



US00D872281S

(12) **United States Design Patent**
Brauteseth

(10) **Patent No.:** **US D872,281 S**

(45) **Date of Patent:** **** Jan. 7, 2020**

(54) **MANDIBULAR ADVANCEMENT DEVICE SET**

(71) Applicant: **Leif Trygvar Brauteseth**, Nelspruit (ZA)

(72) Inventor: **Leif Trygvar Brauteseth**, Nelspruit (ZA)

(**) Term: **15 Years**

(21) Appl. No.: **29/656,407**

(22) Filed: **Jul. 12, 2018**

(30) **Foreign Application Priority Data**

Feb. 7, 2018 (ZA) F2018/00180

(51) **LOC (12) Cl.** **24-02**

(52) **U.S. Cl.**
USPC **D24/181**

(58) **Field of Classification Search**
USPC D24/152, 176, 180-182; D29/108;
128/848, 859-861; 602/902; 433/5-7,
433/18-19

CPC A61F 5/566; A61F 5/56; A61F 2005/563;
A61C 7/08; A61C 7/36

See application file for complete search history.

(56) **References Cited**

U.S. PATENT DOCUMENTS

- 5,829,441 A * 11/1998 Kidd A61F 5/566
128/848
- 6,170,485 B1 * 1/2001 Orrico A61F 5/566
128/848
- 8,215,312 B2 * 7/2012 Garabadian A61F 5/566
128/846
- D685,098 S * 6/2013 Tompkins D24/180
- D720,858 S * 1/2015 Burlon D24/181
- D739,028 S * 9/2015 Stein D24/180

- 9,339,410 B2 * 5/2016 Smith A61F 5/566
- 9,949,868 B2 * 4/2018 Kim A61F 5/566
- 2015/0202075 A1 * 7/2015 Vincent A61C 7/08
128/848
- 2015/0216716 A1 * 8/2015 Anitua Aldecoa A61F 5/566
128/848
- 2017/0000643 A1 * 1/2017 Gelb A61F 5/566

* cited by examiner

Primary Examiner — Wan Laymon

(74) *Attorney, Agent, or Firm* — Haugen Law Firm PLLP

(57) **CLAIM**

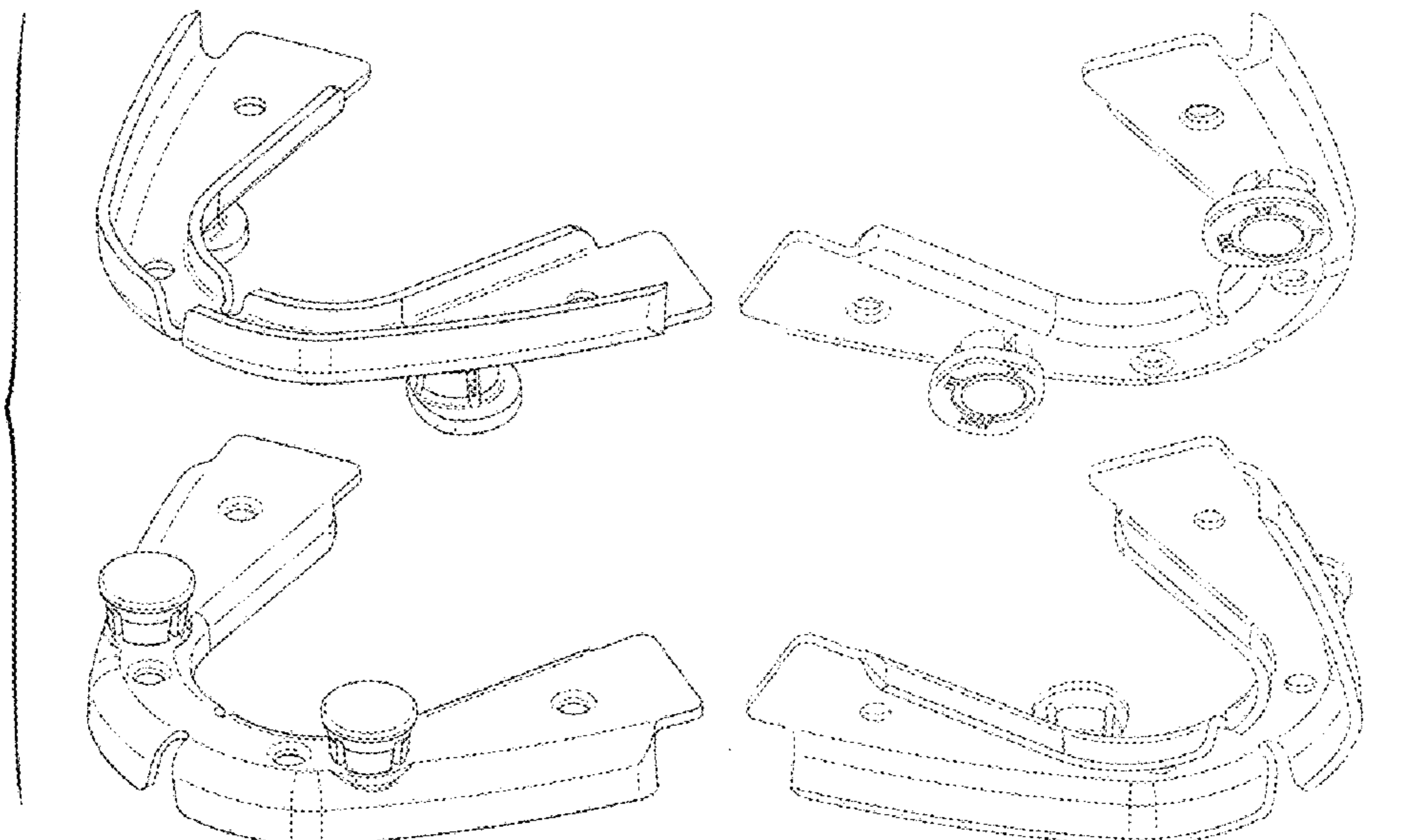
The ornamental design for a mandibular advancement device set, as shown and described.

DESCRIPTION

FIG. 1 is a front upper perspective view of the mandibular advancement device set of the present invention;
 FIG. 2 is a rear lower perspective view of the mandibular advancement device set of the present invention;
 FIG. 3 is a front elevational view of the mandibular advancement device set of the present invention;
 FIG. 4 is a rear elevational view of the mandibular advancement device set of the present invention;
 FIG. 5 is a left side elevational view of the mandibular advancement device set of the present invention;
 FIG. 6 is a right side elevational view of the mandibular advancement device set of the present invention;
 FIG. 7 is a top plan view of the mandibular advancement device set of the present invention; and,
 FIG. 8 is a bottom plan view of the mandibular advancement device set of the present invention.

The design for the mandibular advancement device set is directed to the collective appearance of the articles shown. Brackets are shown in the drawings to indicate the collective nature of the design for the mandibular advancement device set of the present invention.

1 Claim, 8 Drawing Sheets



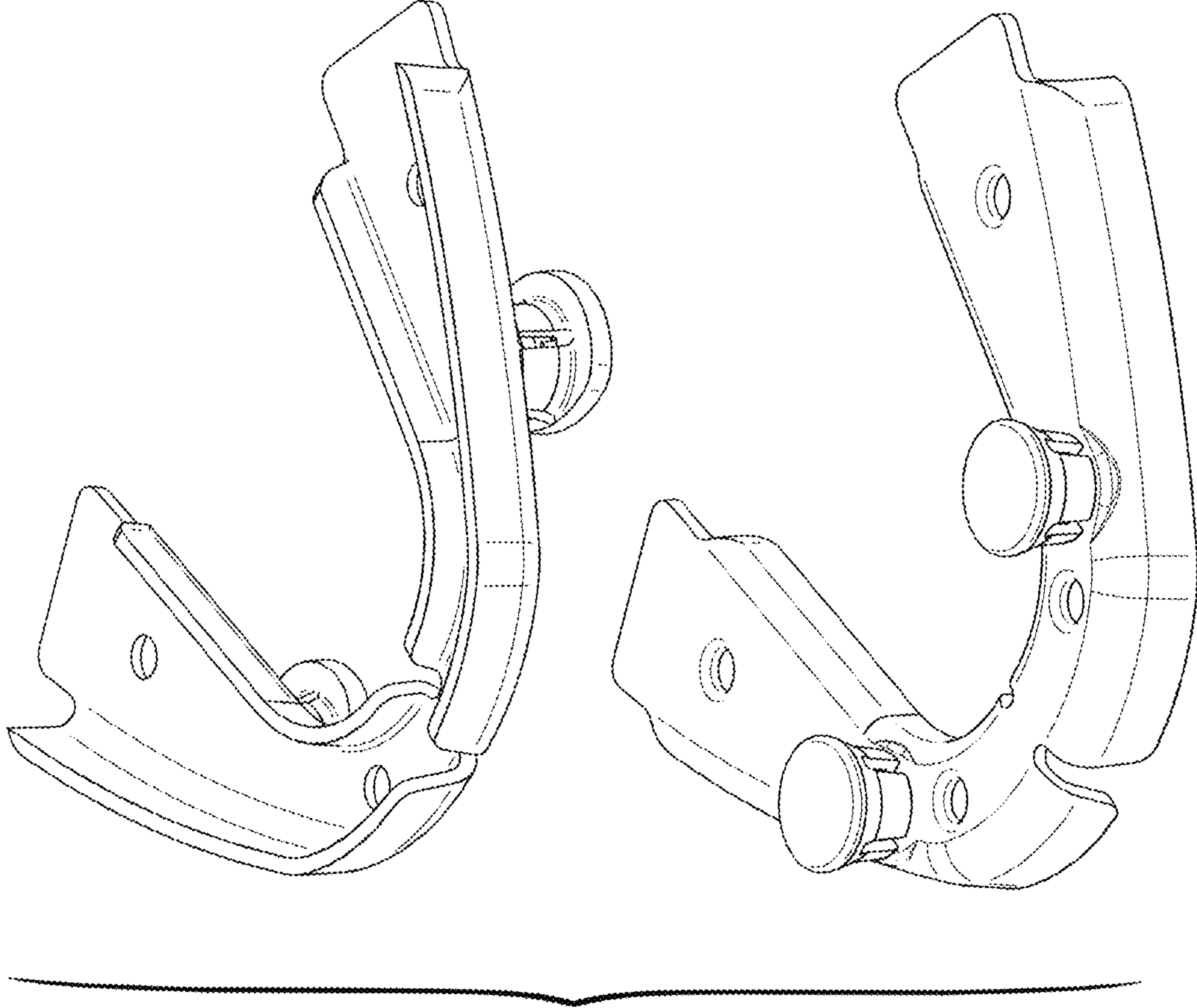


FIG. 1

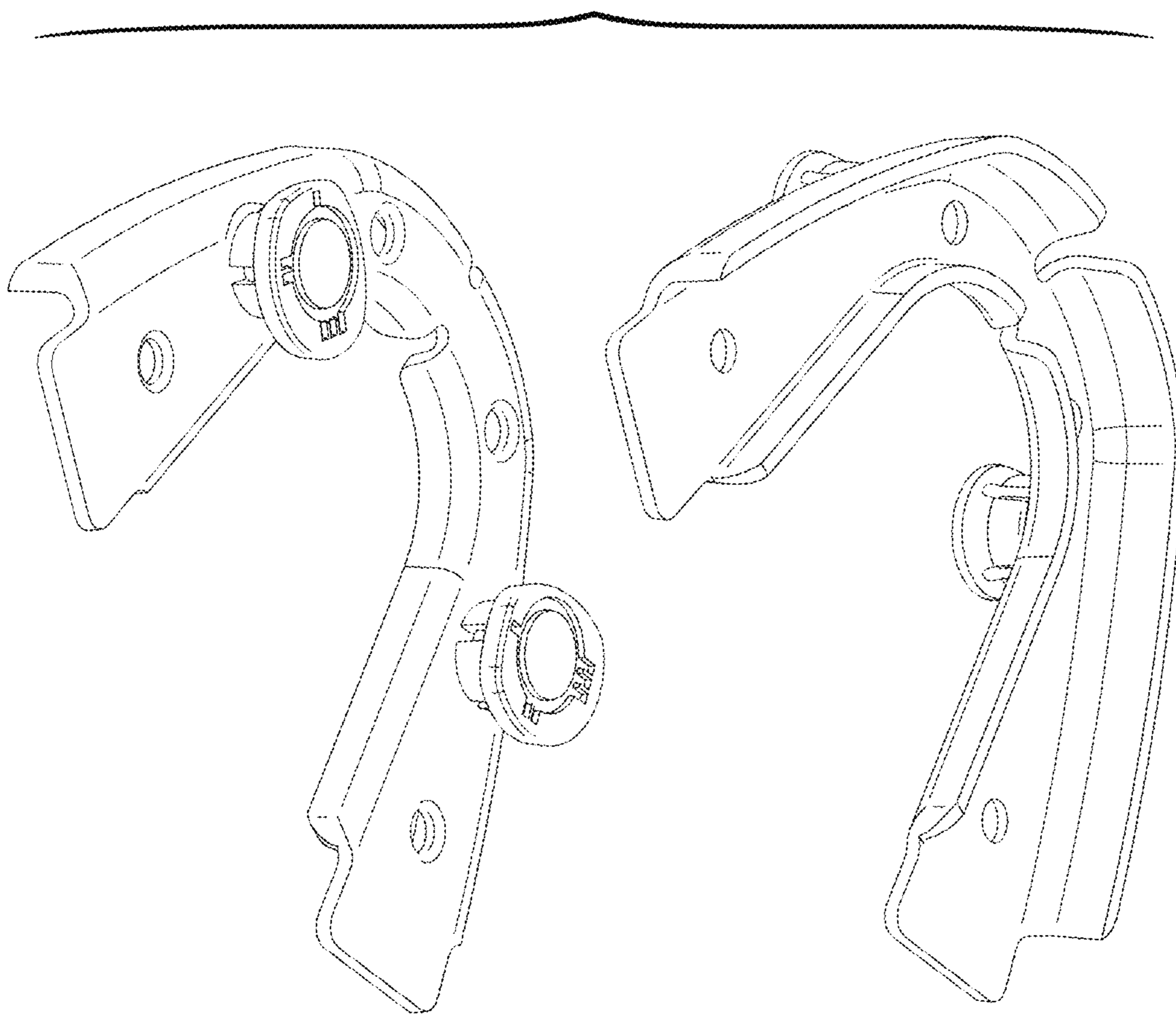


FIG. 2

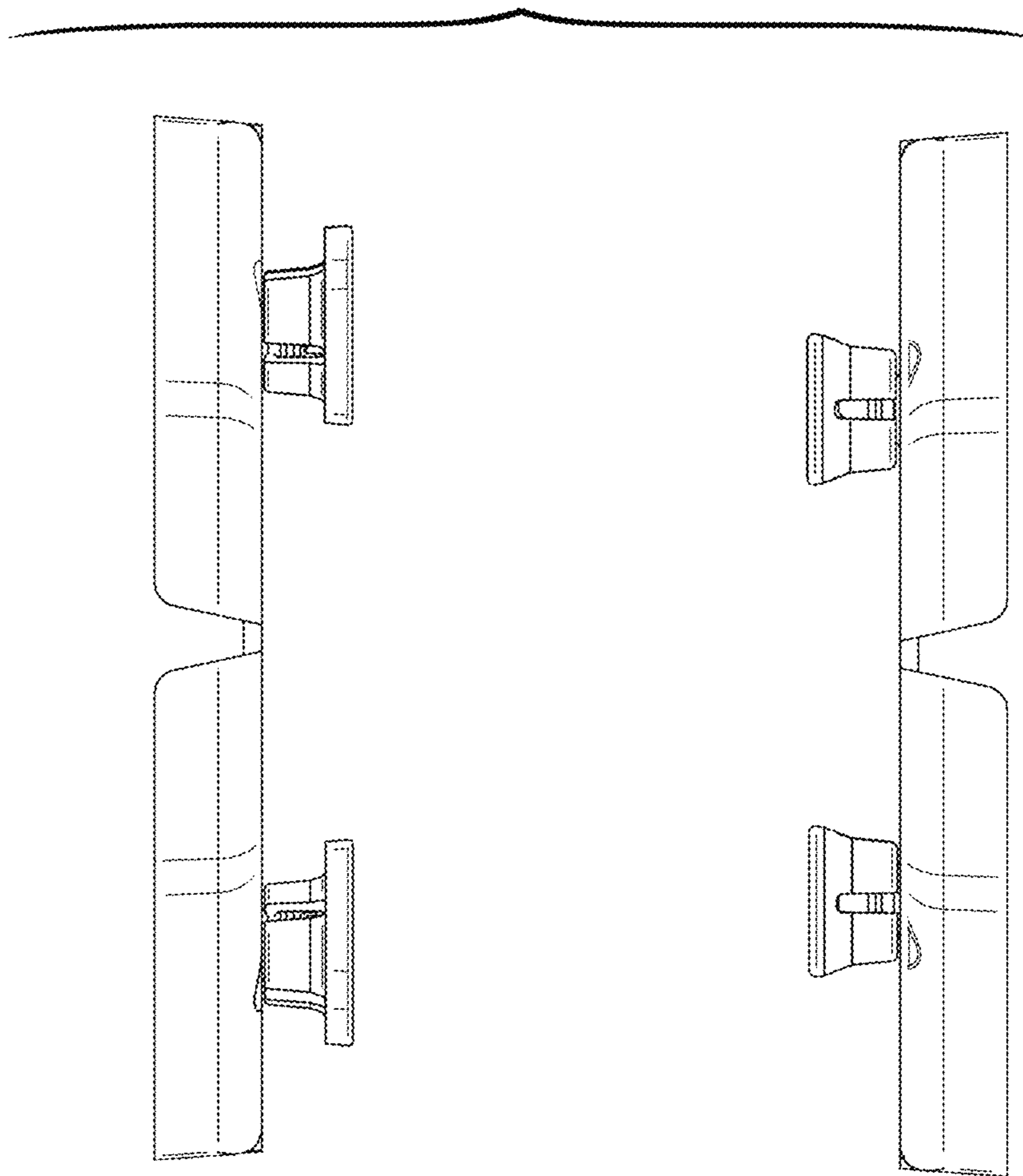


FIG. 3

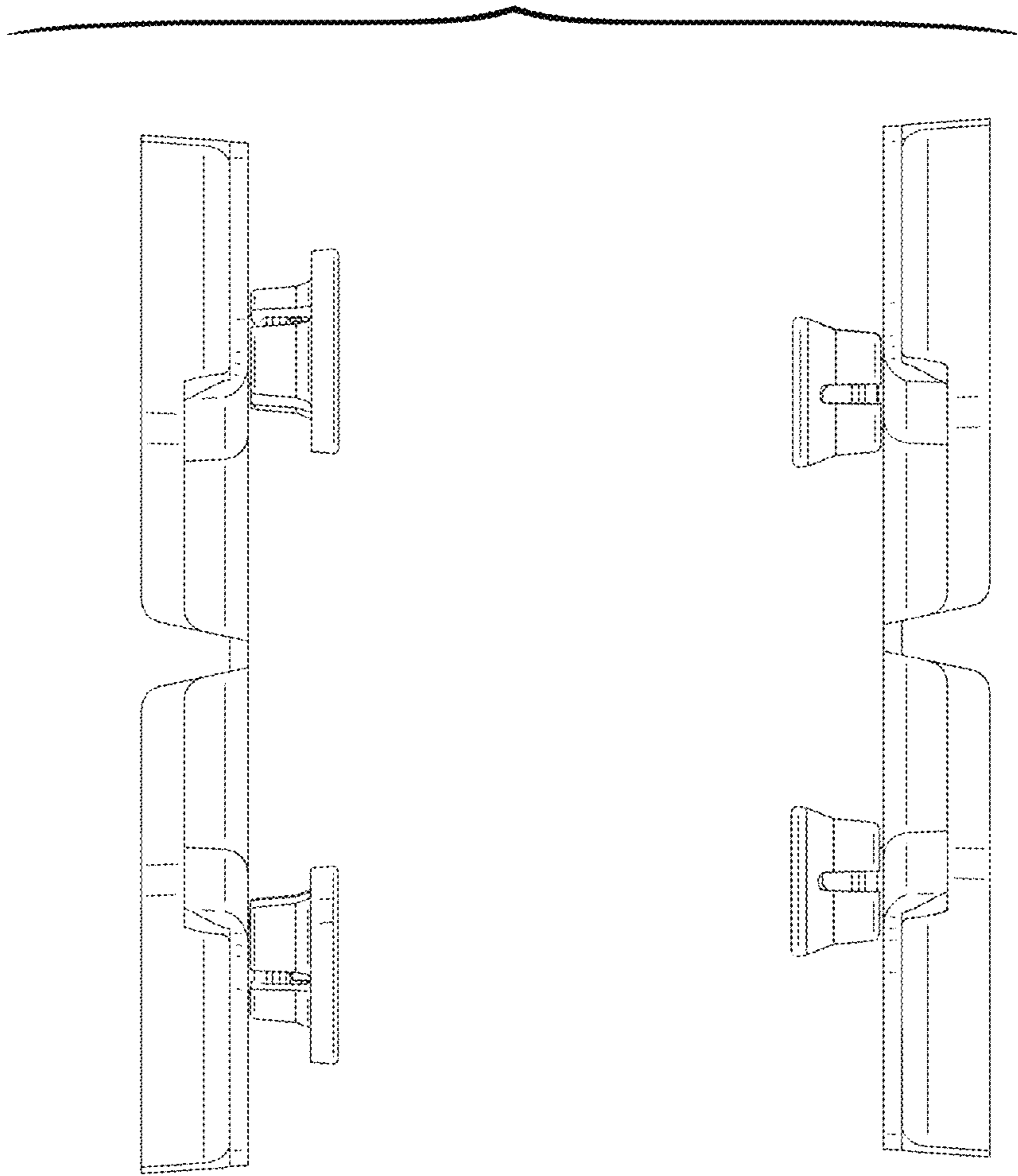


FIG. 4

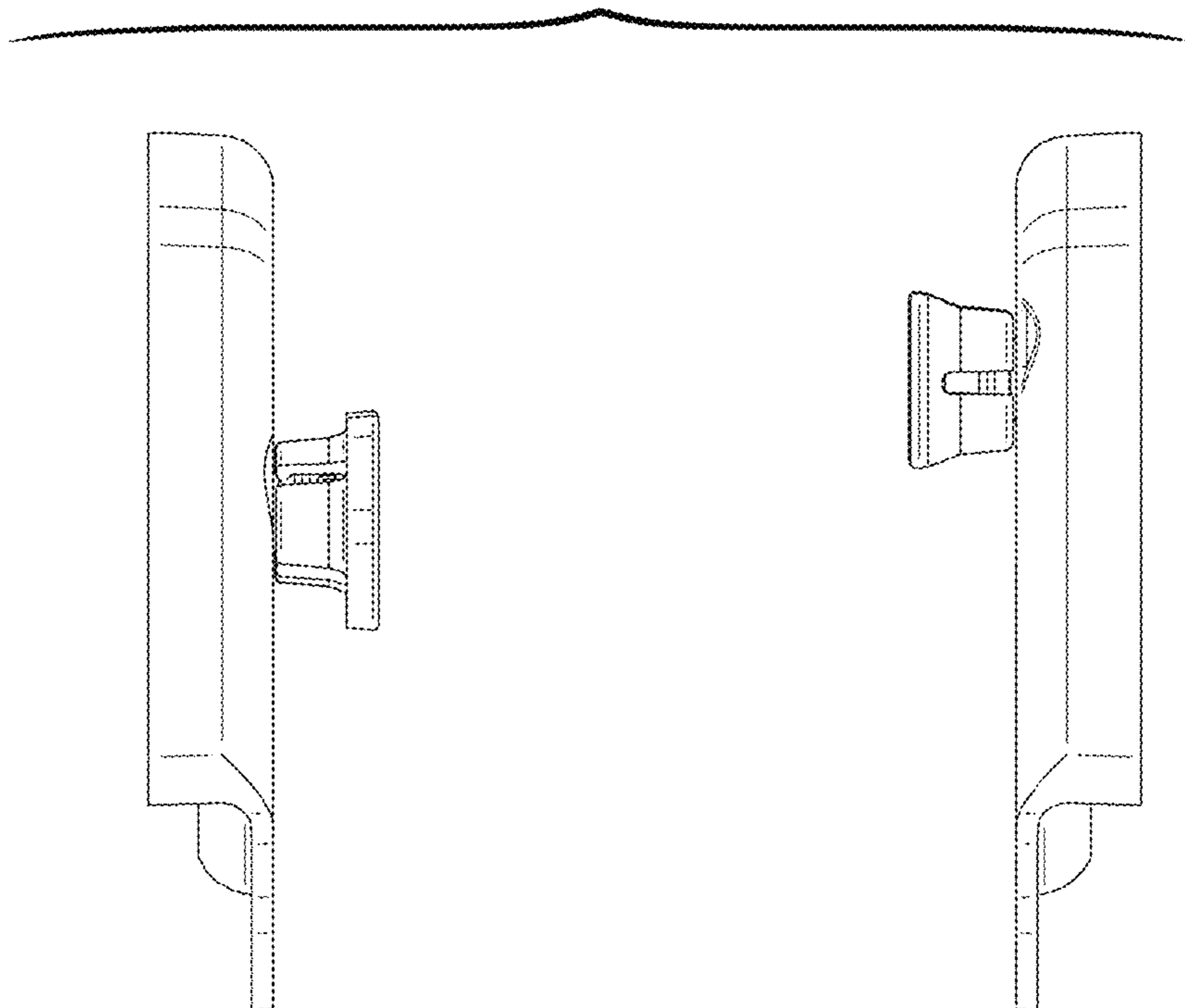


FIG. 5

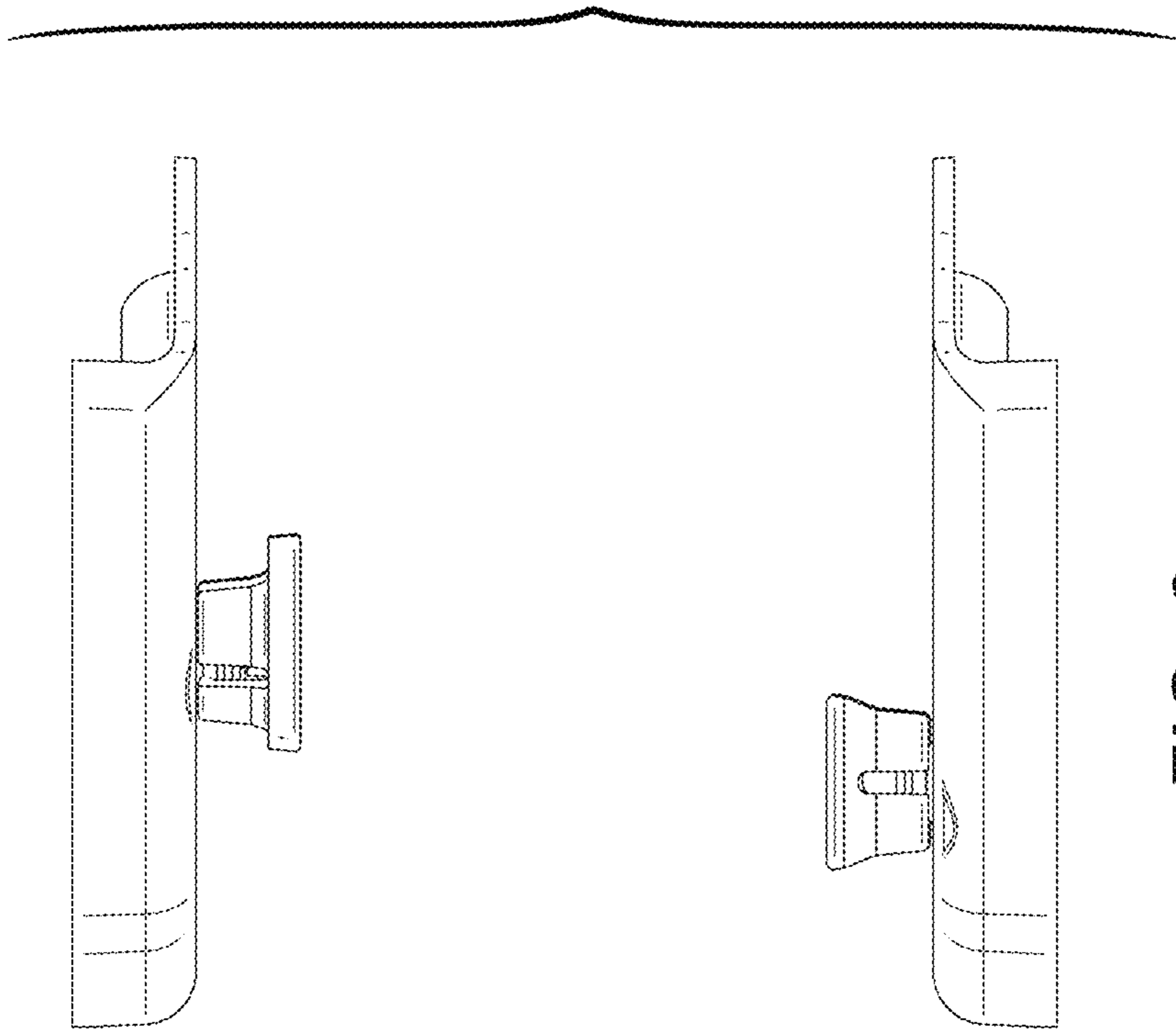


FIG. 6

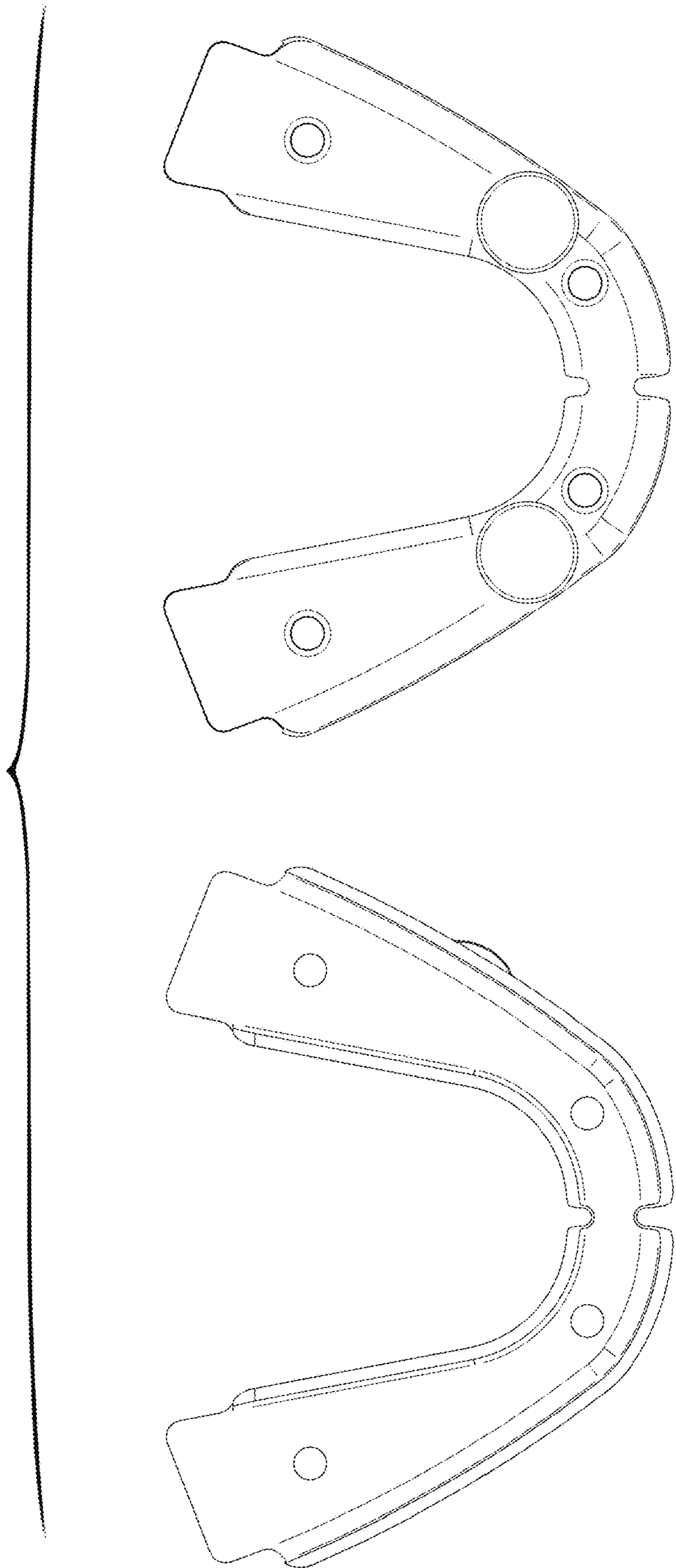


FIG. 7

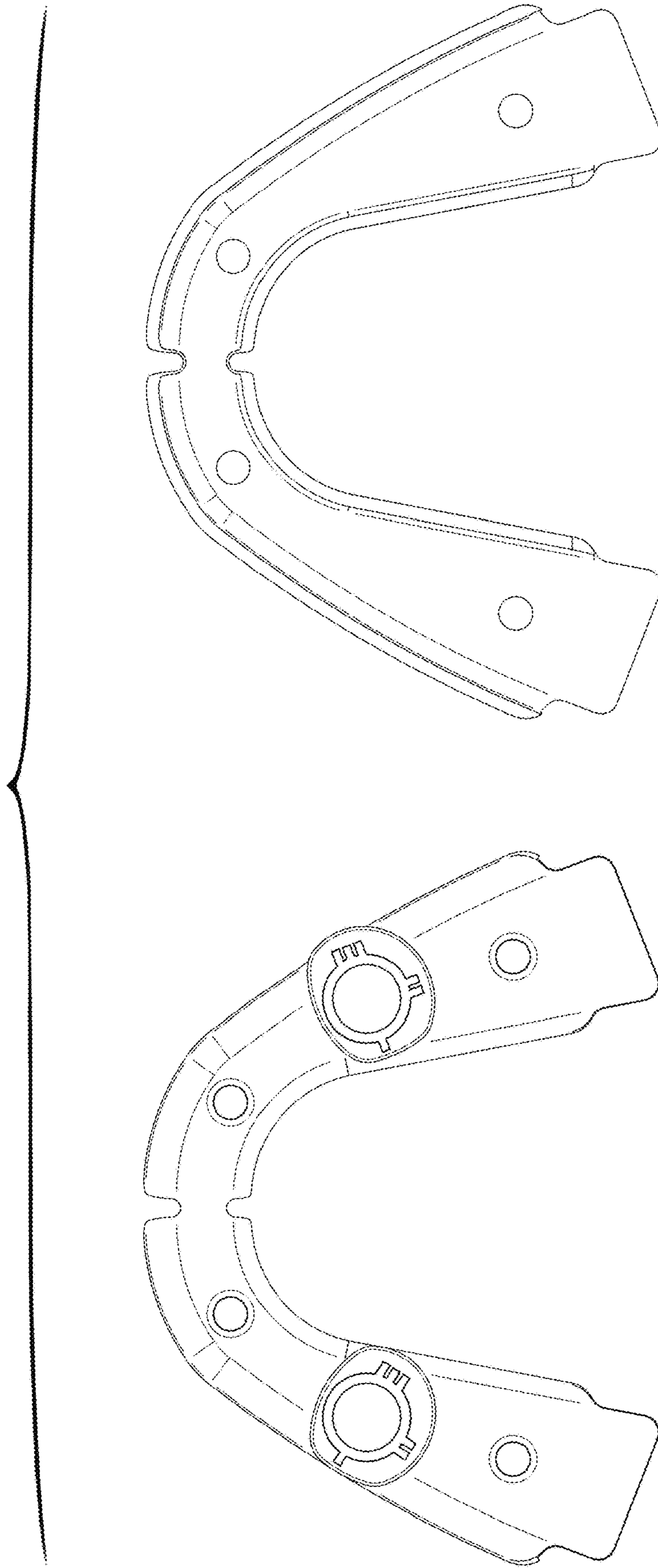


FIG. 8