



US00D872277S

(12) **United States Design Patent** (10) **Patent No.:** **US D872,277 S**
Frenkler et al. (45) **Date of Patent:** **** Jan. 7, 2020**

(54) **DISPLAY PANEL OF MEDICAL X-RAY PHOTOGRAPHING APPARATUS WITH GRAPHICAL USER INTERFACE**

CPC .. A61B 5/05; A61B 5/055; A61B 6/03; A61B 6/035; A61B 6/4405; A61B 6/4411; A61B 6/4435; A61B 6/4441; A61B 6/4447; A61B 6/14; G06T 2207/30036
See application file for complete search history.

(71) Applicant: **J. MORITA MFG. CORP.**, Kyoto-shi, Kyoto (JP)

(56) **References Cited**

(72) Inventors: **Fritz Frenkler**, Munich (DE); **Anette Ponholzer**, Munich (DE); **Junji Kawabe**, Munich (DE)

U.S. PATENT DOCUMENTS

(73) Assignee: **J. MORITA MFG. CORP.**, Kyoto (JP)

D661,313	S	*	6/2012	Nenoki	D14/487
D664,554	S	*	7/2012	Nenoki	D14/487
D824,935	S	*	8/2018	Boutoussov	D14/486
2002/0122537	A1	*	9/2002	Yoshimura	A61B 6/0478 378/208
2011/0064188	A1	*	3/2011	Suzuki	A61B 6/14 378/21

(**) Term: **15 Years**

(Continued)

(21) Appl. No.: **29/656,749**

Primary Examiner — Anhdao Doan
(74) *Attorney, Agent, or Firm* — Oliff PLC

(22) Filed: **Jul. 16, 2018**

(57) **CLAIM**

Related U.S. Application Data

The ornamental design for a display panel of medical X-ray photographing apparatus with graphical user interface, as shown and described.

(62) Division of application No. 29/600,722, filed on Apr. 14, 2017, now Pat. No. Des. 839,427.

DESCRIPTION

(30) **Foreign Application Priority Data**

FIG. 1 is a front view of a display panel of medical X-ray photographing apparatus with graphical user interface of the present design;
FIG. 2 is a rear view thereof;
FIG. 3 is a left side view thereof;
FIG. 4 is a right side view thereof;
FIG. 5 is a top view thereof;
FIG. 6 is a bottom view thereof; and,
FIG. 7 is an enlarged view of 7-7 portion of FIG. 3 thereof.
The broken lines shown in the drawings represent portions of display panel of medical X-ray photographing apparatus with graphical user interface that form no part of the claimed design. The long dashed and short dashed lines indicate only boundaries of the claimed subject matter and form no part of the claimed design.

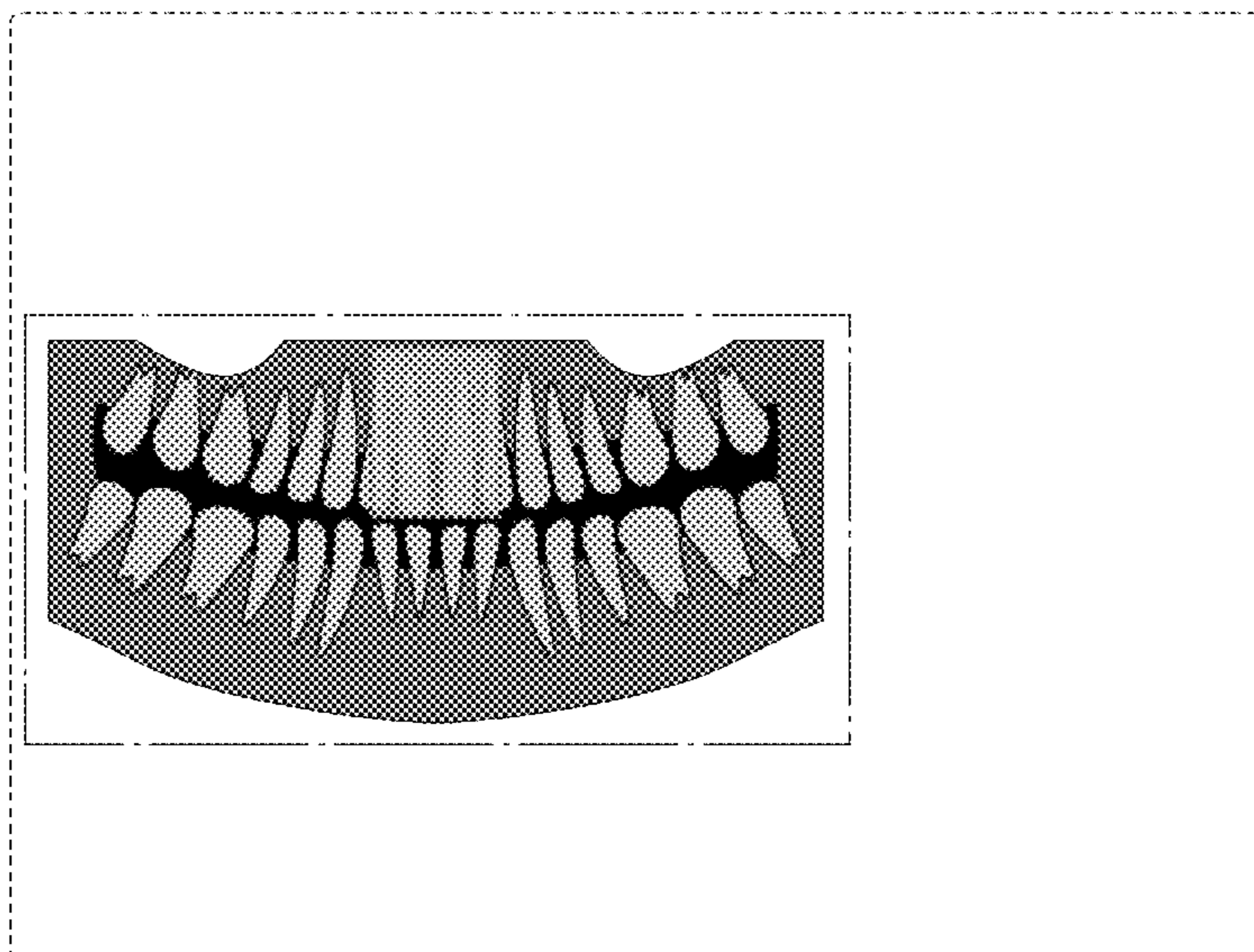
Oct. 14, 2016	(JP)	2016-022437
Oct. 14, 2016	(JP)	2016-022438
Oct. 14, 2016	(JP)	2016-022439
Oct. 14, 2016	(JP)	2016-022440
Oct. 14, 2016	(JP)	2016-022441
Oct. 14, 2016	(JP)	2016-022442
Oct. 14, 2016	(JP)	2016-022443
Oct. 14, 2016	(JP)	2016-022444

(51) **LOC (12) Cl.** **24-01**

(52) **U.S. Cl.**
USPC **D24/158**; D14/485

(58) **Field of Classification Search**
USPC D24/158-161, 185, 186, 107, 152, 176, D24/177; D14/485, 486, 487

1 Claim, 6 Drawing Sheets



(56)

References Cited

U.S. PATENT DOCUMENTS

2013/0108011 A1* 5/2013 Sadakane A61B 6/03
378/19
2015/0351638 A1* 12/2015 Amato A61B 6/14
433/215
2015/0359501 A1* 12/2015 Eronen A61B 6/032
378/62
2018/0103920 A1* 4/2018 Ito A61B 6/032
2018/0325475 A1* 11/2018 Choi A61B 6/463

* cited by examiner

FIG. 1

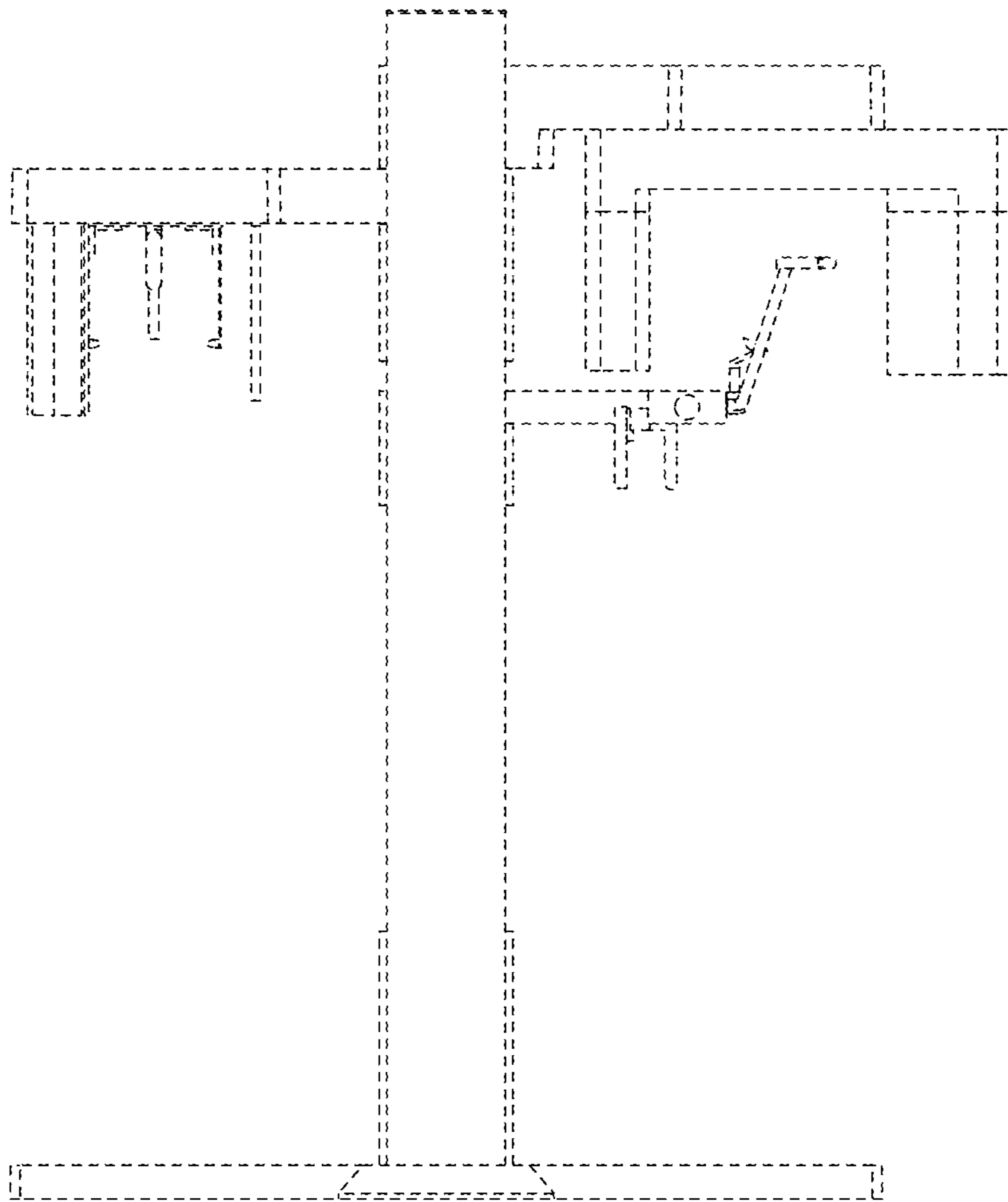


FIG. 2

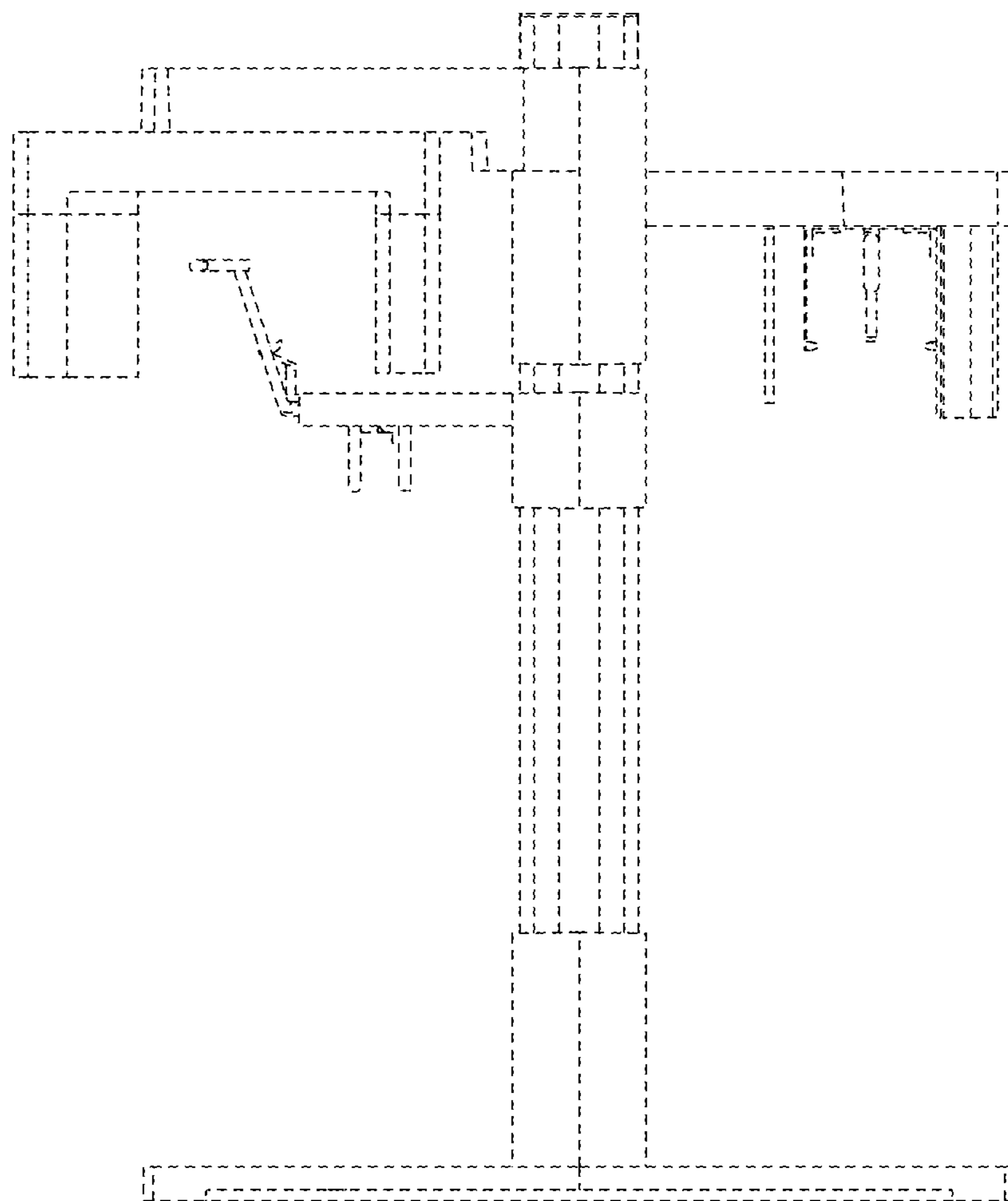


FIG. 3

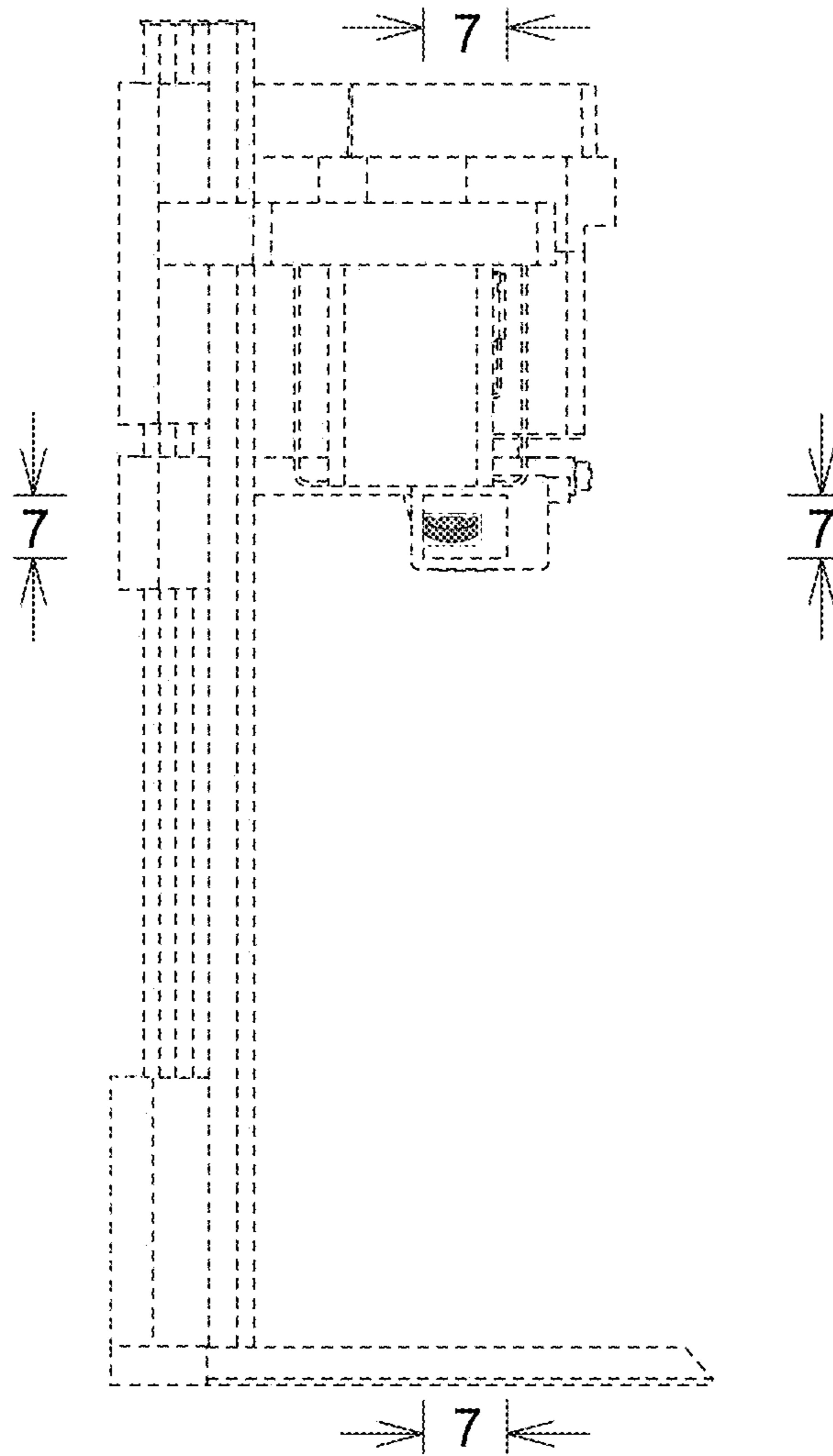


FIG. 4

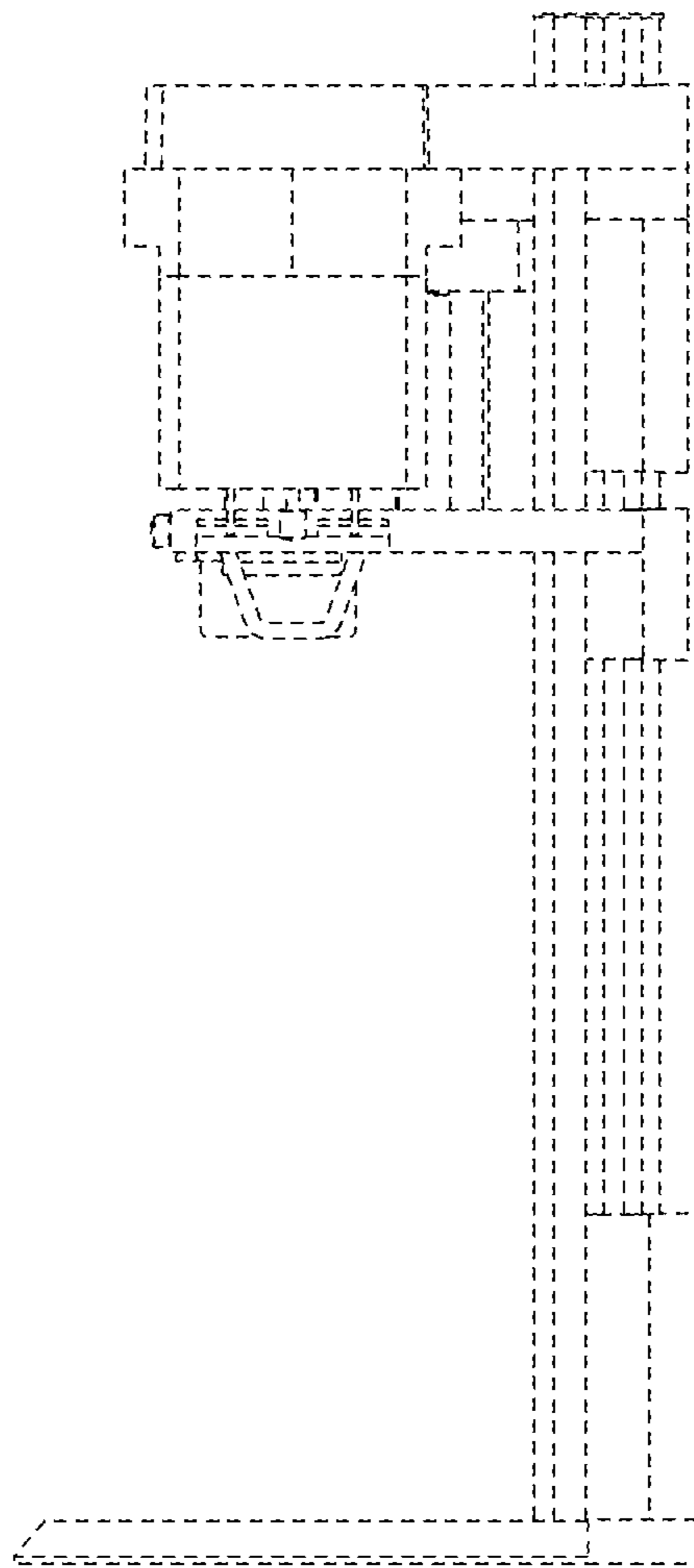


FIG. 5

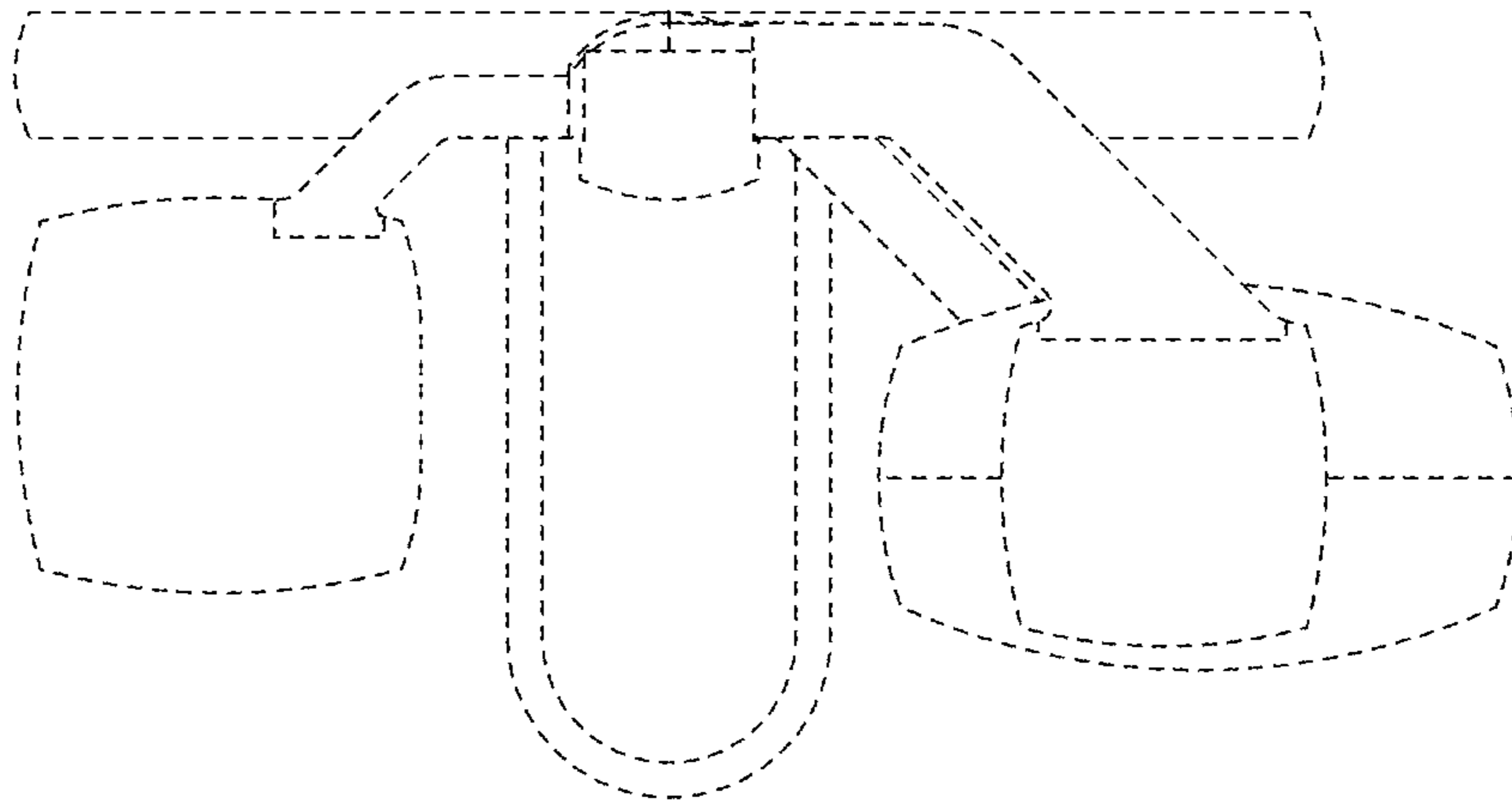


FIG. 6

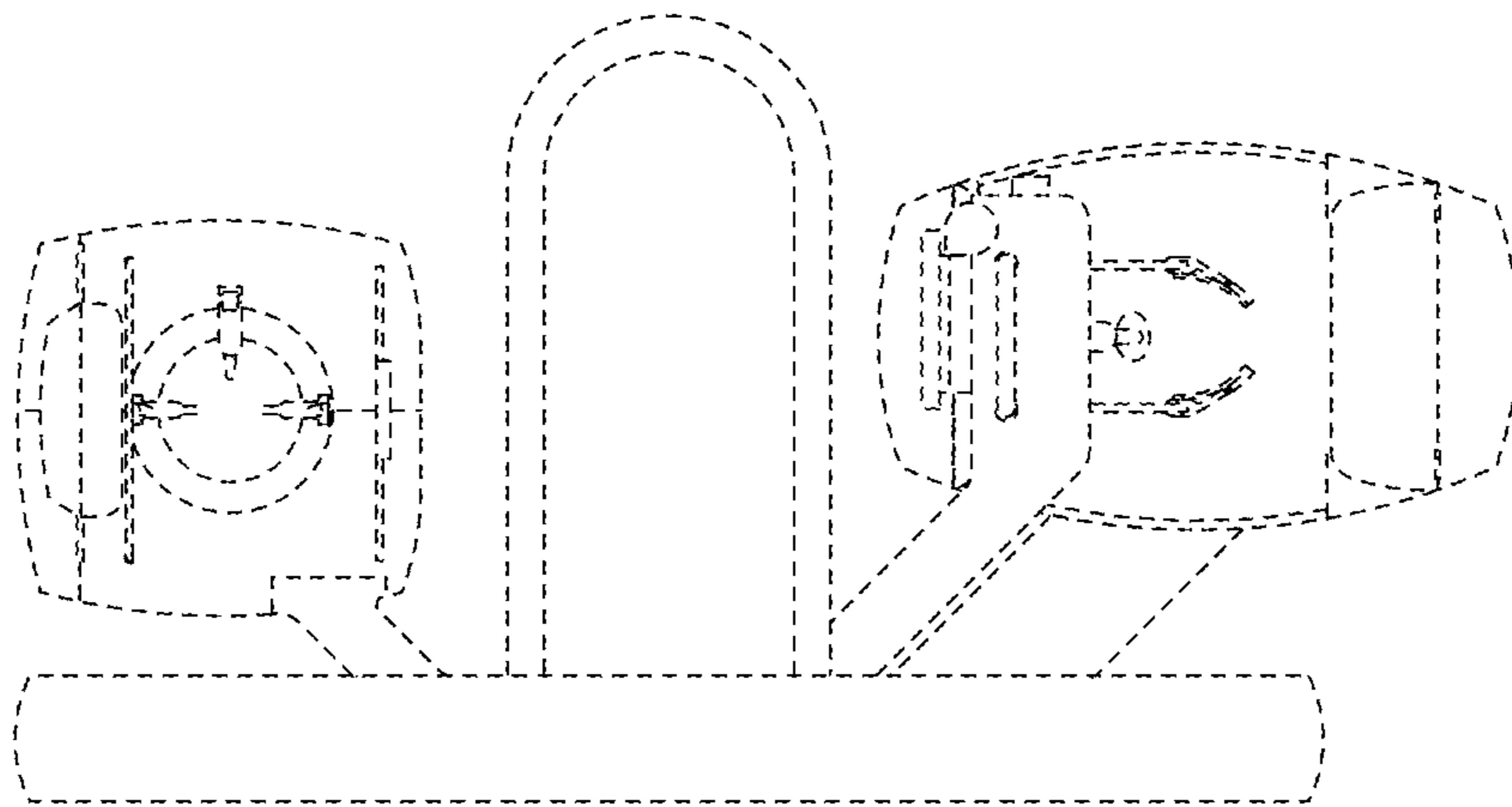


FIG. 7

