



US00D872276S

(12) **United States Design Patent** (10) **Patent No.:** **US D872,276 S**  
**Frenkler et al.** (45) **Date of Patent:** **\*\* Jan. 7, 2020**

(54) **MEDICAL X-RAY PHOTOGRAPHING APPARATUS**

(71) Applicant: **J. MORITA MFG. CORP.**, Kyoto-shi, Kyoto (JP)

(72) Inventors: **Fritz Frenkler**, Munich (DE); **Anette Ponholzer**, Munich (DE); **Junji Kawabe**, Munich (DE)

(73) Assignee: **J. MORITA MFG. CORP.**, Kyoto (JP)

(\*\*) Term: **15 Years**

(21) Appl. No.: **29/656,721**

(22) Filed: **Jul. 16, 2018**

**Related U.S. Application Data**

(62) Division of application No. 29/600,722, filed on Apr. 14, 2017, now Pat. No. Des. 839,427.

(30) **Foreign Application Priority Data**

Oct. 14, 2016 (JP) ..... 2016-022437  
Oct. 14, 2016 (JP) ..... 2016-022438  
Oct. 14, 2016 (JP) ..... 2016-022439  
Oct. 14, 2016 (JP) ..... 2016-022440  
Oct. 14, 2016 (JP) ..... 2016-022441  
Oct. 14, 2016 (JP) ..... 2016-022442  
Oct. 14, 2016 (JP) ..... 2016-022443  
Oct. 14, 2016 (JP) ..... 2016-022444

(51) **LOC (12) Cl.** ..... **24-01**

(52) **U.S. Cl.**  
USPC ..... **D24/158**

(58) **Field of Classification Search**  
USPC ..... D24/158-161, 185, 186, 107, 152, 176, D24/177  
CPC .. A61B 5/05; A61B 5/055; A61B 6/03; A61B 6/035; A61B 6/4405; A61B 6/4411; A61B 6/4435; A61B 6/4441; A61B 6/4447; A61B 6/14; G06T 2207/30036

See application file for complete search history.

(56) **References Cited**

U.S. PATENT DOCUMENTS

D272,385 S \* 1/1984 Nakano ..... D24/158  
D571,471 S \* 6/2008 Stockl ..... D24/158  
D604,414 S \* 11/2009 Otsuka ..... D24/158  
D604,415 S \* 11/2009 Otsuka ..... D24/158  
D799,045 S \* 10/2017 Mattiuzzo ..... D24/158  
D839,427 S \* 1/2019 Frenkler ..... D24/158  
2006/0227938 A1 \* 10/2006 Walker ..... A61B 6/4411  
378/195  
2007/0030951 A1 \* 2/2007 Park ..... A61B 6/14  
378/38  
2015/0359501 A1 \* 12/2015 Eronen ..... A61B 6/032  
378/62  
2017/0007191 A1 \* 1/2017 Zoccatelli ..... A61B 6/04

\* cited by examiner

*Primary Examiner* — Anhdao Doan

(74) *Attorney, Agent, or Firm* — Oliff PLC

(57) **CLAIM**

The ornamental design for a medical X-ray photographing apparatus, as shown and described.

**DESCRIPTION**

FIG. 1 is a front view of a medical X-ray photographing apparatus of the present design;  
FIG. 2 is a rear view thereof;  
FIG. 3 is a left side view thereof;  
FIG. 4 is a right side view thereof;  
FIG. 5 is a top view thereof;  
FIG. 6 is a bottom view thereof;  
FIG. 7 is a perspective view 1 thereof; and,  
FIG. 8 is a perspective view 2 thereof.  
The broken lines shown in the drawings represent portions of the medical X-ray photographing apparatus that form no part of the claimed design.

**1 Claim, 7 Drawing Sheets**

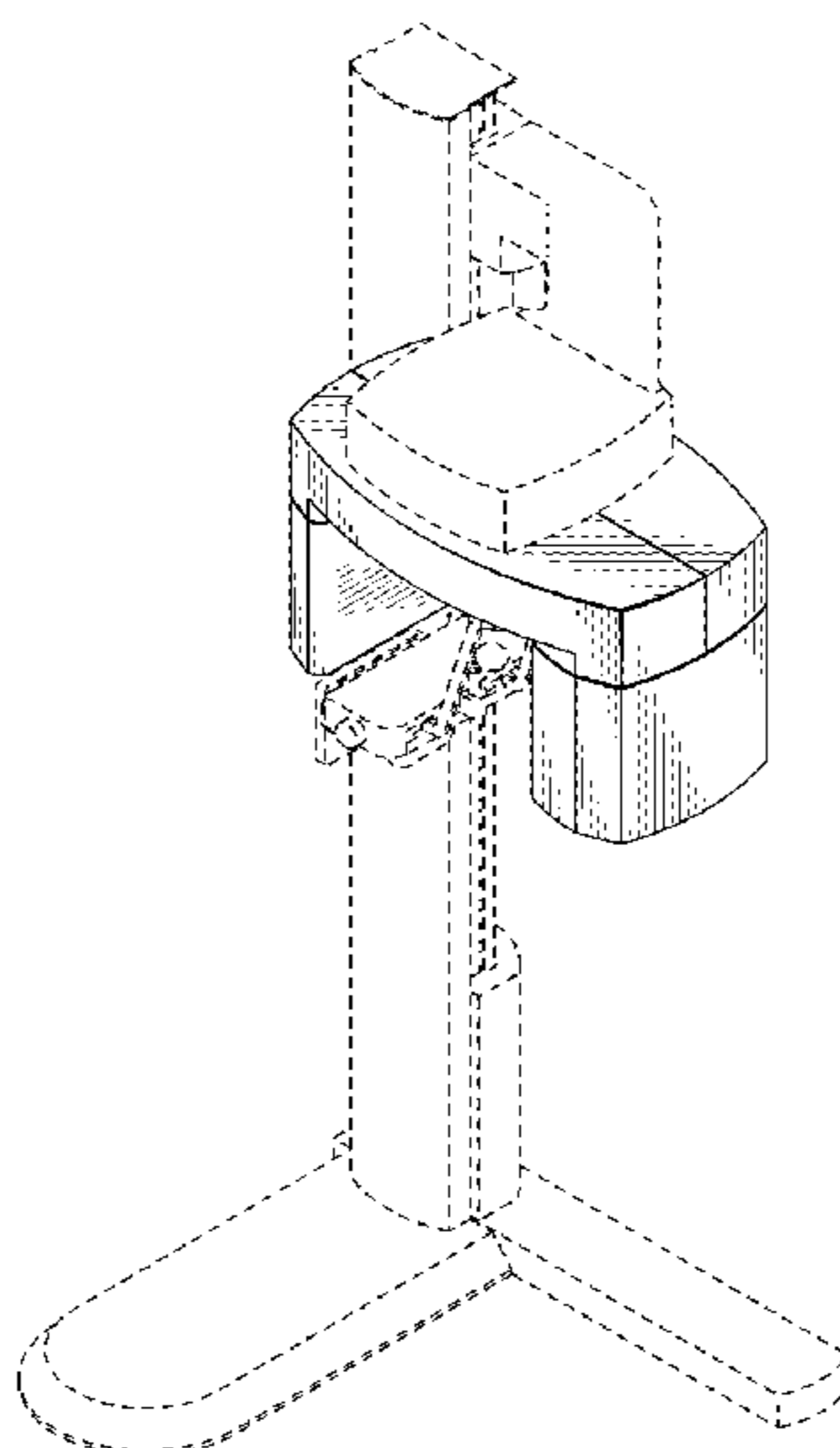


FIG. 1

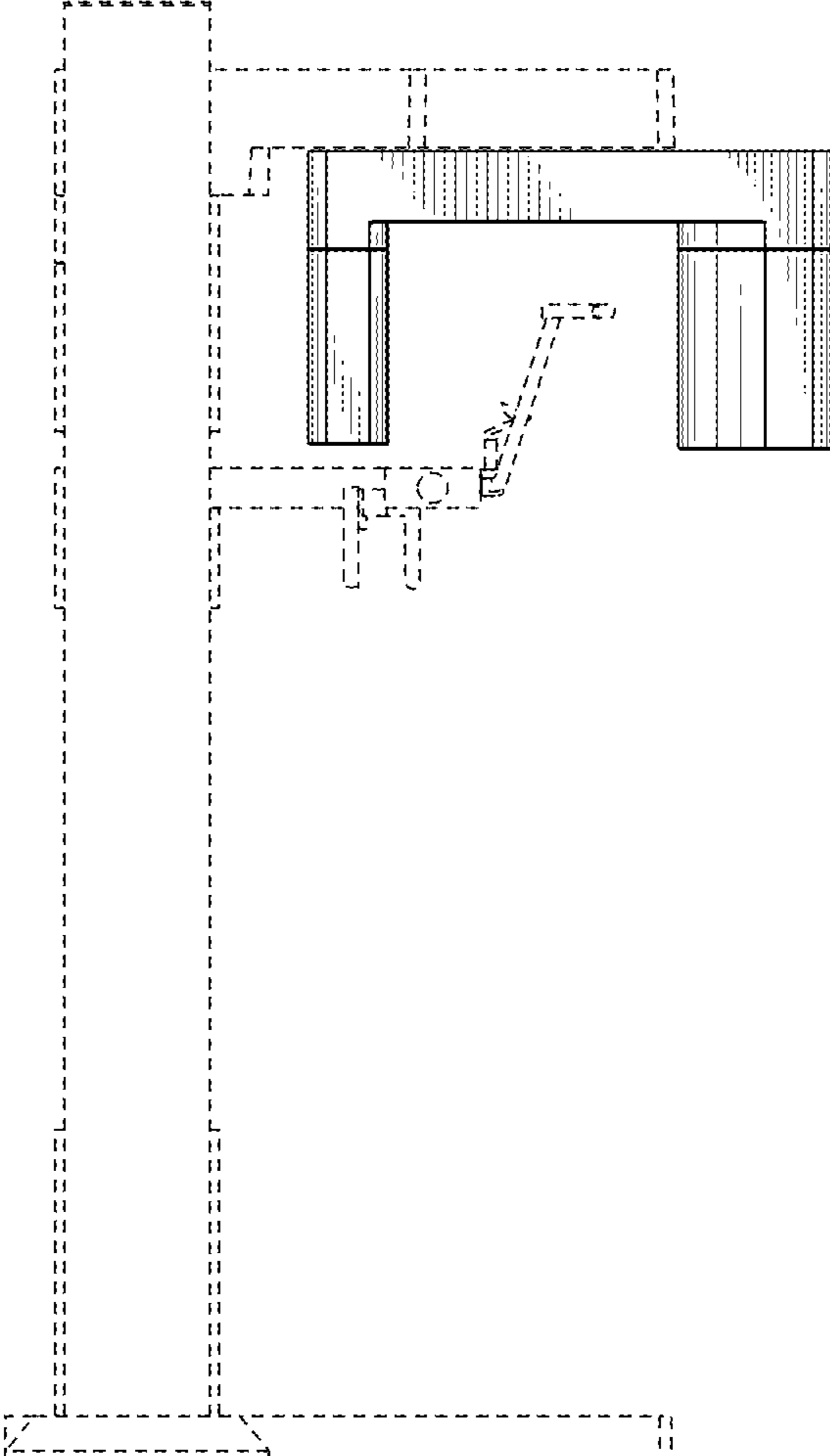


FIG. 2

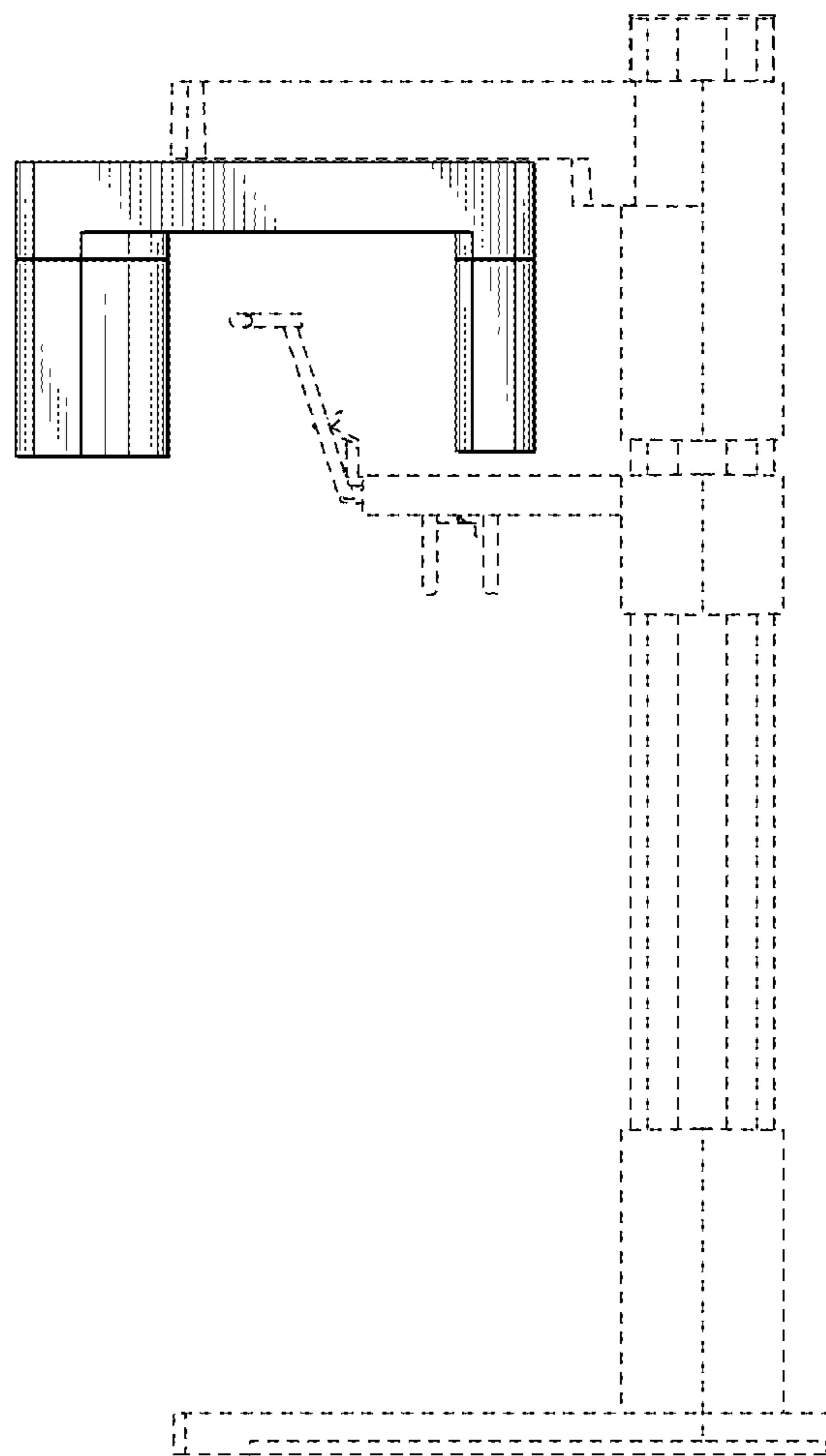


FIG. 3

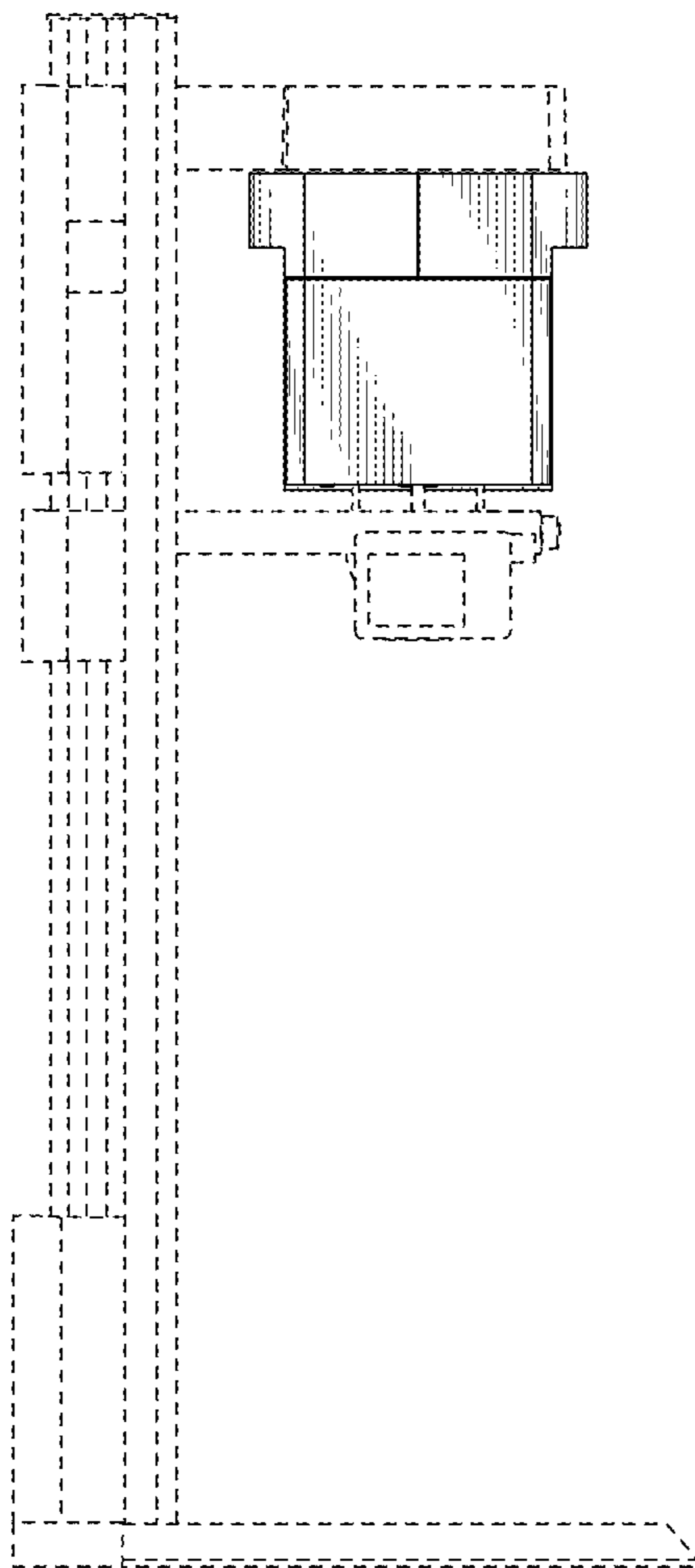


FIG. 4

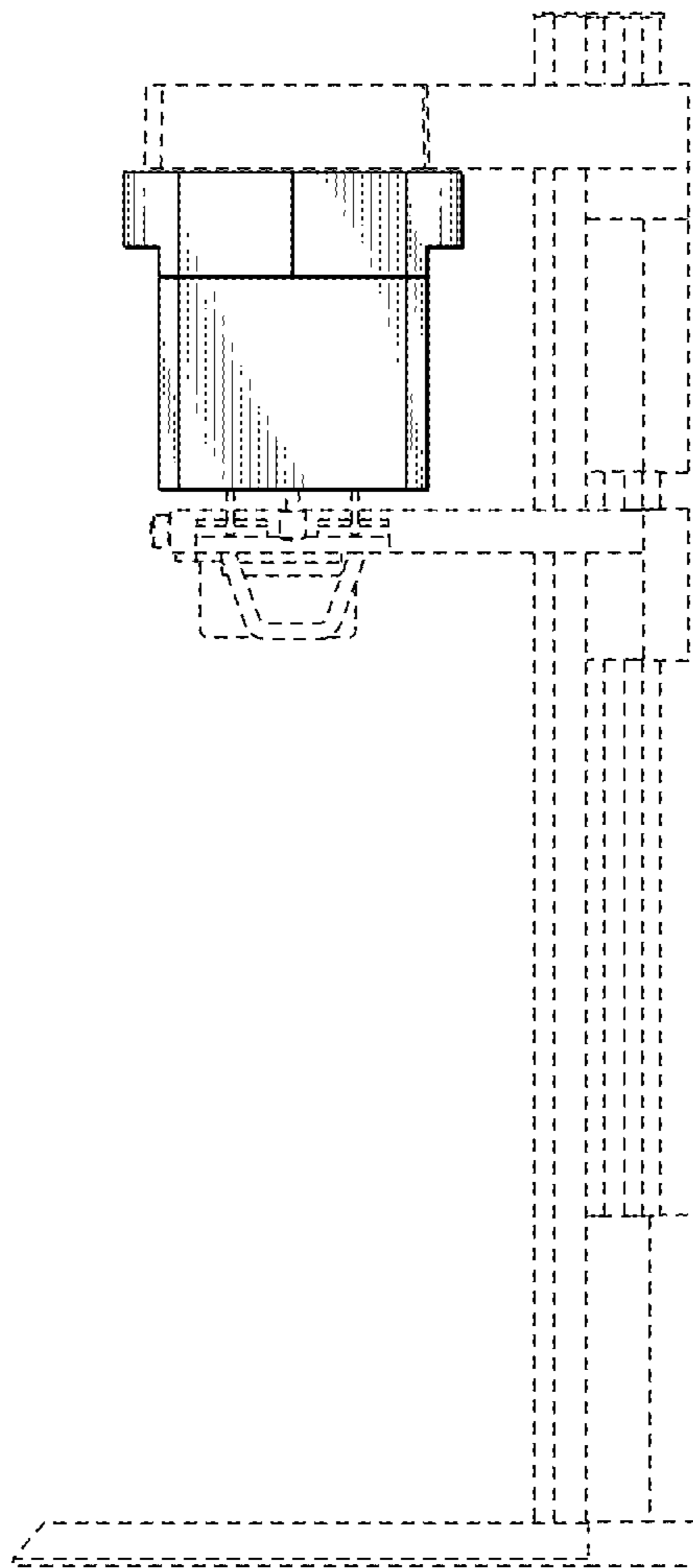


FIG. 5

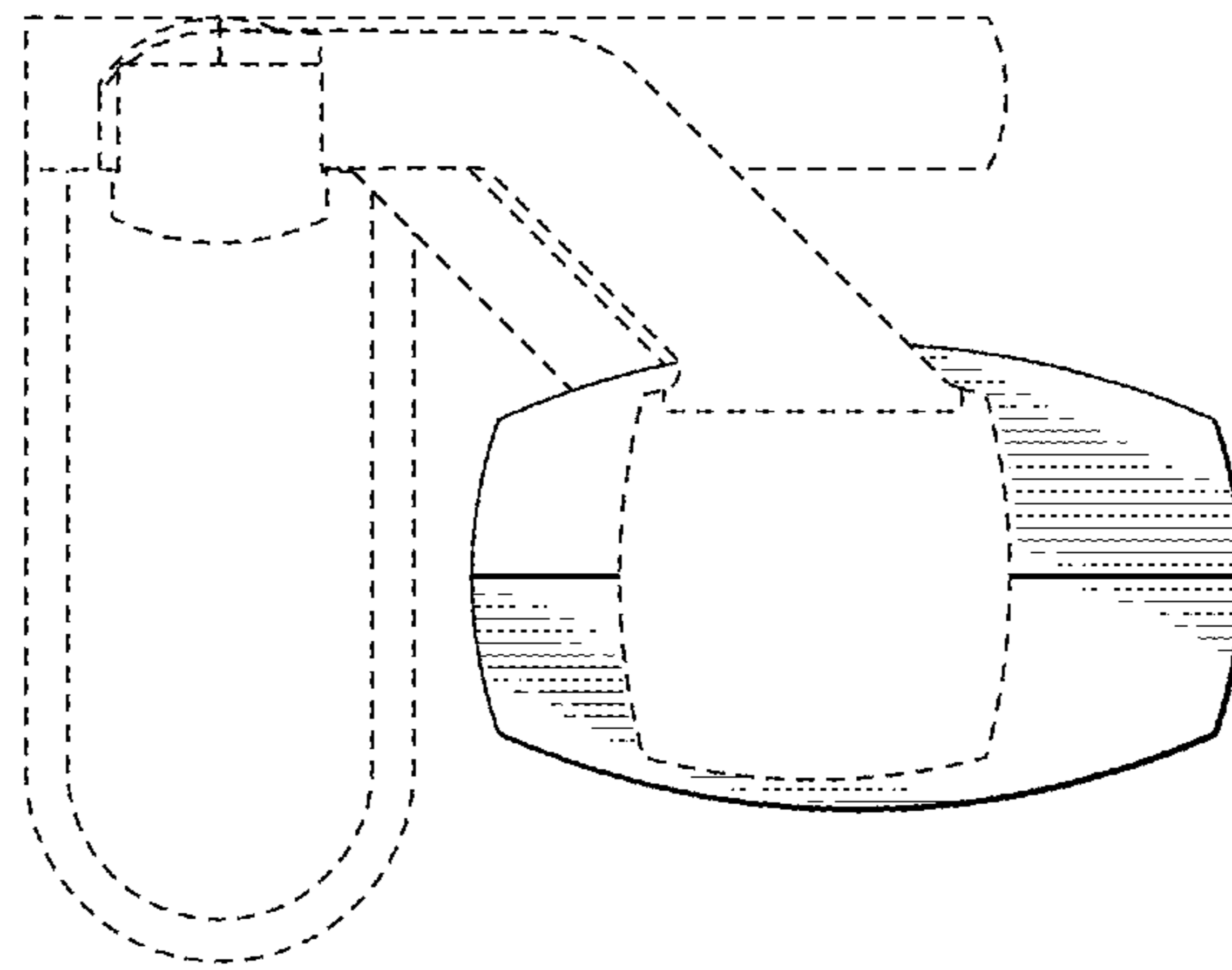


FIG. 6

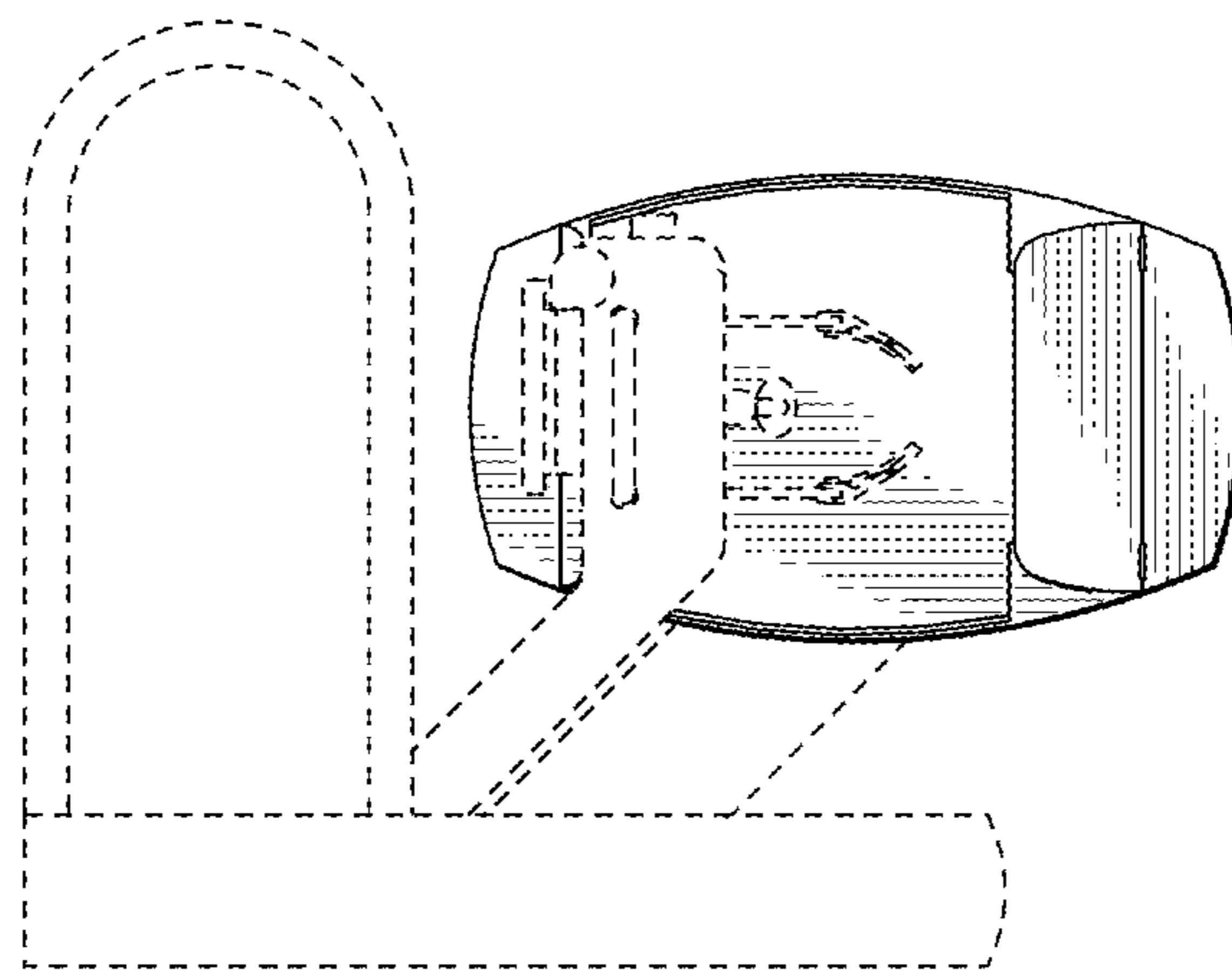


FIG. 7

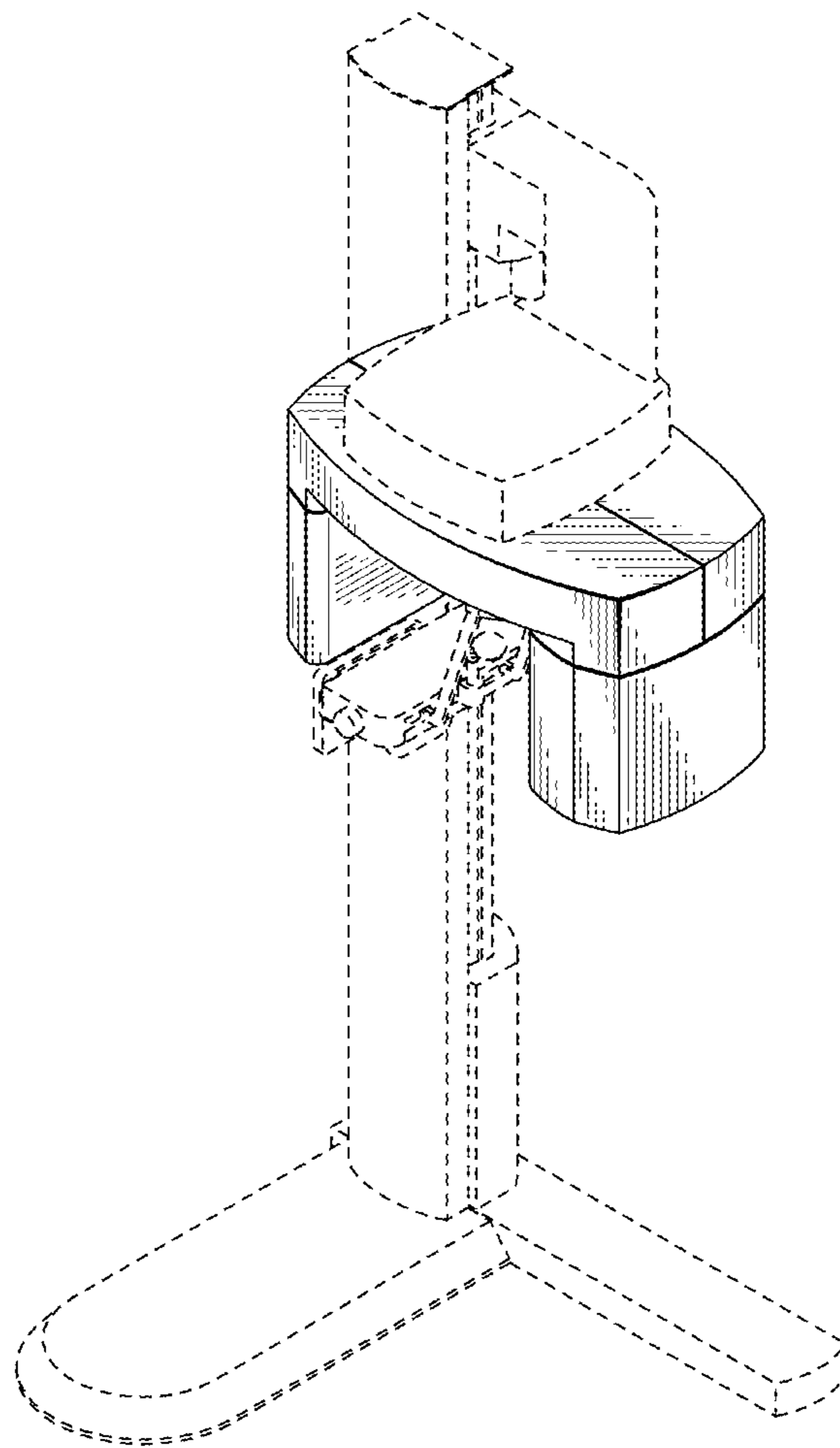


FIG. 8

