



US00D872272S

(12) **United States Design Patent** (10) **Patent No.:** **US D872,272 S**
Frenkler et al. (45) **Date of Patent:** **** Jan. 7, 2020**

(54) **MEDICAL X-RAY PHOTOGRAPHING APPARATUS**

(71) Applicant: **J. MORITA MFG. CORP.**, Kyoto-shi, Kyoto (JP)

(72) Inventors: **Fritz Frenkler**, Munich (DE); **Anette Ponholzer**, Munich (DE); **Junji Kawabe**, Munich (DE)

(73) Assignee: **J. MORITA MFG. CORP.**, Kyoto (JP)

(**) Term: **15 Years**

(21) Appl. No.: **29/656,706**

(22) Filed: **Jul. 16, 2018**

Related U.S. Application Data

(62) Division of application No. 29/600,722, filed on Apr. 14, 2017, now Pat. No. Des. 839,427.

(30) **Foreign Application Priority Data**

Oct. 14, 2016	(JP)	2016-022437
Oct. 14, 2016	(JP)	2016-022438
Oct. 14, 2016	(JP)	2016-022439
Oct. 14, 2016	(JP)	2016-022440
Oct. 14, 2016	(JP)	2016-022441
Oct. 14, 2016	(JP)	2016-022442
Oct. 14, 2016	(JP)	2016-022443
Oct. 14, 2016	(JP)	2016-022444

(51) **LOC (12) Cl.** **24-01**

(52) **U.S. Cl.**
USPC **D24/158**

(58) **Field of Classification Search**
USPC D24/158-161, 185, 186, 107, 152, 176, D24/177
CPC .. A61B 5/05; A61B 5/055; A61B 6/03; A61B 6/035; A61B 6/4405; A61B 6/4411; A61B 6/4435; A61B 6/4441; A61B 6/4447; A61B 6/14; G06T 2207/30036

See application file for complete search history.

(56) **References Cited**

U.S. PATENT DOCUMENTS

D571,471	S	*	6/2008	Stockl	D24/158
D604,414	S	*	11/2009	Otsuka	D24/158
D604,415	S	*	11/2009	Otsuka	D24/158
D799,045	S	*	10/2017	Mattiuzzo	D24/158
D839,427	S	*	1/2019	Frenkler	D24/158
2006/0227938	A1	*	10/2006	Walker	A61B 6/4411 378/195
2007/0030951	A1	*	2/2007	Park	A61B 6/14 378/38
2015/0359501	A1	*	12/2015	Eronen	A61B 6/032 378/62
2017/0007191	A1	*	1/2017	Zoccatelli	A61B 6/04

* cited by examiner

Primary Examiner — Anhdao Doan

(74) *Attorney, Agent, or Firm* — Oliff PLC

(57) **CLAIM**

The ornamental design for a medical x-ray photographing apparatus, as shown and described.

DESCRIPTION

FIG. 1 is a front view of a medical x-ray photographing apparatus of the present design; FIG. 2 is a rear view thereof; FIG. 3 is a left side view thereof; FIG. 4 is a right side view thereof; FIG. 5 is a top view thereof; FIG. 6 is a bottom view thereof; FIG. 7 is a perspective view 1 thereof; and, FIG. 8 is a perspective view 2 thereof. The broken lines shown in the drawings represent portions of the medical x-ray photographing apparatus that form no part of the claimed design.

1 Claim, 7 Drawing Sheets

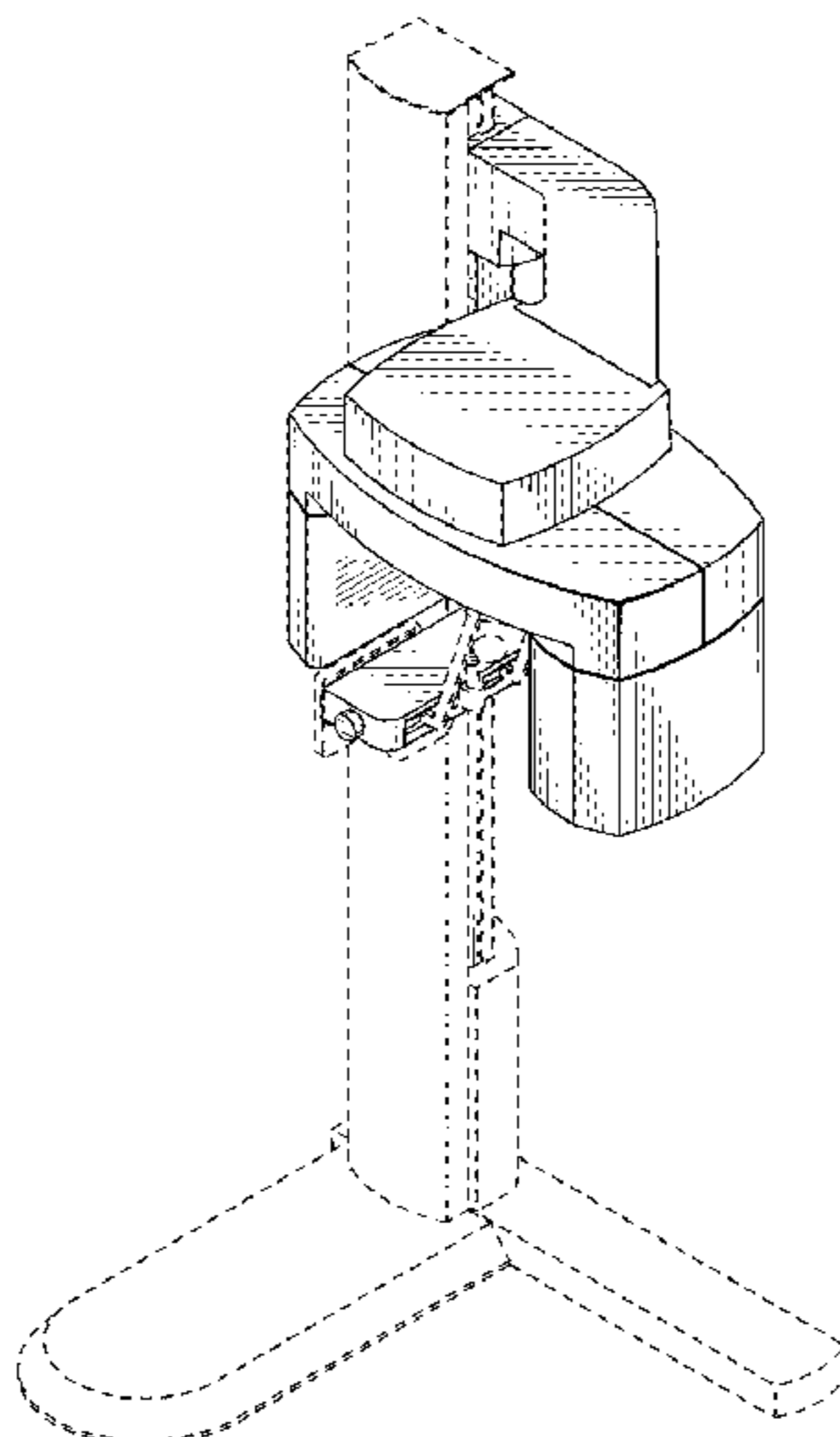


FIG. 1

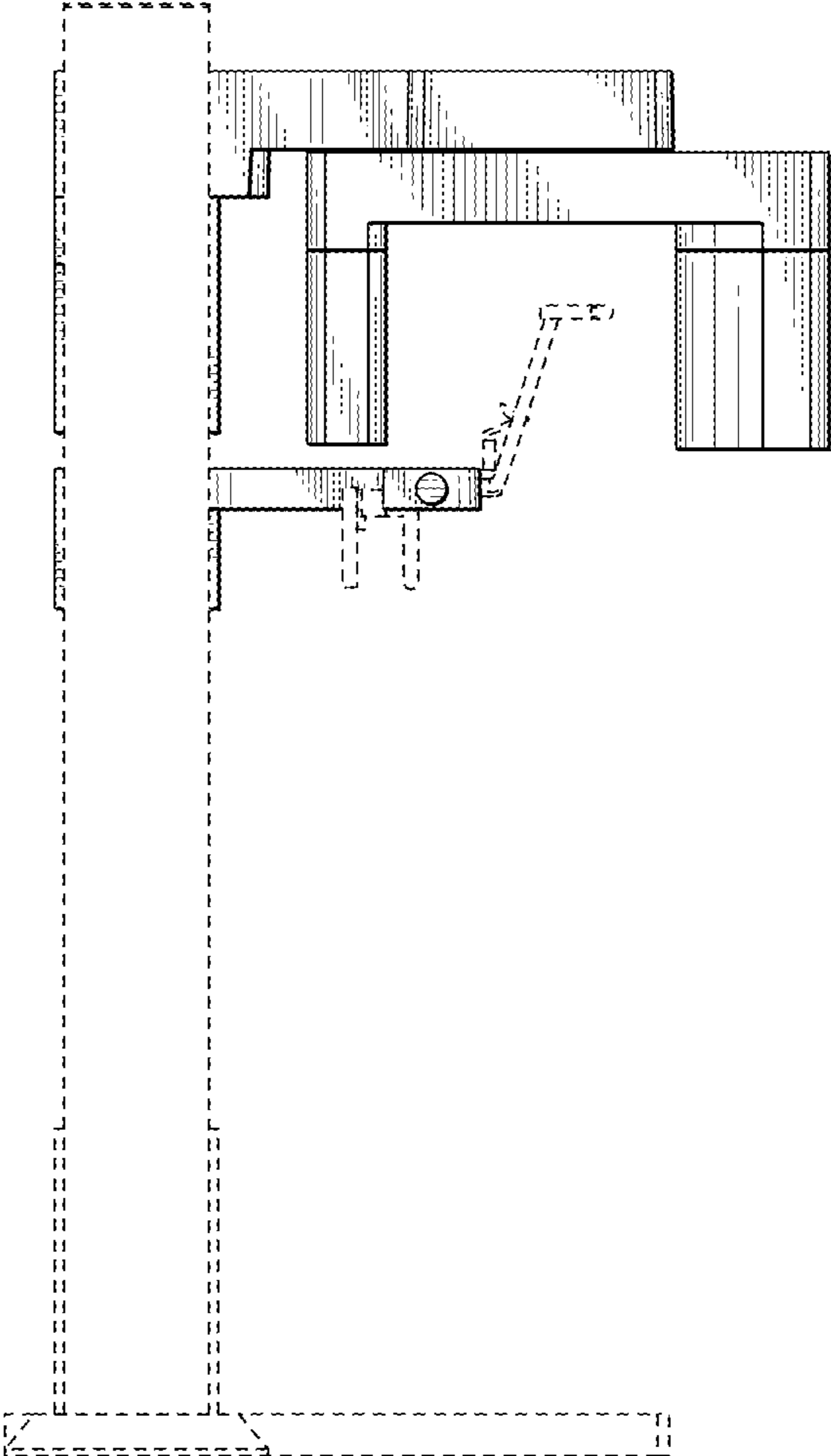


FIG. 2

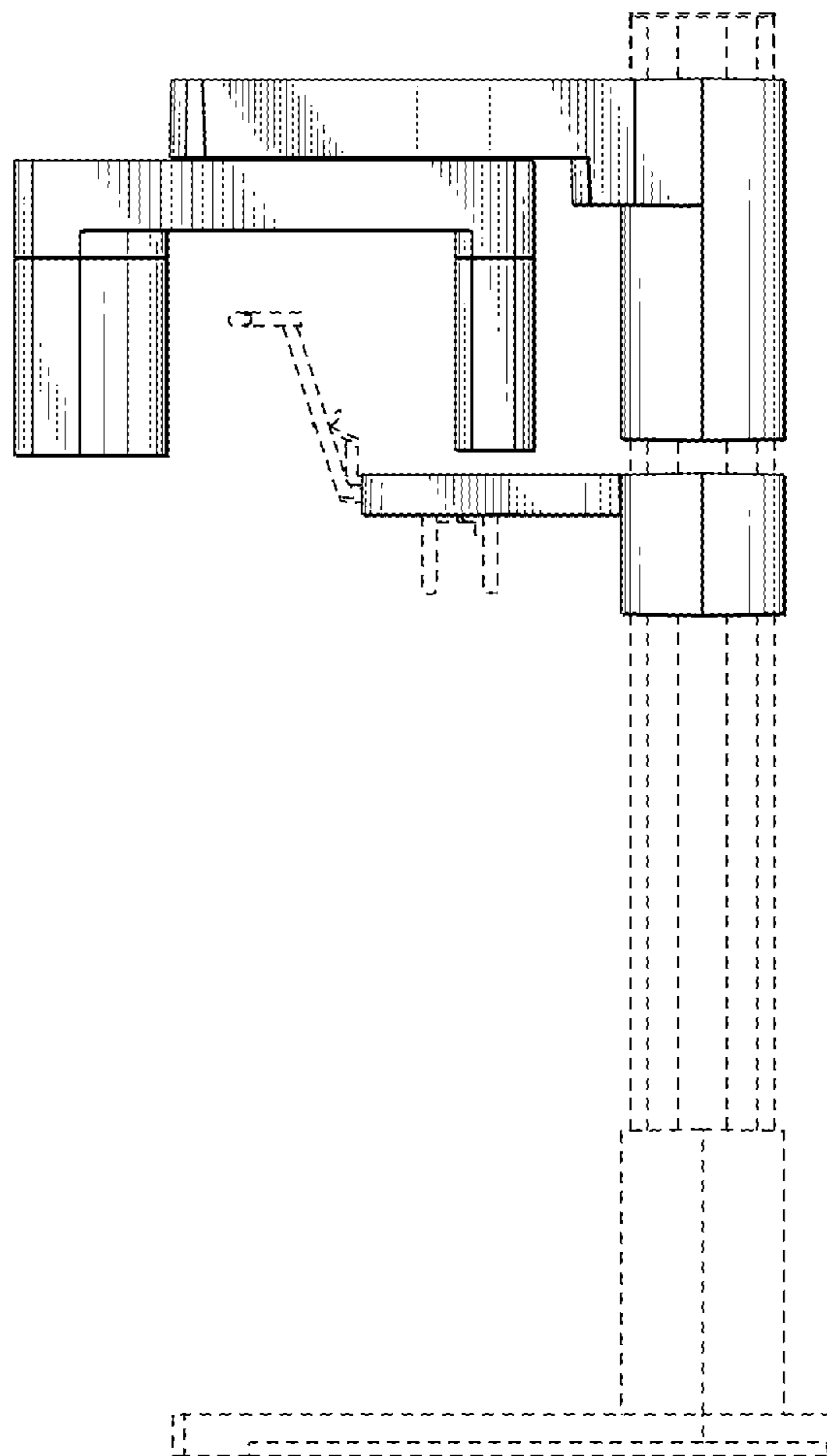


FIG. 3

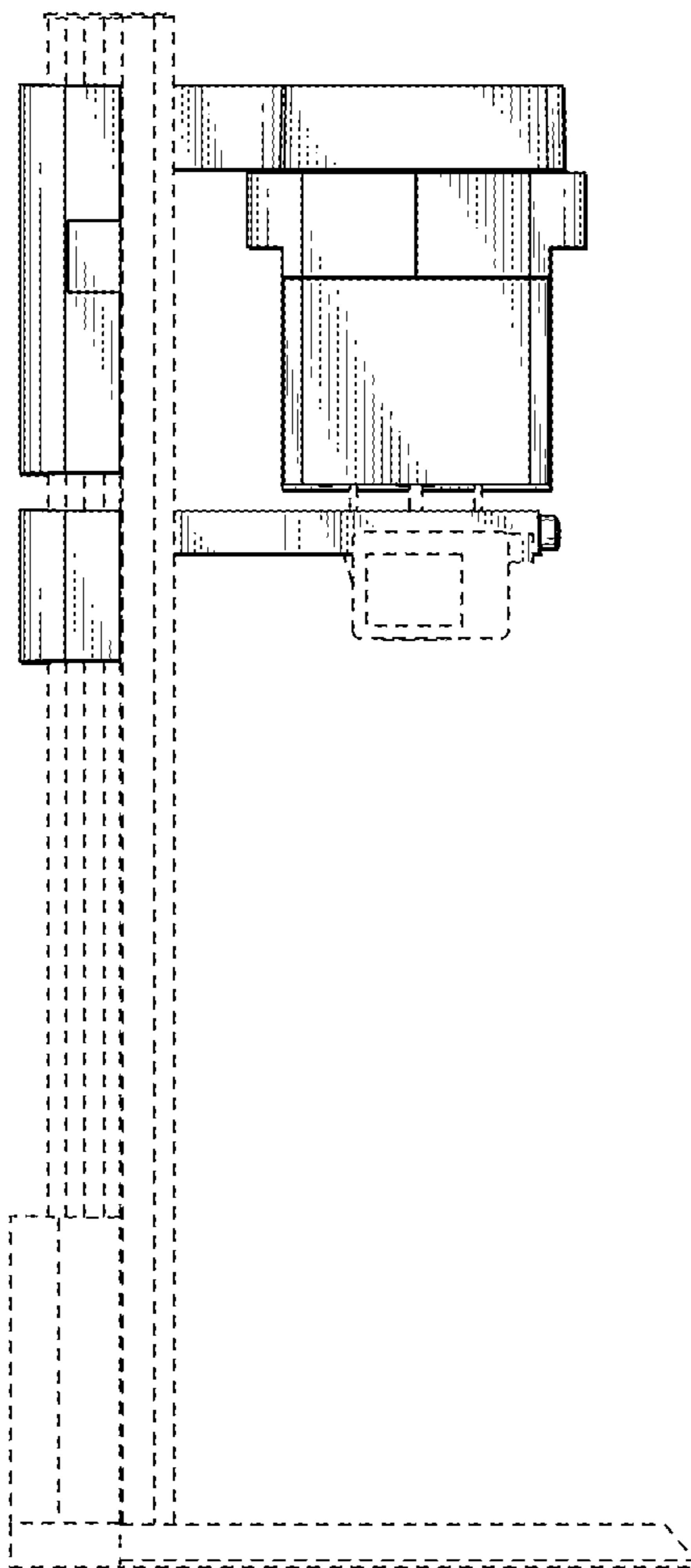


FIG. 4

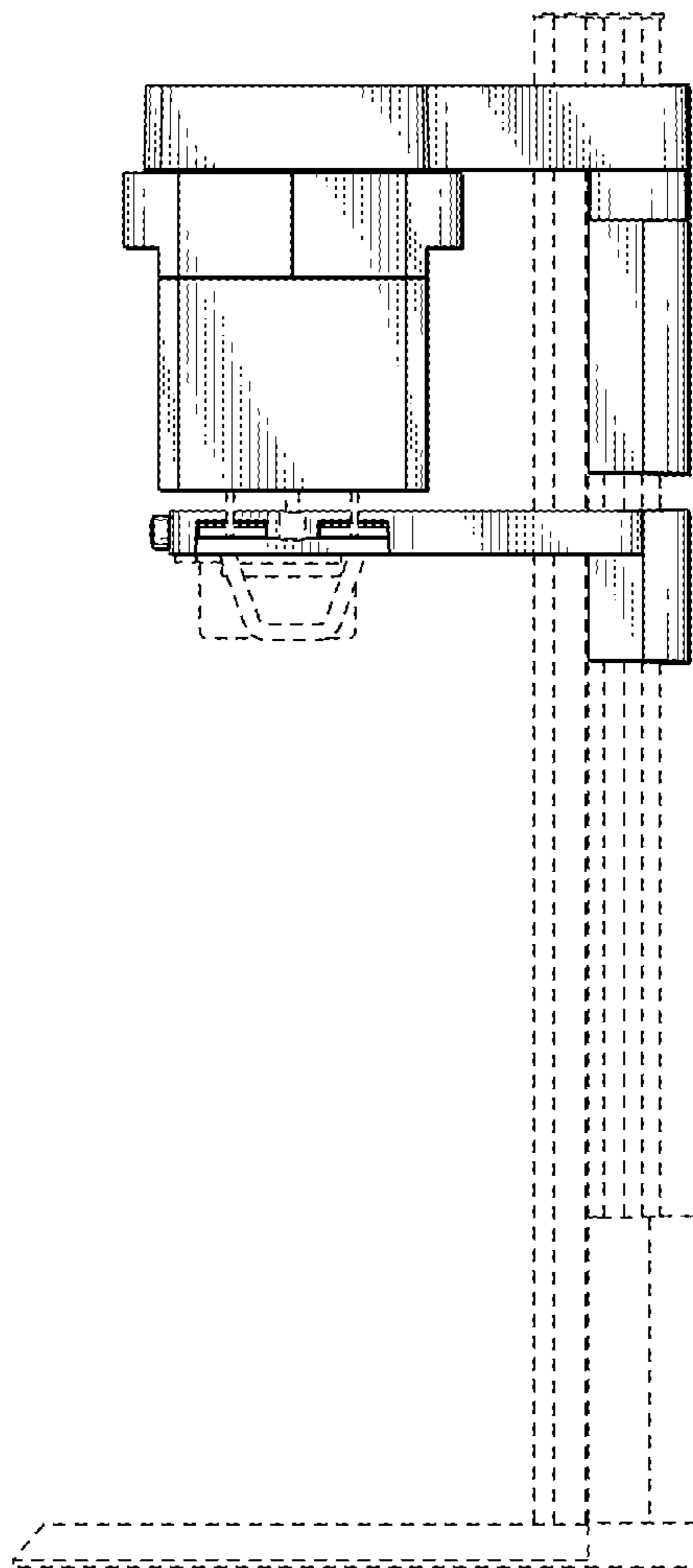


FIG. 5

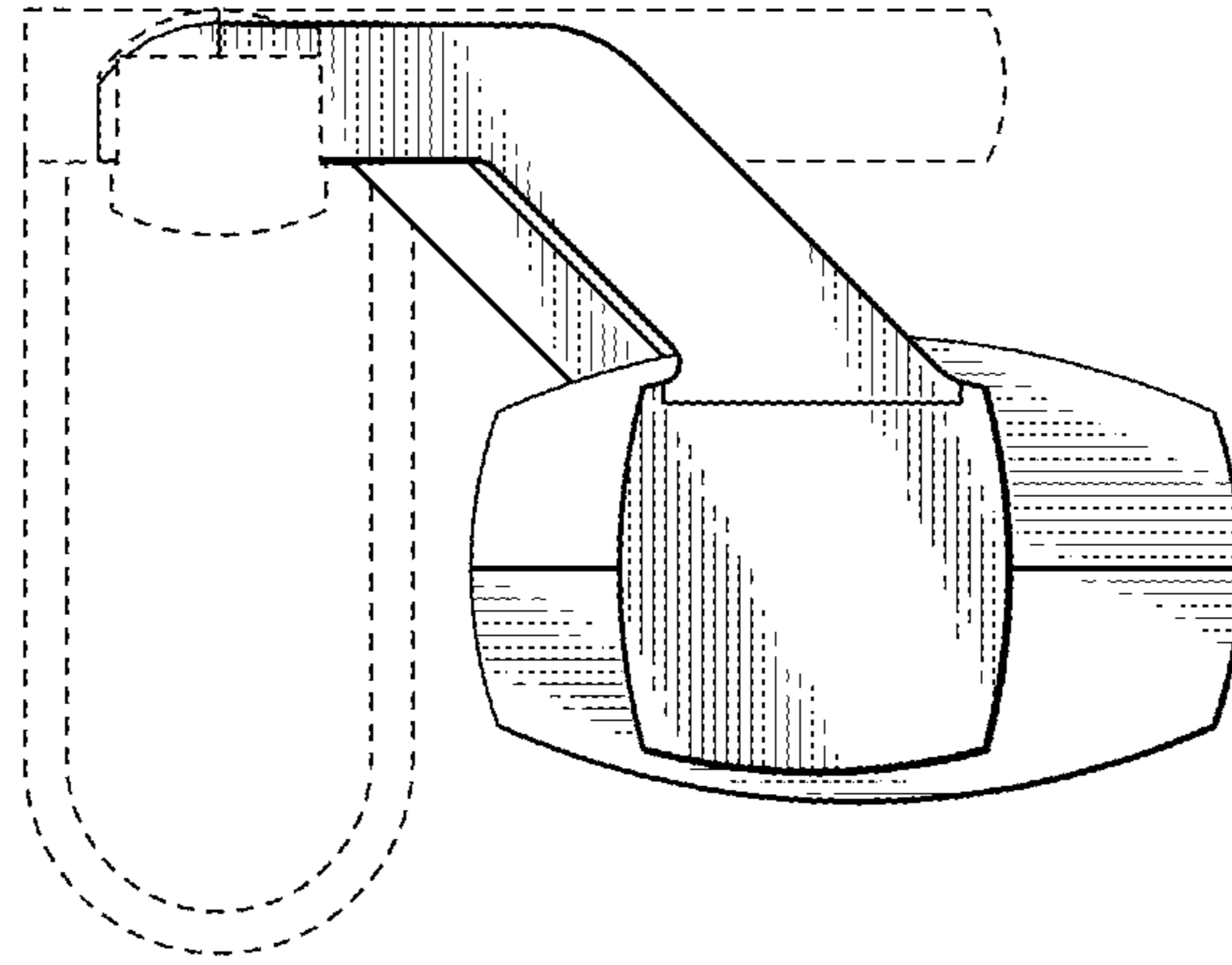


FIG. 6

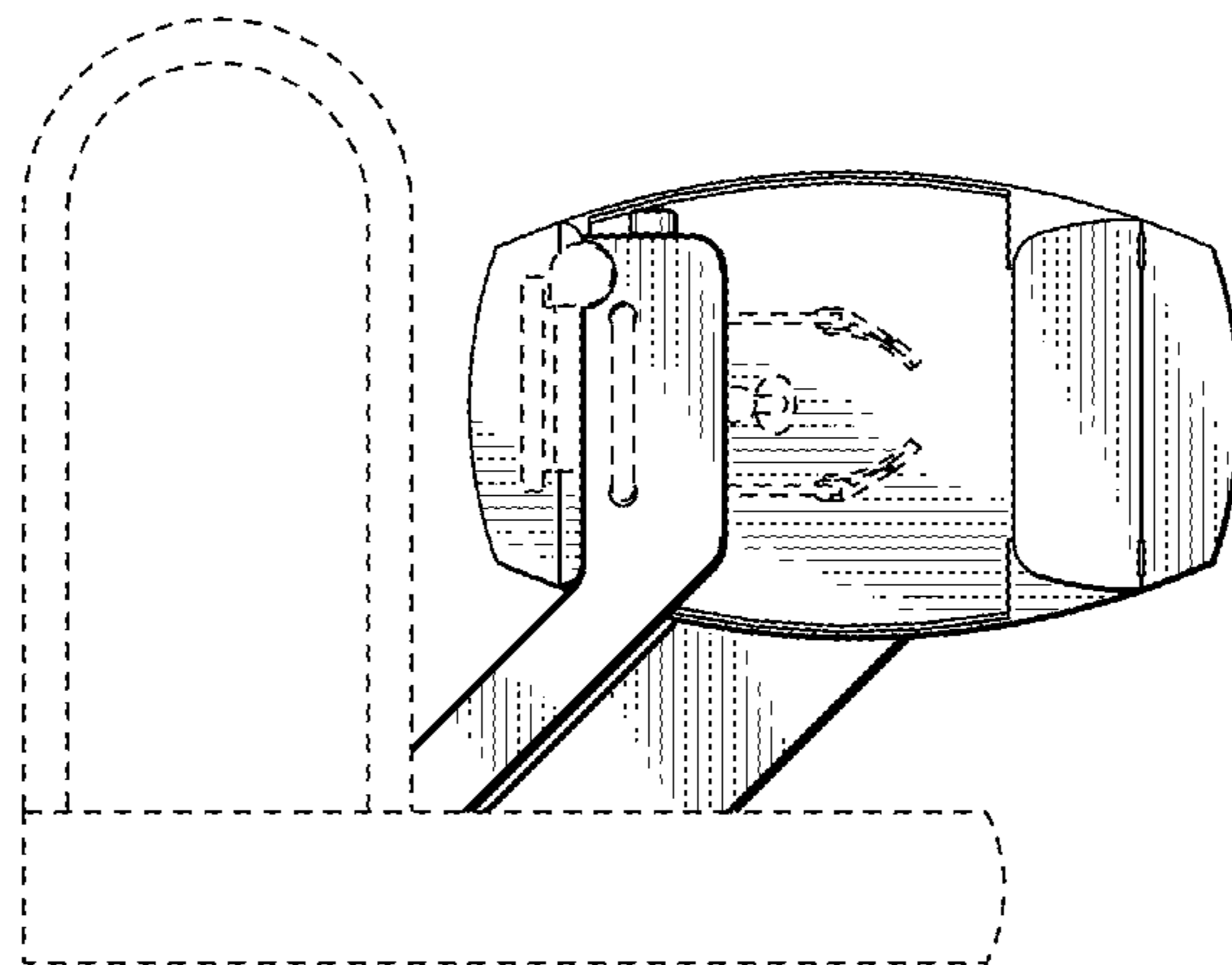


FIG. 7

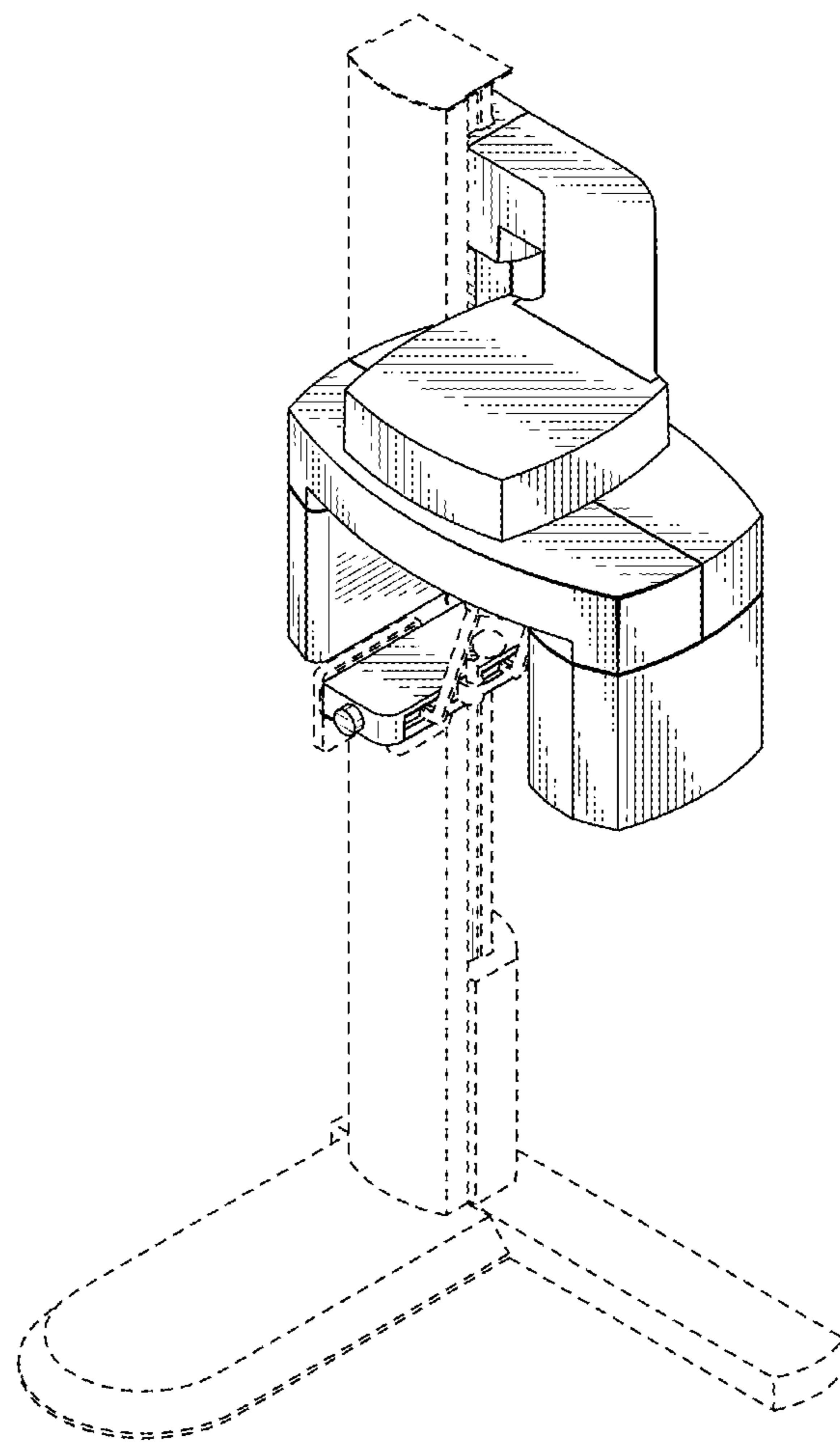


FIG. 8

