



US00D872268S

(12) **United States Design Patent**
Wehsely-Swiczinsky

(10) **Patent No.:** **US D872,268 S**
(45) **Date of Patent:** **** Jan. 7, 2020**

- (54) **LIMB SUPPORT**
- (71) Applicant: **OTTOBOCK SE & CO. KGAA**,
Duderstadt (DE)
- (72) Inventor: **Adam Wehsely-Swiczinsky**, Vienna
(AT)
- (73) Assignee: **OTTOBOCK SE & CO. KGAA**,
Duderstadt (DE)
- (**) Term: **15 Years**
- (21) Appl. No.: **29/669,404**
- (22) Filed: **Nov. 7, 2018**
- (51) **LOC (12) Cl.** **24-03**
- (52) **U.S. Cl.**
USPC **D24/155**
- (58) **Field of Classification Search**
USPC D24/155
CPC A61F 2/80; A61F 2/60; A61F 2/76; A61F
2/68; A61F 2/64; A61F 2220/0025; A61F
2220/41; A61F 2002/607; A61F
2002/802; A61F 2002/5007
See application file for complete search history.

- 7,611,543 B2 * 11/2009 Townsend A61F 2/60
623/38
- D633,205 S * 2/2011 Muhlenberend D24/155
- D633,618 S * 3/2011 Johnson D24/155
- D655,009 S * 2/2012 L'Heureux D24/155
- D782,679 S * 3/2017 Tazsreak D24/155
- D798,453 S * 9/2017 Cheng D24/155
- D857,896 S * 8/2019 Fonfara D24/155

* cited by examiner

Primary Examiner — Charles D Hanson

(74) *Attorney, Agent, or Firm* — Holland & Hart, LLP

(57) **CLAIM**

The ornamental design for a limb support, as shown and described.

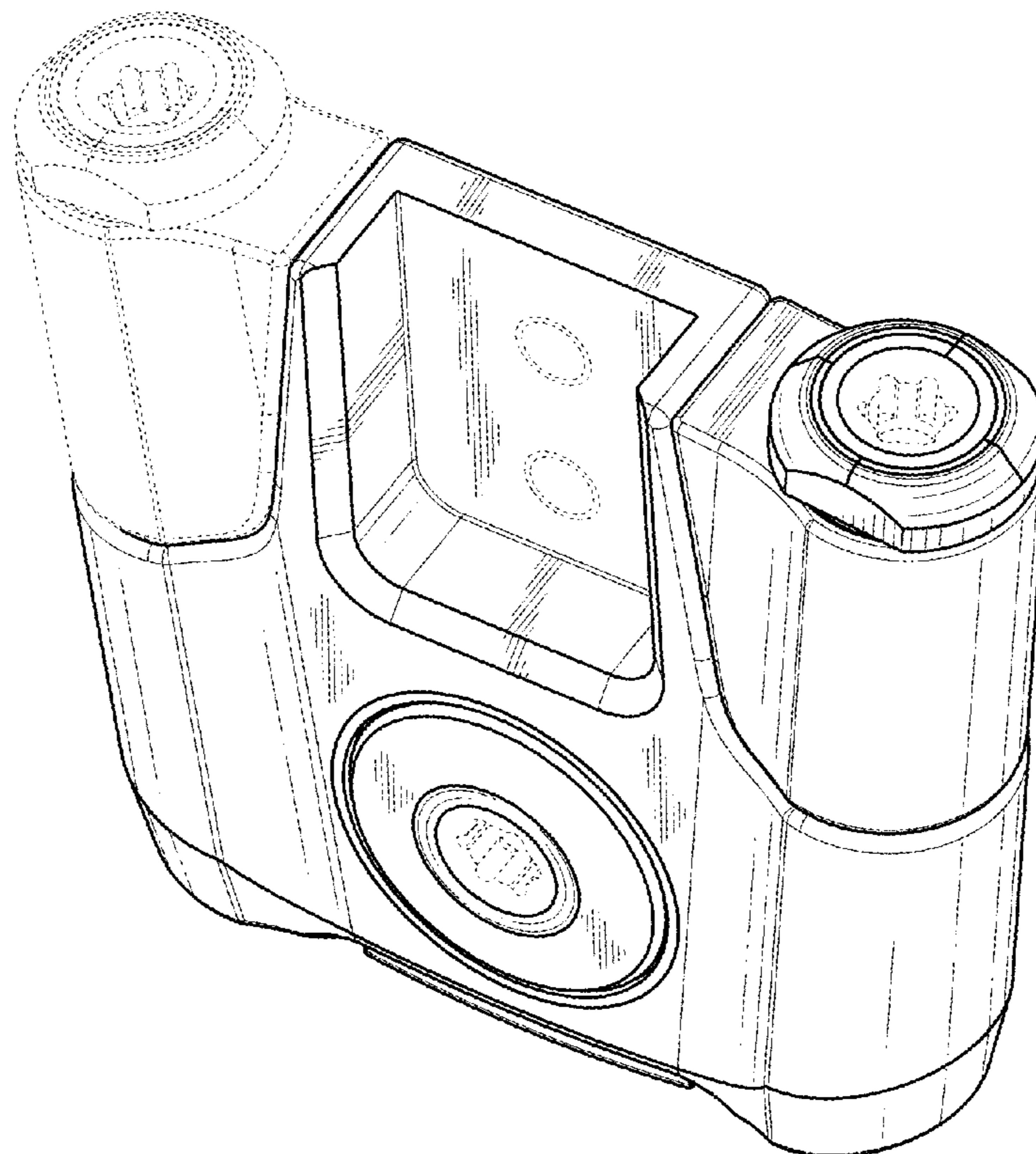
DESCRIPTION

FIG. 1 is a perspective view of a limb support according to the present invention;
FIG. 2 is a front view thereof;
FIG. 3 is a rear view thereof;
FIG. 4 is a right side view thereof;
FIG. 5 is a left side view thereof;
FIG. 6 is a top view thereof; and,
FIG. 7 is a bottom view thereof.

Any broken lines in the drawing views are included for the purpose of illustrating environment and form no part of the claimed design.

1 Claim, 5 Drawing Sheets

- (56) **References Cited**
U.S. PATENT DOCUMENTS
6,719,807 B2 * 4/2004 Harris A61F 2/66
623/52
6,969,408 B2 * 11/2005 Lecomte A61F 2/66
623/55



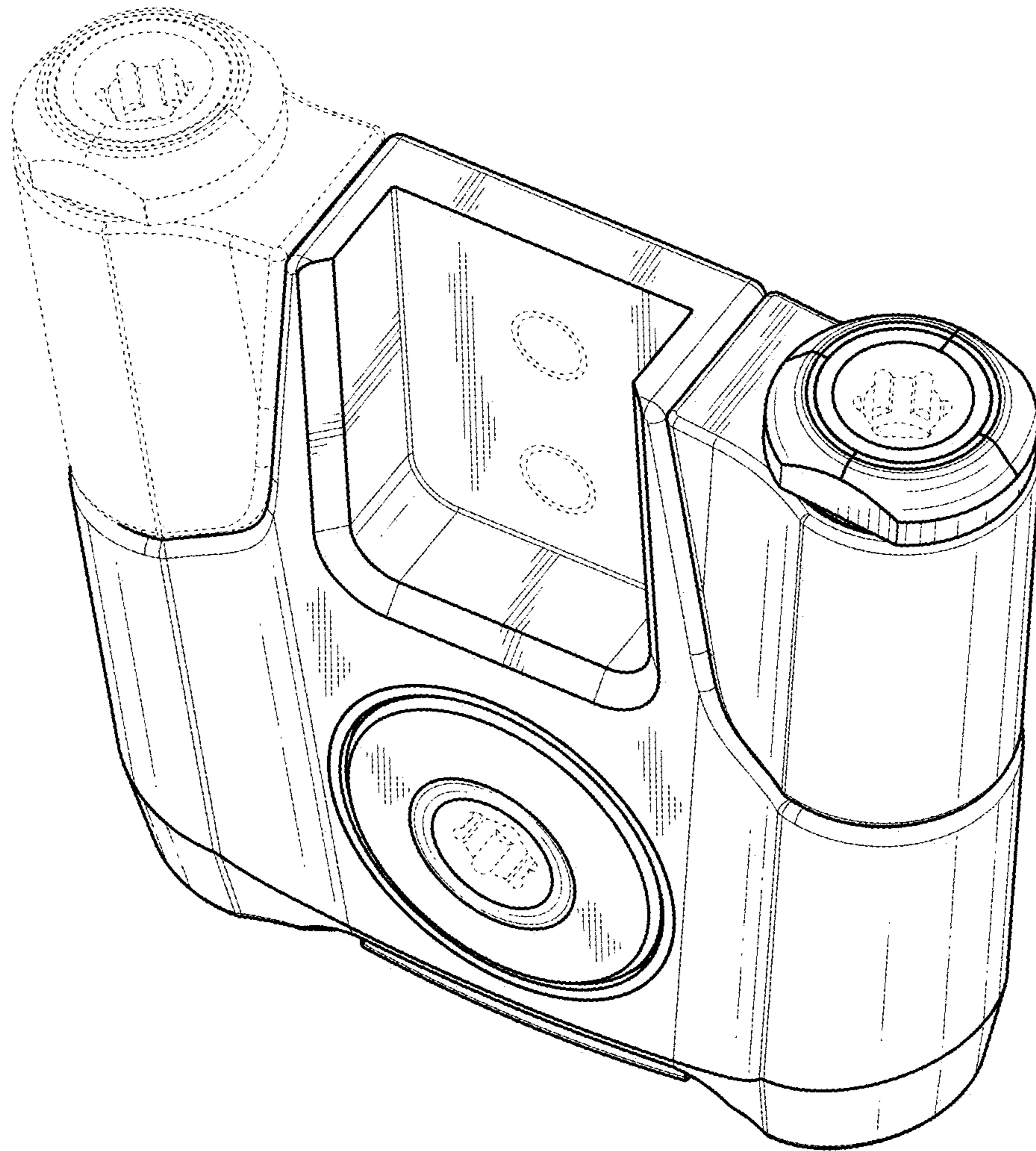


FIG. 1

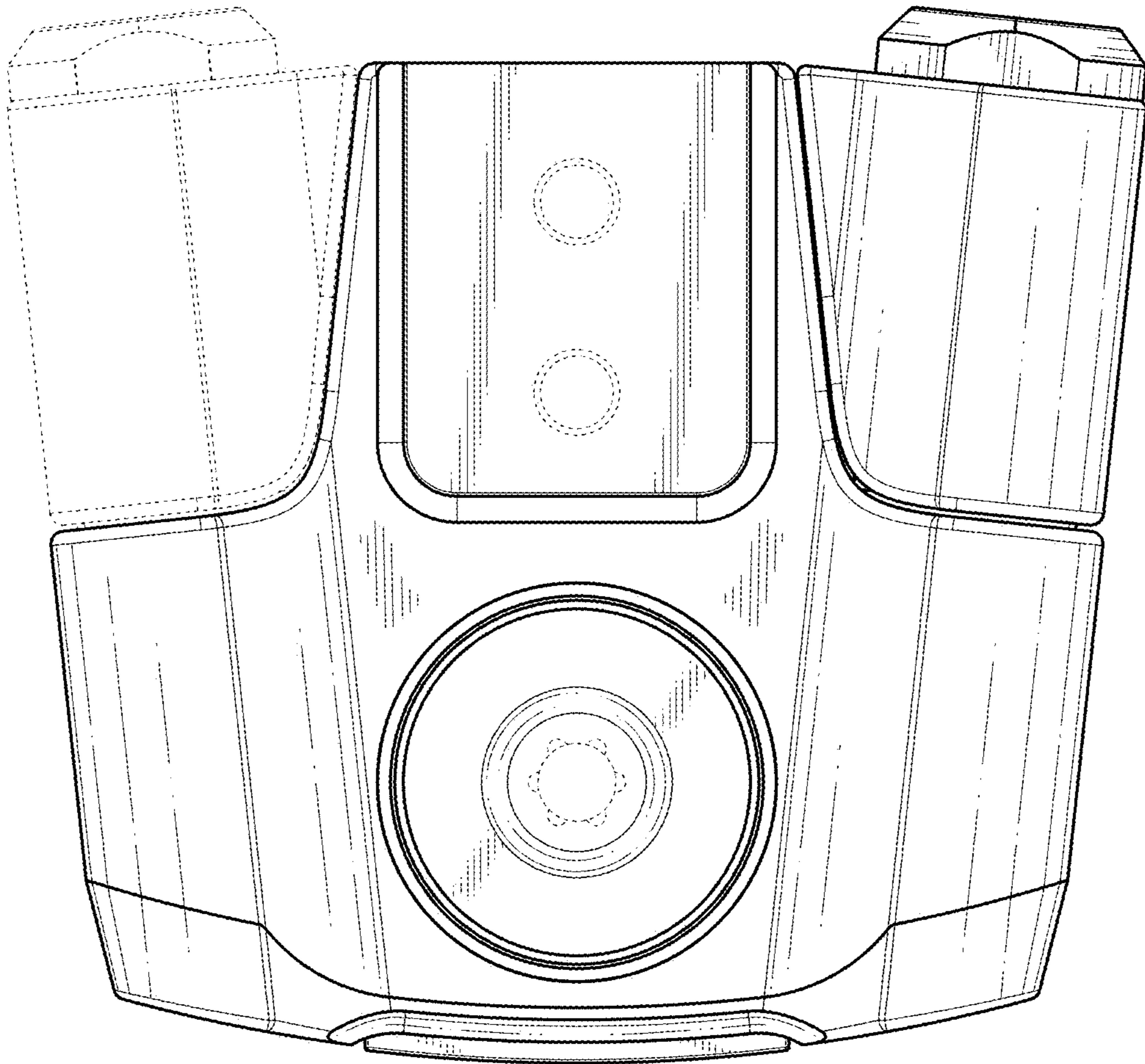


FIG. 2

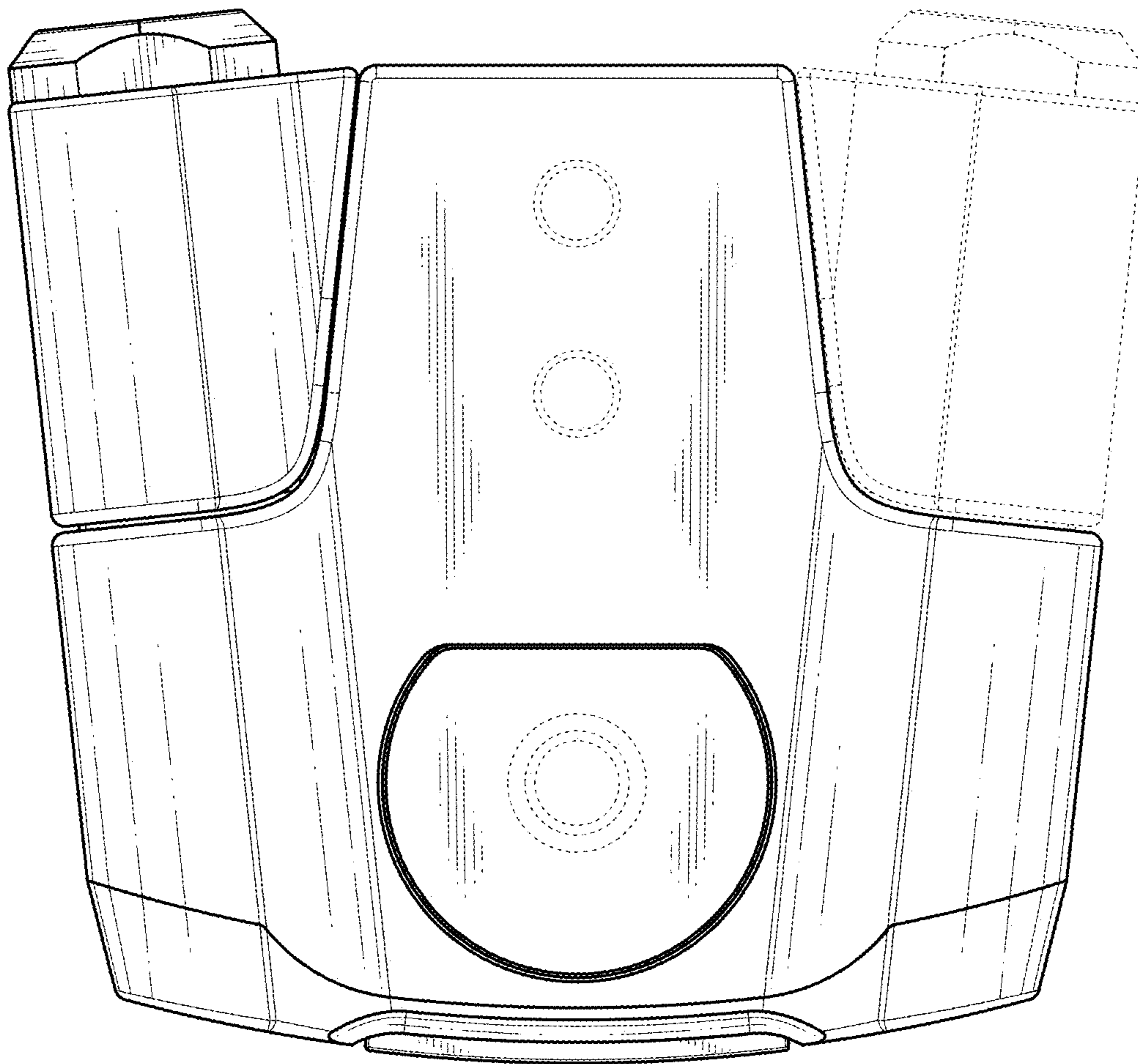


FIG. 3

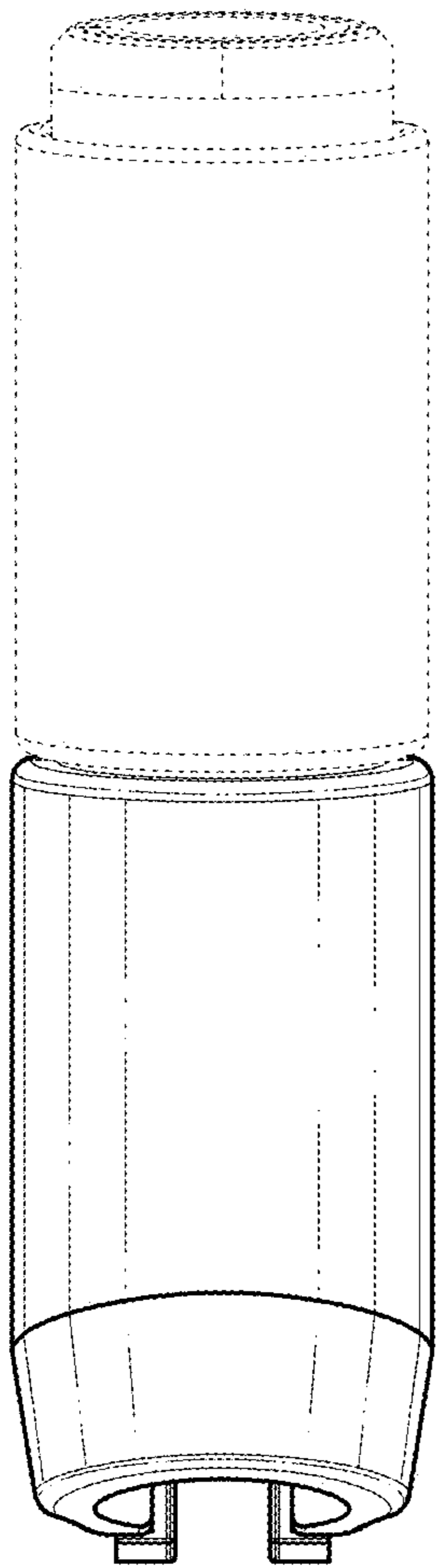


FIG. 4

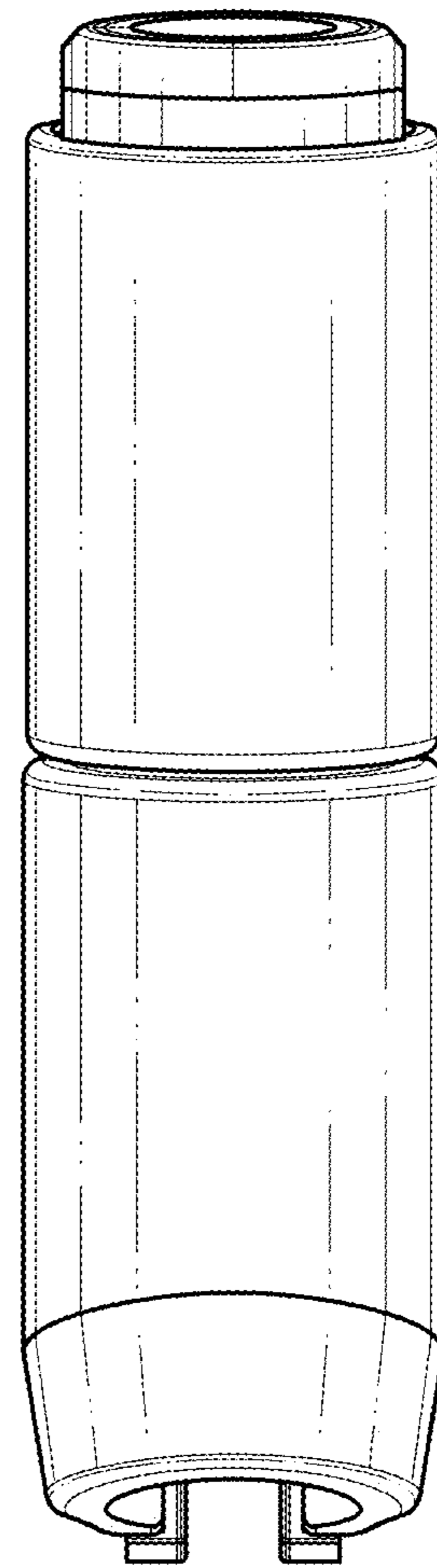


FIG. 5

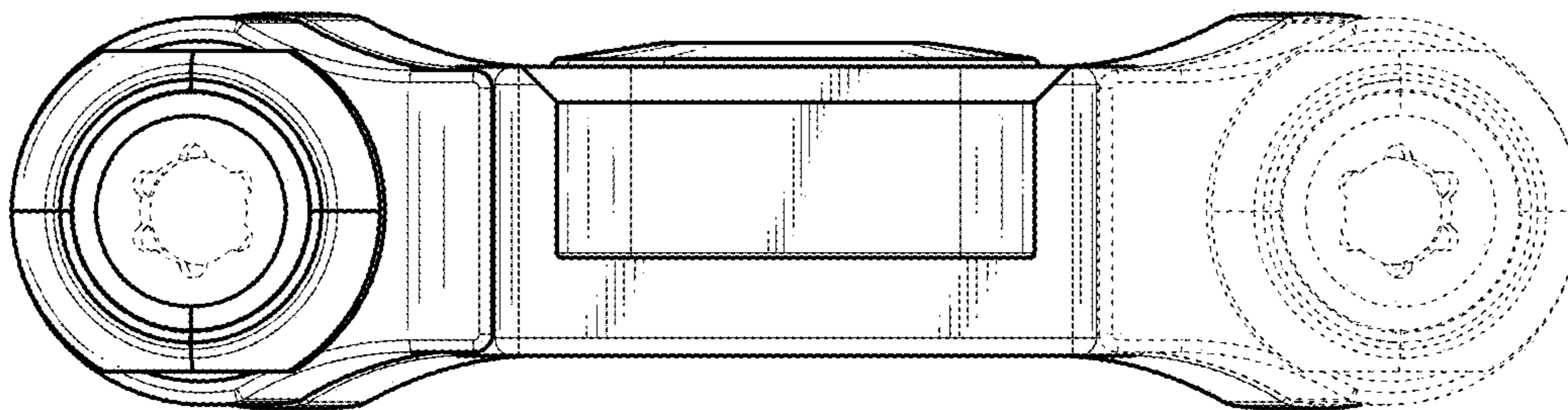


FIG. 6

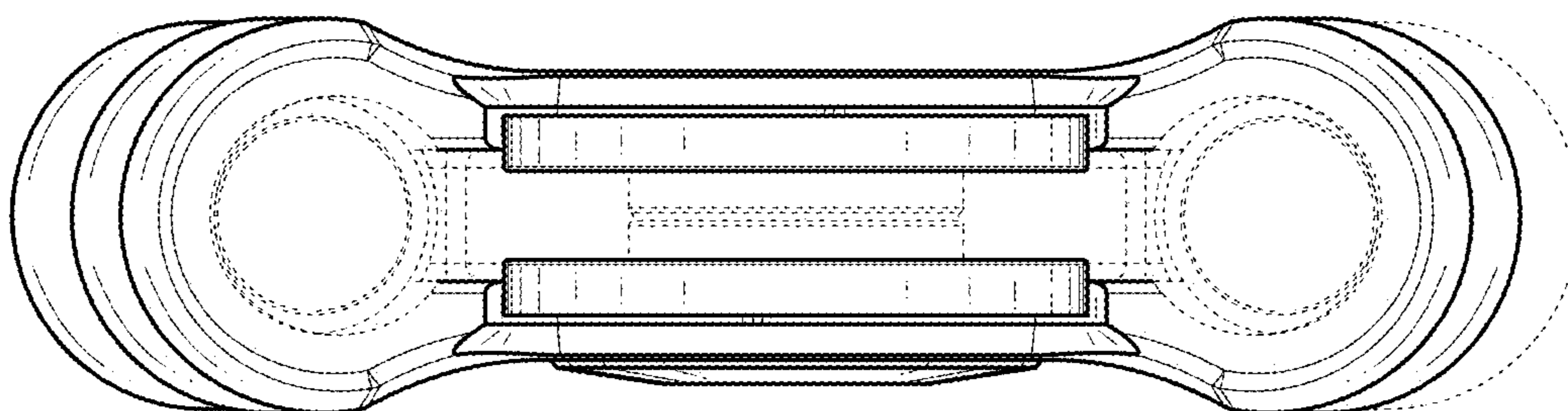


FIG. 7