



US00D872266S

(12) **United States Design Patent**  
**Wehsely-Swiczinsky**

(10) **Patent No.:** **US D872,266 S**

(45) **Date of Patent:** **\*\* Jan. 7, 2020**

(54) **LIMB SUPPORT**

7,611,543 B2 \* 11/2009 Townsend ..... A61F 2/60  
623/38

(71) Applicant: **OTTOBOCK SE & CO. KGAA**,  
Duderstadt (DE)

D633,205 S \* 2/2011 Muhlenberend ..... D24/155

D633,618 S \* 3/2011 Johnson ..... D24/155

D655,009 S \* 2/2012 L'Heureux ..... D24/155

(72) Inventor: **Adam Wehsely-Swiczinsky**, Vienna  
(AT)

D782,679 S \* 3/2017 Tazsreak ..... D24/155

D798,453 S \* 9/2017 Cheng ..... D24/155

D857,896 S \* 8/2019 Fonfara ..... D24/155

(73) Assignee: **OTTOBOCK SE & CO. KGAA**,  
Duderstadt (DE)

\* cited by examiner

(\*\*) Term: **15 Years**

*Primary Examiner* — Charles D Hanson

(74) *Attorney, Agent, or Firm* — Holland & Hart, LLP

(21) Appl. No.: **29/669,399**

(22) Filed: **Nov. 7, 2018**

(51) **LOC (12) Cl.** ..... **24-03**

(52) **U.S. Cl.**

USPC ..... **D24/155**

(58) **Field of Classification Search**

USPC ..... D24/155

CPC ..... A61F 2/80; A61F 2/60; A61F 2/76; A61F

2/68; A61F 2/64; A61F 2220/0025; A61F

2220/41; A61F 2002/607; A61F

2002/802; A61F 2002/5007

See application file for complete search history.

(56) **References Cited**

**U.S. PATENT DOCUMENTS**

6,719,807 B2 \* 4/2004 Harris ..... A61F 2/66  
623/52

6,969,408 B2 \* 11/2005 Lecomte ..... A61F 2/66  
623/55

(57) **CLAIM**

The ornamental design for a limb support, as shown and described.

**DESCRIPTION**

FIG. 1 is a perspective view of a limb support according to the present invention;

FIG. 2 is a front view thereof;

FIG. 3 is a rear view thereof;

FIG. 4 is a right side view thereof;

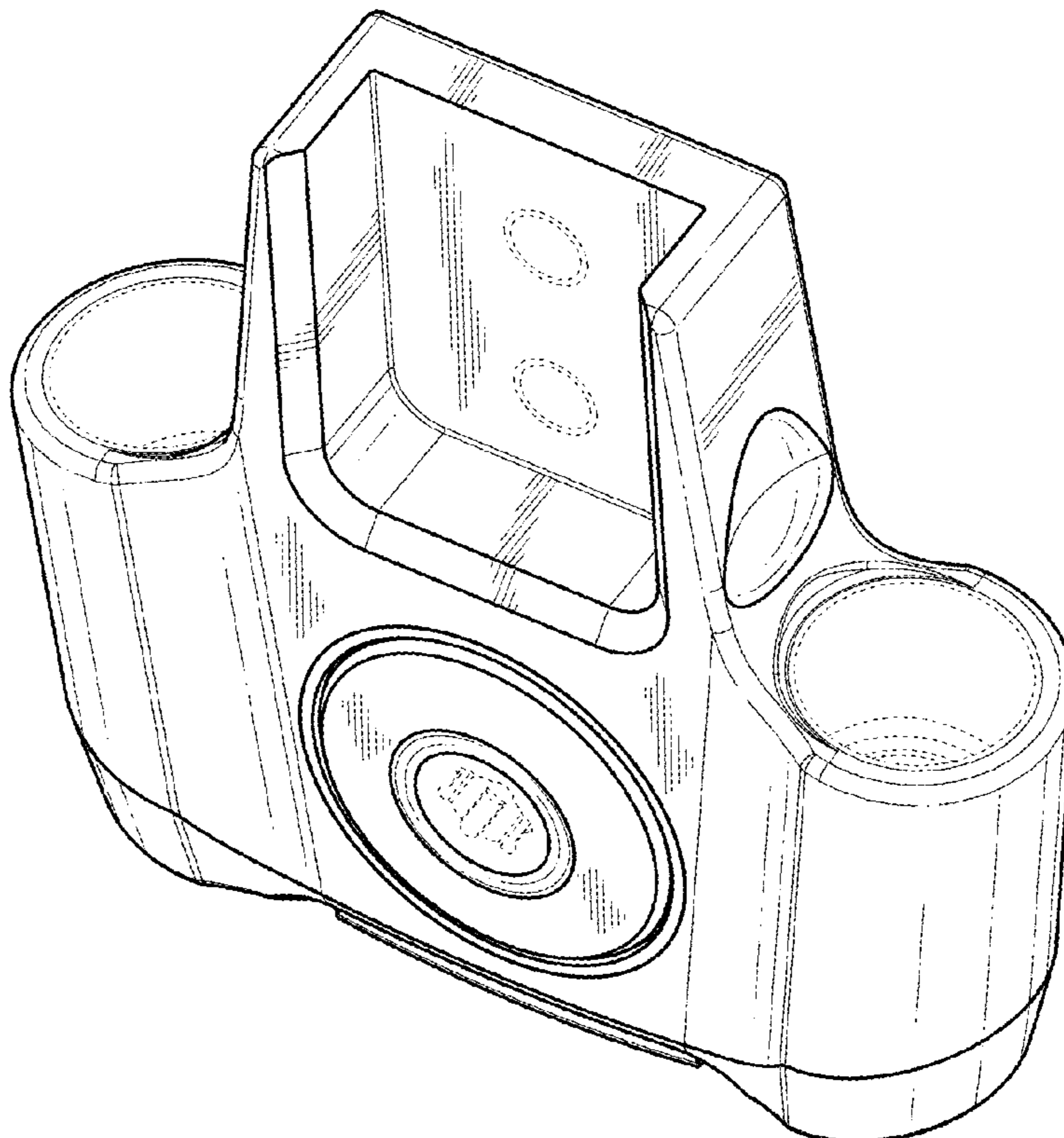
FIG. 5 is a left side view thereof;

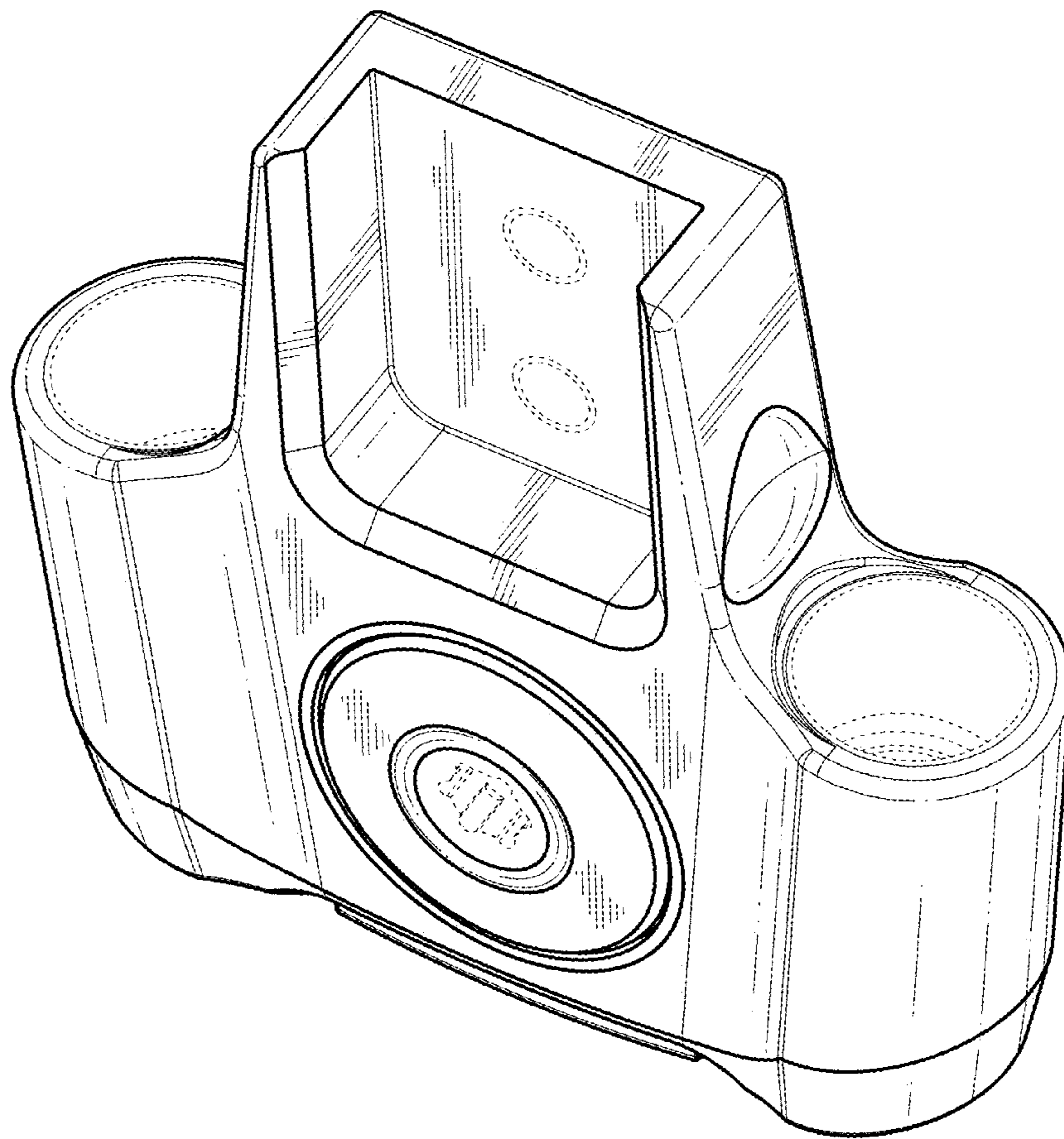
FIG. 6 is a top view thereof; and,

FIG. 7 is a bottom view thereof.

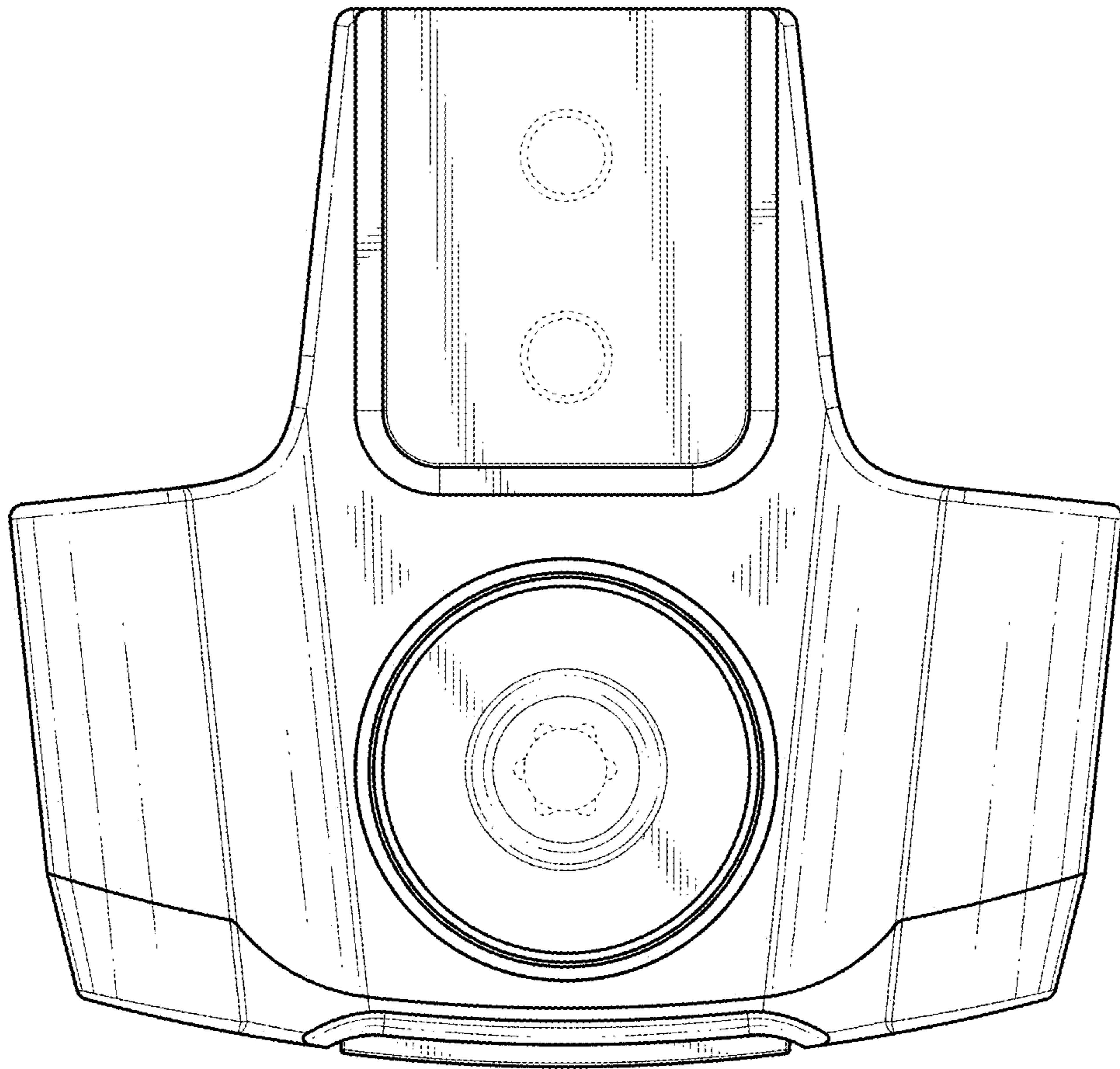
Any broken lines in the drawing views are included for the purpose of illustrating environment and form no part of the claimed design.

**1 Claim, 5 Drawing Sheets**

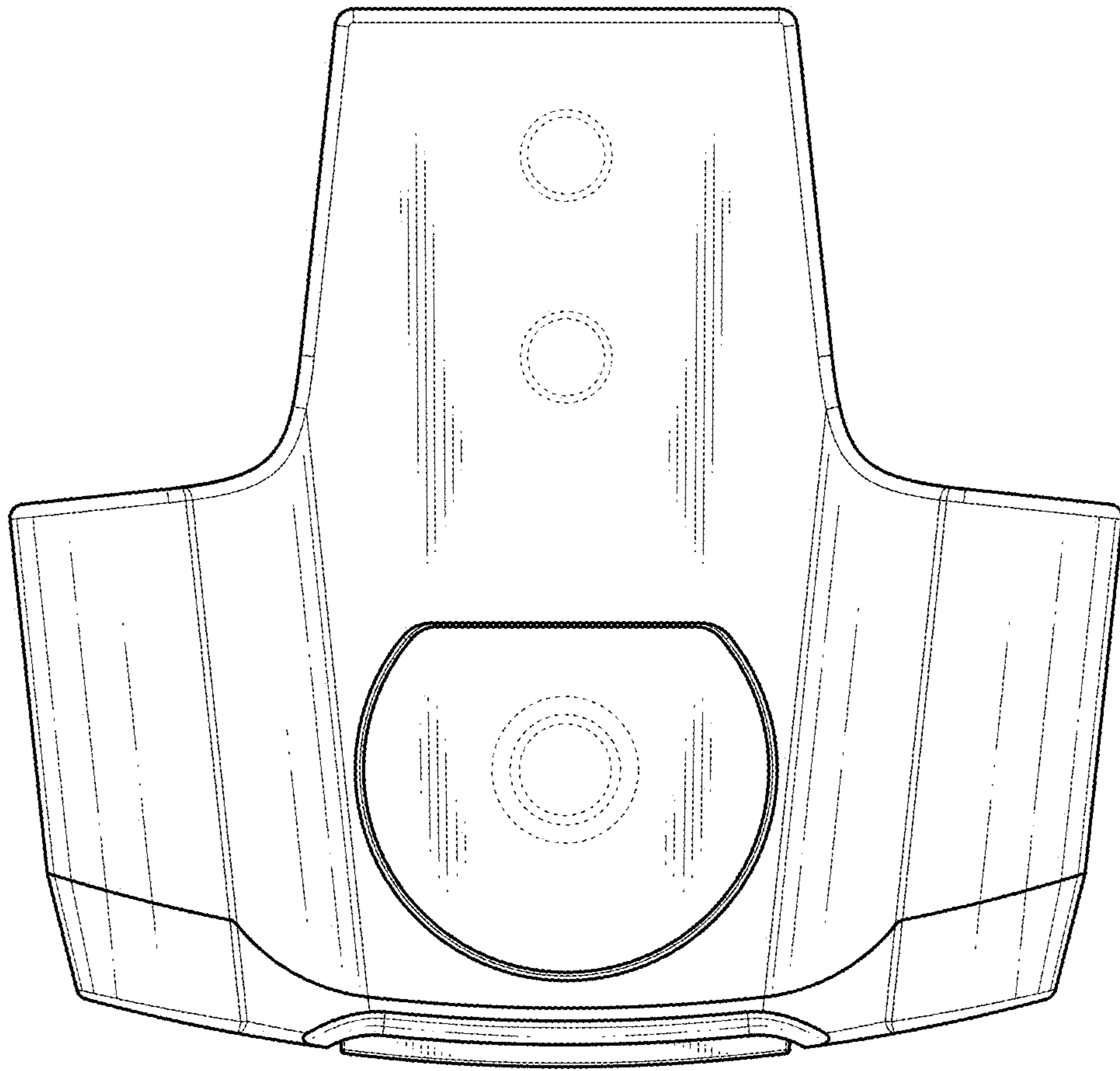




**FIG. 1**

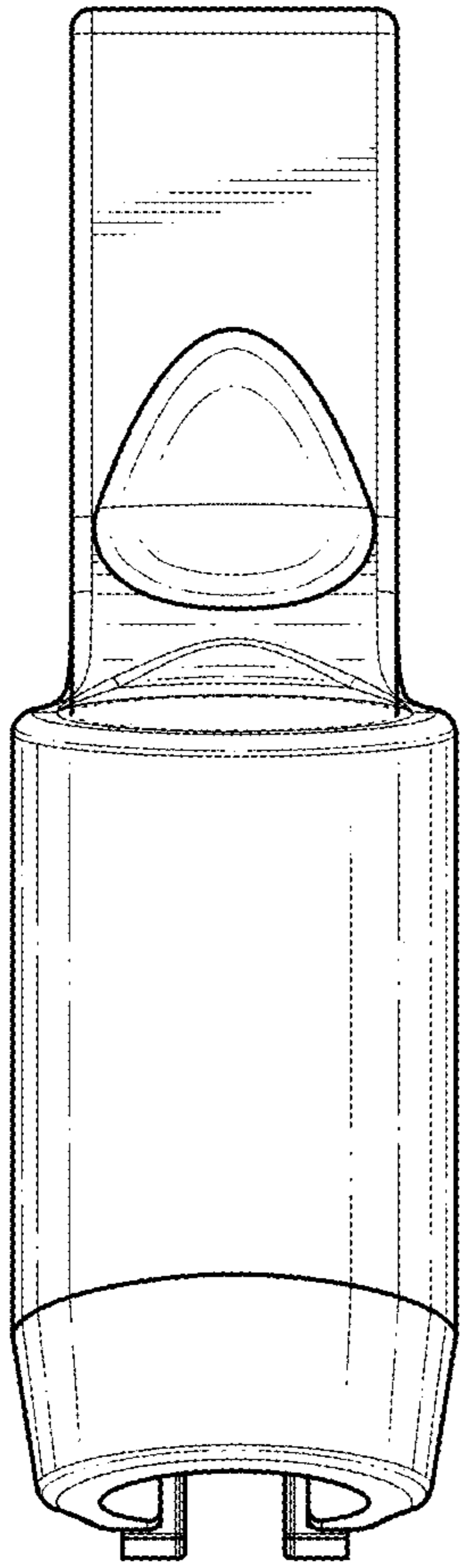


**FIG. 2**

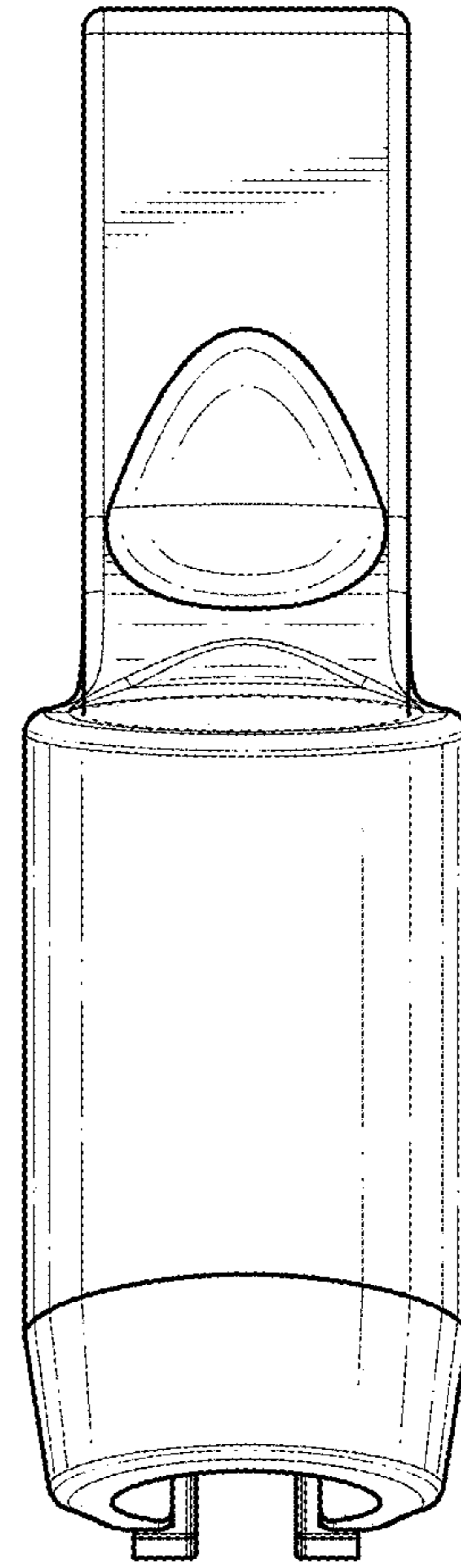


**FIG. 3**

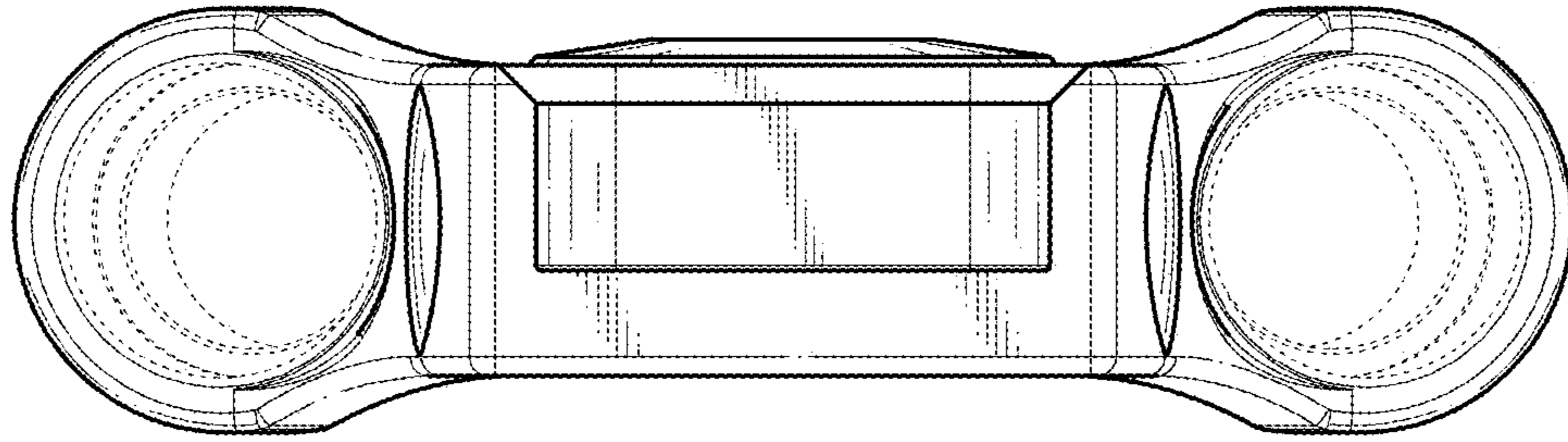




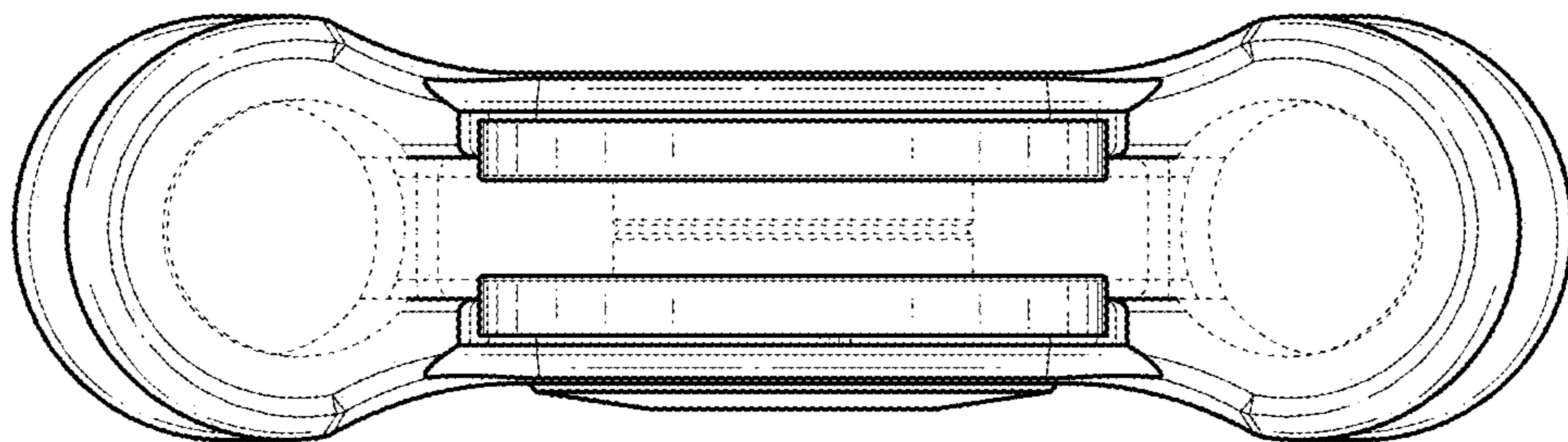
**FIG. 4**



**FIG. 5**



**FIG. 6**



**FIG. 7**