



US00D872261S

(12) **United States Design Patent**
Funakoshi

(10) **Patent No.:** **US D872,261 S**

(45) **Date of Patent:** **** Jan. 7, 2020**

- (54) **ENDOSCOPE OPERATING UNIT**
- (71) Applicant: **OLYMPUS CORPORATION**,
Hachioji-shi, Tokyo (JP)
- (72) Inventor: **Yasuo Funakoshi**, Tokyo (JP)
- (73) Assignee: **OLYMPUS CORPORATION**, Tokyo
(JP)
- (**) Term: **15 Years**
- (21) Appl. No.: **29/604,434**
- (22) Filed: **May 17, 2017**

- D777,915 S * 1/2017 Tanaka D24/138
- D782,672 S * 3/2017 Tanaka D24/138
- D799,036 S * 10/2017 Osada D24/138
- D812,748 S * 3/2018 Funakoshi D24/133
- D842,465 S * 3/2019 Osada D24/138
- 2016/0231255 A1 * 8/2016 Funakoshi A61B 1/0052
- 2018/0168436 A1 * 6/2018 Hoshino A61B 1/0052

* cited by examiner

Primary Examiner — Eliza Z Bennett-Hattan

(74) *Attorney, Agent, or Firm* — Oliff PLC

- (30) **Foreign Application Priority Data**
- Nov. 17, 2016 (JP) 2016-025034
- (51) **LOC (12) Cl.** **24-02**
- (52) **U.S. Cl.**
- USPC **D24/138**
- (58) **Field of Classification Search**
- USPC D24/138, 137, 127, 113, 108, 133
- CPC A61B 1/00126
- See application file for complete search history.

(57) **CLAIM**

The ornamental design for an endoscope operating unit, as shown and described.

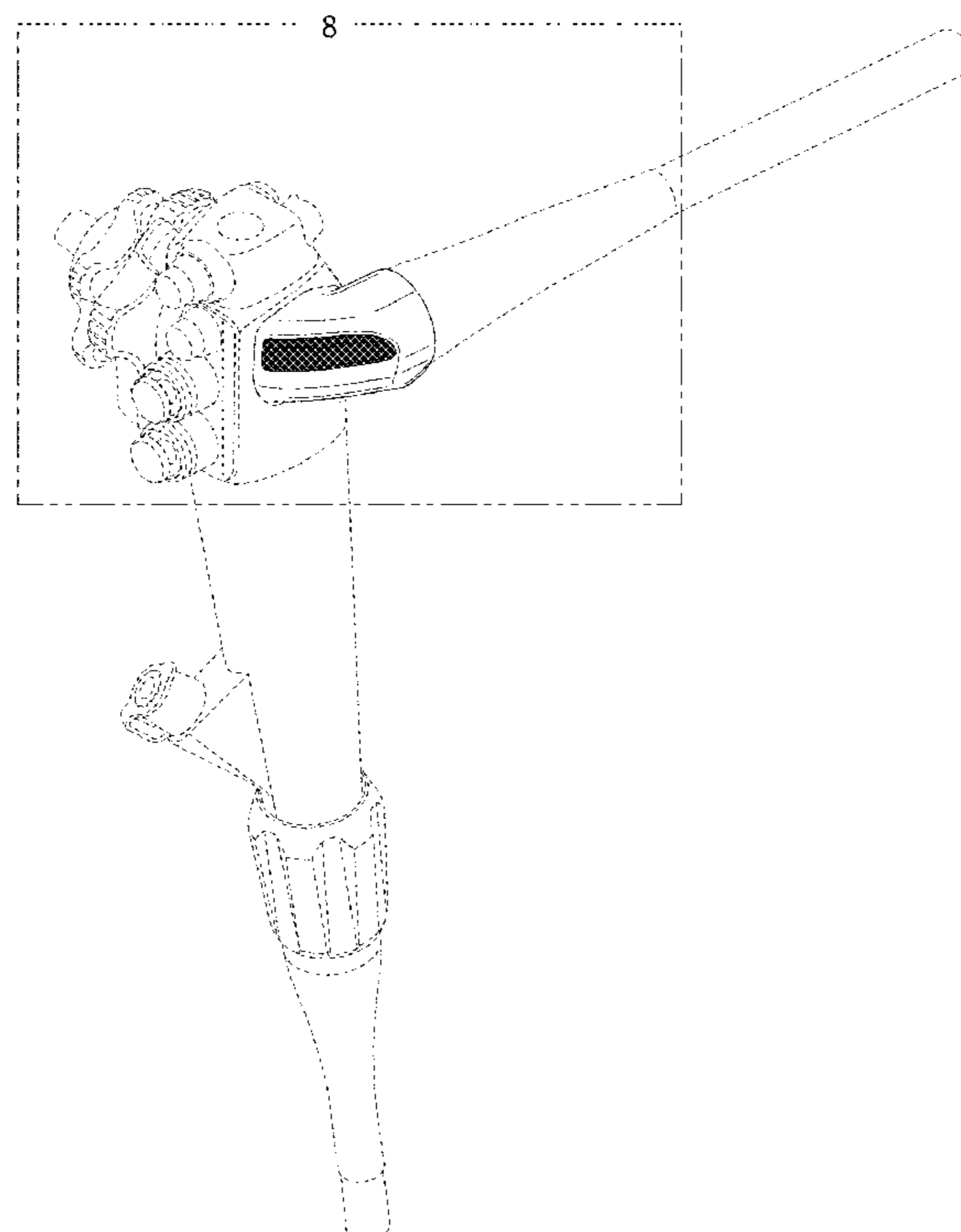
DESCRIPTION

FIG. 1 is a front, top and left side perspective view of an endoscope operating unit, showing my new design;
 FIG. 2 is a front view thereof;
 FIG. 3 is a rear view thereof;
 FIG. 4 is a top view thereof;
 FIG. 5 is a bottom view thereof;
 FIG. 6 is a left side view thereof;
 FIG. 7 is a right side view thereof; and,
 FIG. 8 is an enlarged fragmented view thereof, taken along line 8 in FIG. 1.

The broken lines showing the remainder thereof are for environmental purposes only and form no part of the claimed design. The dot-dash broken lines denote the boundary between the claimed part and the unclaimed part. The two-dot-dashed lines showing in FIG. 1 are included to indicate the cutting plan of FIG. 8.

1 Claim, 6 Drawing Sheets

- (56) **References Cited**
- U.S. PATENT DOCUMENTS**
- D648,023 S * 11/2011 Nohara D24/138
- D668,762 S * 10/2012 Makowski D24/138
- D669,174 S * 10/2012 Makowski D24/138
- D718,444 S * 11/2014 Yoshida D24/138
- D718,446 S * 11/2014 Yoshida D24/138
- D753,298 S * 4/2016 Hayamizu D24/138



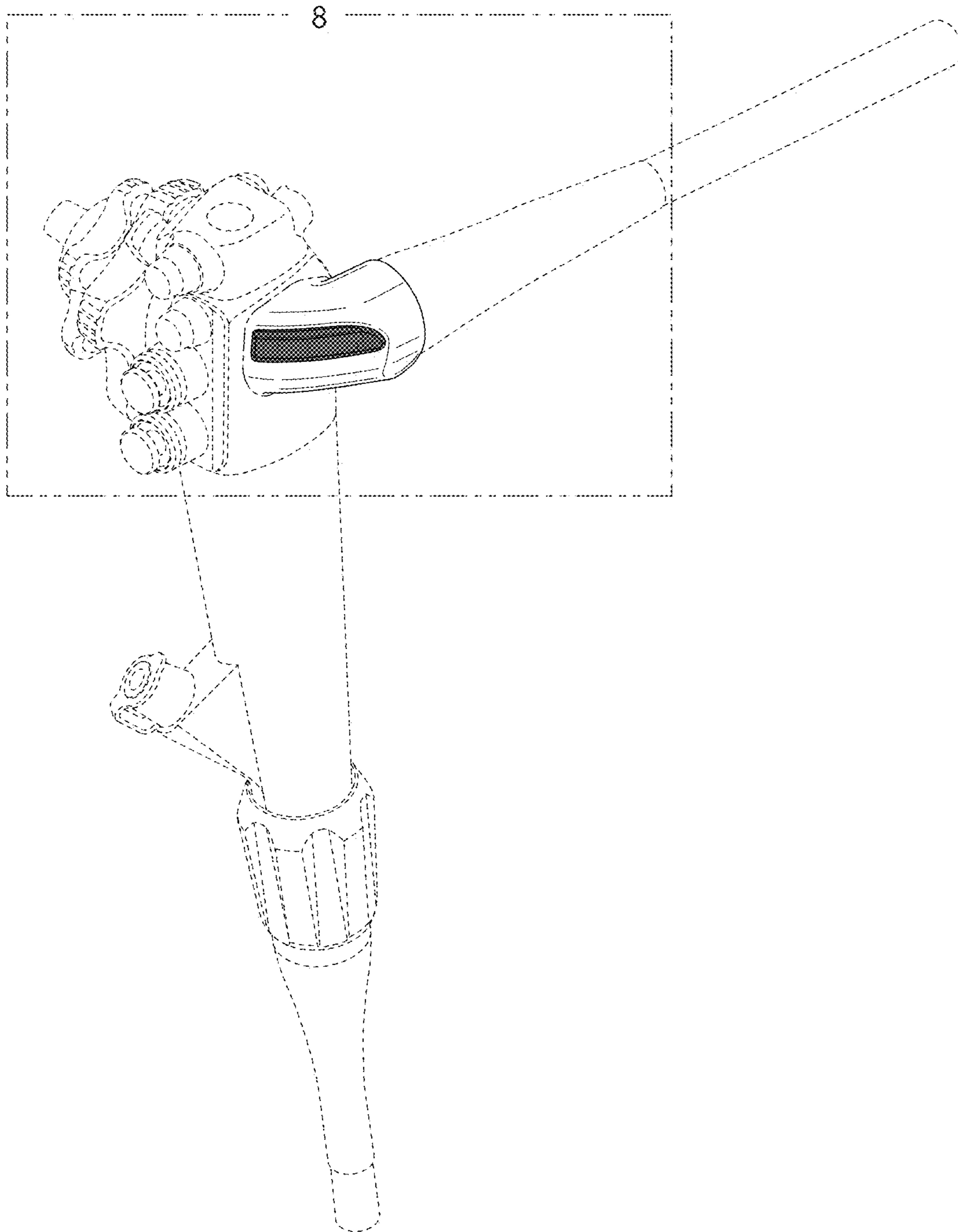


Fig. 1

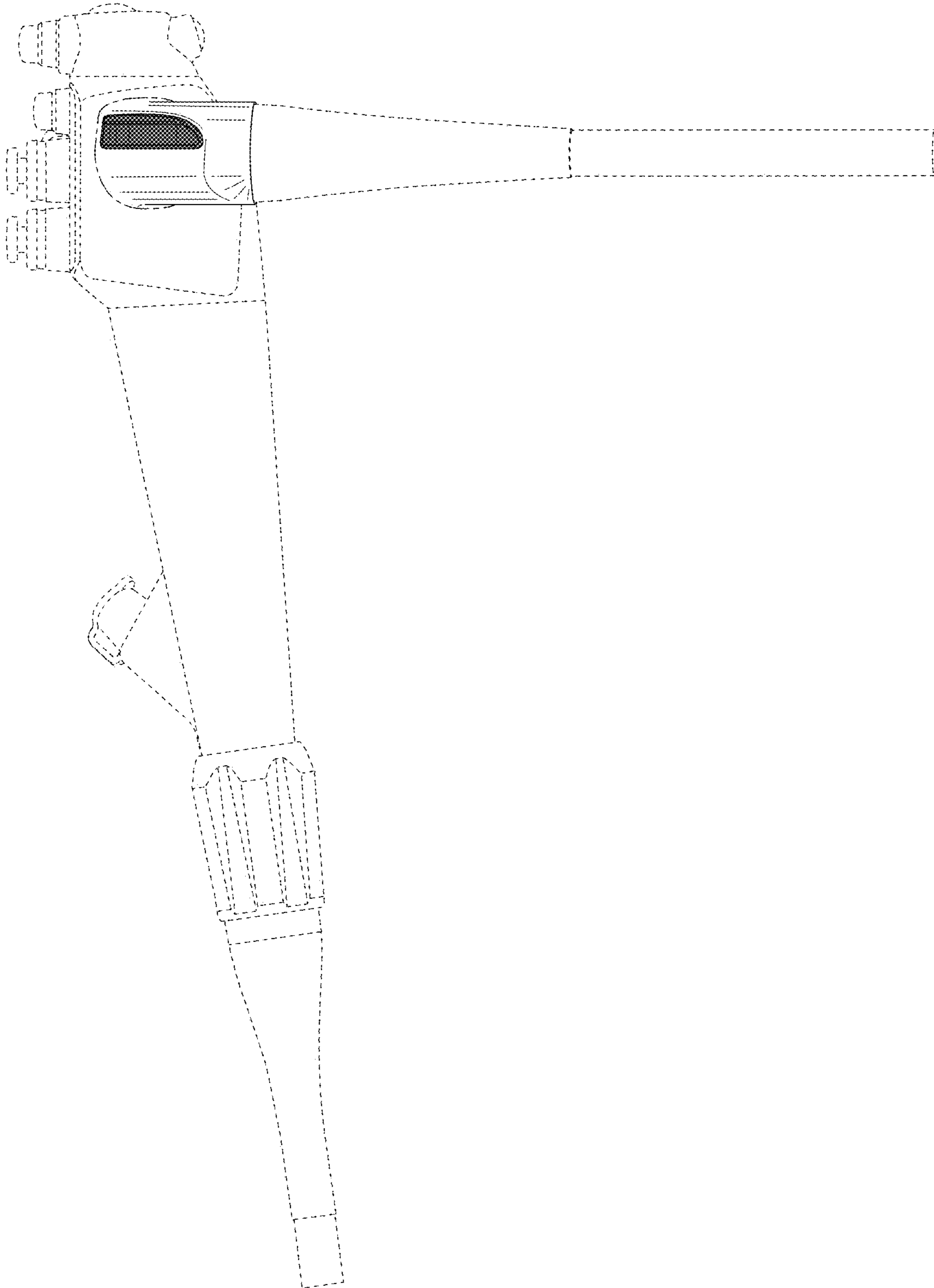


Fig.2

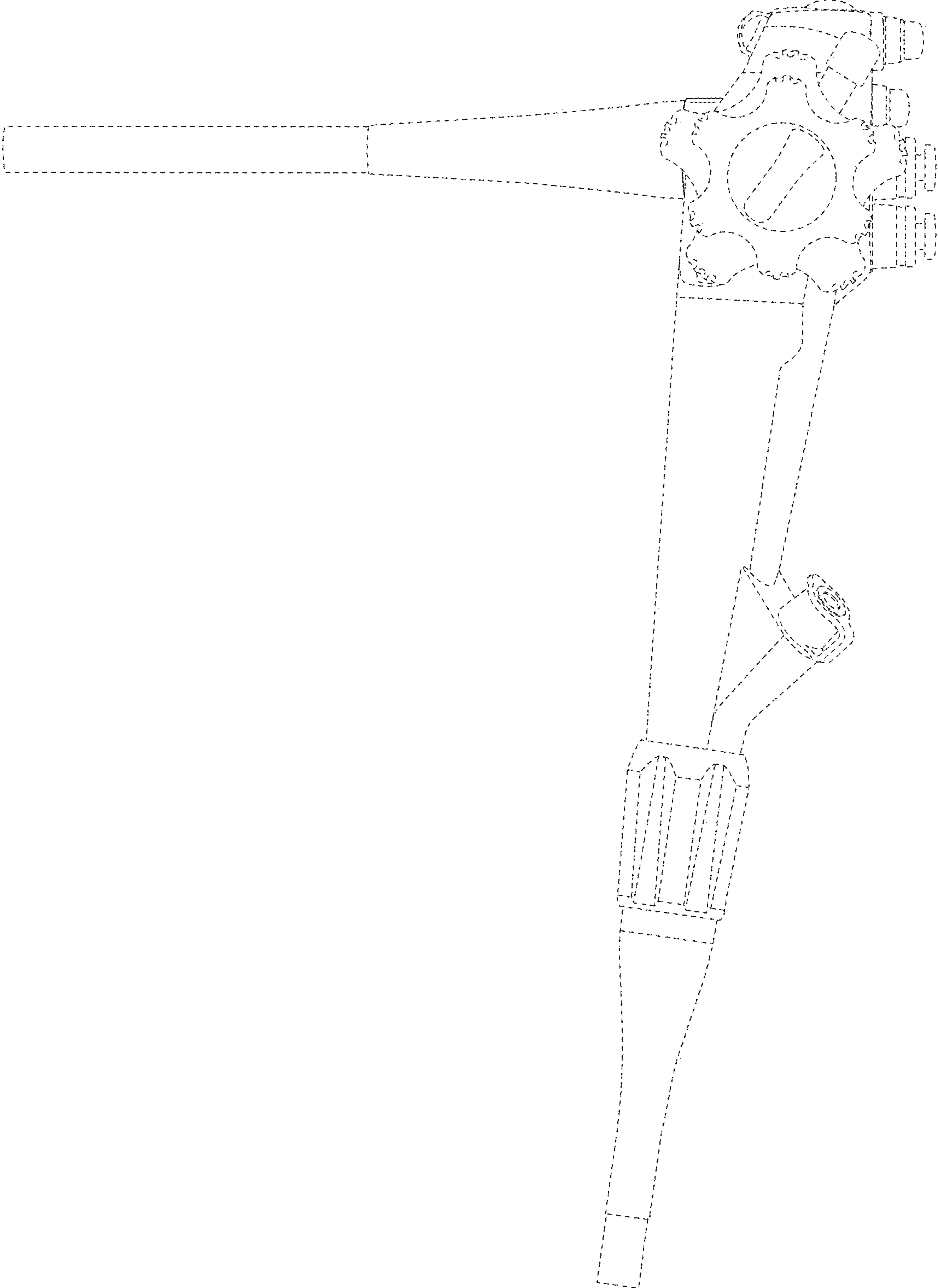


Fig. 3

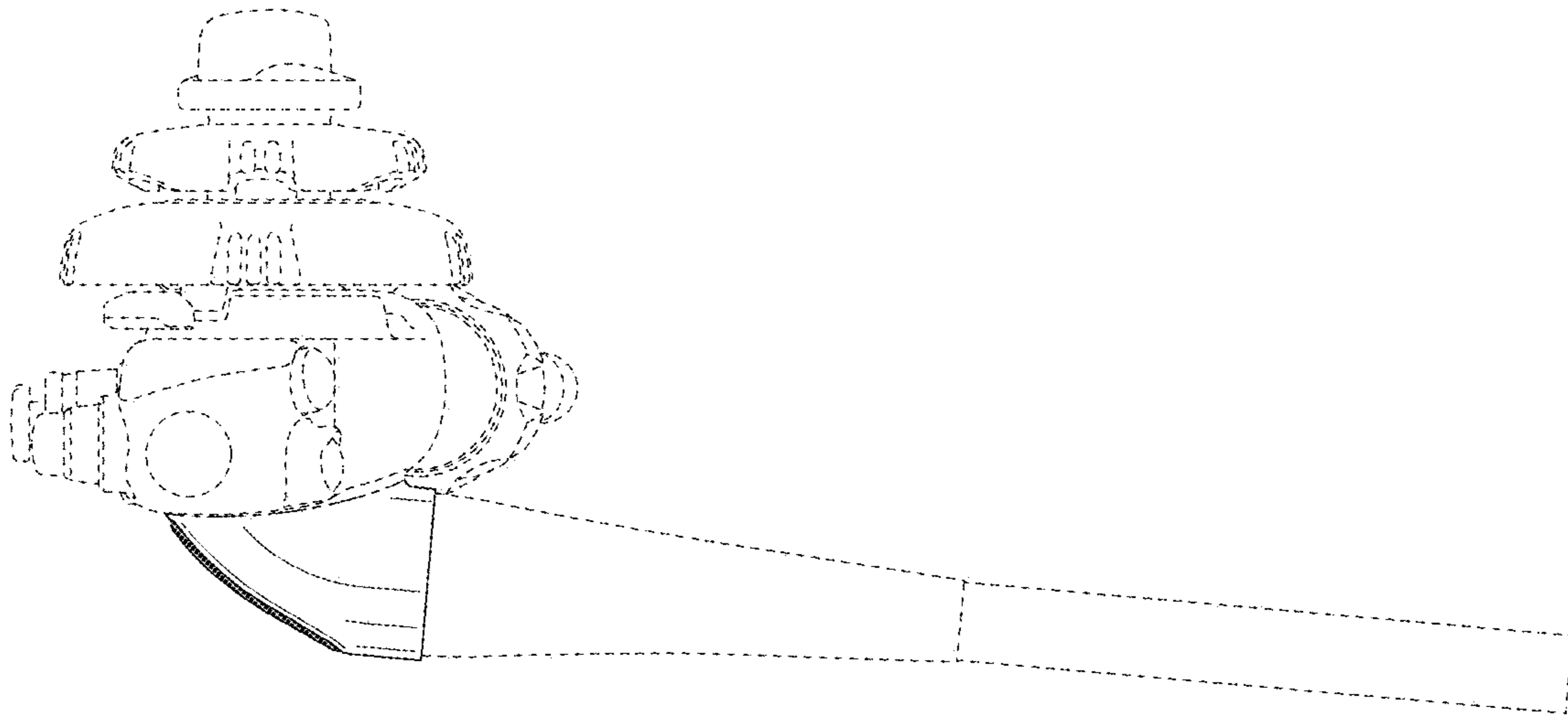


Fig. 4

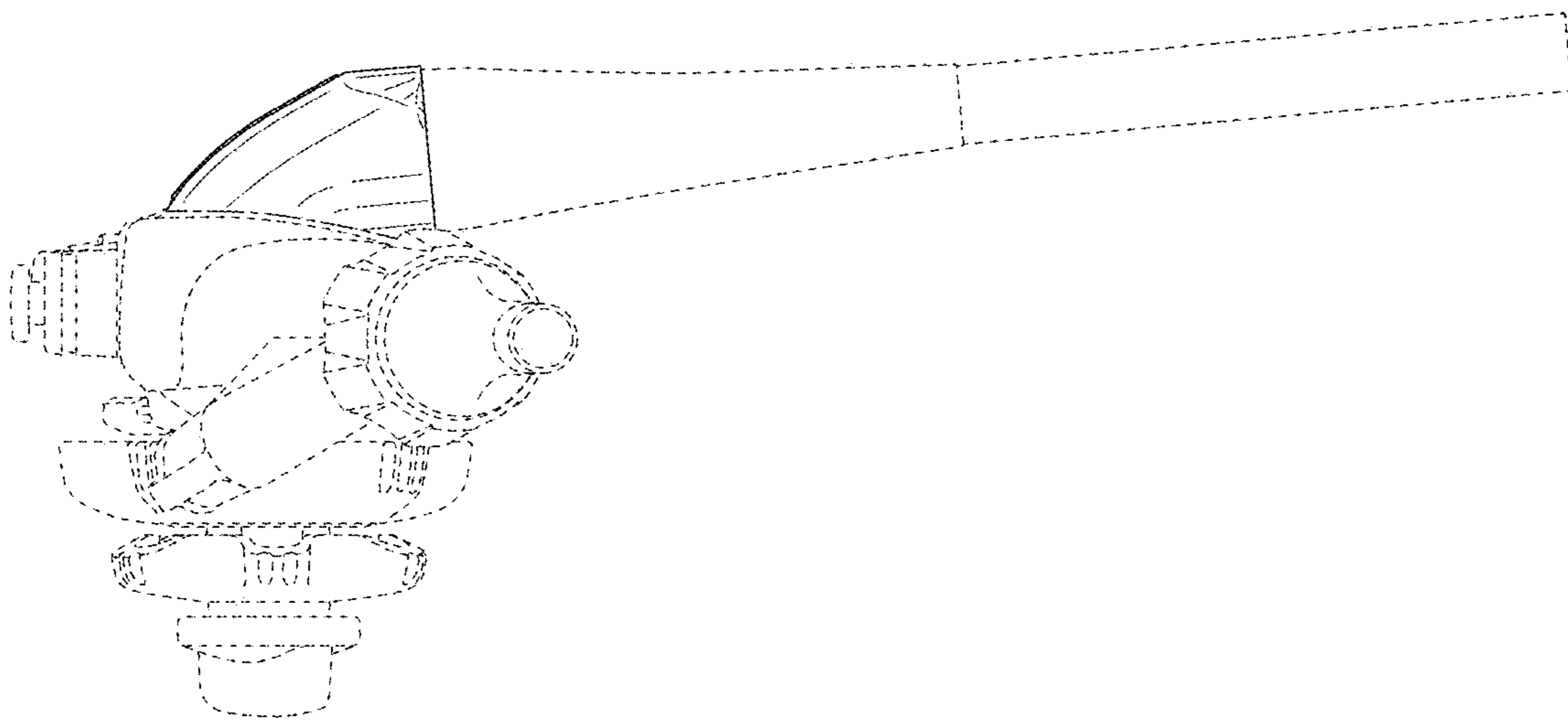


Fig. 5

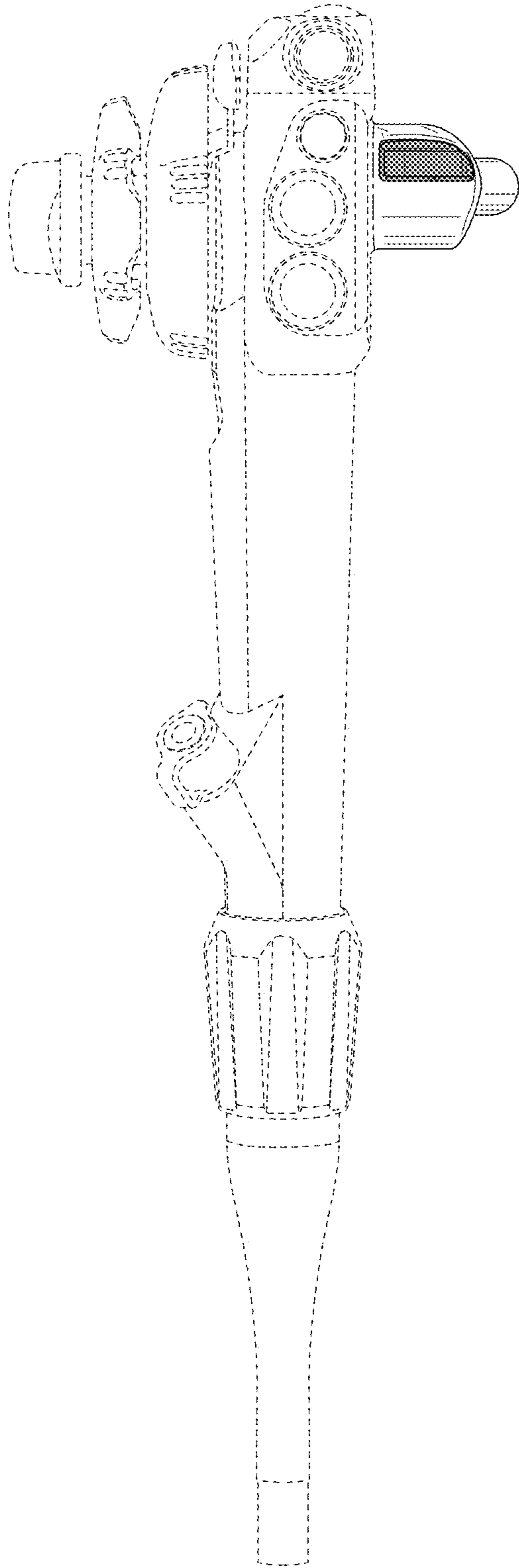


Fig. 6

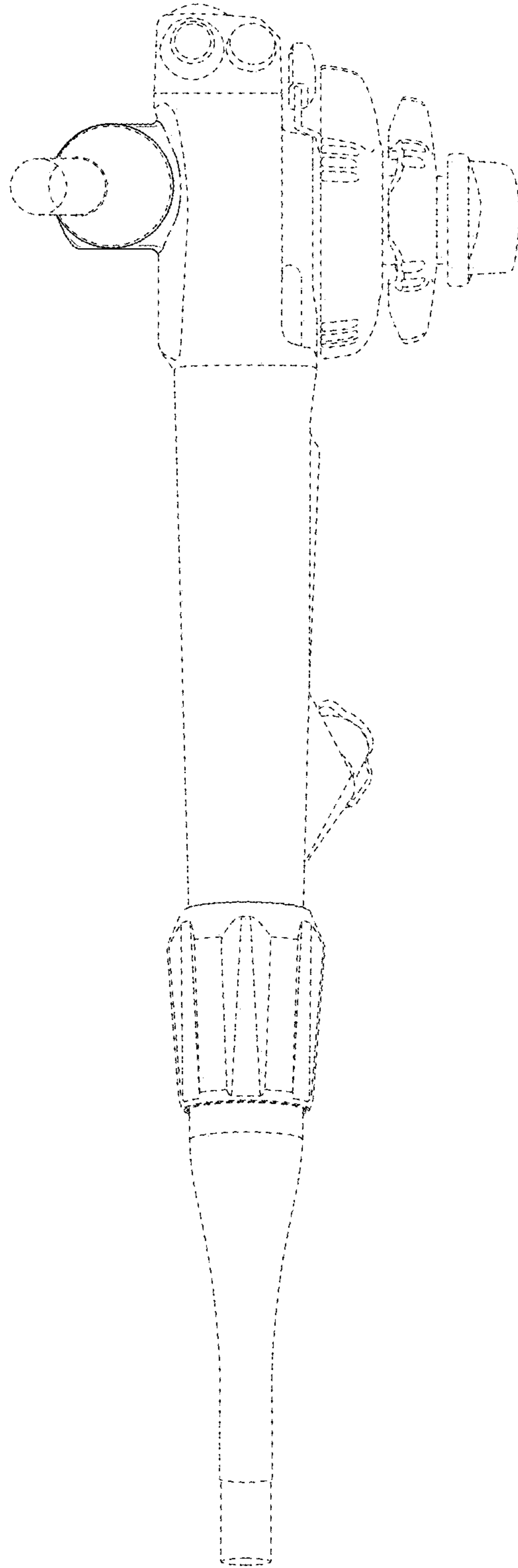


Fig. 7

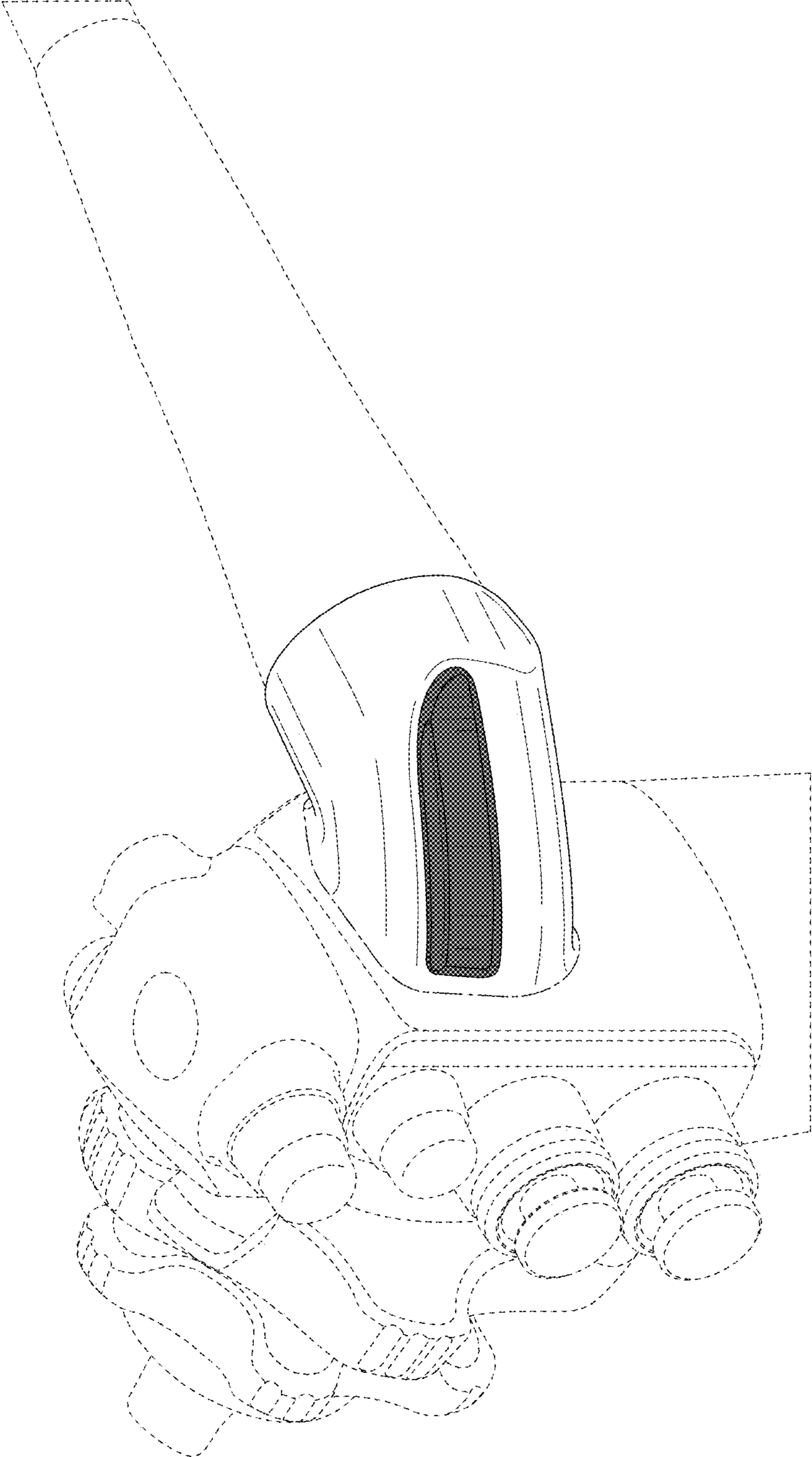


Fig. 8