



US00D872260S

(12) **United States Design Patent**
Tracey et al.

(10) **Patent No.:** **US D872,260 S**

(45) **Date of Patent:** **** Jan. 7, 2020**

- (54) **RESERVOIR**
- (71) Applicant: **DEKA Products Limited Partnership**,
Manchester, NH (US)
- (72) Inventors: **Brian D. Tracey**, Litchfield, NH (US);
Kevin L. Grant, Litchfield, NH (US)
- (73) Assignee: **DEKA Products Limited Partnership**,
Manchester, NH (US)
- (**) Term: **15 Years**
- (21) Appl. No.: **29/629,098**
- (22) Filed: **Dec. 11, 2017**
- (51) **LOC (12) Cl.** **24-02**
- (52) **U.S. Cl.**
USPC **D24/117**
- (58) **Field of Classification Search**
USPC D24/113, 114, 115, 116, 117, 118, 119,
D24/133, 146, 147, 107, 108, 111, 112,
D24/169, 186, 231; D8/83, 91, 99, 107;
604/93.01
CPC . A61B 5/15113; A61B 5/15111; A61B 5/151;
A61B 5/15153; A61B 5/15161; A61B
5/15182; A61B 5/15186; A61M 1/008;
A61M 2005/14573; A61M 2005/16863;
A61M 2205/3306; A61M 2205/332;
A61M 5/14; A61M 5/14244; A61M
5/1452; A61M 5/1456; A61M 5/3129
See application file for complete search history.

(56) **References Cited**

U.S. PATENT DOCUMENTS

D404,482 S *	1/1999	Falk	D24/113
D461,241 S *	8/2002	Moberg	D24/111
D564,087 S *	3/2008	Yodfat	D24/108
7,399,309 B2 *	7/2008	Pietrabissa	A61B 17/2841
				433/159
D581,533 S *	11/2008	Ruf	D24/146
D612,935 S *	3/2010	Horth	D24/115

7,837,633 B2 *	11/2010	Conway	A61B 5/15022
				600/573
7,967,022 B2 *	6/2011	Grant	A61M 1/1037
				137/100
D642,698 S *	8/2011	Stanley	D23/249
D648,852 S *	11/2011	Shi	D24/146
D717,298 S *	11/2014	Sale	D14/371
9,662,438 B2 *	5/2017	Kamen	A61M 5/14244
D804,674 S *	12/2017	Im	D24/186
D806,864 S *	1/2018	Shi	D24/117
D809,134 S *	1/2018	Crothall	D24/111
9,907,943 B2 *	3/2018	Grant	A61M 5/14586
D831,189 S *	10/2018	Fang	D24/107
10,238,794 B2 *	3/2019	Kamen	G16H 20/17
2008/0170903 A1 *	7/2008	Horth	A61C 5/60
				401/129
2013/0066265 A1 *	3/2013	Grant	A61M 5/14244
				604/93.01

* cited by examiner

Primary Examiner — Cathron C Brooks

Assistant Examiner — Samantha Q Lawrence

(74) *Attorney, Agent, or Firm* — Michelle Saquet Temple

(57) **CLAIM**

The ornamental design for a reservoir, as shown.

DESCRIPTION

FIG. 1 is a front-top perspective view of a reservoir showing the claimed design;

FIG. 2 is a front view thereof;

FIG. 3 is a back view thereof;

FIG. 4 is a right side view thereof

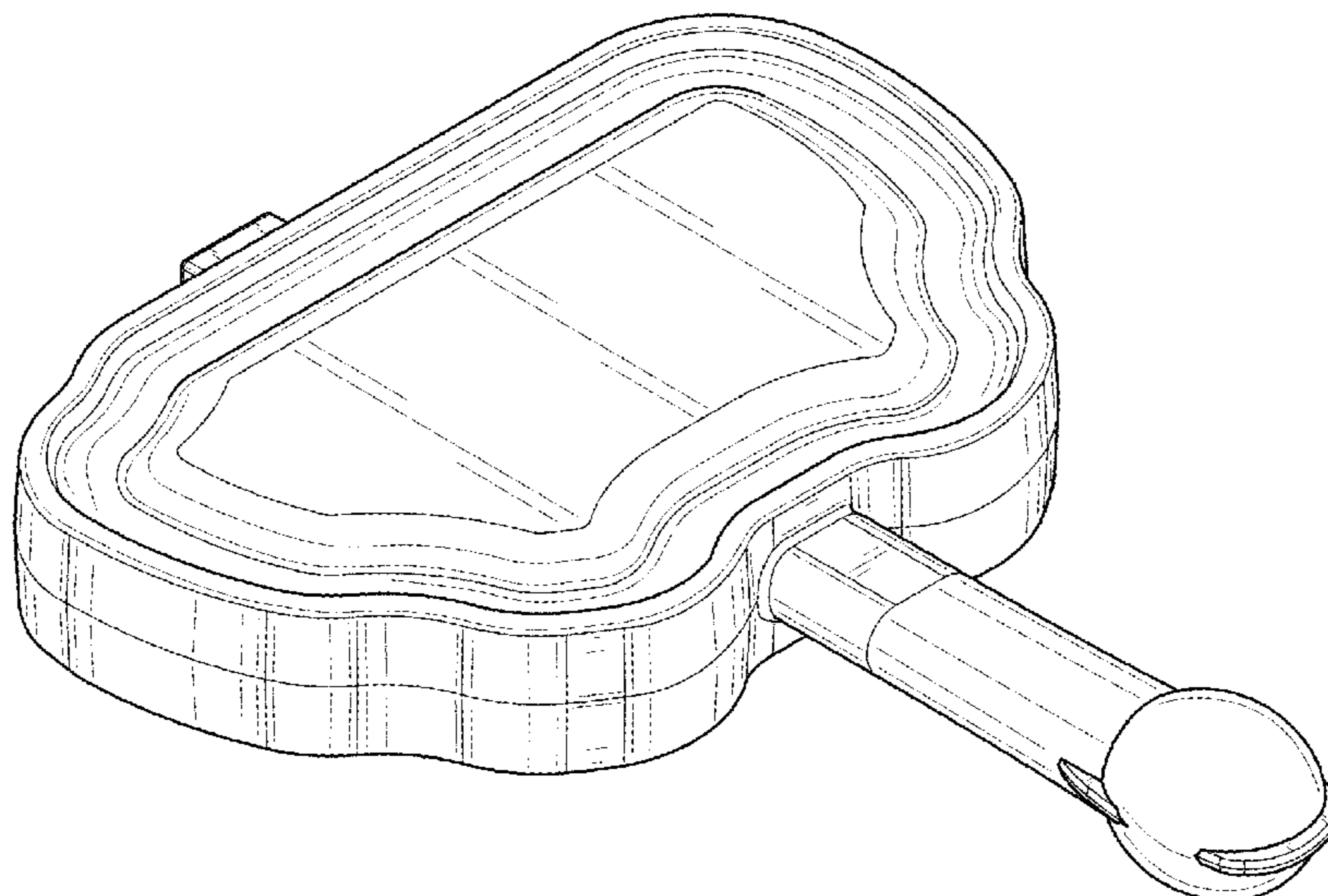
FIG. 5 is a left side view thereof;

FIG. 6 is a top view thereof; and,

FIG. 7 is a bottom view thereof.

The shade lines in the figures show contour and not surface ornamentation.

1 Claim, 7 Drawing Sheets



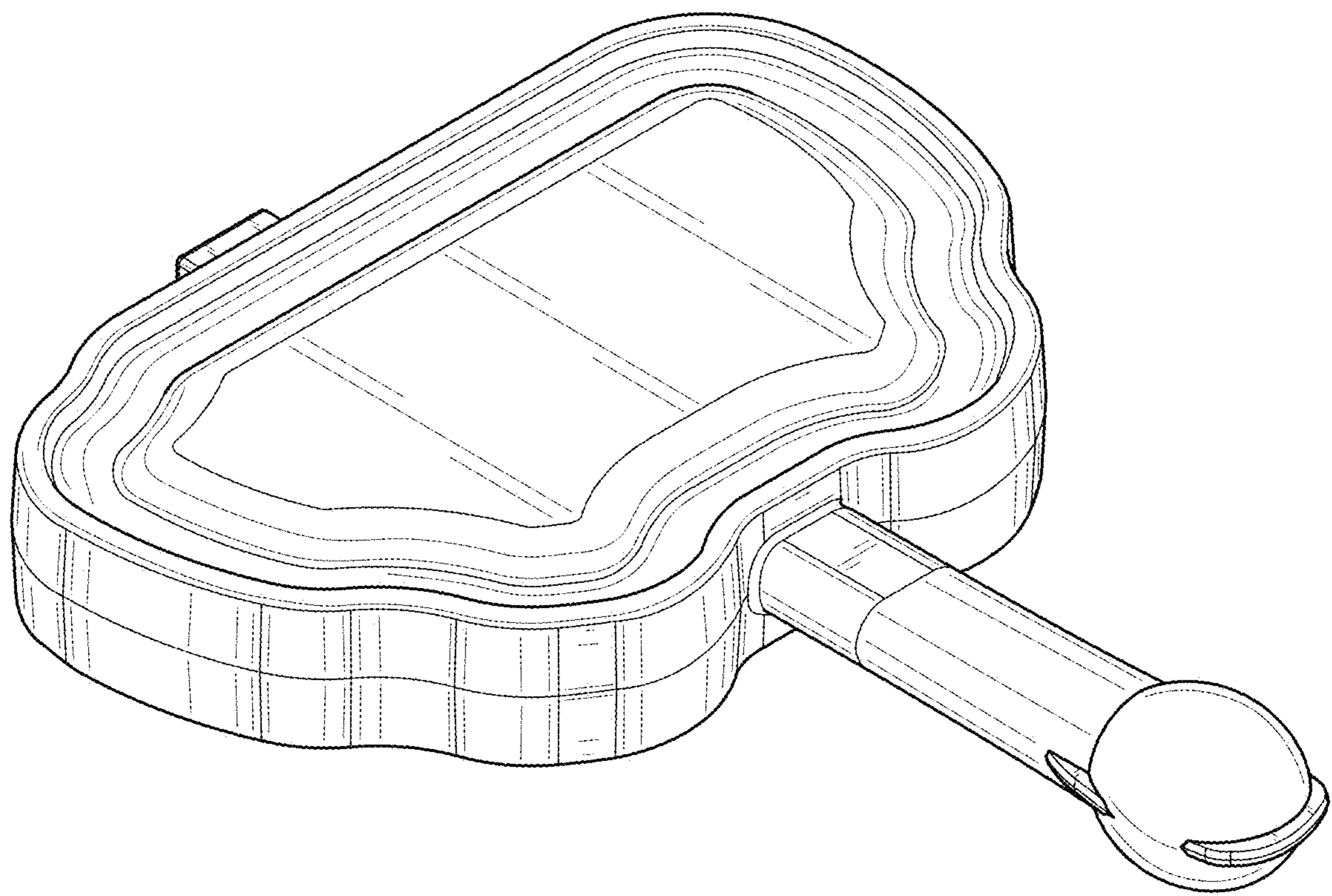


FIG. 1

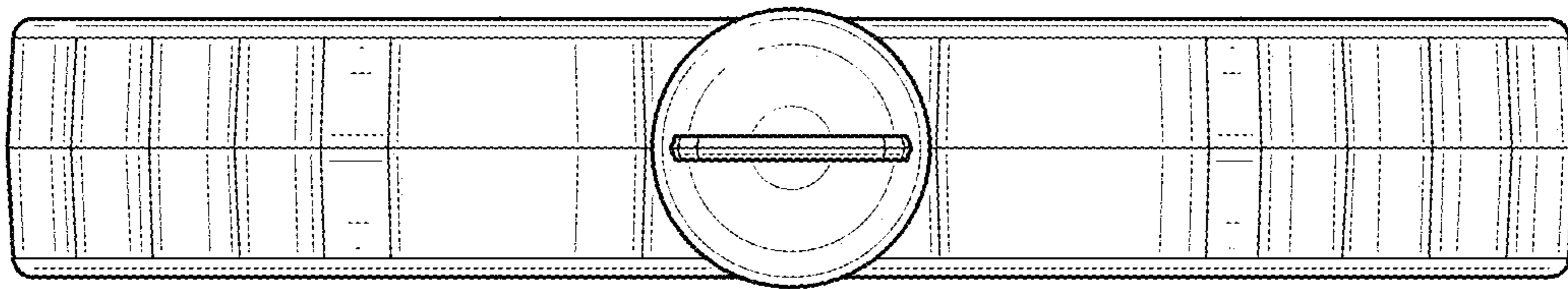


FIG. 2

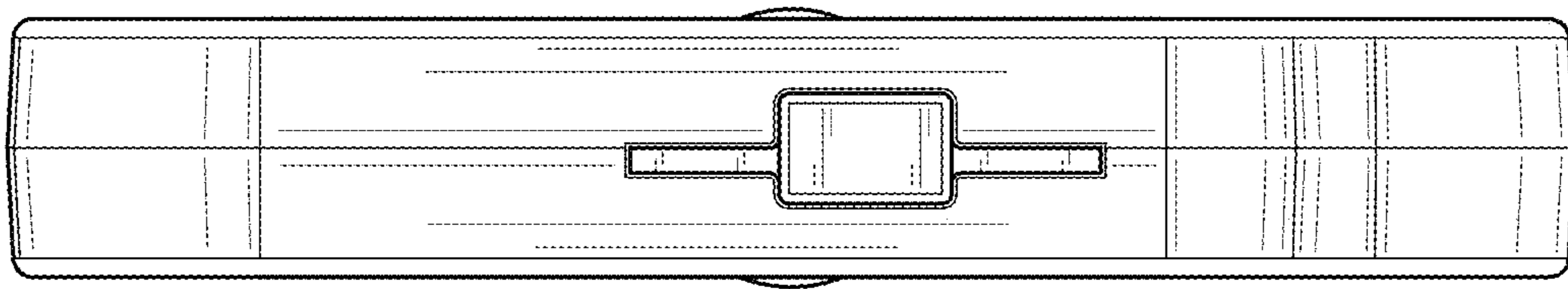


FIG. 3

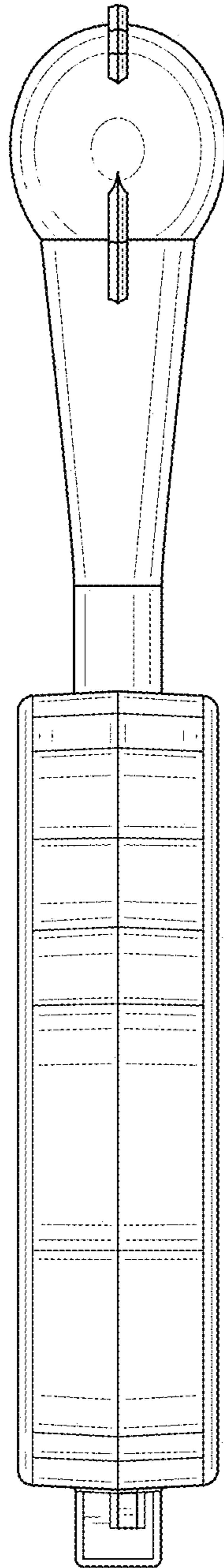


FIG. 4

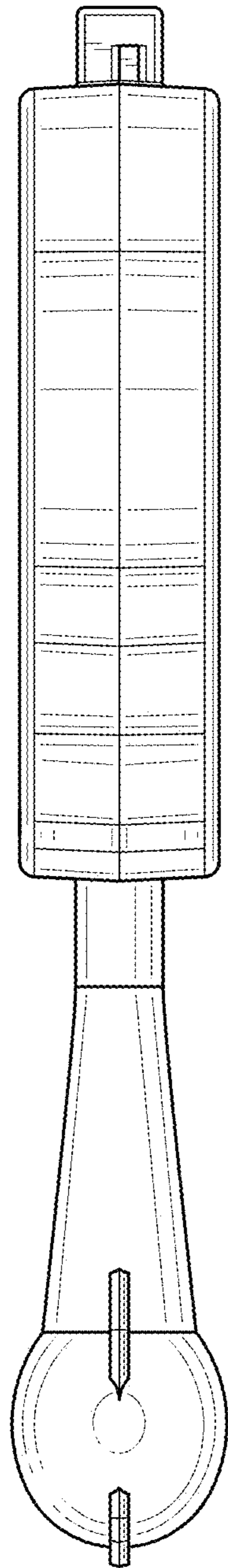


FIG. 5

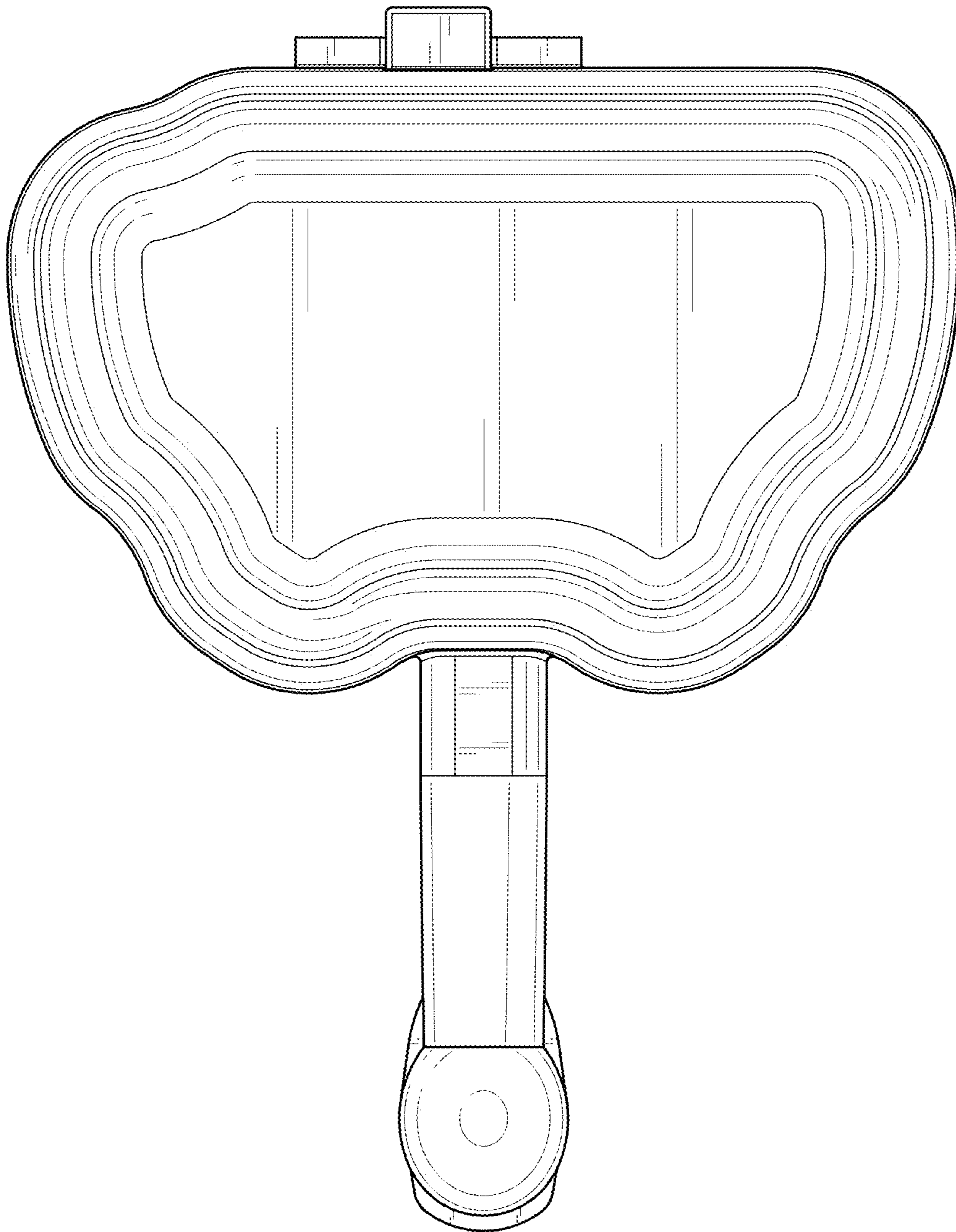


FIG. 6

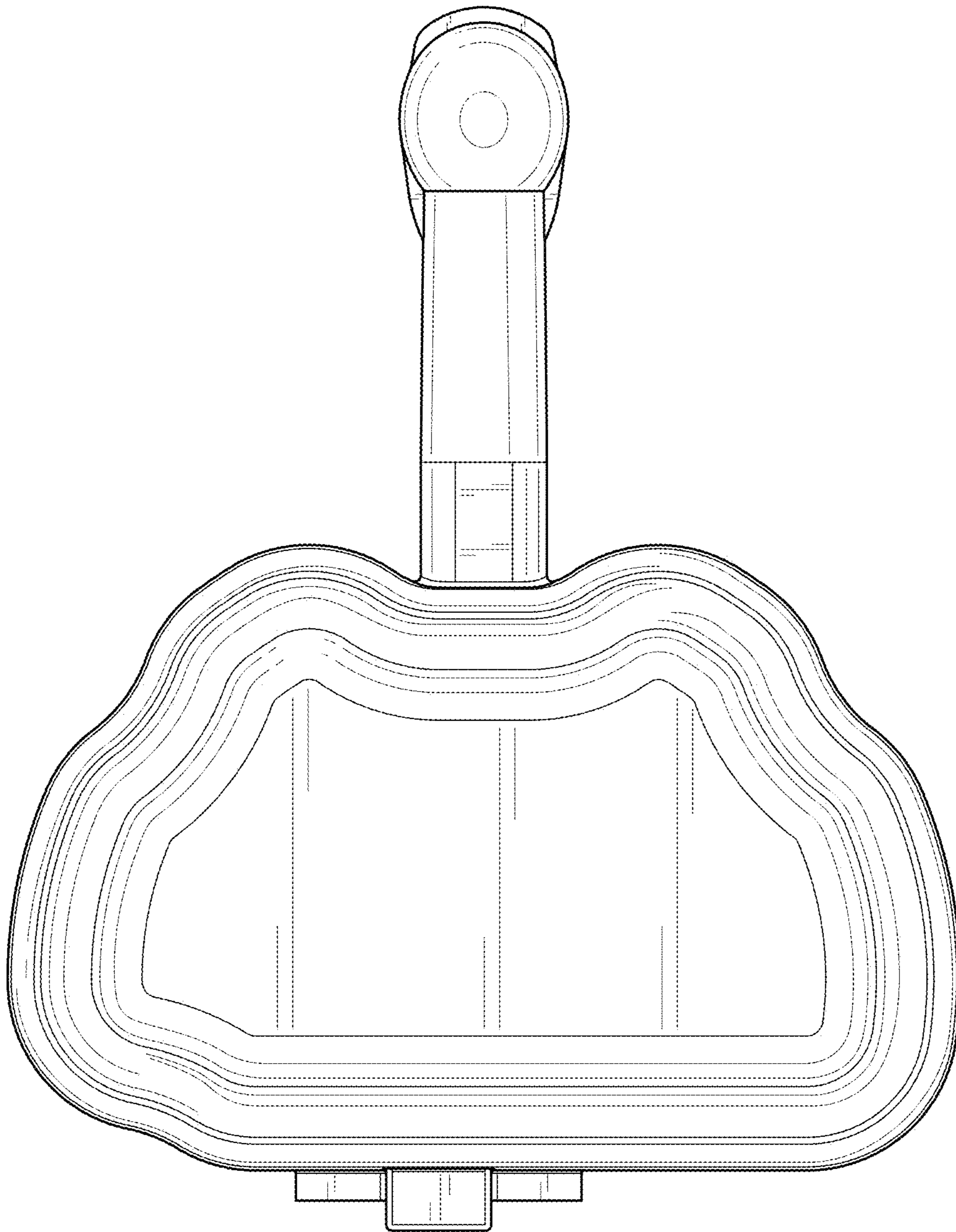


FIG. 7