



US00D872259S

(12) **United States Design Patent**
Guo et al.

(10) **Patent No.:** **US D872,259 S**
(45) **Date of Patent:** **** Jan. 7, 2020**

(54) **MULTI-BARREL SYRINGE APPLICATOR**

(71) Applicant: **Ethicon, Inc.**, Somerville, NJ (US)

(72) Inventors: **Jianxin Guo**, Livingston, NJ (US);
Jared Schneider, Union, NJ (US)

(73) Assignee: **ETHICON, INC.**, Somerville, NJ (US)

(**) Term: **15 Years**

(21) Appl. No.: **29/688,327**

(22) Filed: **Apr. 19, 2019**

Related U.S. Application Data

(63) Continuation of application No. 15/957,241, filed on Apr. 19, 2018.

(51) **LOC (12) Cl.** **24-02**

(52) **U.S. Cl.**
USPC **D24/114**

(58) **Field of Classification Search**

USPC D24/127-131, 112-114, 133, 186;
606/181, 185; 604/264, 523-528, 272,
604/187, 158, 164.01-164.11, 181, 184,
604/227; 600/101, 139, 143;
128/200.24, 207.14, 207.15
CPC .. A61M 25/065; A61M 5/42; A61M 25/0612;
A61M 25/00; A61M 39/00; A61M 27/00;
A61M 25/0043; A61M 25/0067; A61M
25/0097; A61F 2/958
See application file for complete search history.

(56) **References Cited**

U.S. PATENT DOCUMENTS

5,354,284 A 10/1994 Haber et al.
5,582,596 A 12/1996 Fukunaga et al.
D547,447 S * 7/2007 Bruce D24/130
D649,240 S * 11/2011 Lewis D24/129

D653,329 S * 1/2012 Lee-Sepsick D24/112
D660,957 S * 5/2012 Lee-Sepsick D24/112
D672,456 S * 12/2012 Lee-Sepsick D24/112
D709,612 S * 7/2014 Lewis D24/129
D747,473 S * 1/2016 Martin D24/129
D748,246 S * 1/2016 Perthu D24/114
D749,721 S * 2/2016 Dziak D24/129
9,486,190 B2 11/2016 Sherman et al.
D828,918 S * 9/2018 Eisele D24/113
D834,181 S * 11/2018 Lee-Sepsick D24/112

(Continued)

FOREIGN PATENT DOCUMENTS

EP 2158848 A1 3/2010
WO 2017086807 A1 5/2017

Primary Examiner — David G Muller

(74) *Attorney, Agent, or Firm* — Roberts Mlotkowski
Safran Cole & Calderon, P.C.

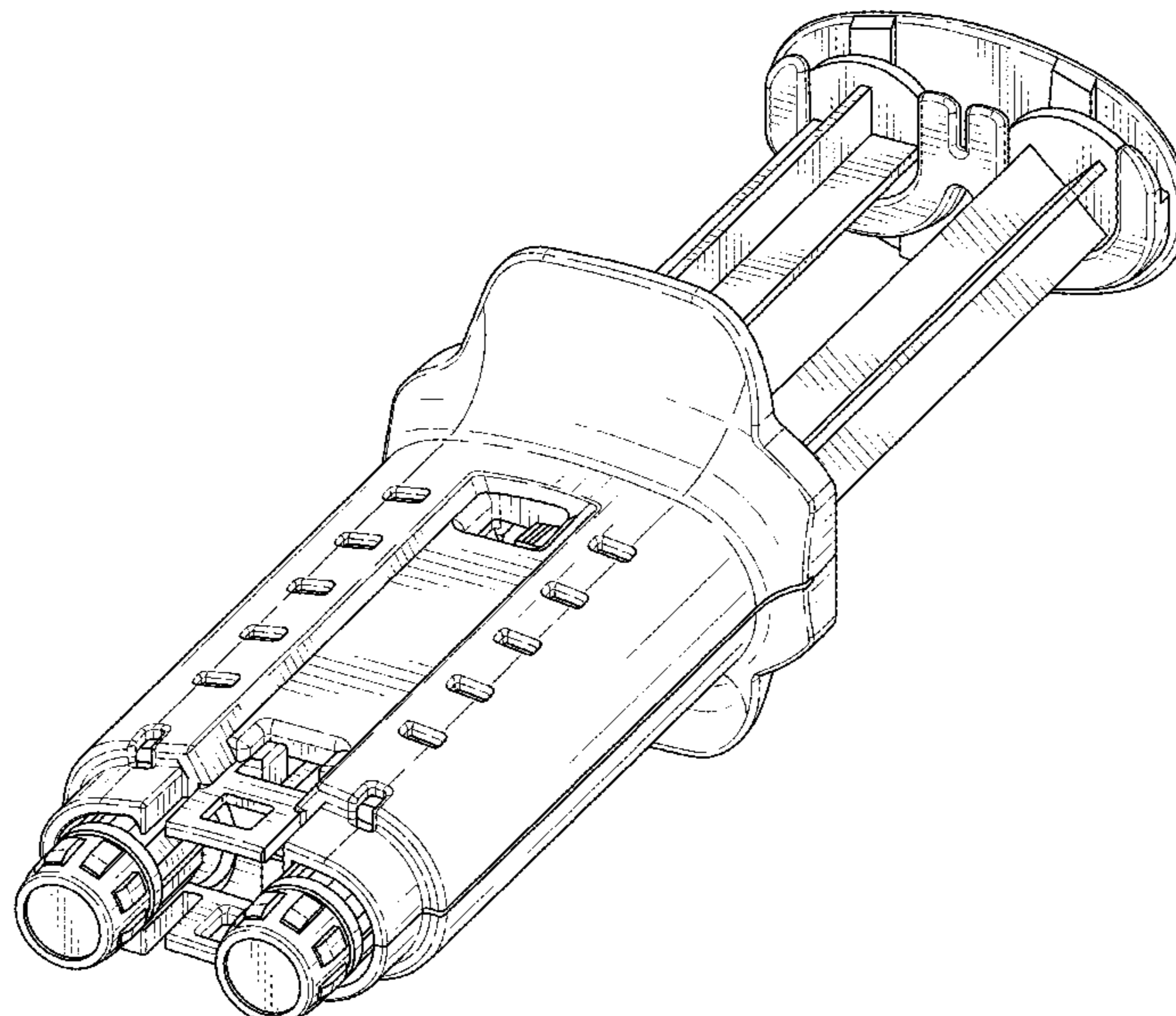
(57) **CLAIM**

We claim the ornamental design of a multi-barrel syringe applicator, as shown and described.

DESCRIPTION

FIG. 1 is a front perspective view of a multi-barrel syringe applicator;
FIG. 2 is a rear perspective view of a multi-barrel syringe applicator;
FIG. 3 is a front elevational view of a multi-barrel syringe applicator;
FIG. 4 is a rear elevational view of a multi-barrel syringe applicator;
FIG. 5 is a left-side elevational view of a multi-barrel syringe applicator, which is identical to the right-side elevational view, except that the plungers are reversed; and,
FIG. 6 is a top plan view of a multi-barrel syringe applicator, which is a mirror image of the bottom plan view.

1 Claim, 5 Drawing Sheets



(56)

References Cited

U.S. PATENT DOCUMENTS

D838,366 S * 1/2019 Lewis D24/129
10,391,234 B2 * 8/2019 Sams A61M 39/08

* cited by examiner

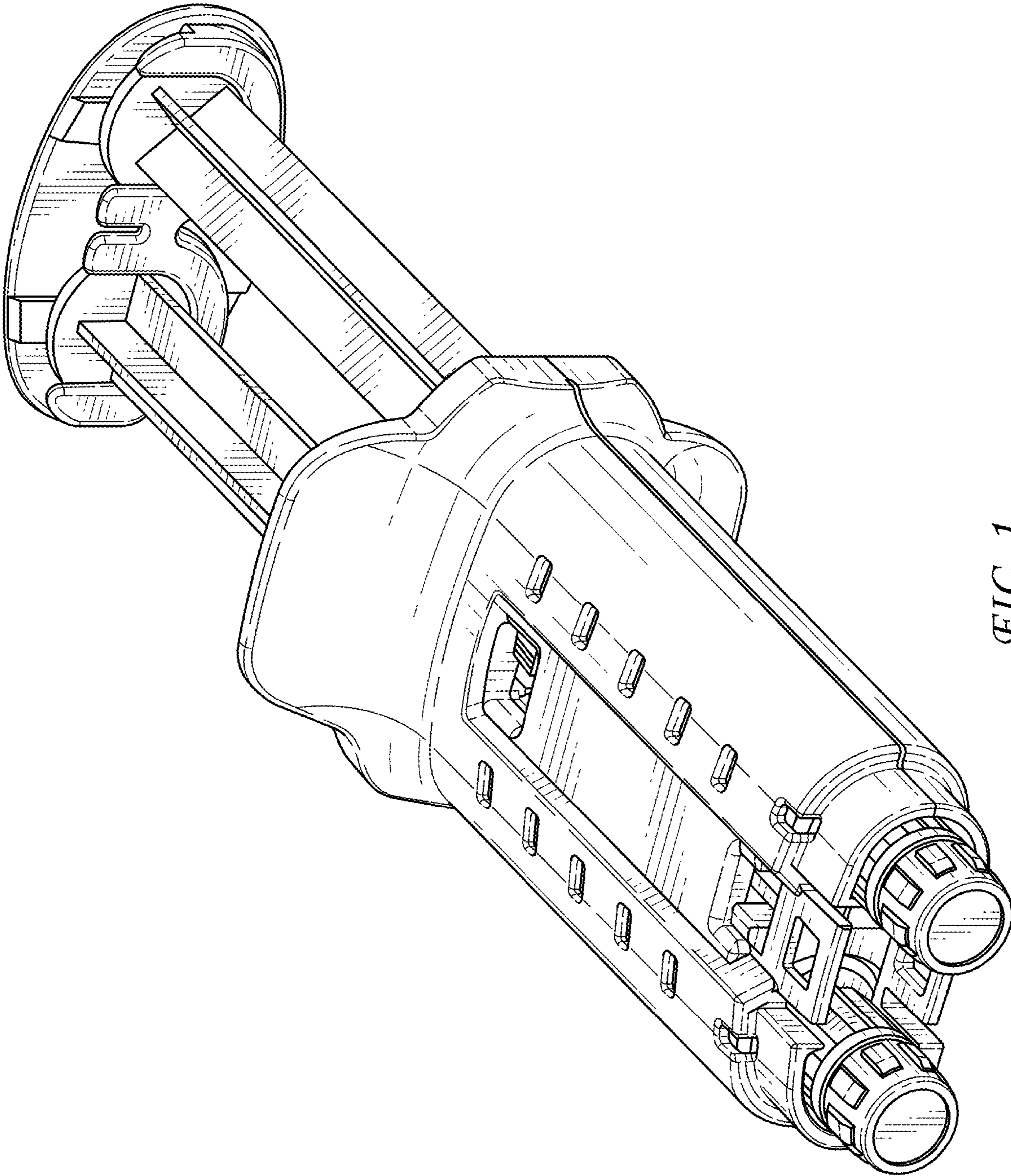


FIG. 1

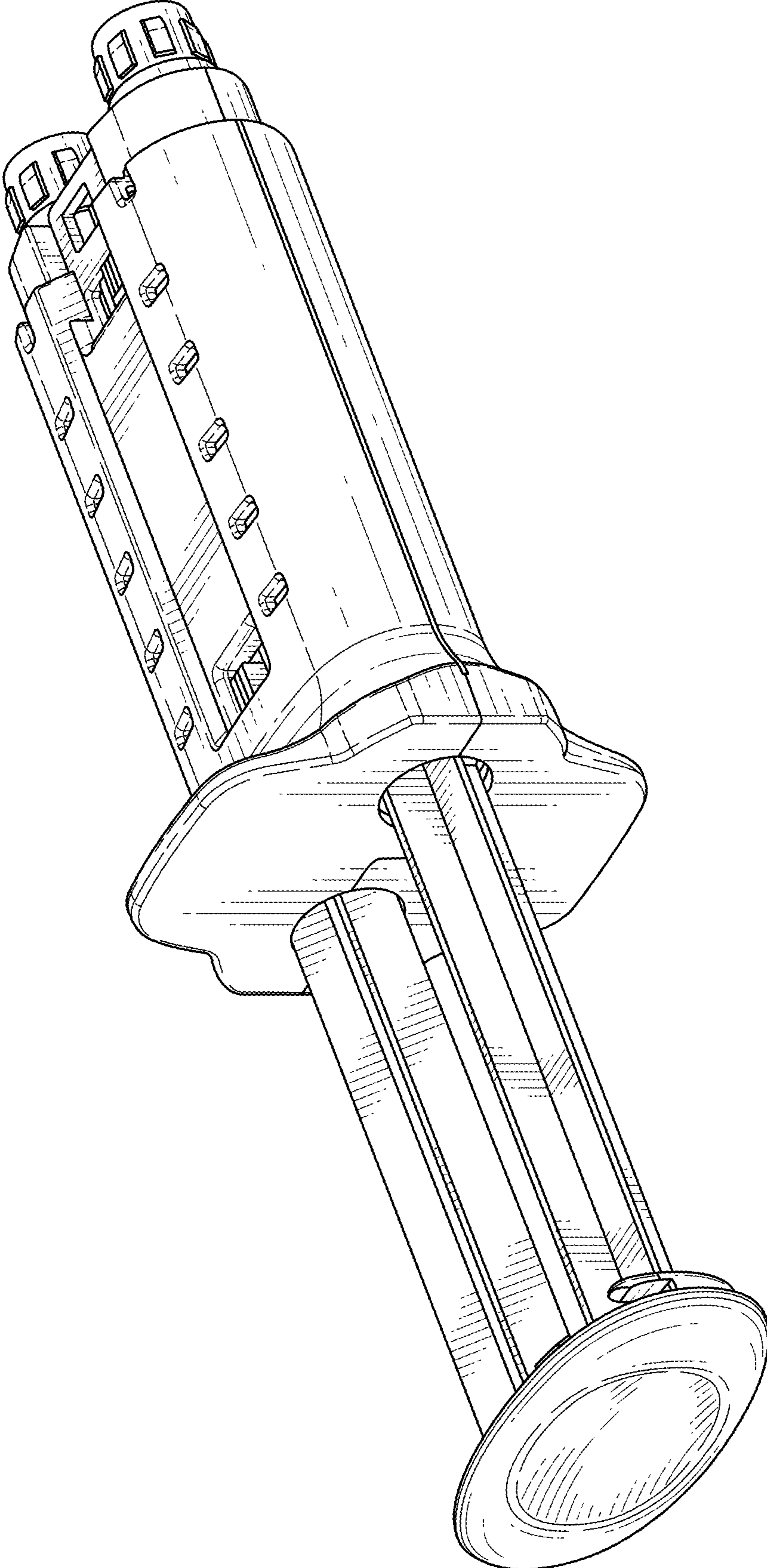


FIG. 2

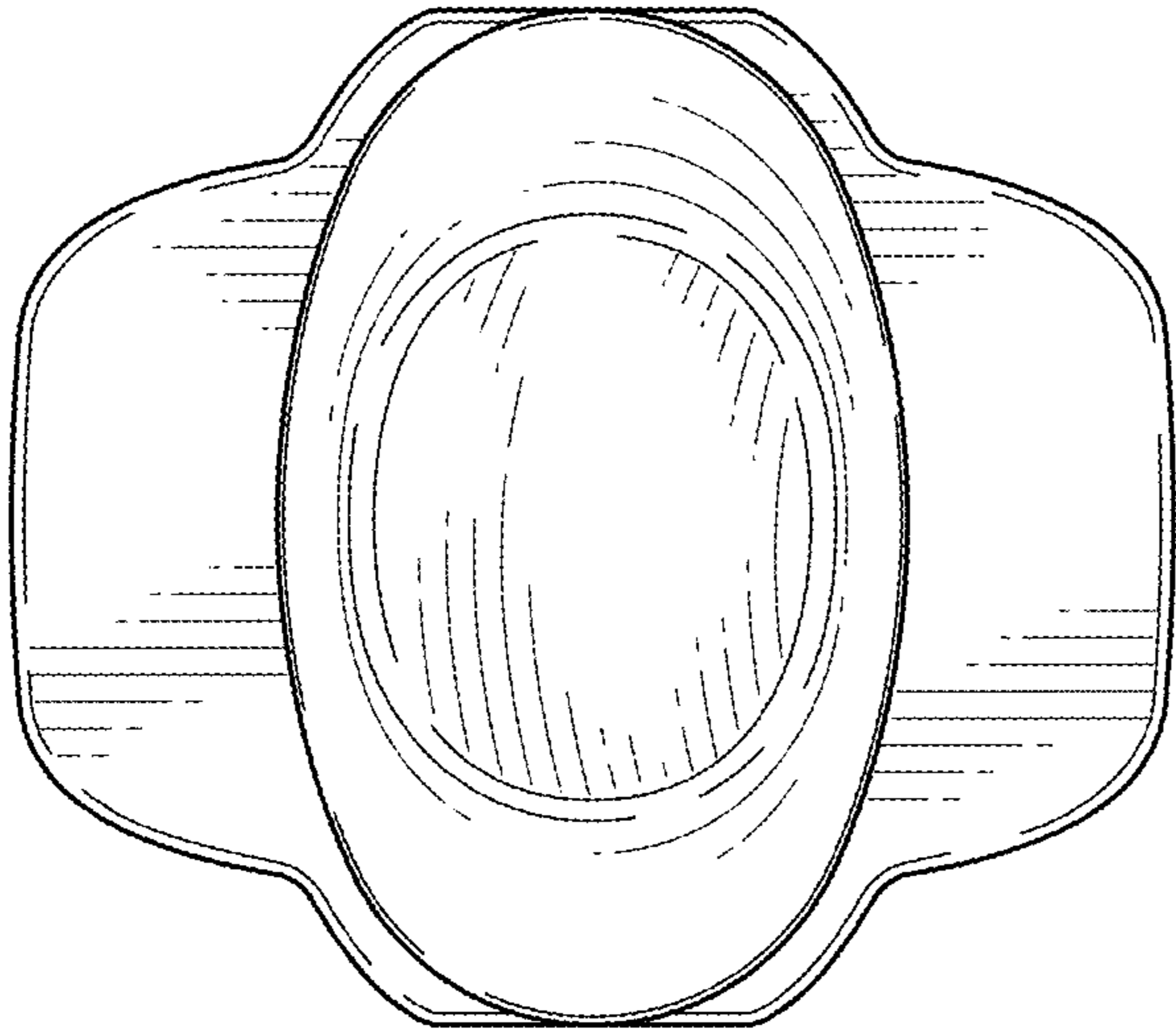


FIG. 4

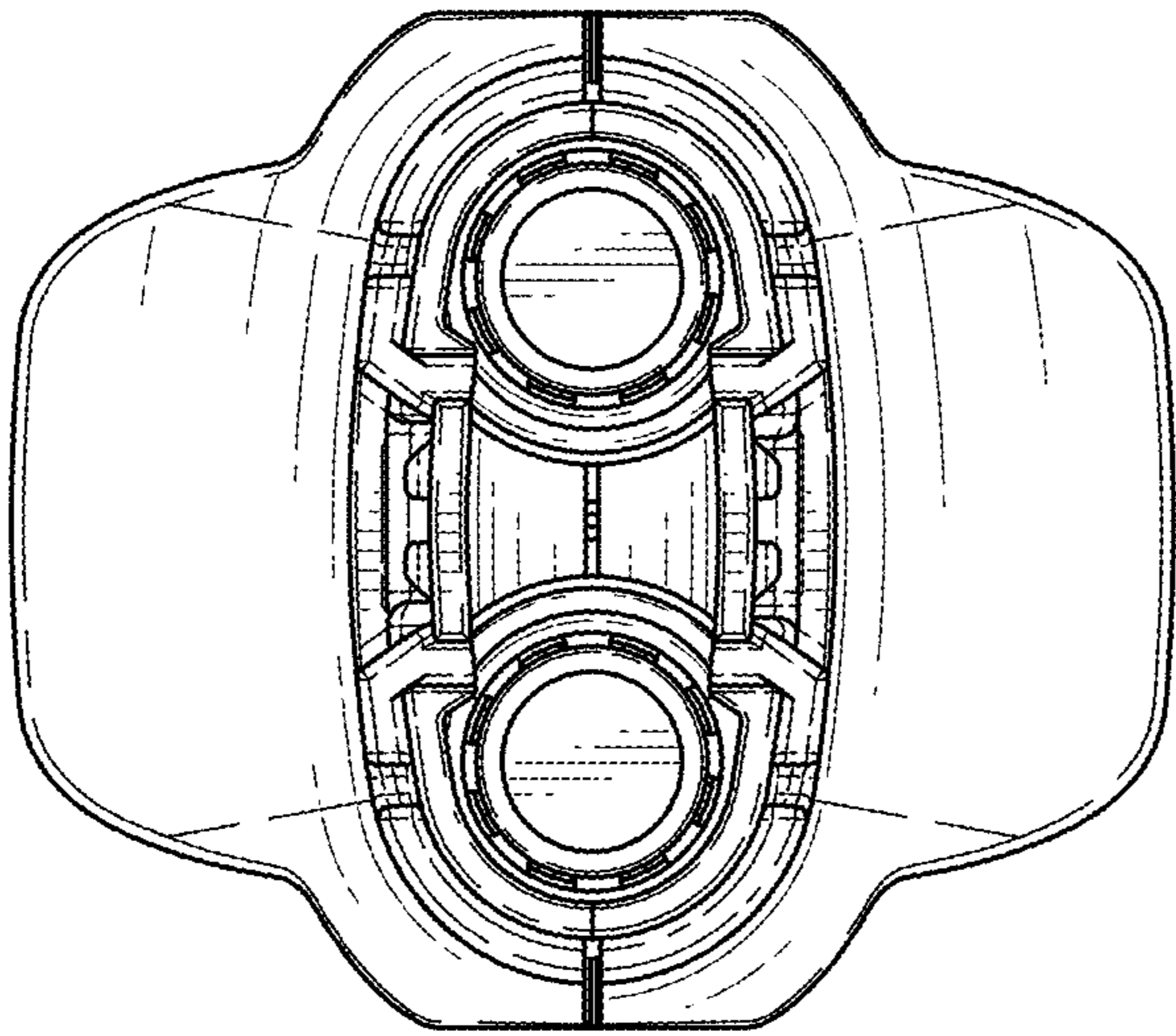


FIG. 3

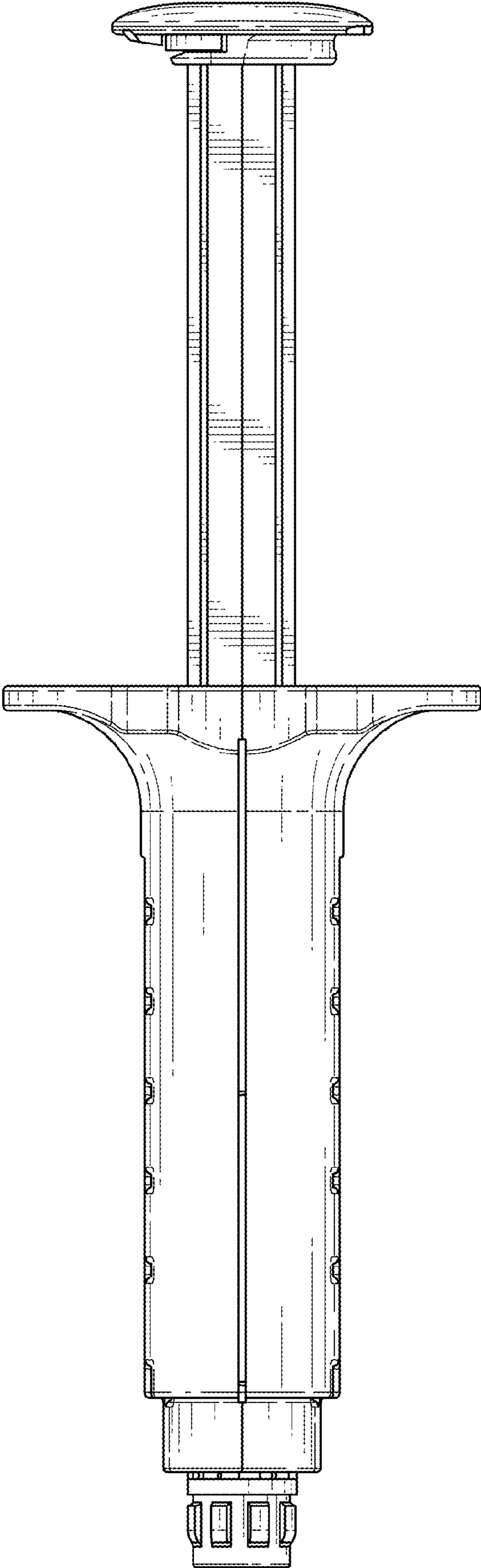


FIG. 5

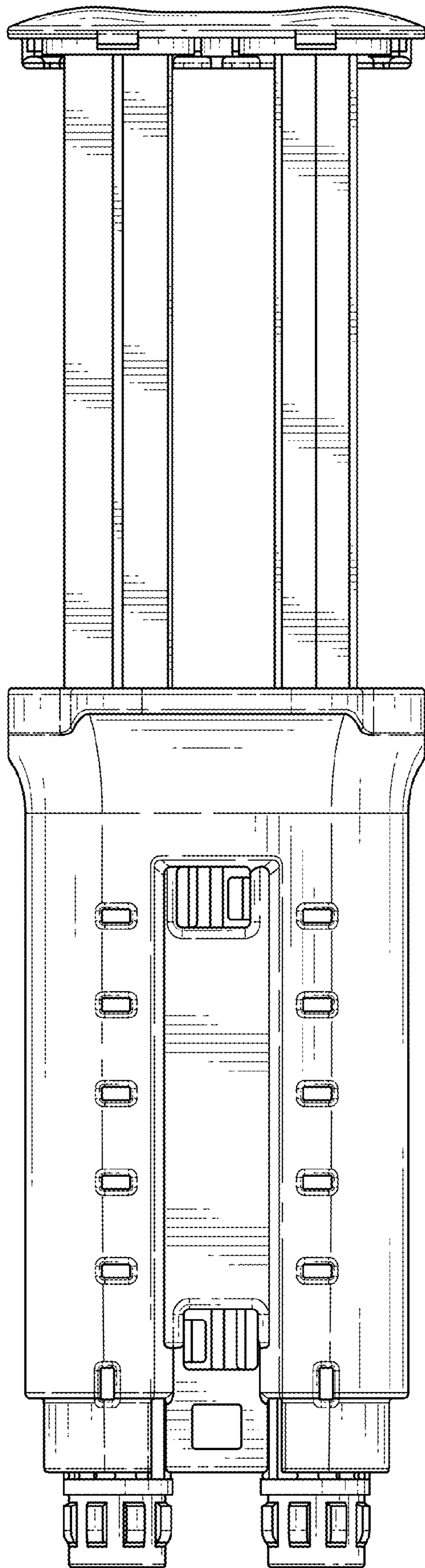


FIG. 6