

US00D872255S

(12) **United States Design Patent**  
**Shiu et al.**

(10) **Patent No.: US D872,255 S**

(45) **Date of Patent: \*\* Jan. 7, 2020**

(54) **FRAME OF FAN**

(71) Applicant: **DELTA ELECTRONICS, INC.**,  
Taoyuan (TW)

(72) Inventors: **Huei-Shin Shiu**, Taoyuan (TW);  
**Kun-Hung Chen**, Taoyuan (TW);  
**Ching-Hsiang Huang**, Taoyuan (TW)

(73) Assignee: **DELTA ELECTRONICS, INC.**,  
Taoyuan (TW)

(\*\*) Term: **15 Years**

(21) Appl. No.: **29/569,194**

(22) Filed: **Jun. 24, 2016**

(51) **LOC (12) Cl.** ..... **23-04**

(52) **U.S. Cl.**  
USPC ..... **D23/411**

(58) **Field of Classification Search**  
USPC ..... D23/370, 371, 378, 381, 382, 385,  
D23/411-414; D13/179  
CPC . F04D 5/00; F04D 27/00; F04D 25/10; F04D  
29/64; F04D 19/00; F24H 3/04; B65D  
71/00  
See application file for complete search history.

(56) **References Cited**

U.S. PATENT DOCUMENTS

4,834,615	A	*	5/1989	Mauch	.....	F24F 13/32 415/213.1
D482,115	S	*	11/2003	Chen	.....	D23/411
D483,109	S	*	12/2003	Chang	.....	D23/411
D485,613	S	*	1/2004	Xiao	.....	D23/411
D486,906	S	*	2/2004	Xiao	.....	D23/411
D487,800	S	*	3/2004	Chen	.....	D23/370
D492,986	S	*	7/2004	Chiu	.....	D23/370
D506,540	S	*	6/2005	Chiu	.....	D23/370
D507,637	S	*	7/2005	Chiu	.....	D23/370
D507,638	S	*	7/2005	Chiu	.....	D23/370
D507,639	S	*	7/2005	Chiu	.....	D23/370

D510,994	S	*	10/2005	Indio Da Costa	.....	D23/382
D531,716	S	*	11/2006	Watanabe	.....	D23/370
D553,239	S	*	10/2007	Wang	.....	D23/411
D599,471	S	*	9/2009	Borovicka	.....	D23/412
D625,402	S	*	10/2010	Yen	.....	D23/370
D684,249	S	*	6/2013	Herbst	.....	D23/370
D696,764	S	*	12/2013	Sato	.....	D13/179
D701,299	S	*	3/2014	Oba	.....	D23/370
D702,829	S	*	4/2014	Chen	.....	D23/379
D721,431	S	*	1/2015	Herbst	.....	D23/382
D745,955	S	*	12/2015	Chen	.....	D13/179
D806,223	S	*	12/2017	Allard	.....	D23/370

(Continued)

*Primary Examiner* — Janice Hallmark

(74) *Attorney, Agent, or Firm* — Kirton McConkie; Evan R. Witt

(57) **CLAIM**

The ornamental design for a frame of fan, as shown and described.

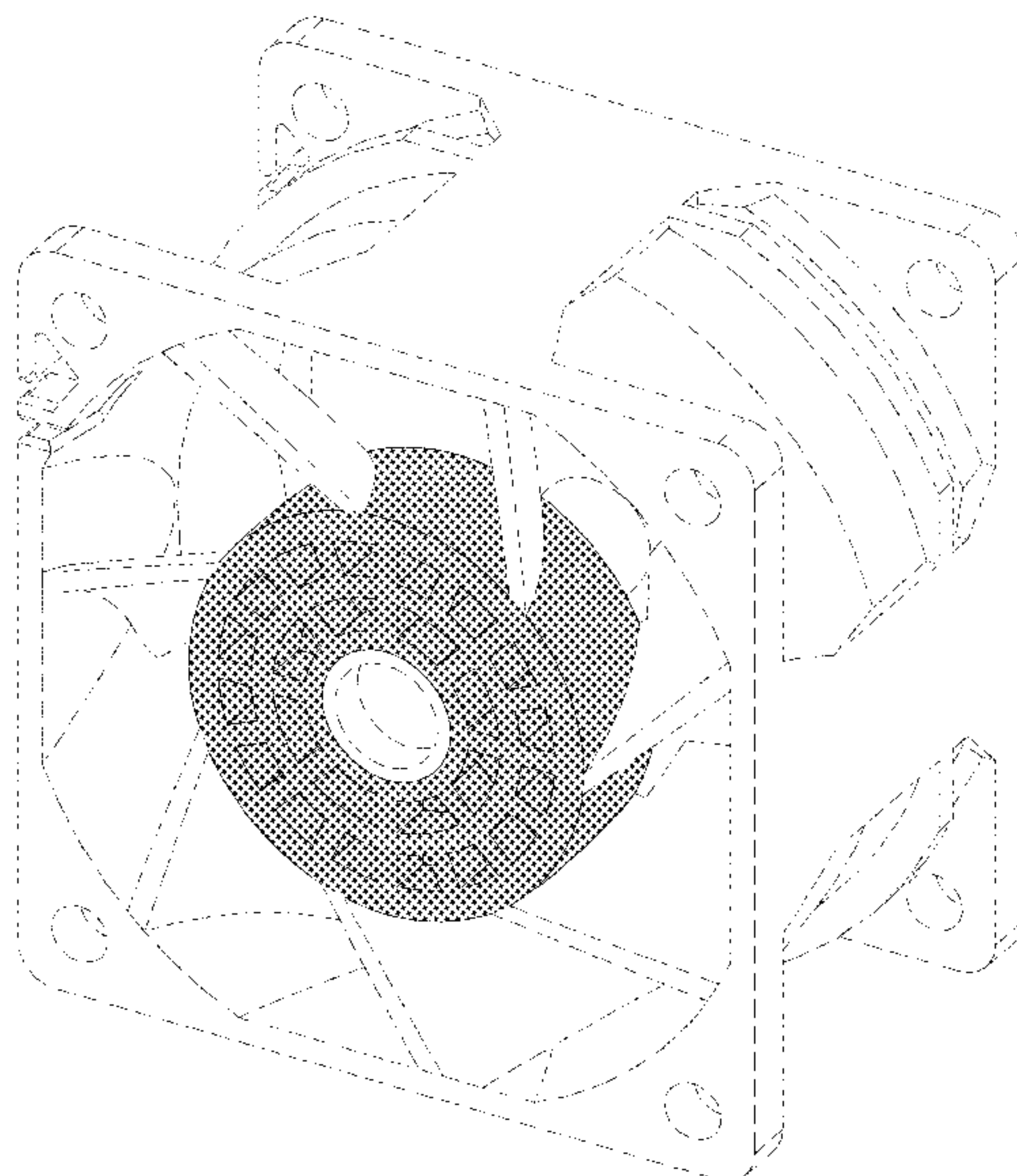
**DESCRIPTION**

FIG. 1 is a front perspective view of a frame of fan showing our new design;  
FIG. 2 is a front elevational view thereof;  
FIG. 3 is a rear elevational view thereof;  
FIG. 4 is a left side elevational view thereof;  
FIG. 5 is a right side elevational view thereof;  
FIG. 6 is a top plan view thereof;  
FIG. 7 is a bottom plan view thereof;  
FIG. 8 is another perspective view thereof; and,  
FIG. 9 is a cross-sectional view of the frame of fan of FIG. 8, and taken along the line AA.

The broken lines shown in the drawings are for illustrative purposes only and depict unclaimed portions of the frame of fan that form no part of the claimed design.

The gray scales shown in the Figures represent the claimed portion of the design and not any particular color and surface pattern.

**1 Claim, 9 Drawing Sheets**



(56)

**References Cited**

U.S. PATENT DOCUMENTS

D806,225 S *	12/2017	Chang .....	D23/379
D807,487 S *	1/2018	Delerue .....	D23/382
D818,103 S *	5/2018	Hoss .....	D23/370
D825,048 S *	8/2018	Breit .....	D23/382
2012/0163973 A1 *	6/2012	Yu .....	F04D 25/0633
			415/227
2015/0056088 A1 *	2/2015	Hung .....	F04D 25/0606
			417/423.7

\* cited by examiner

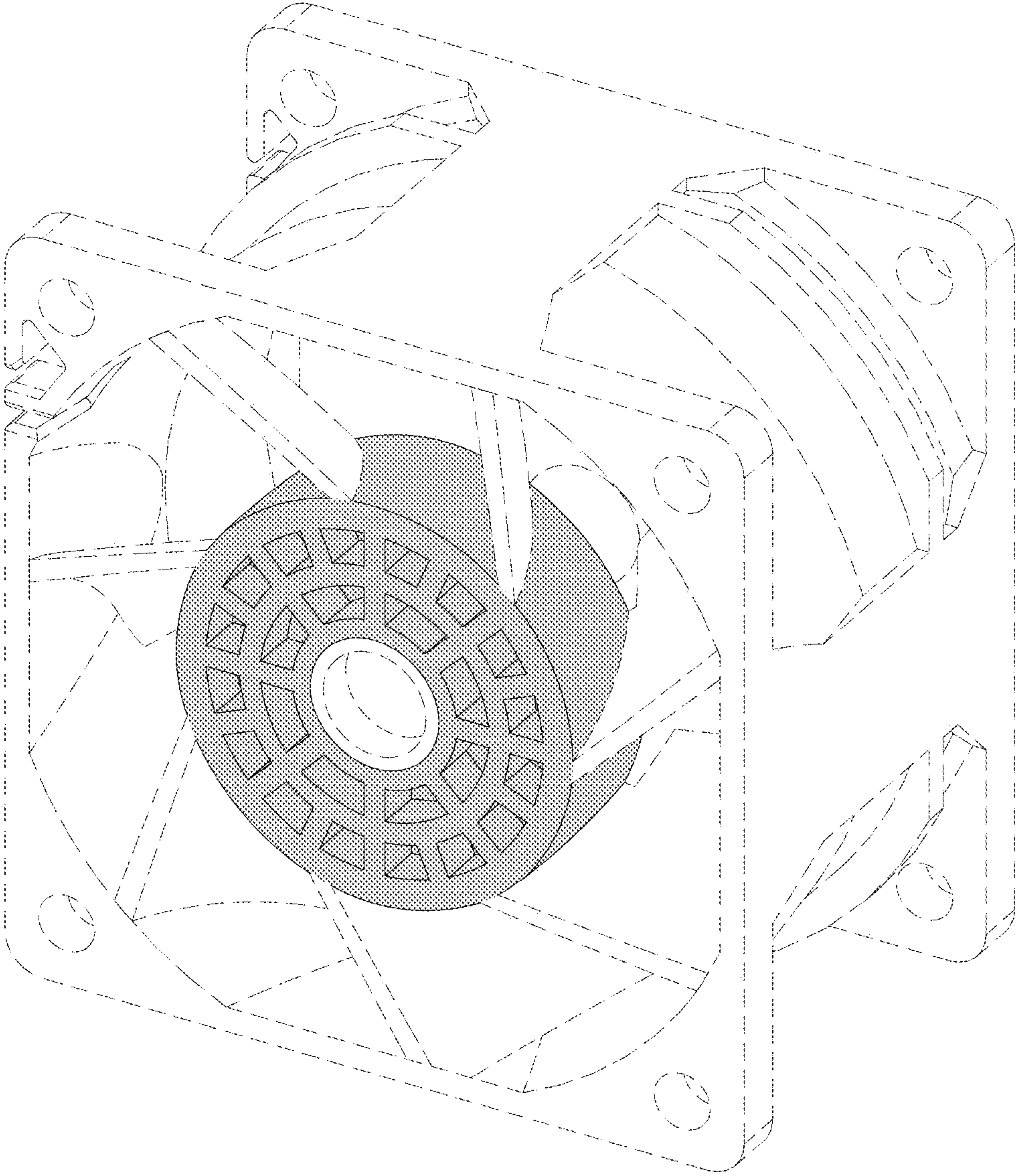


FIG. 1



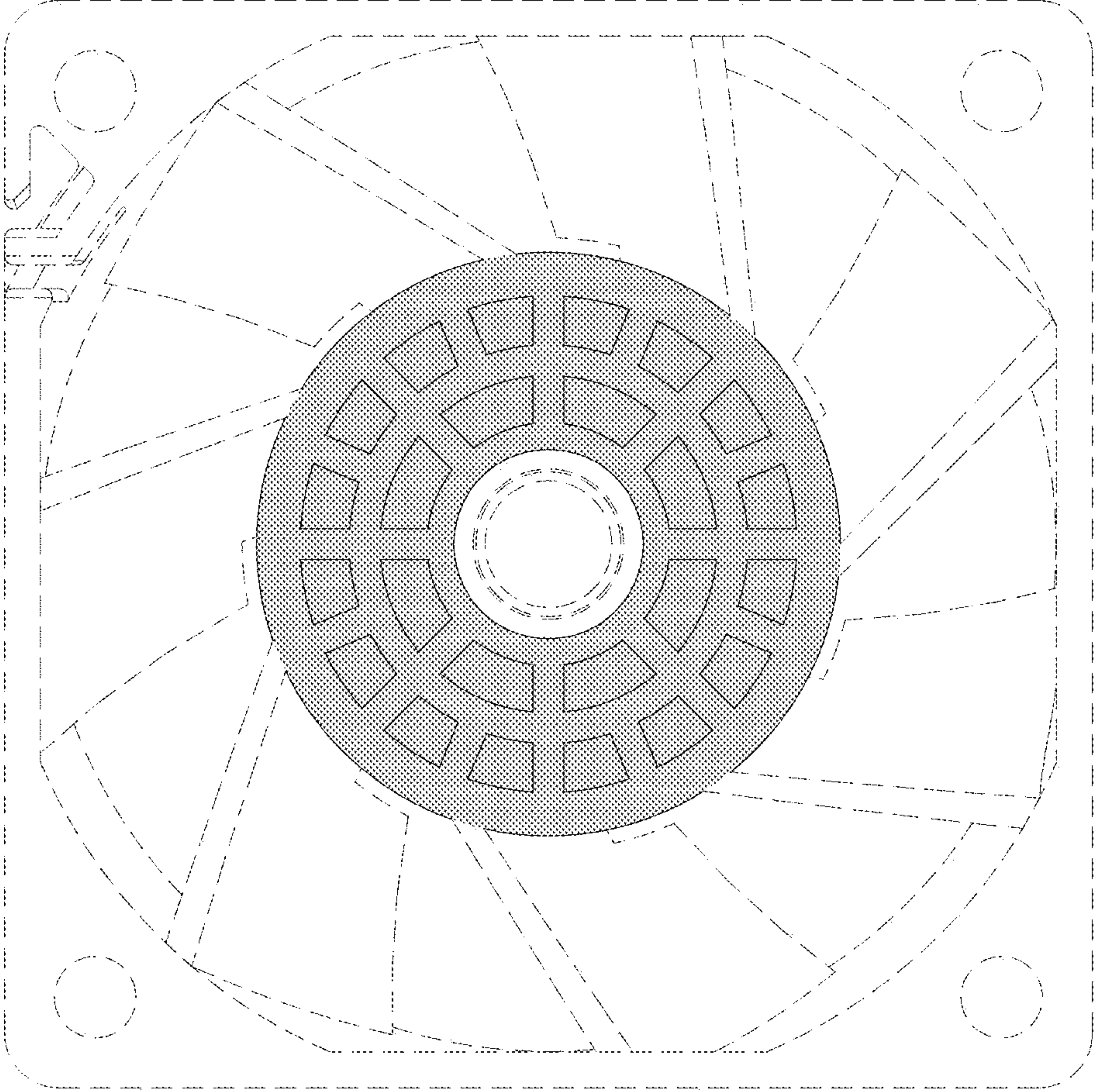


FIG. 2

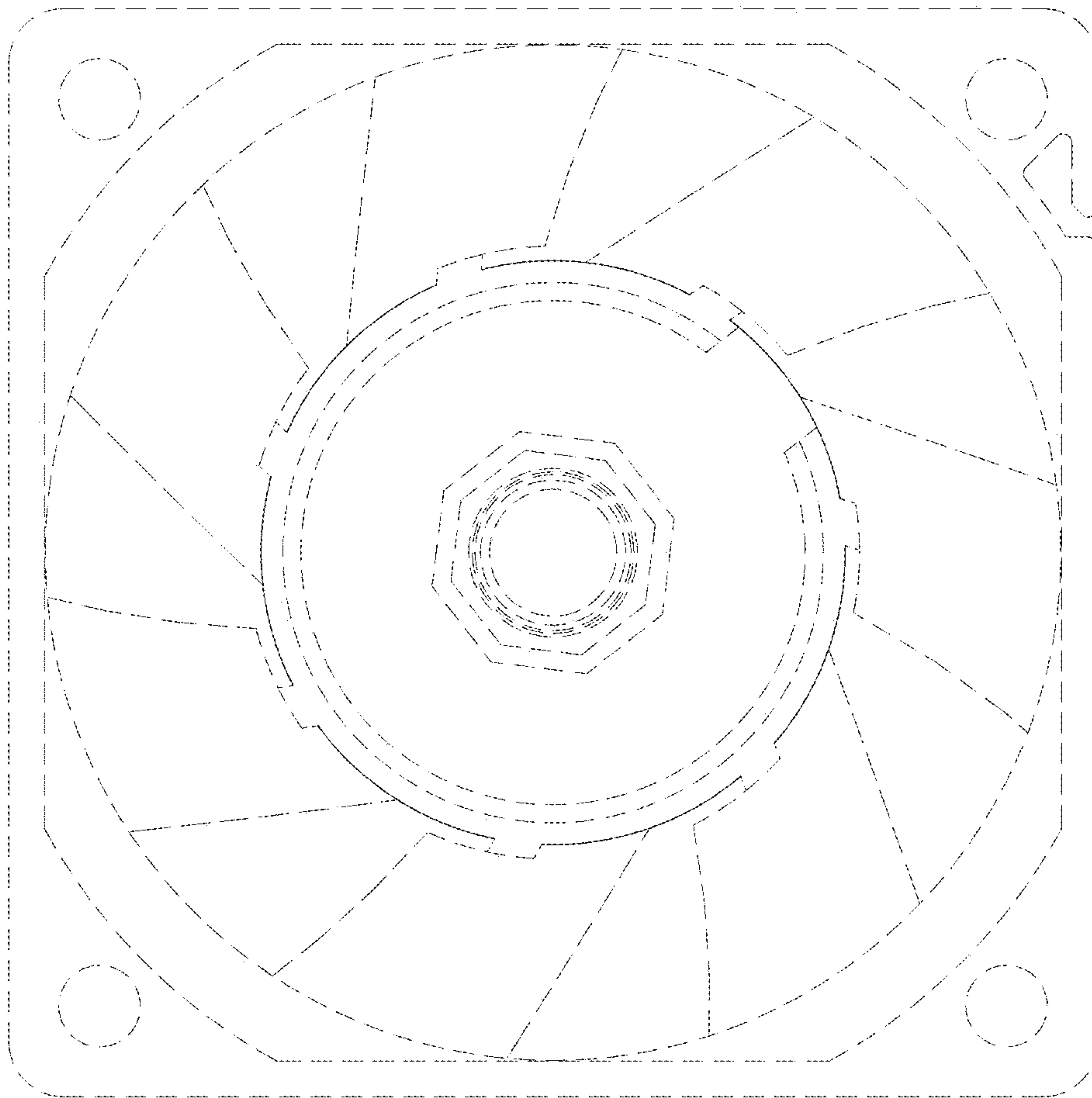


FIG. 3

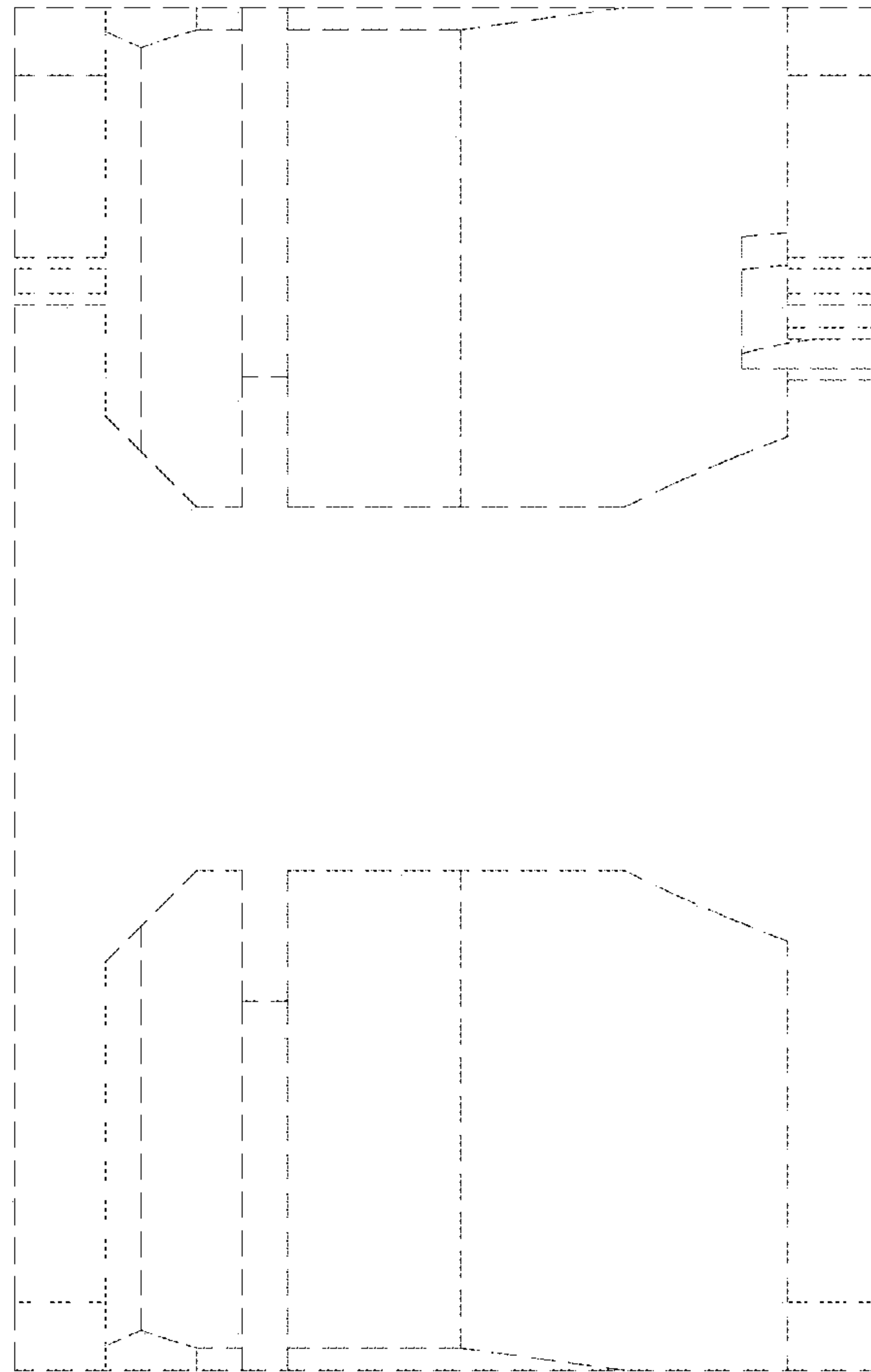


FIG. 4

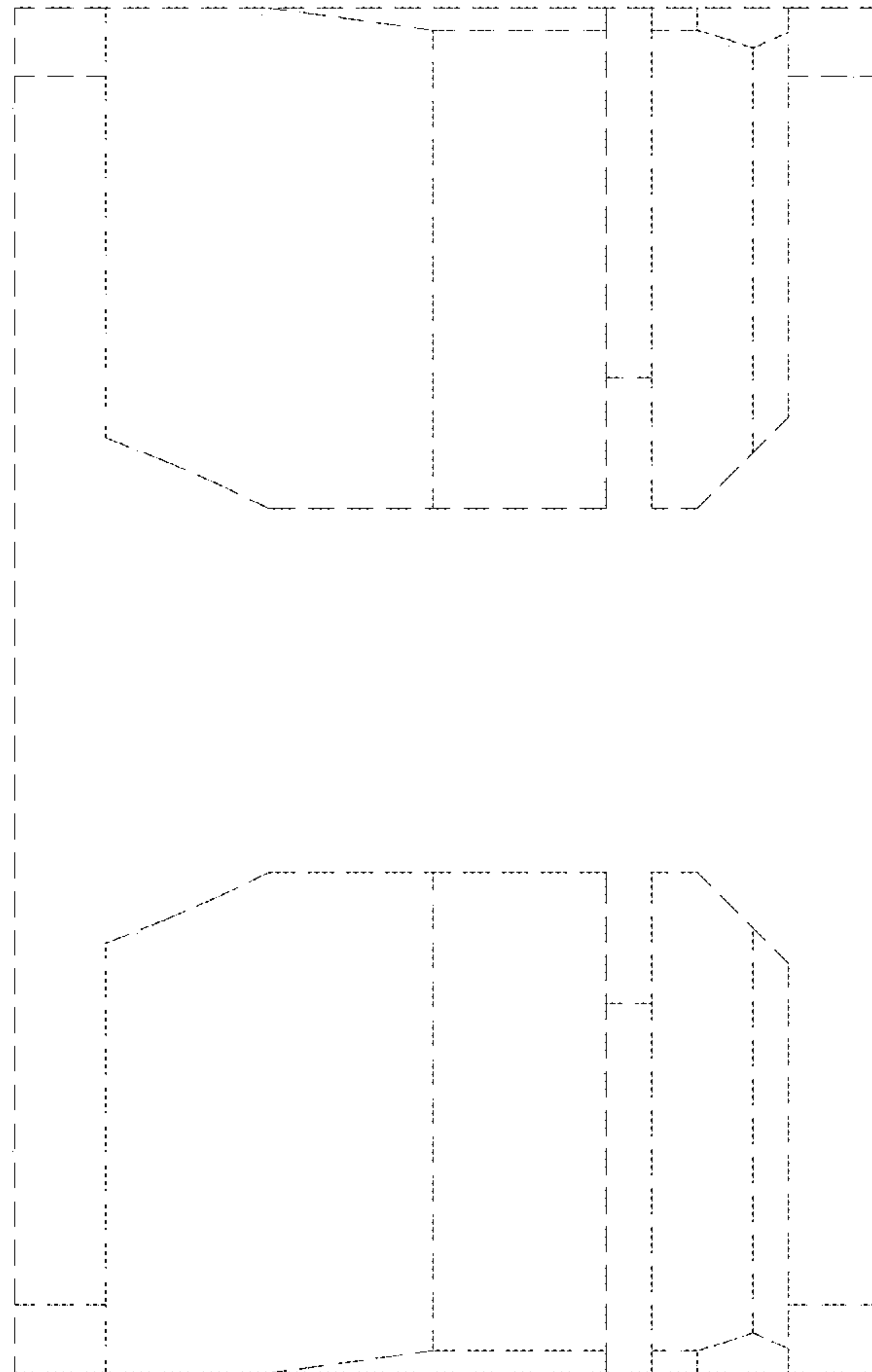


FIG. 5

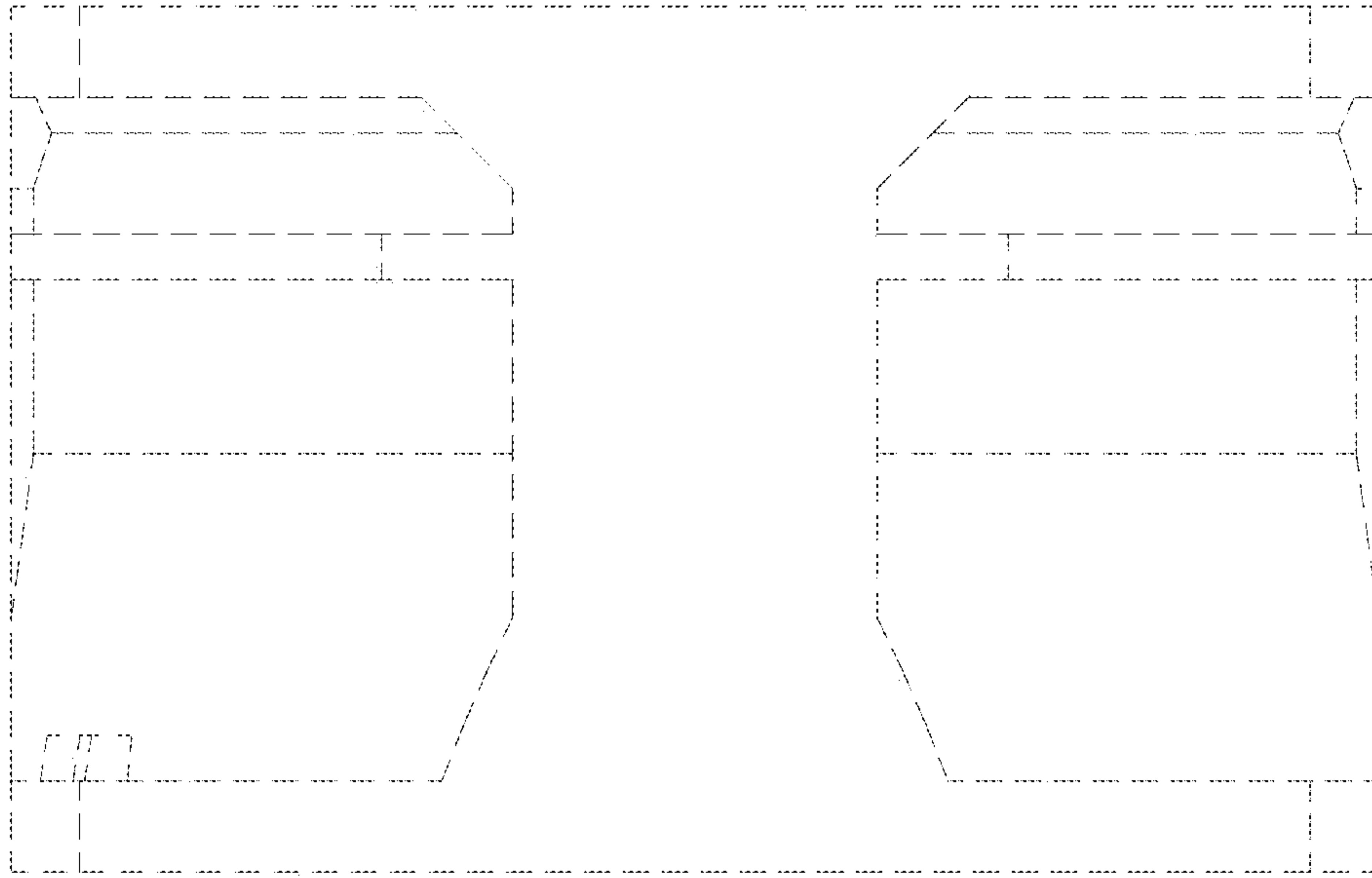


FIG. 6



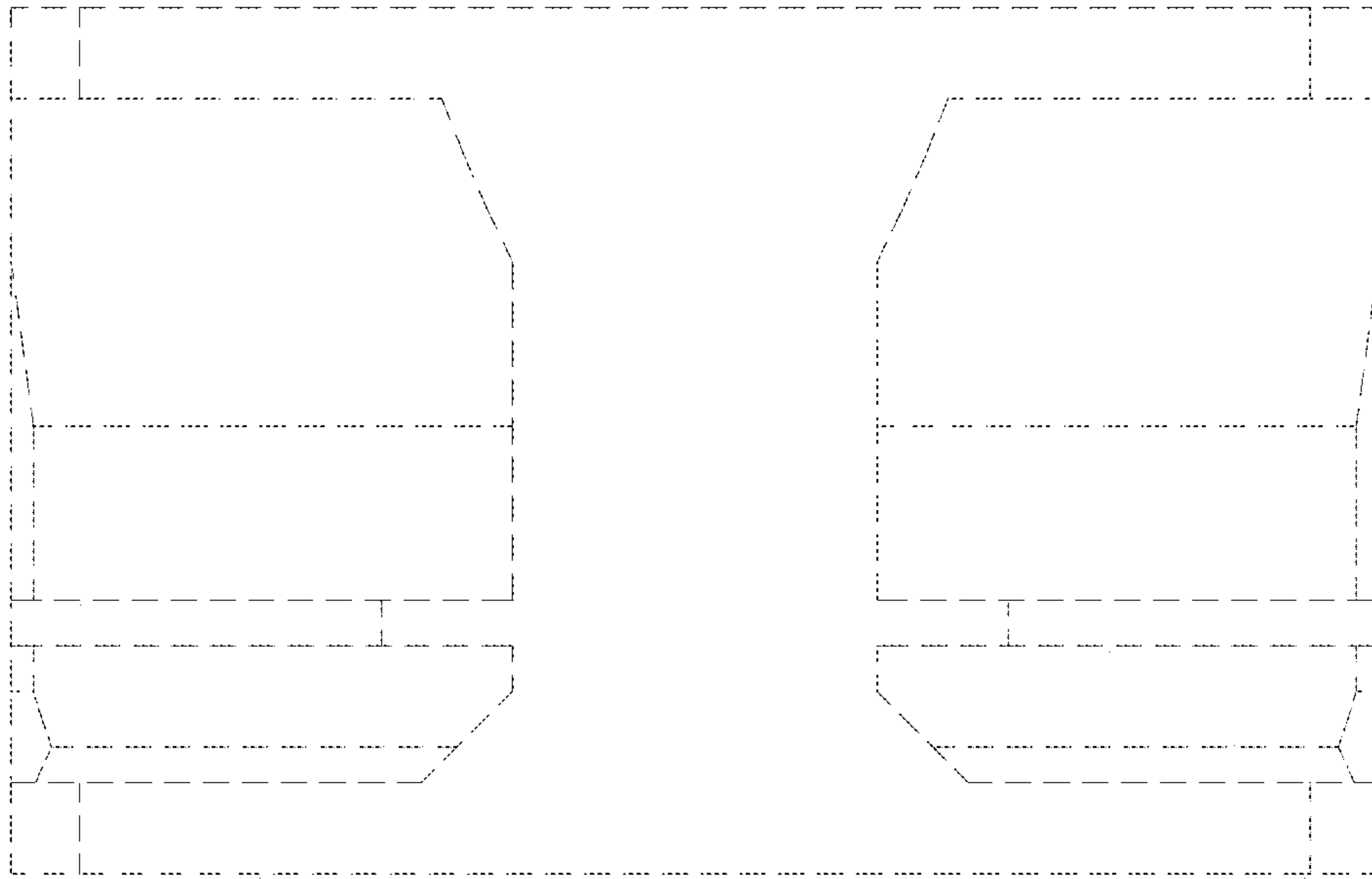


FIG. 7

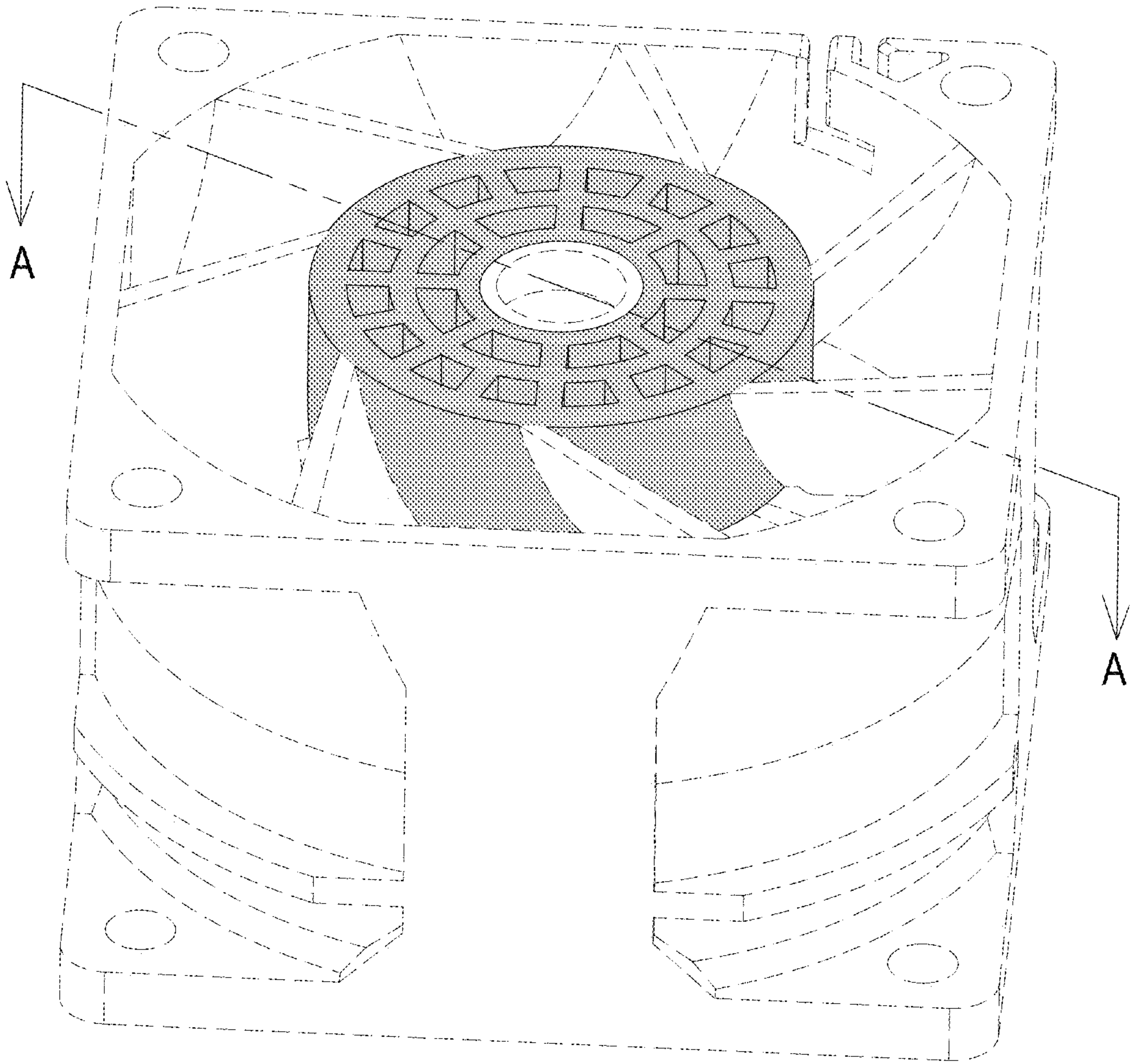


FIG. 8

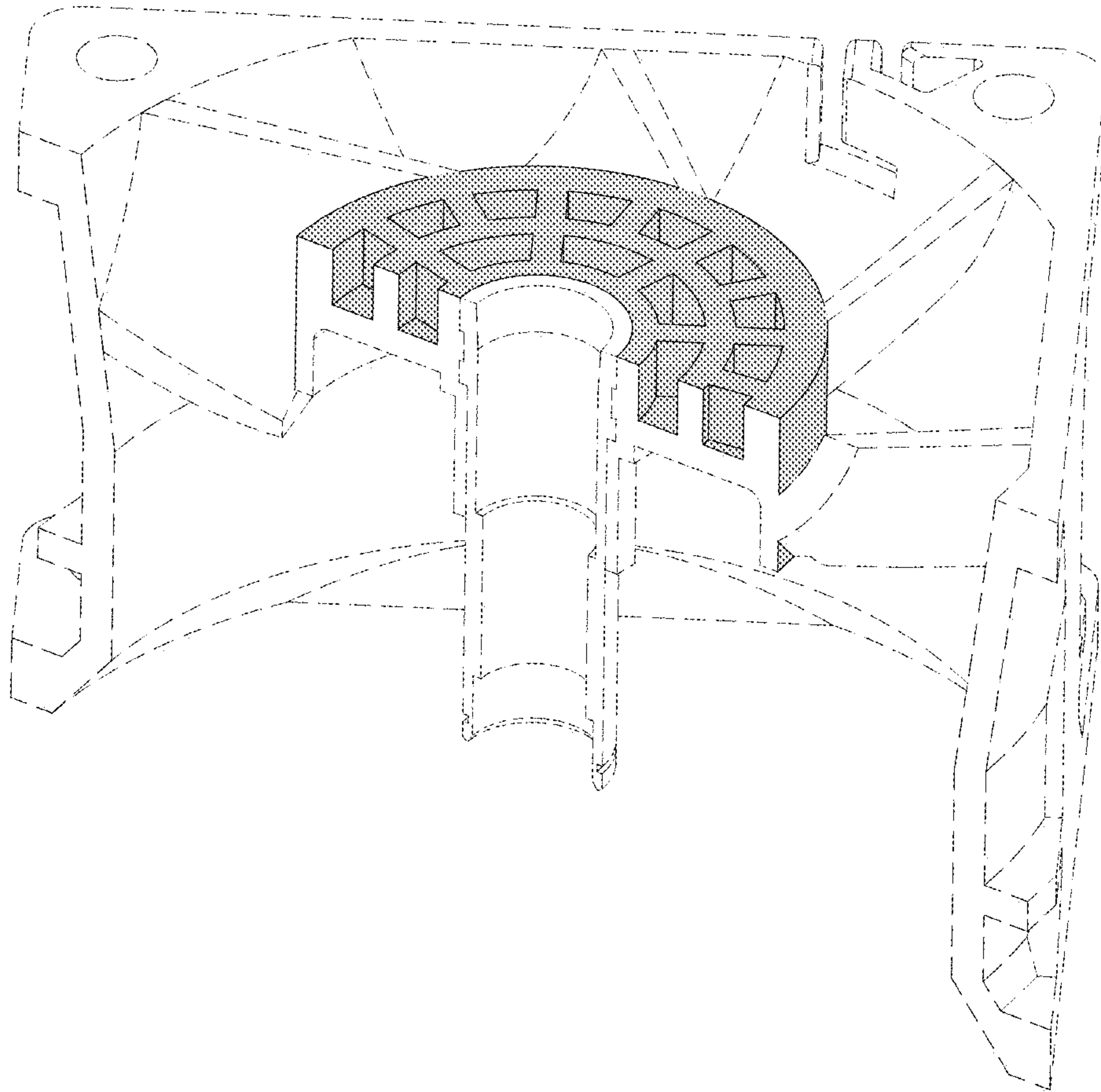


FIG. 9