



US00D872253S

(12) **United States Design Patent**
Sakamoto

(10) **Patent No.:** **US D872,253 S**
(45) **Date of Patent:** **** Jan. 7, 2020**

(54) **AIR CIRCULATOR**

(71) Applicant: **IRIS OHYAMA INC.**, Sendai-shi,
Miyagi (JP)

(72) Inventor: **Masaharu Sakamoto**, Kakuda (JP)

(73) Assignee: **IRIS OHYAMA INC.**, Sendai-shi (JP)

(**) Term: **15 Years**

(21) Appl. No.: **29/641,891**

(22) Filed: **Mar. 26, 2018**

(30) **Foreign Application Priority Data**

Sep. 28, 2017 (JP) 2017-021229

(51) **LOC (12) Cl.** **23-04**

(52) **U.S. Cl.**
USPC **D23/382**

(58) **Field of Classification Search**
USPC D23/314, 317, 324, 328, 332-337, 342,
D23/351, 352, 355, 356, 359, 362, 364,
D23/370-376, 378, 379, 381-385,
D23/411-414

CPC F04D 25/0673; F04D 29/38; F04D 29/005;
F04D 29/601

See application file for complete search history.

(56) **References Cited**

U.S. PATENT DOCUMENTS

D70,930 S *	8/1926	Xippas	D23/377
D175,301 S *	8/1955	Fisher	D23/362
D218,429 S *	8/1970	Yotsukura	D23/382
D311,772 S *	10/1990	Yang	D23/378
D357,309 S *	4/1995	Norris	D23/351
D463,542 S *	9/2002	Marchiano	D23/328
D502,767 S *	3/2005	Blateri	D23/336
D504,941 S *	5/2005	Blateri	D23/335
D538,417 S *	3/2007	Blateri	D23/337
D541,397 S *	4/2007	Chien	D23/335

D545,953 S *	7/2007	Chien	D23/342
D553,719 S *	10/2007	Blateri	D23/337
D579,099 S *	10/2008	Brown	D23/382

(Continued)

FOREIGN PATENT DOCUMENTS

CN	304112653 S	4/2017
CN	304112654 S	4/2017

(Continued)

OTHER PUBLICATIONS

An Office Action; "Notice of Allowance", issued by the Japanese Patent Office on Nov. 28, 2017, which corresponds to Japanese Design Application No. 2017-021229; with English language Concise Explanation.

(Continued)

Primary Examiner — Cathron C Brooks

Assistant Examiner — Sharon S Oum

(74) *Attorney, Agent, or Firm* — Studebaker & Brackett PC

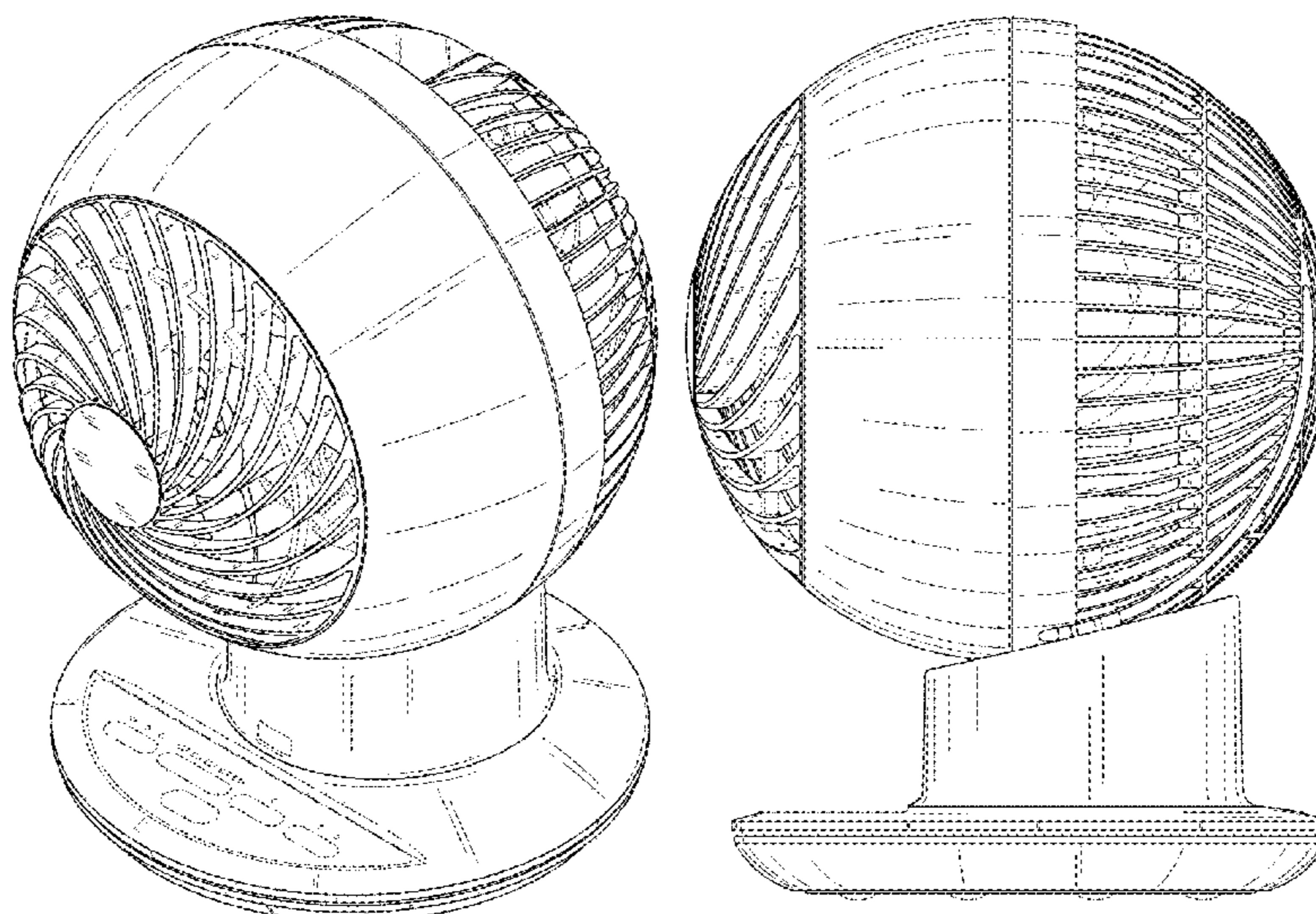
(57) **CLAIM**

The ornamental design for an air circulator, as shown and described.

DESCRIPTION

FIG. 1 is a front, top and right-side perspective view of an air circulator showing my new design; FIG. 2 is a front view thereof; FIG. 3 is a rear view thereof; FIG. 4 is a top view thereof; FIG. 5 is a bottom view thereof; FIG. 6 is a right-side view thereof; FIG. 7 is a left-side view thereof; and, FIG. 8 is a rear, top and left-side perspective view thereof. The broken lines illustrate portions of the air circulator and form no part of the claimed design.

1 Claim, 8 Drawing Sheets



(56)

References Cited

U.S. PATENT DOCUMENTS

D605,280	S	*	12/2009	Chen	D23/382
D656,595	S	*	3/2012	Yen	D23/332
D693,915	S	*	11/2013	Bisla	D23/370
D725,763	S	*	3/2015	Bisla	D23/370
D829,880	S	*	10/2018	Ediger	D23/382
2013/0309111	A1	*	11/2013	Mizuno	F04D 25/08 417/423.14

FOREIGN PATENT DOCUMENTS

JP	1504027	S	8/2014
JP	1507296	S	9/2014
JP	1507416	S	9/2014

OTHER PUBLICATIONS

Iris Ohyama Inc.; Japan Patent Office Design Patent Department,
publicly known reference No. HJ26005822.

* cited by examiner

FIG. 1

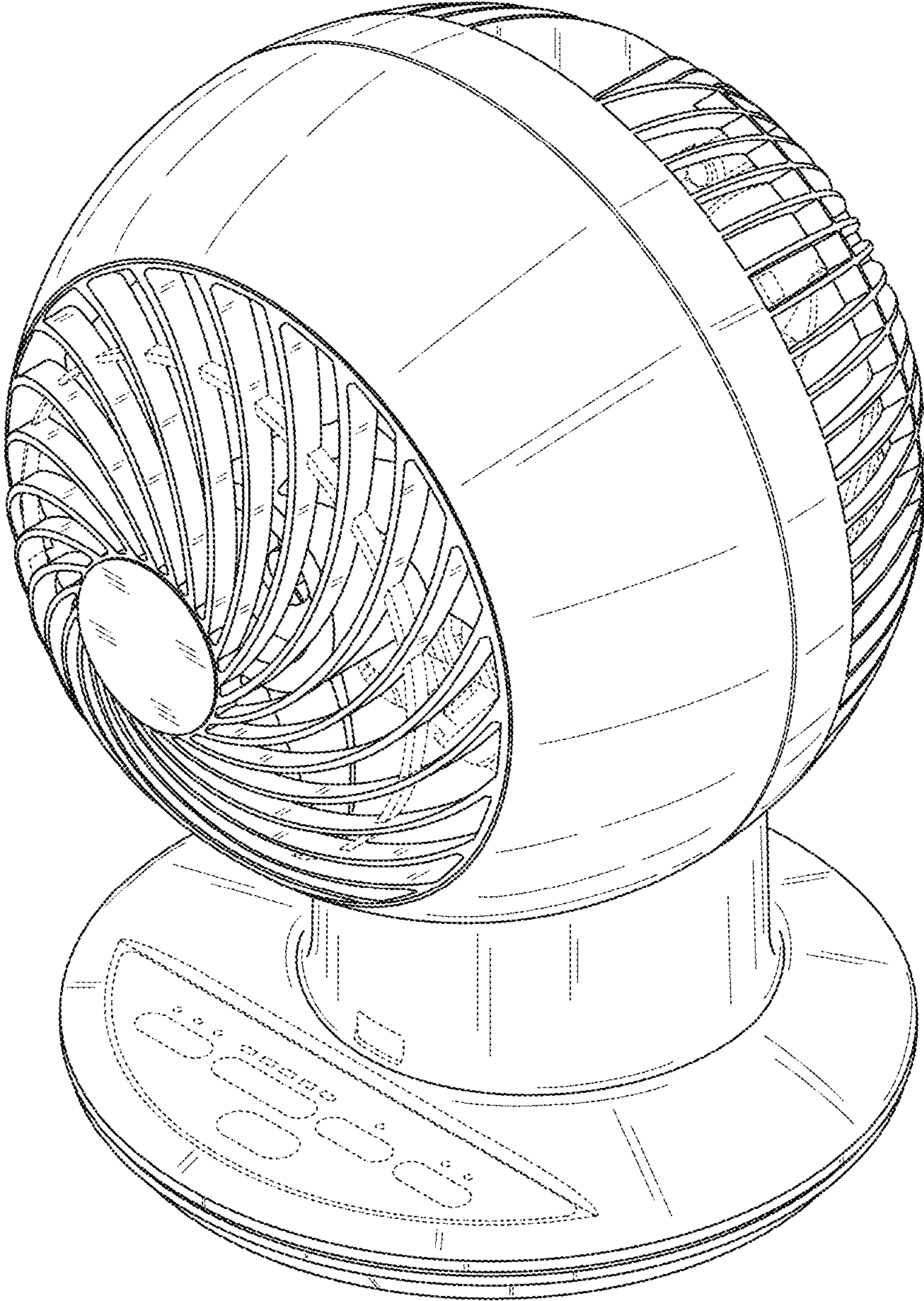


FIG. 2

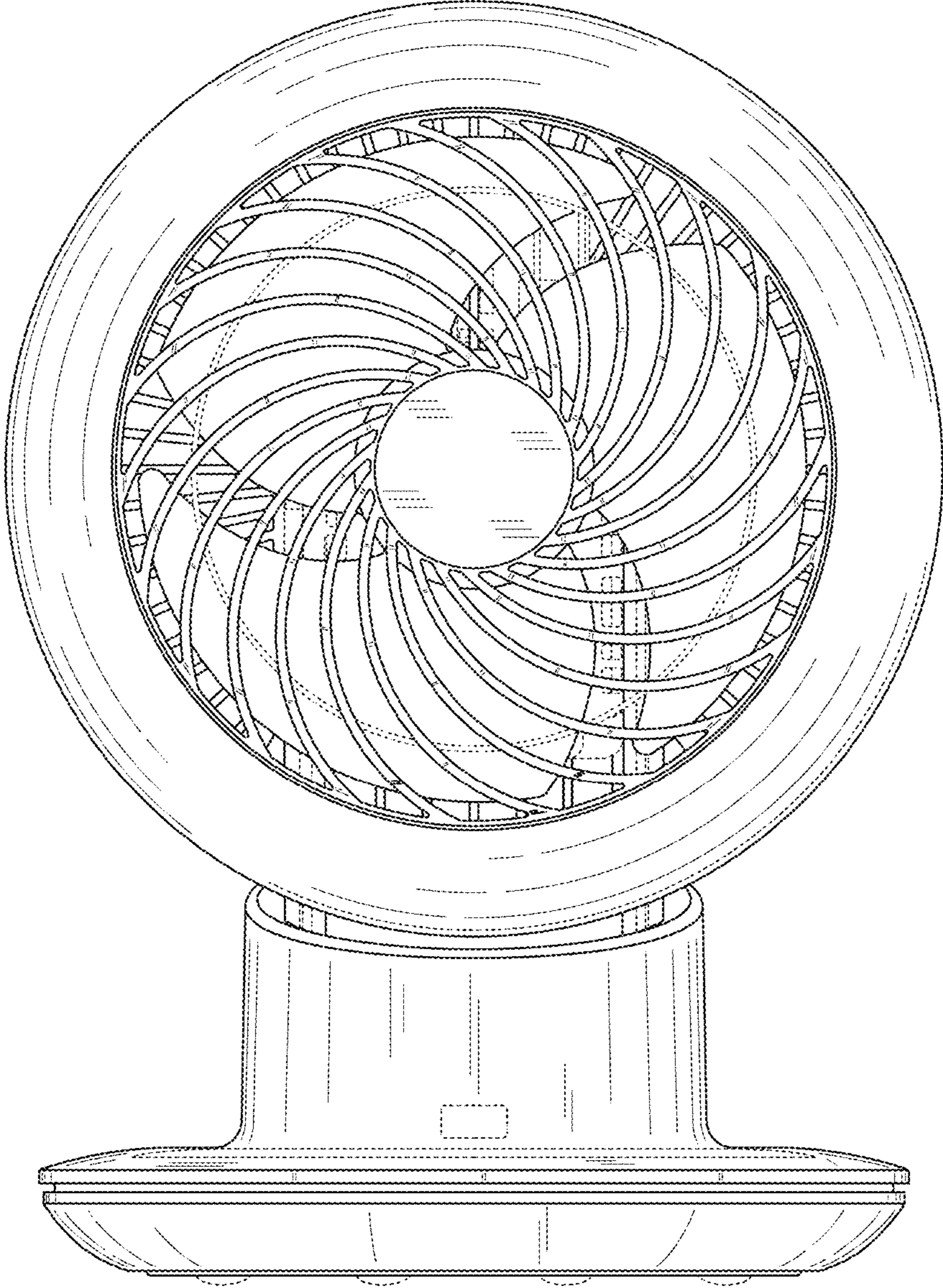


FIG. 3

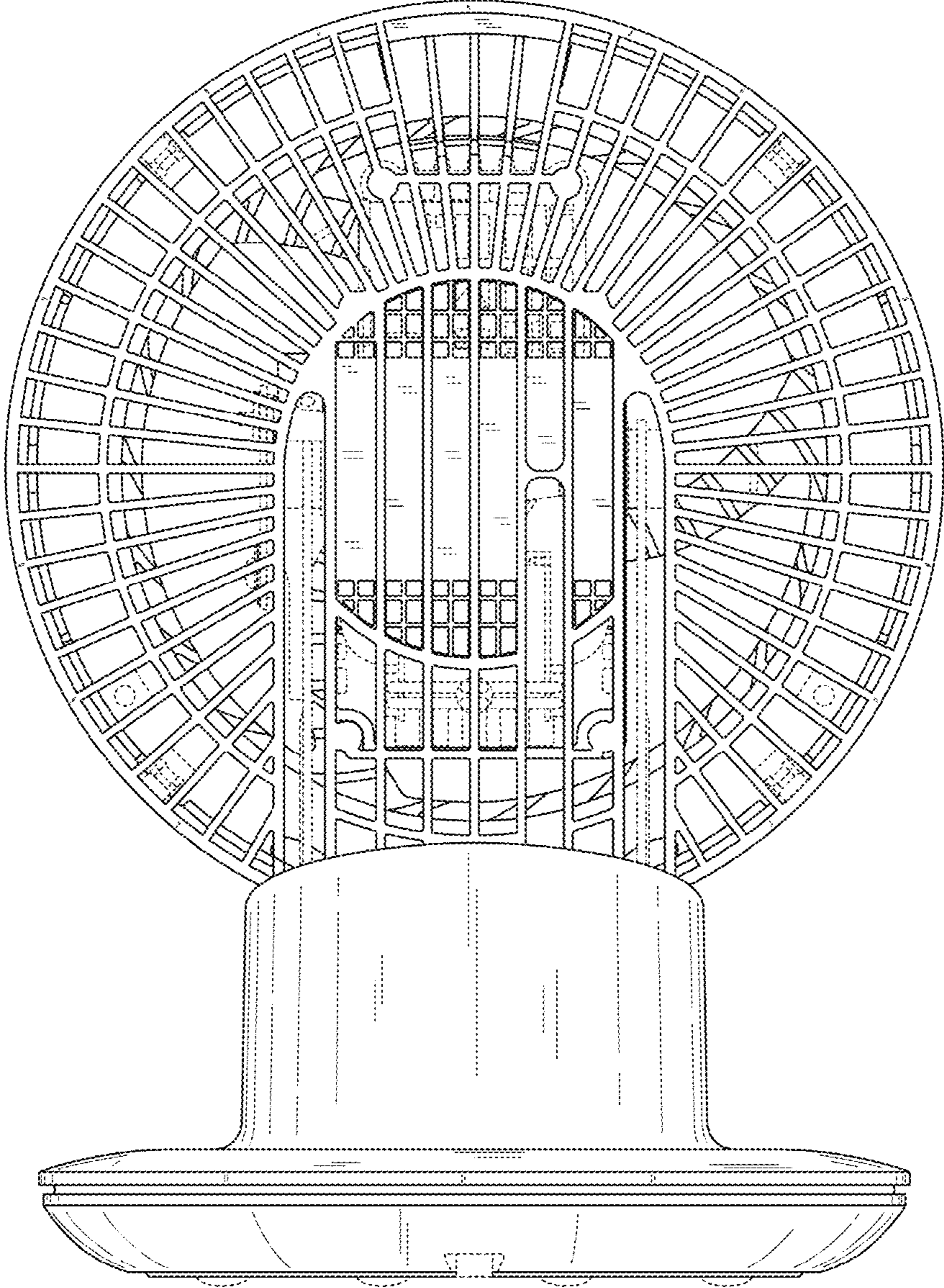


FIG. 4

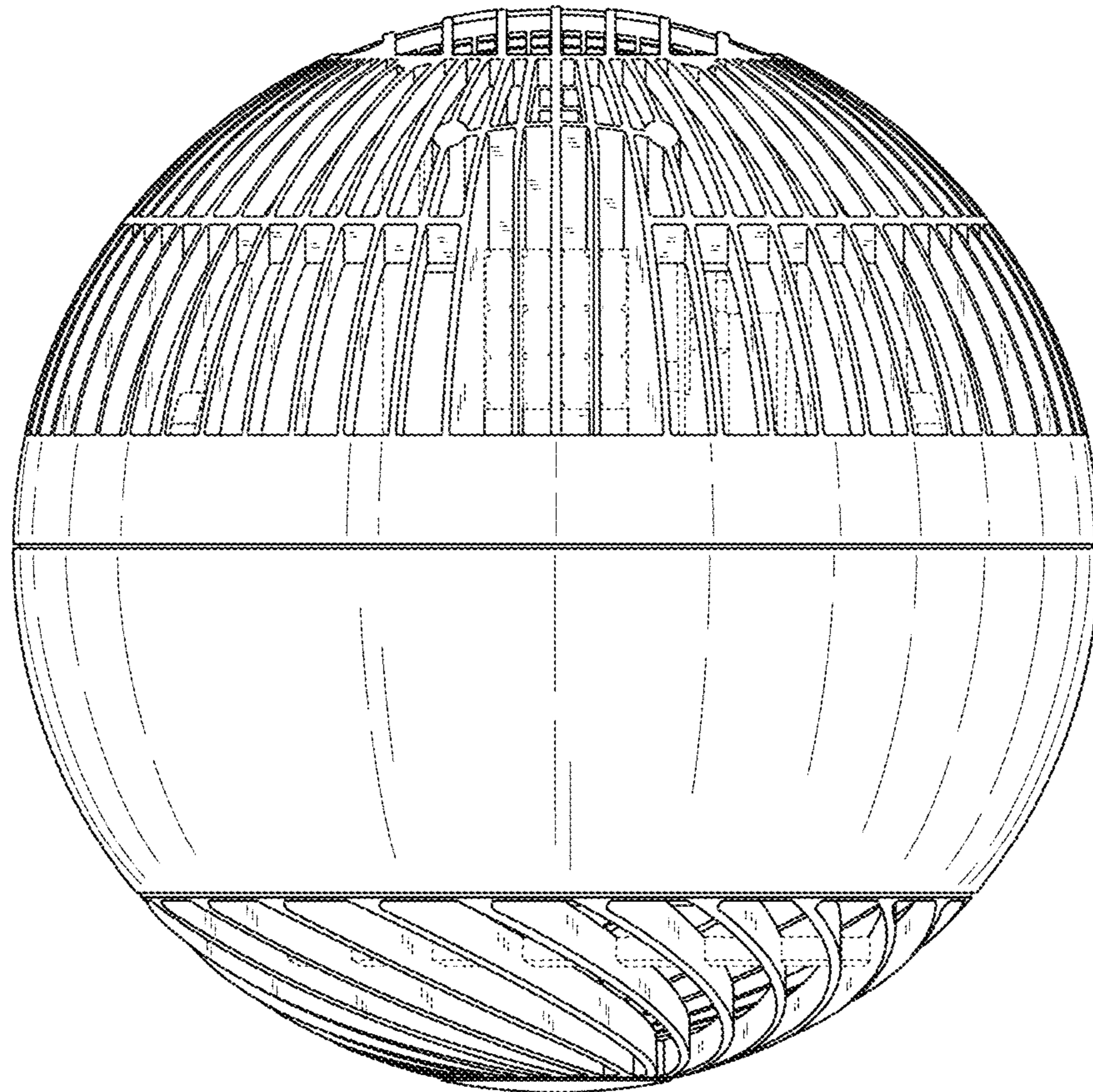


FIG. 5

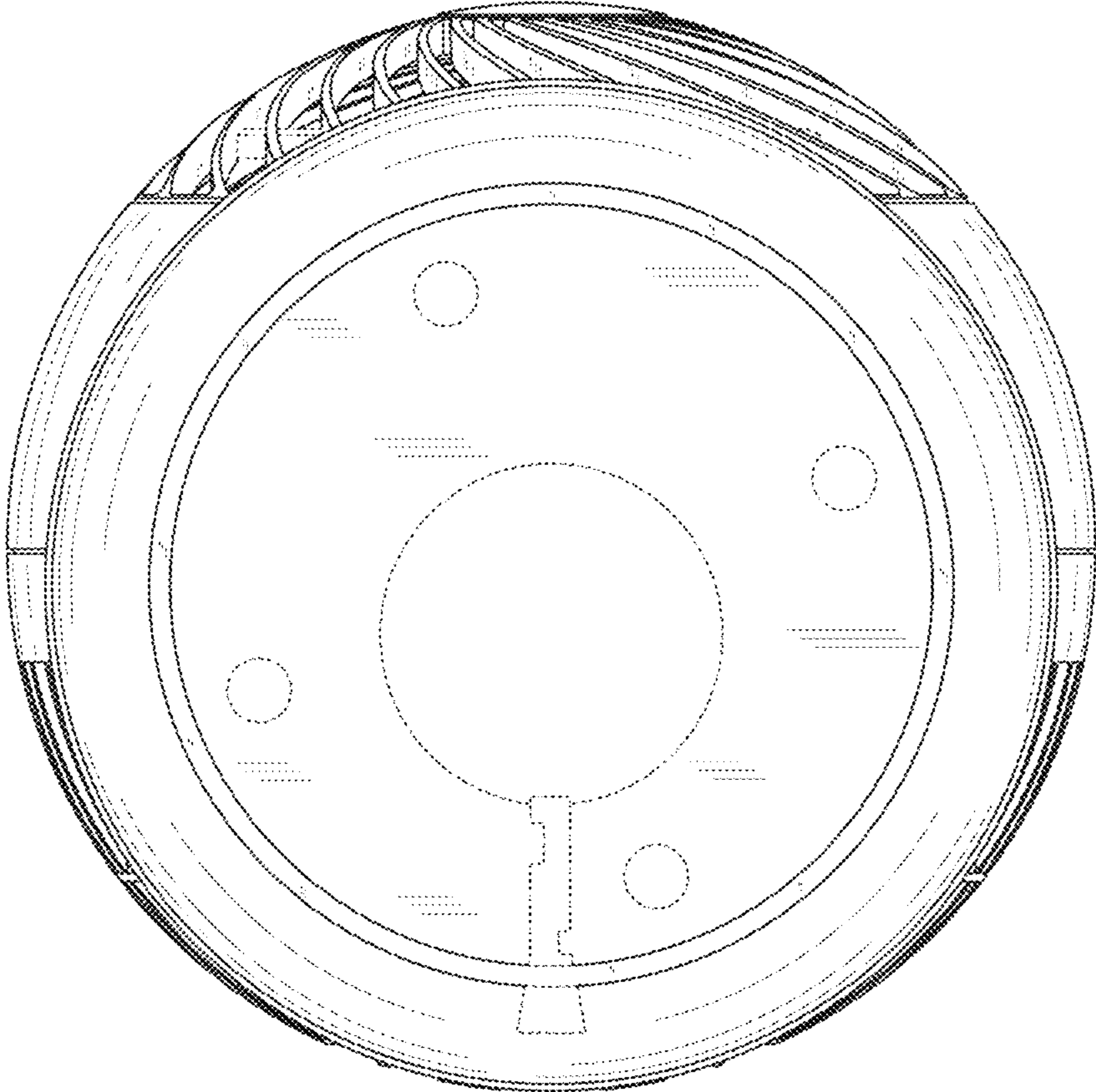


FIG. 6

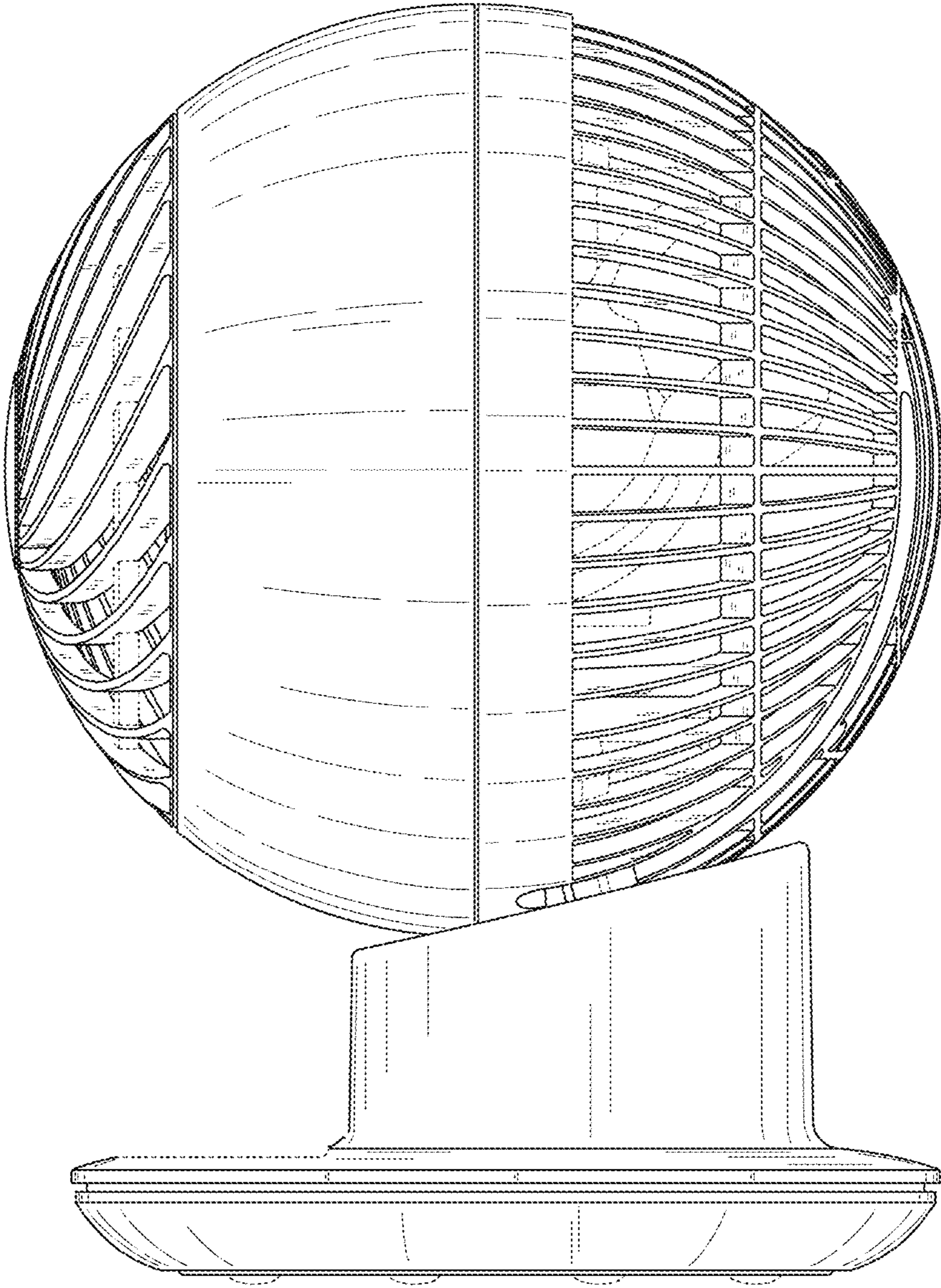


FIG. 7

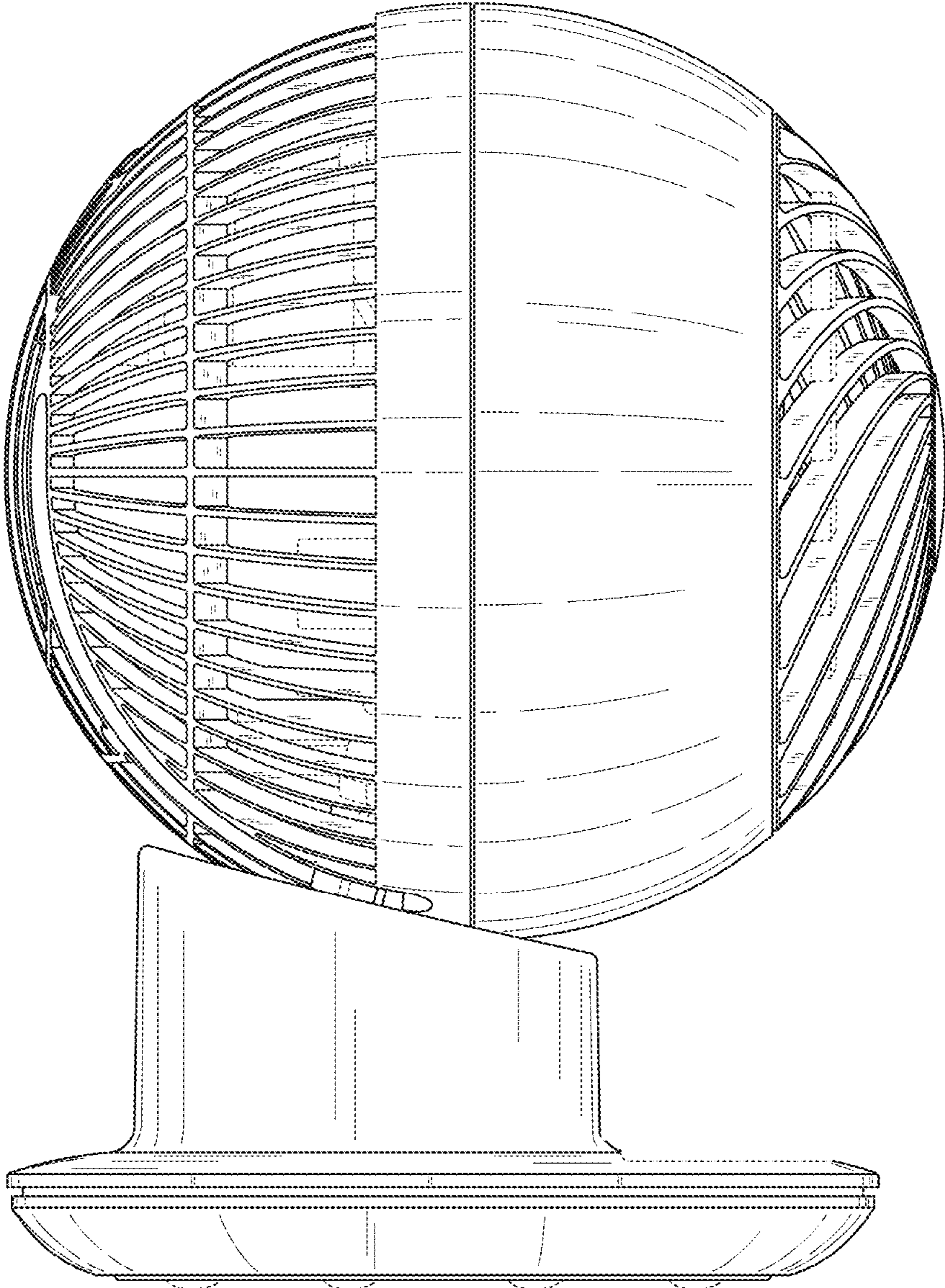


FIG. 8

