



US00D872252S

(12) **United States Design Patent** (10) **Patent No.:** **US D872,252 S**
McRoberts (45) **Date of Patent:** **** Jan. 7, 2020**

(54) **CEILING FAN**

Morgan 54 in. LED Indoor/Outdoor Bronze Ceiling Fan with SkyPlug Technology, Model No. 20680, accessed Sep. 14, 2017.

(71) Applicant: **HUNTER FAN COMPANY**,
Memphis, TN (US)

(Continued)

(72) Inventor: **Claire Bernice McRoberts**, Memphis,
TN (US)

Primary Examiner — Cathron C Brooks

Assistant Examiner — Sharon S Oum

(74) *Attorney, Agent, or Firm* — McGarry Bair PC

(73) Assignee: **Hunter Fan Company**, Memphis, TN
(US)

(**) Term: **15 Years**

(57) **CLAIM**

The ornamental design for a ceiling fan, as shown and described.

(21) Appl. No.: **29/656,393**

(22) Filed: **Jul. 12, 2018**

DESCRIPTION

(51) **LOC (12) Cl.** **23-04**

(52) **U.S. Cl.**
USPC **D23/377**

(58) **Field of Classification Search**
USPC D23/370–385, 411–414; D26/59, 85, 86,
D26/89, 90
CPC F04D 25/088; F04D 29/38; F04D 29/384;
F04D 29/386; F21V 33/0096
See application file for complete search history.

FIG. 1 is a top perspective view of a ceiling fan showing my new design;
FIG. 2 is a bottom perspective view thereof;
FIG. 3 is a top view thereof;
FIG. 4 is a bottom view thereof;
FIG. 5 is a right side view thereof;
FIG. 6 is a left side view thereof;
FIG. 7 is a rear view thereof;
FIG. 8 is a front view thereof;
FIG. 9 is a top perspective view of another ceiling fan, showing my new design according to a second embodiment;
FIG. 10 is a bottom perspective view of the ceiling fan of FIG. 9;
FIG. 11 is a top view of the ceiling fan of FIG. 9;
FIG. 12 is a bottom view of the ceiling fan of FIG. 9;
FIG. 13 is a right side view of the ceiling fan of FIG. 9;
FIG. 14 is a left side view of the ceiling fan of FIG. 9;
FIG. 15 is a rear view of the ceiling fan of FIG. 9; and,
FIG. 16 is a front view of the ceiling fan of FIG. 9.

(56) **References Cited**

U.S. PATENT DOCUMENTS

D397,419 S *	8/1998	Tsuji	D23/385
D402,075 S *	12/1998	Hudak	D26/88
D414,857 S *	10/1999	Zuege	D23/377
D476,408 S *	6/2003	Hidalgo	D23/411
D477,397 S *	7/2003	Chen	D23/411
D478,974 S *	8/2003	Hidalgo	D23/377
D484,967 S *	1/2004	Huang	D23/411
D488,555 S *	4/2004	Huang	
D490,182 S *	5/2004	Benensohn	D26/79
D504,173 S *	4/2005	Cohen	

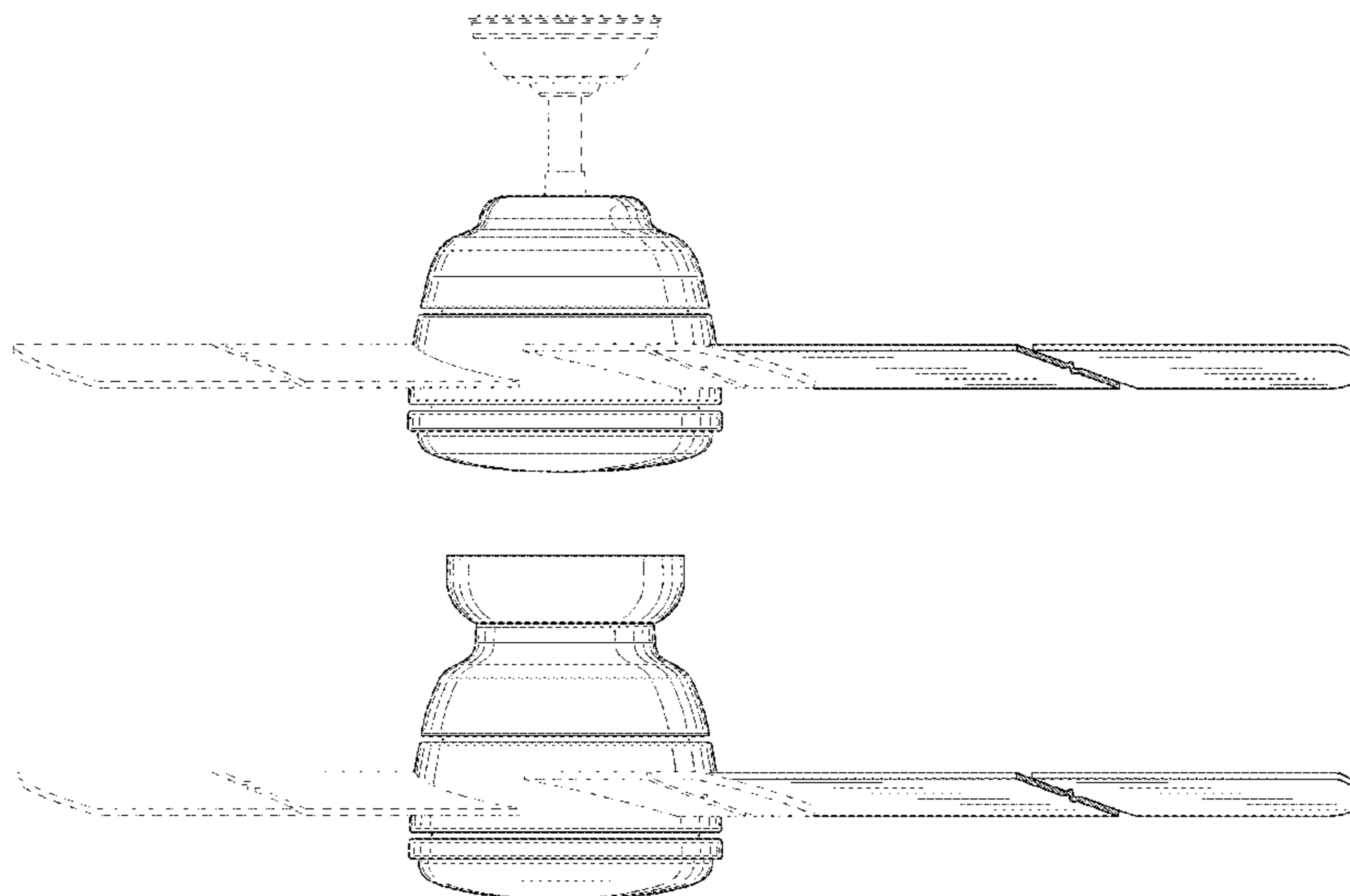
(Continued)

OTHER PUBLICATIONS

<http://www.homedepot.com/p/GE-Morgan-54-in-LED-Indoor-Outdoor-Bronze-Ceiling-Fan-with-SkyPlug-Technology-20680/207197394>, GE

Portions of the ceiling fan shown in broken lines form no part of the claimed design.
The ceiling fan blade is shown with a symbolic break in its length. The appearance of any portion of the ceiling fan blade between the break lines forms no part of the claimed design.

1 Claim, 16 Drawing Sheets



(56)

References Cited

U.S. PATENT DOCUMENTS

D536,438 S	2/2007	Curtin	
D570,532 S *	6/2008	Camarota	D26/120
D572,814 S *	7/2008	Bucher	D23/377
D599,003 S *	8/2009	Hidalgo	D23/411
D599,900 S *	9/2009	Chen	D23/377
D609,799 S *	2/2010	Lee	D23/377
D628,688 S *	12/2010	Pan	D23/377
D632,381 S *	2/2011	Davenport	D23/377
D707,336 S *	6/2014	Pan	D23/377
D719,252 S	12/2014	Allen et al.	
D739,001 S *	9/2015	Crisa'	D23/372
D743,528 S *	11/2015	Wang	D23/411
D756,503 S	5/2016	Wang	
D760,368 S *	6/2016	Chen	D23/377
D782,025 S	3/2017	Pickett	
D785,848 S *	5/2017	Couture	D26/89
D789,511 S	6/2017	Wang	
D795,411 S	8/2017	Wang	
D795,413 S	8/2017	Wang	
D796,024 S	8/2017	Holmes	
D800,891 S *	10/2017	McRoberts	D23/377
D803,380 S *	11/2017	Holmes	D23/377
D804,639 S *	12/2017	Guthrie	D23/377
D804,641 S *	12/2017	McRoberts	D23/377
D805,174 S *	12/2017	Guthrie	D23/377
D805,175 S *	12/2017	Hagggar	D23/377
D805,625 S *	12/2017	Hagggar	D23/377
D810,915 S *	2/2018	Guthrie	D23/377
D822,192 S *	7/2018	Hagggar	D23/411
D825,052 S *	8/2018	Guthrie	D23/411
D834,734 S *	11/2018	Guthrie	D26/59
D852,942 S *	7/2019	McRoberts	D23/411

OTHER PUBLICATIONS

<http://www.minkagroup.net/minka-aire/fans>, Minka Traditional Concept—LED Ceiling Fan, Model No. F594L-PW, accessed Sep. 14, 2017.

<https://www.lowes.com/pd/Harbor-Breeze-Sauble-Beach-44-in-Brushed-Nickel-Indoor-Downrod-Or-Close-Mount-ceiling-Fan-with-Light-Kit-and-Remote-3-Blade/1000124873>, Harbor Breeze Sauble Beach 44-in Brushed Nickel Indoor Downrod or Close Mount

Ceiling Fan with Light Kit and Remote (3-Blade), Model No. 40652, accessed Sep. 14, 2017.

<http://www.kichler.com/products/product/60-starkk-led-ceiling-fan-nbr-330180nbr.aspx>, Kichler Starkk Collection 60" Starkk LED Ceiling Fan NBR, Model No. 330180NBR (Natural Brass), accessed Sep. 14, 2017.

<http://www.minkagroup.net/minka-aire/fans>, Minka Spacesaver 26" Flush Mount Ceiling Fan, Model No. F510-BS, accessed Sep. 14, 2017.

<http://www.kichler.com/products/product/52-inch-vassar-led-fan-ni-330002ni.aspx>, Kichler Vassar Collection 52 Inch Vassar LED Fan NI, Model No. 330002NI (Brushed Nickel), accessed Sep. 14, 2017.

<http://www.homedepot.com/p/Hampton-Bay-Ponte-Vecchio-54-in-Natural-Iron-Ceiling-Fan-AC434-NI/206277953>, Hampton Bay Ponte Vecchio 54 in. Natural Iron Ceiling Fan, Model No. AC434-NI, accessed Sep. 14, 2017.

<https://www.craftmade.com/civic-unipack-ciu52>, Craftmade Civic Unipack 52" Ceiling Fan with Blades and Light, Model No. CIU52BN5, accessed Sep. 14, 2017.

<https://www.craftmade.com/trento-tnt58>, Craftmade Trento 58" Trento Ceiling Fan, Model No. TNT58OB3, accessed Sep. 14, 2017.

<http://www.homedepot.com/p/Hampton-Bay-Kemper-II-52-in-Liquid-Nickel-Ceiling-Fan-AL663A-LN/203245520>, Hampton Bay Kemper II 52 in. Liquid Nickel Ceiling Fan, Model No. AL663A-LN, accessed Sep. 14, 2017.

<https://www.menards.com/main/lighting-ceiling-fans/ceiling-fans/shop-all-ceiling-fans/turn-of-the-century-reg-strafford-44-copper-bronze-contemporary-ceiling-fan/p-1444438433461-c-7488.htm?tid=-4931736476268828200&ipos=41>, Turn of the Century® Stratford 44" Copper Bronze ceiling Fan, Model No. fn1303cb, accessed Sep. 14, 2017.

<http://ceilingfans.emerson.com/shop/en/fan/fans-s-emerson-fans/fans-s-contemporary/44-curve-sky-fan-p-cf144>, Emerson Curva Sky, Modern Flush Mount Ceiling Fan—Brushed Steel, Model No. cf144, accessed Sep. 14, 2017.

<http://www.fanimation.com/products/index.php/fans/duplex.html>, Fanimation Duplex Ceiling Fan, Model No. FPD6254, accessed Sep. 14, 2018.

<http://ceilingfans.emerson.com/shop/en/fan/emerson-fans-browser-a1/56-industrial-fan-p-hf956>, Emerson 56 Inch Brushed Steel Industrial Ceiling Fan, Model No. hf956, accessed Sep. 14, 2017.

* cited by examiner

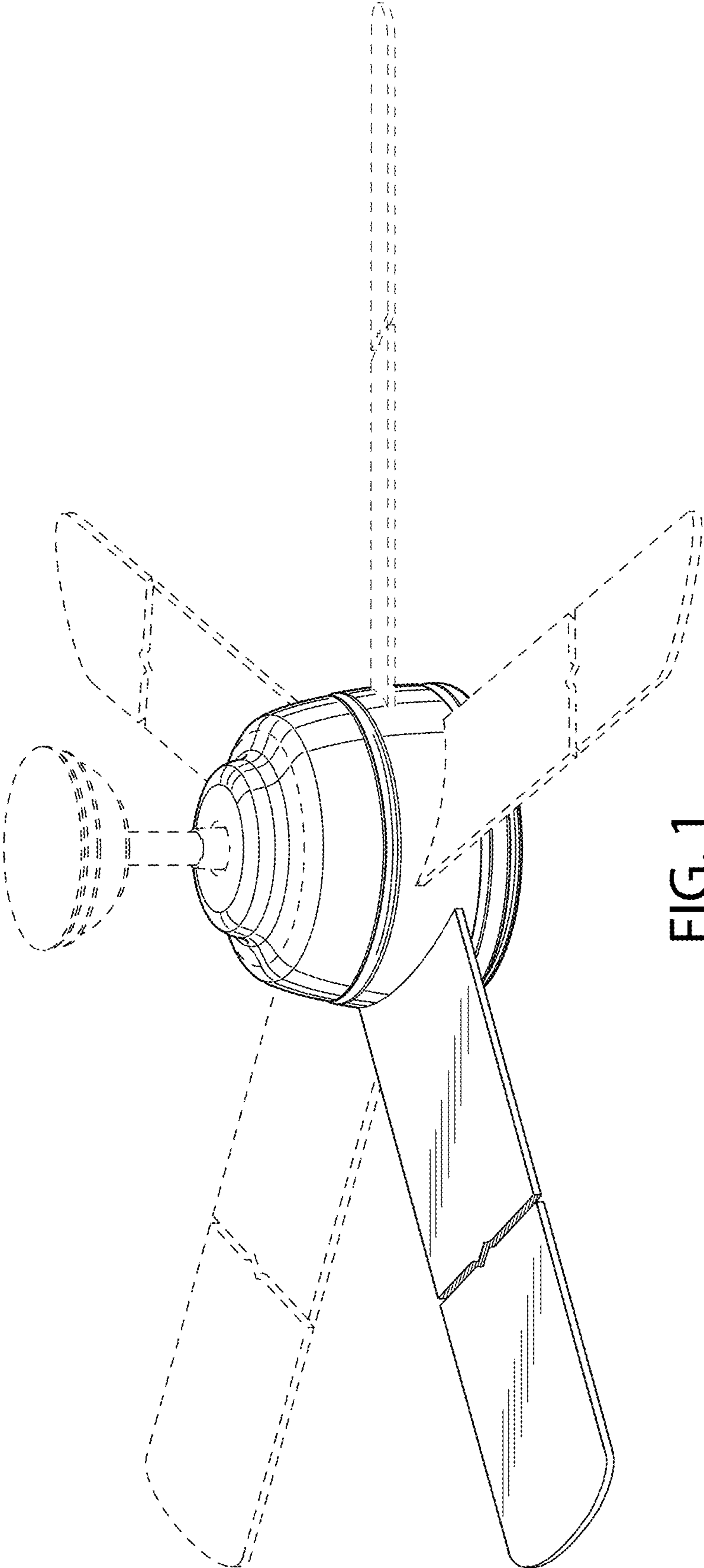


FIG. 1

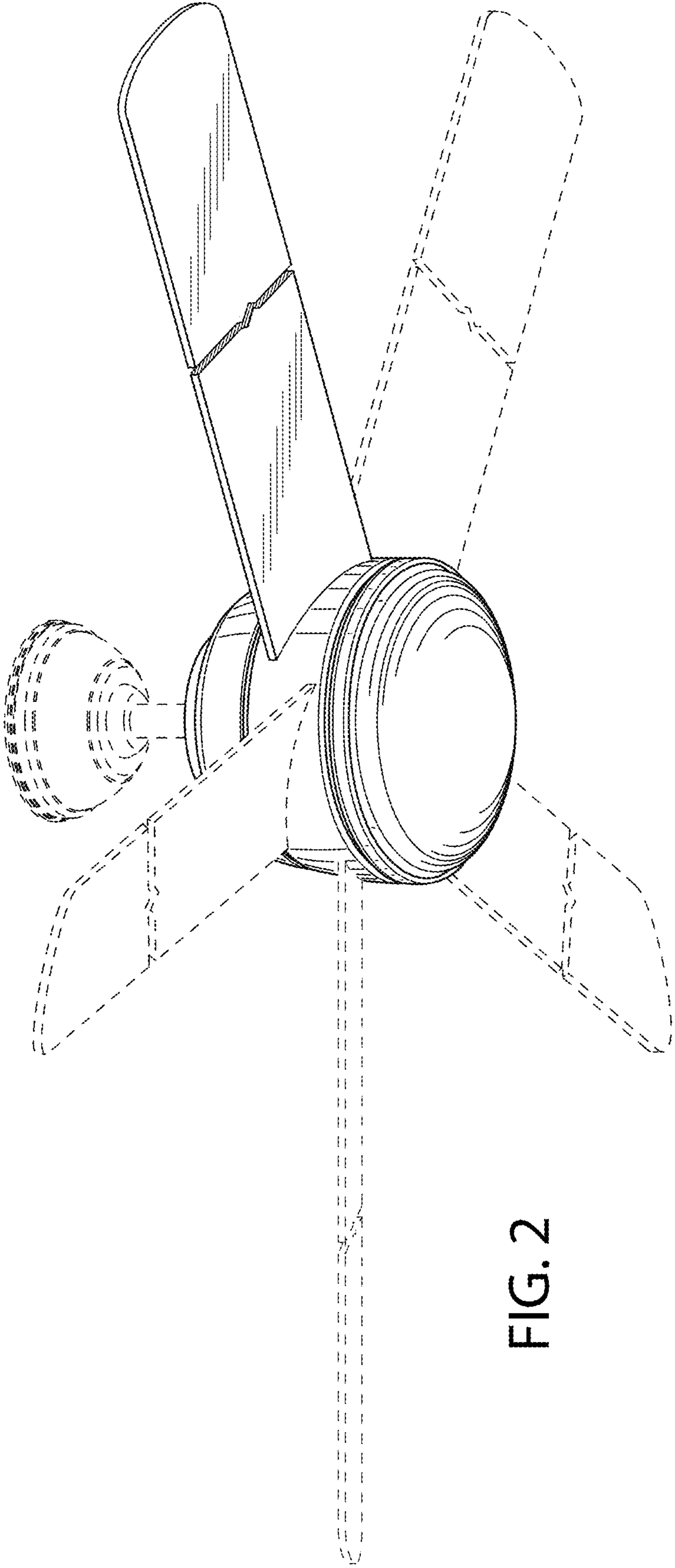


FIG. 2

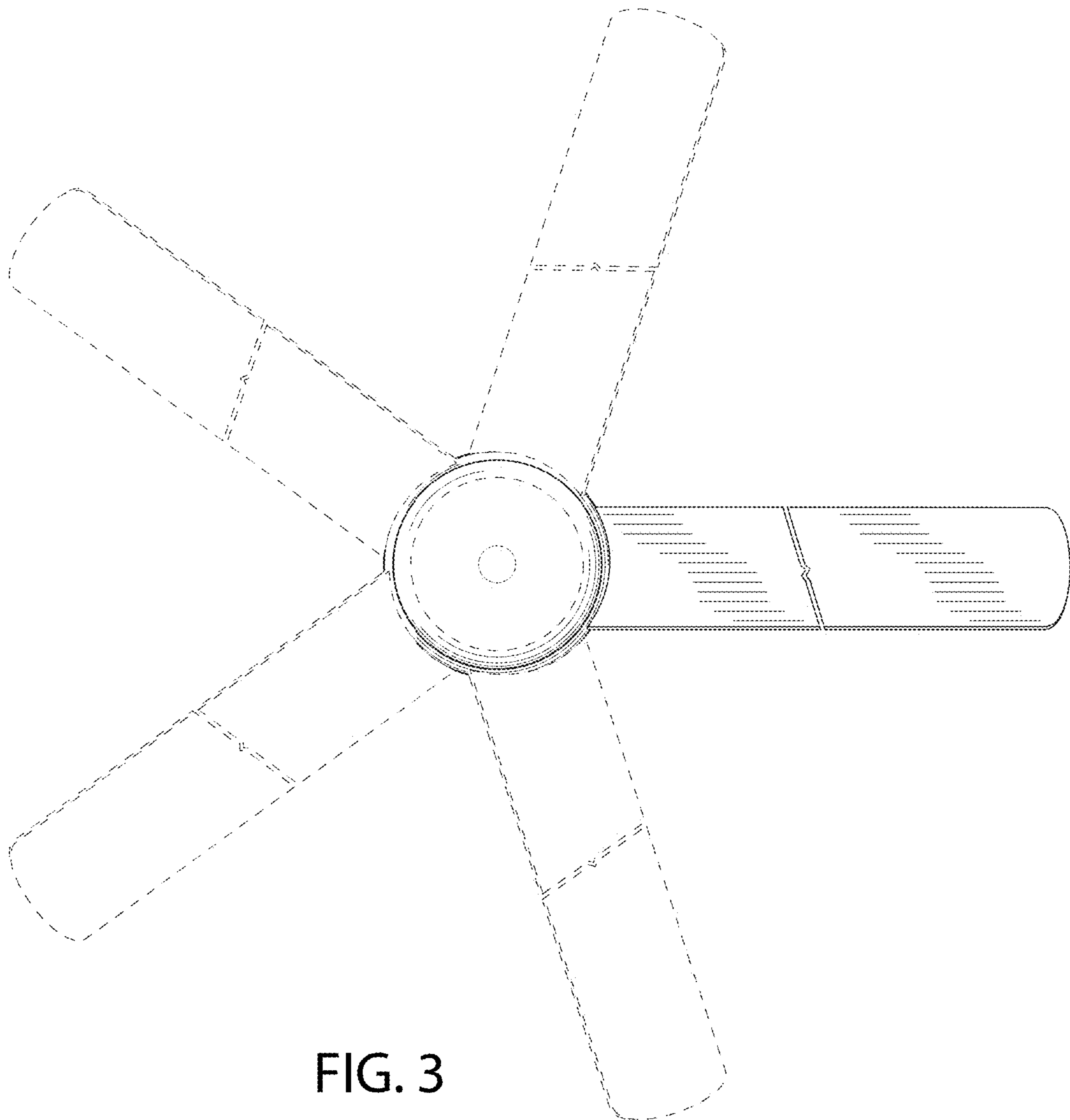


FIG. 3

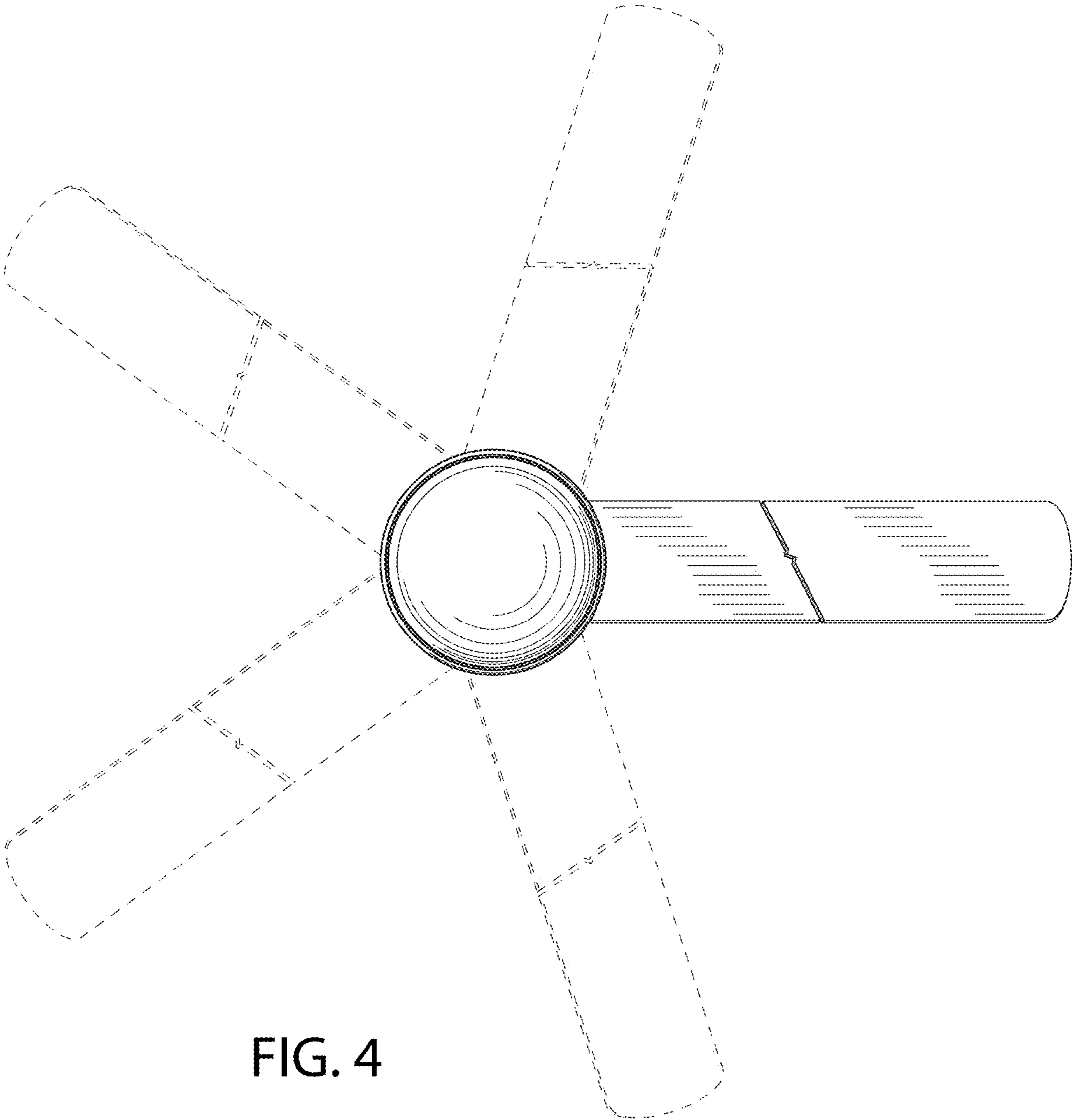


FIG. 4

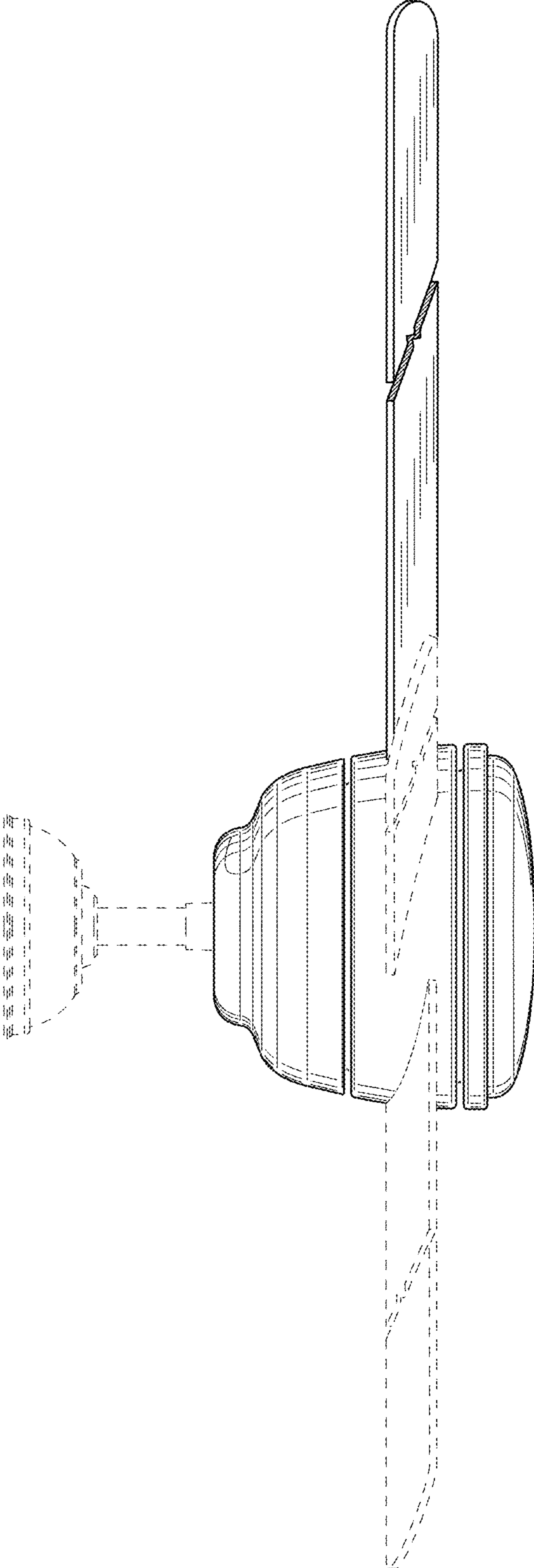


FIG. 5

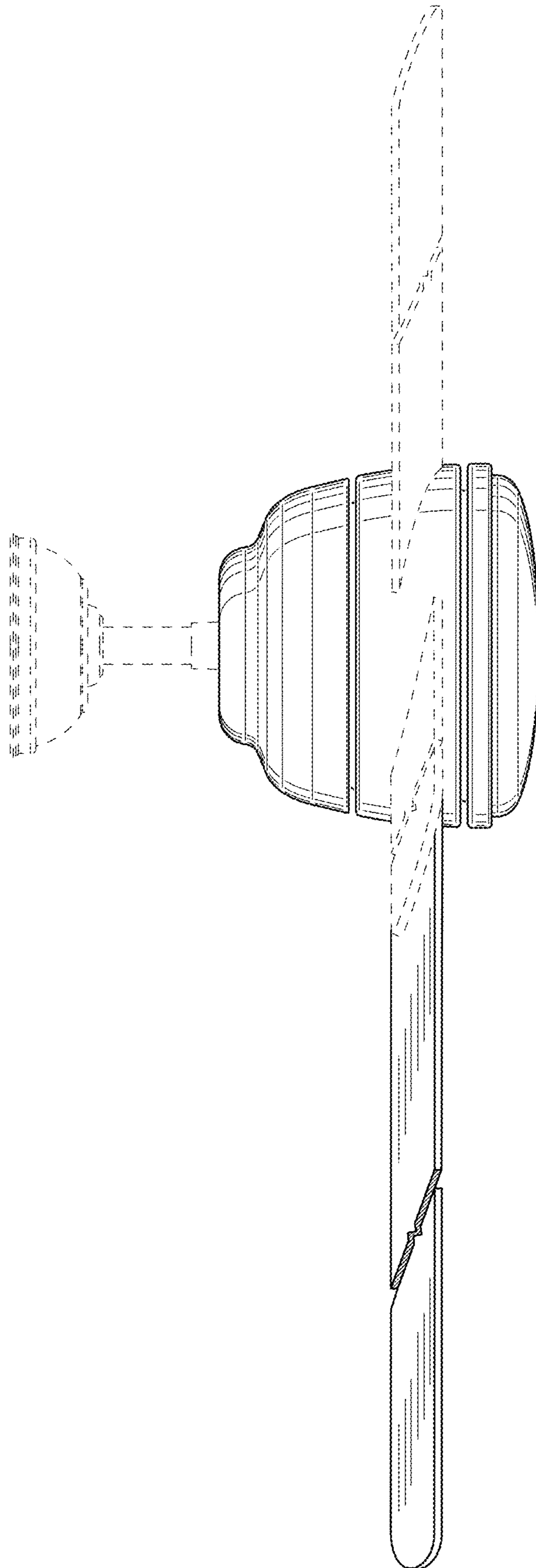


FIG. 6

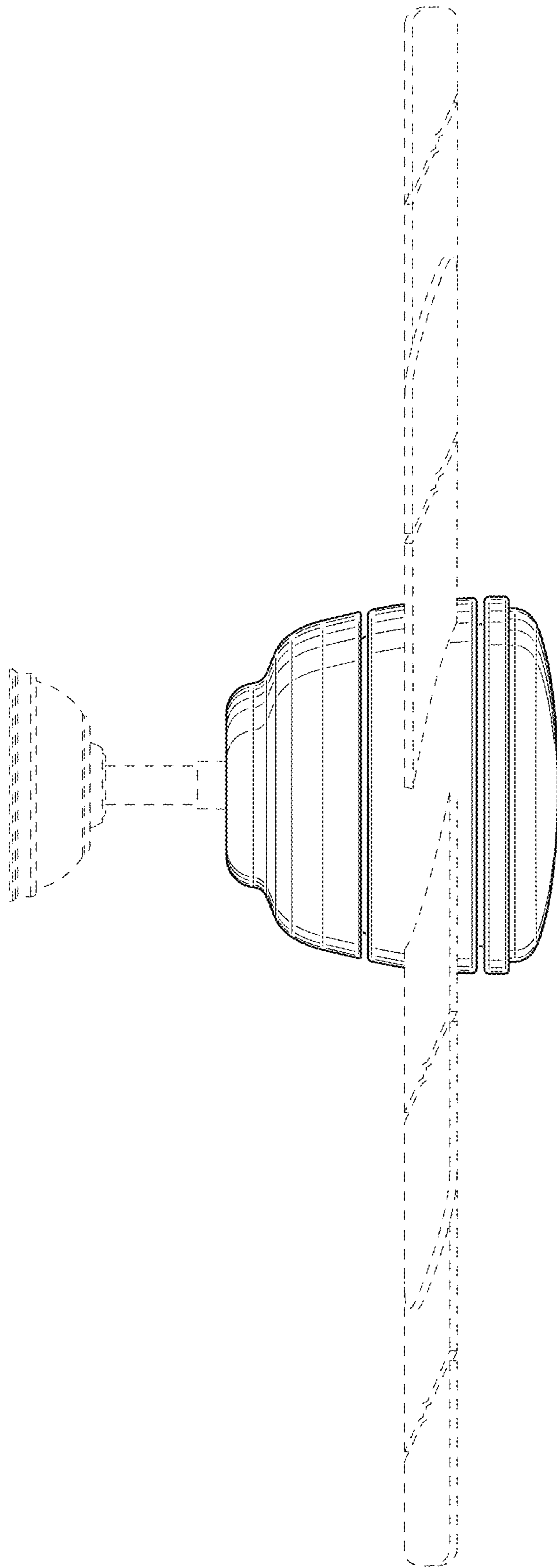


FIG. 7

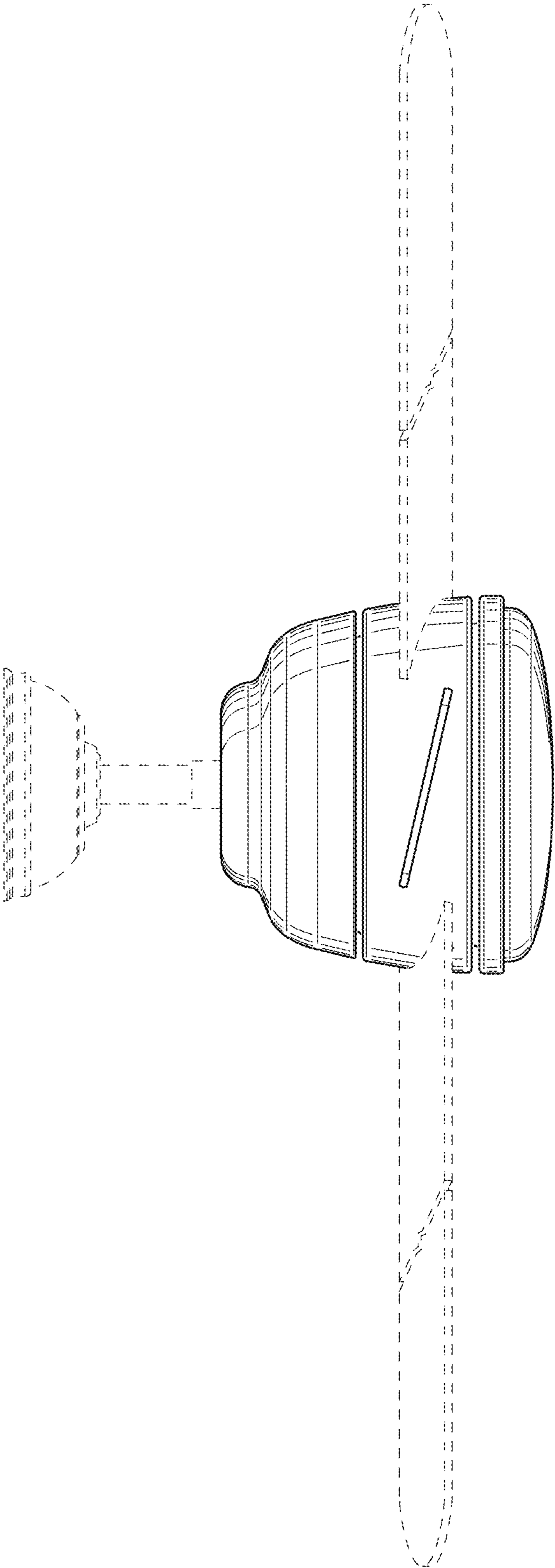


FIG. 8

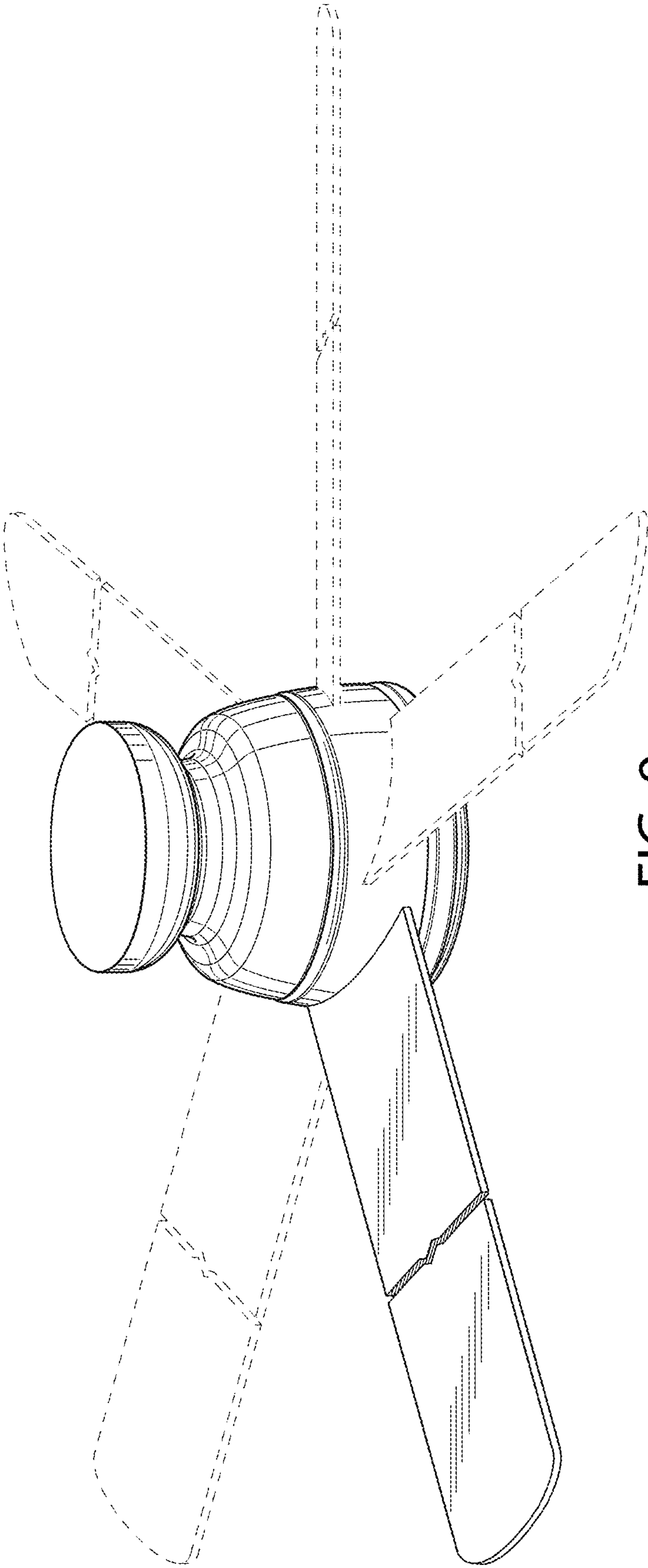


FIG. 9

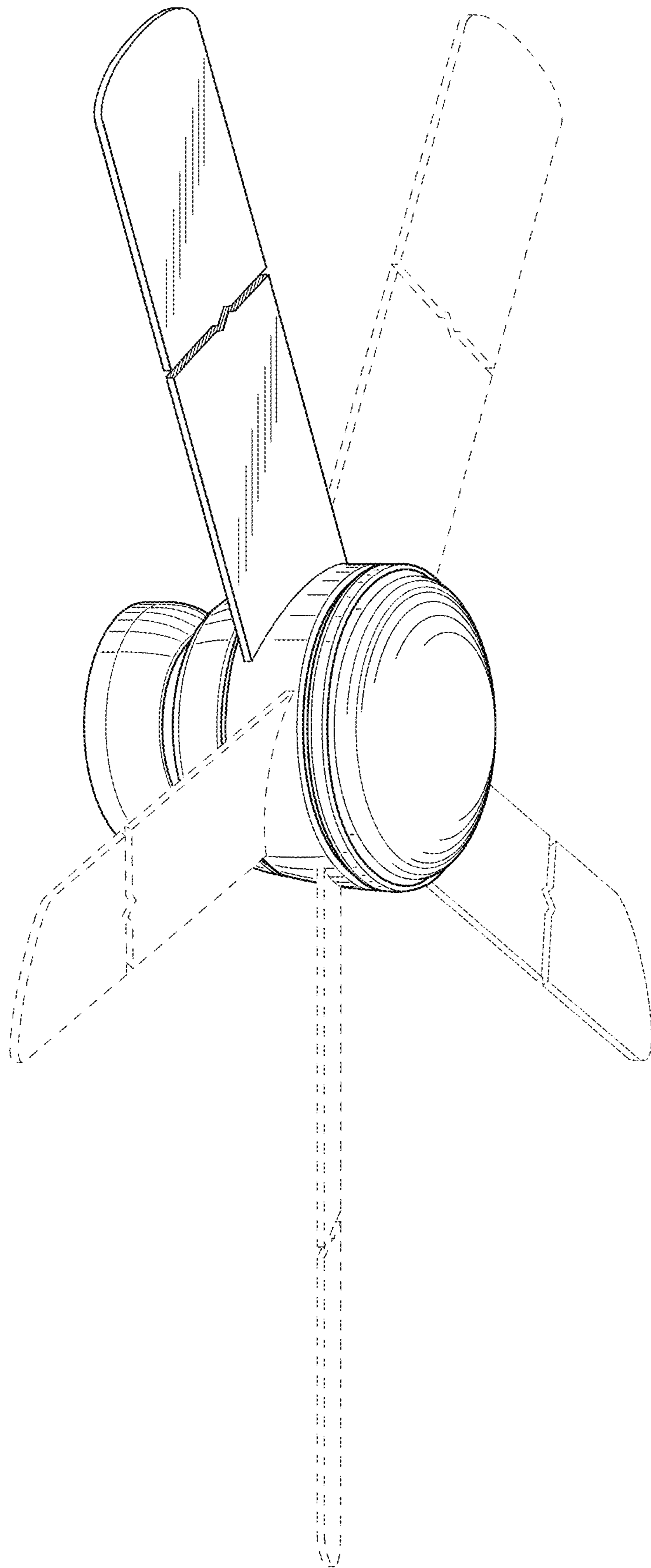


FIG. 10

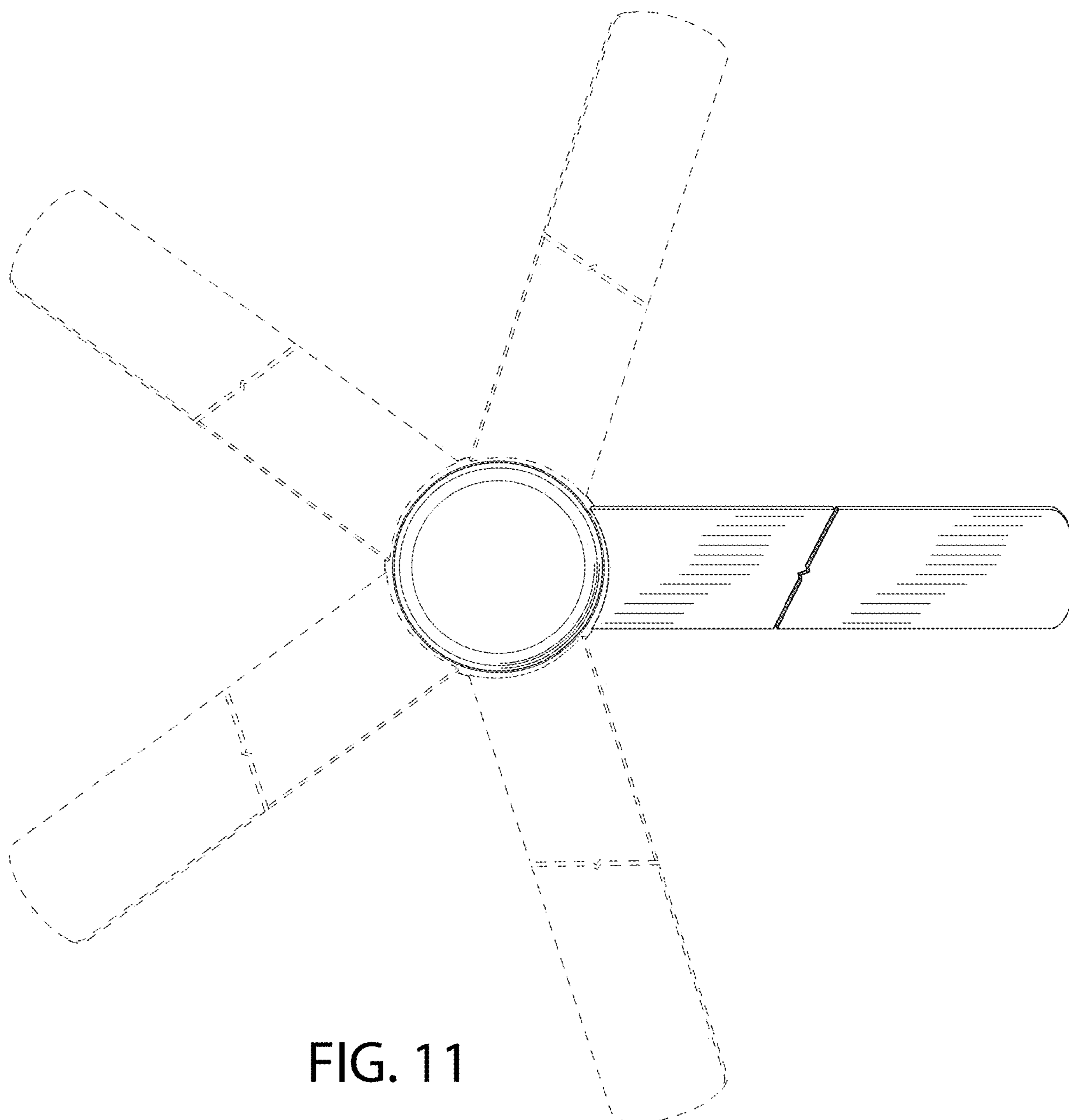


FIG. 11

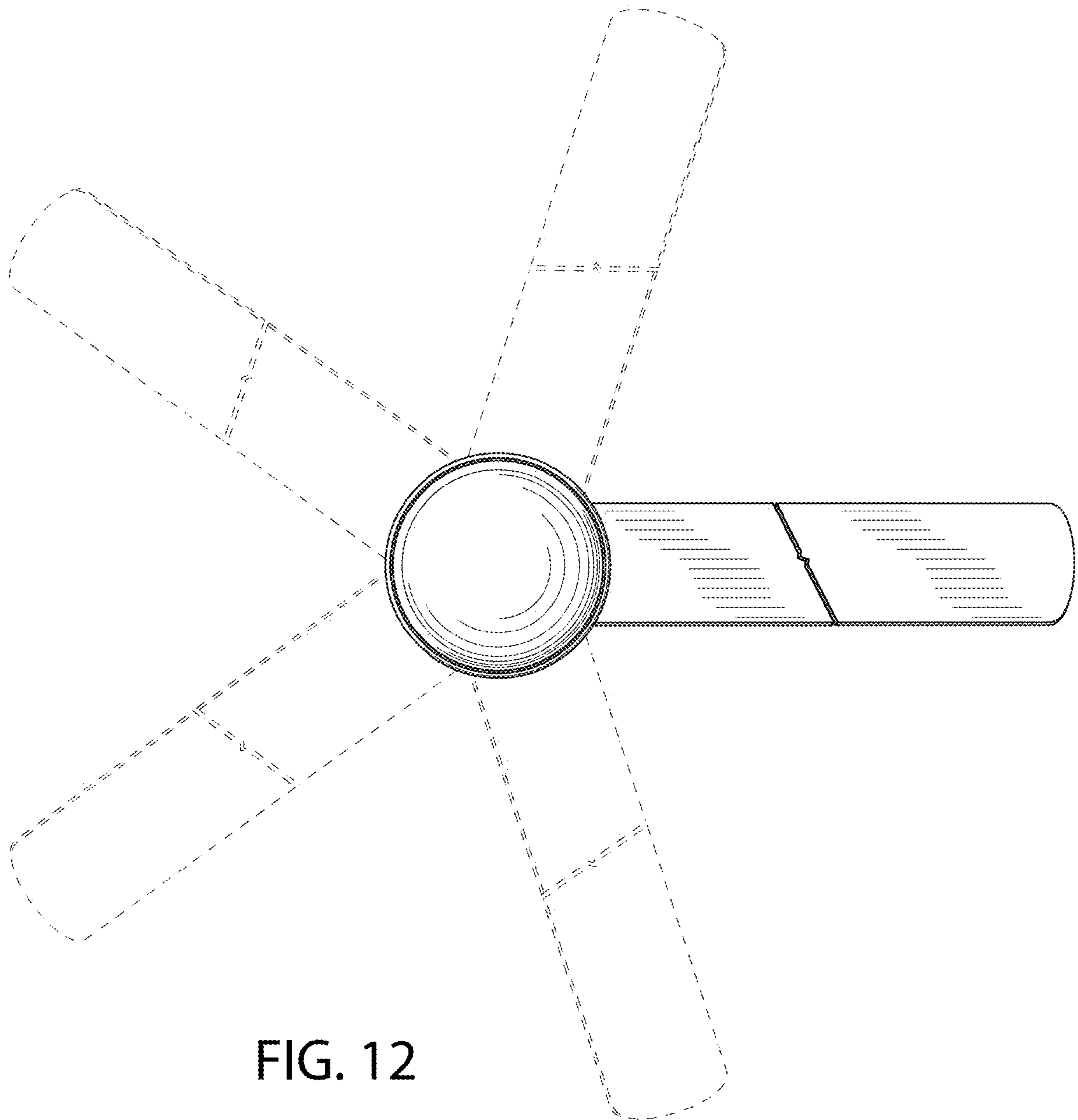


FIG. 12

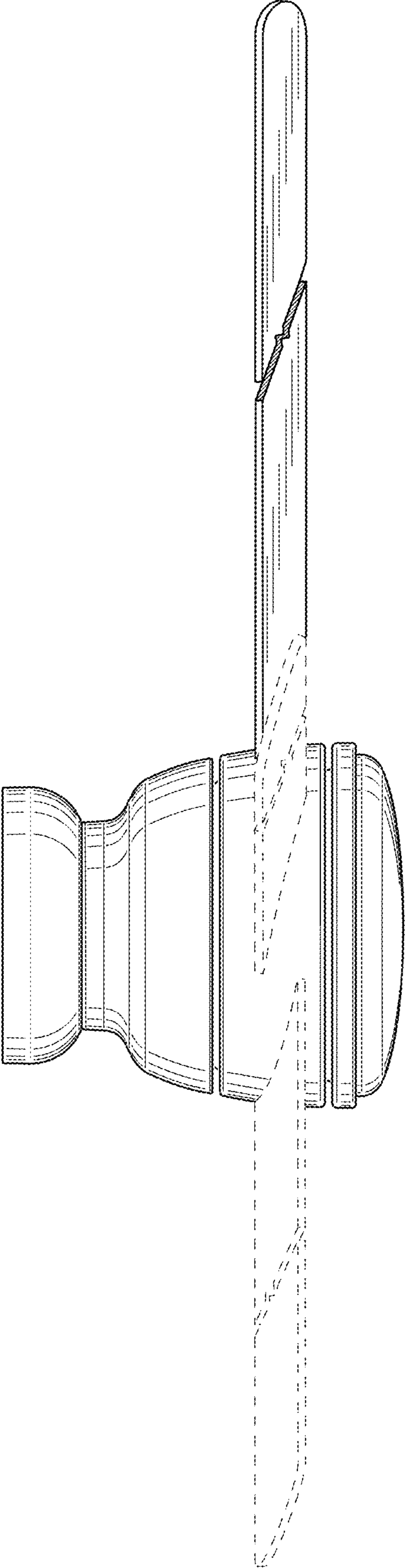


FIG. 13

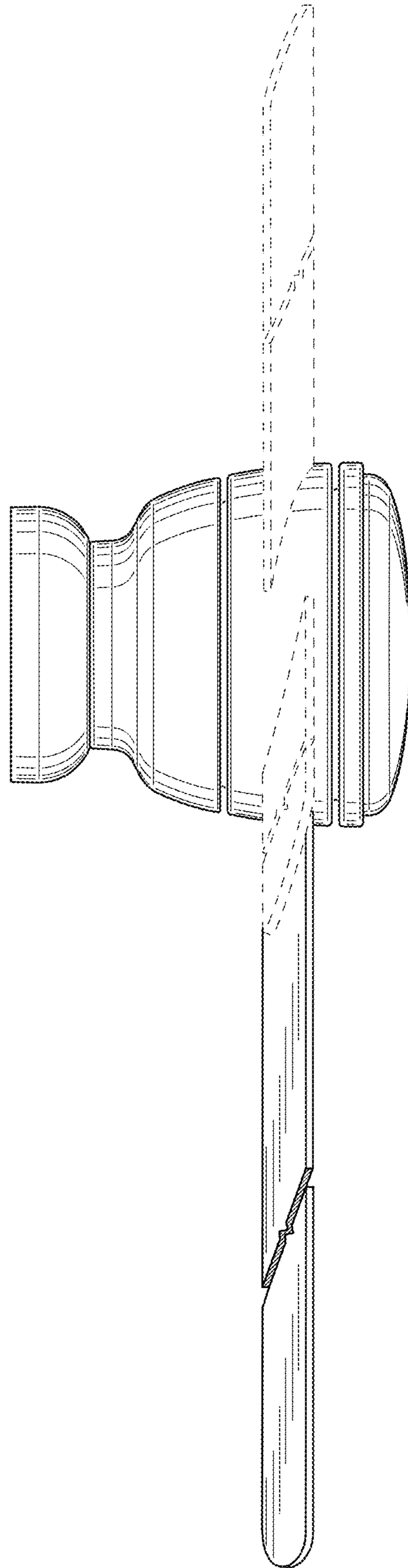


FIG. 14

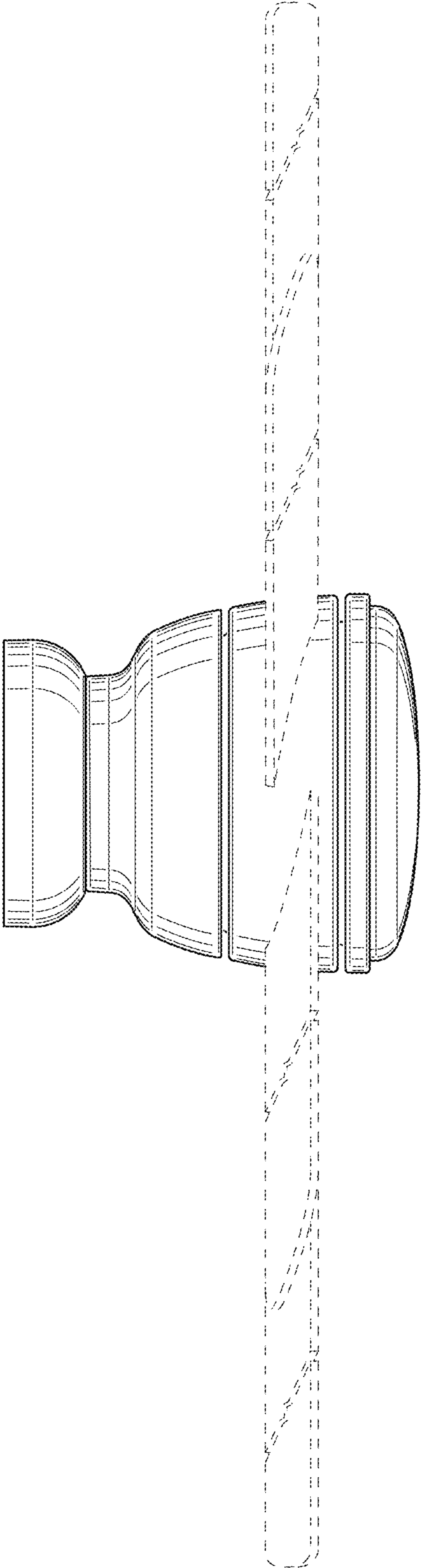


FIG. 15

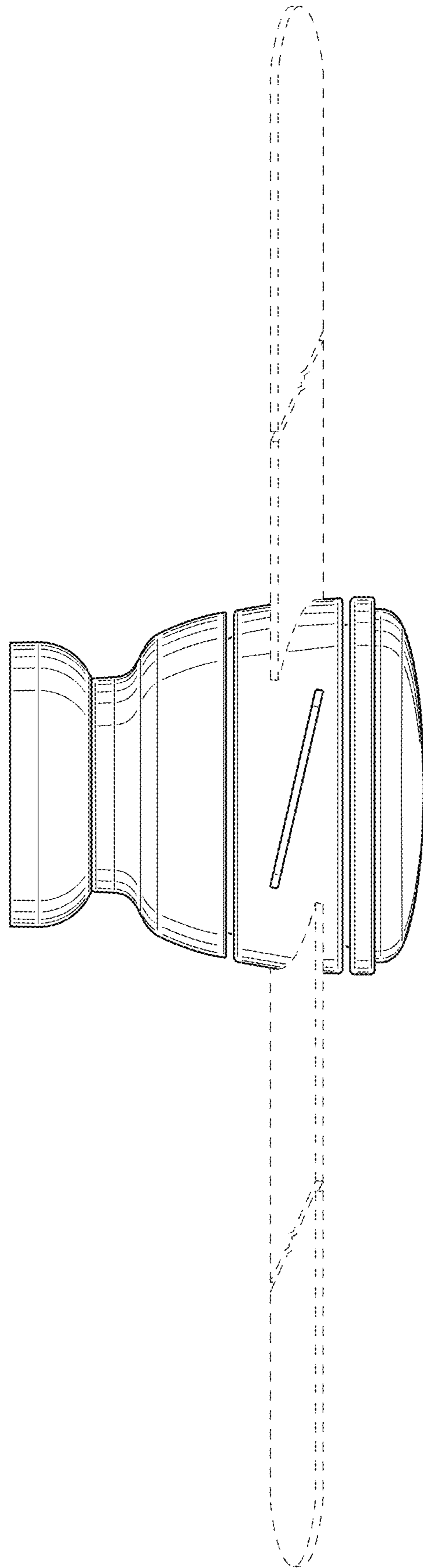


FIG. 16