



US00D872251S

(12) **United States Design Patent** (10) **Patent No.:** **US D872,251 S**
Haggar (45) **Date of Patent:** **** Jan. 7, 2020**

- (54) **CEILING FAN**
- (71) Applicant: **HUNTER FAN COMPANY,**
Memphis, TN (US)
- (72) Inventor: **Alexander Jonathan Haggar,**
Memphis, TN (US)
- (73) Assignee: **Hunter Fan Company,** Memphis, TN
(US)
- (**) Term: **15 Years**
- (21) Appl. No.: **29/624,818**
- (22) Filed: **Nov. 3, 2017**
- (51) **LOC (12) Cl.** **23-04**
- (52) **U.S. Cl.**
USPC **D23/377**
- (58) **Field of Classification Search**
USPC D23/370-385, 411-414; D26/59, 85, 86,
D26/89, 90; D12/214
CPC F04D 25/088; F04D 29/38; F04D 29/384;
F04D 29/386; F21V 33/0096
See application file for complete search history.

D804,641 S *	12/2017	McRoberts	D23/377
D805,175 S *	12/2017	Haggar	D23/377
D806,227 S *	12/2017	Ruan	D23/413
D806,856 S *	1/2018	Schulzman	D23/413
D810,920 S *	2/2018	Haggar	D23/377
D828,915 S *	9/2018	Haggar	D23/413
D852,942 S *	7/2019	McRoberts	D23/411
2012/0313553 A1 *	12/2012	Ko	F04D 25/088 315/362

OTHER PUBLICATIONS

<http://ceilingfans.emerson.com/shop/erVfan/fans-s-emerson-fans/fans-s-contemporary/54-volta-ceiling-fan-fan-p-cf590>, Emerson Volta 54" Ceiling Fan, Item No. CF590BQ, accessed Mar. 29, 2017.

(Continued)

Primary Examiner — Cathron C Brooks
Assistant Examiner — Sharon S Oum
(74) *Attorney, Agent, or Firm* — McGarry Bair PC

(57) **CLAIM**

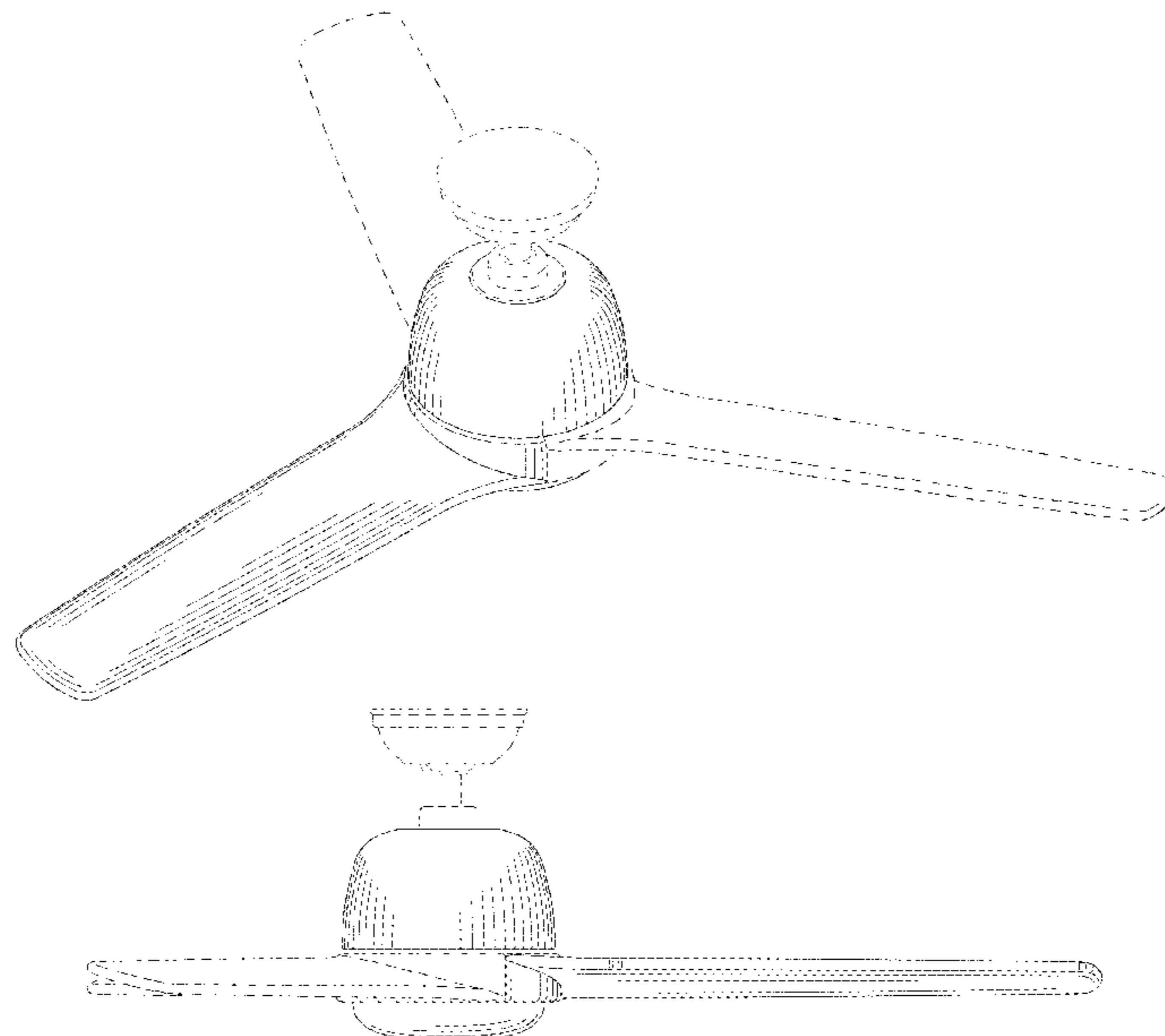
The ornamental design for a ceiling fan, as shown and described.

DESCRIPTION

FIG. 1 is a top perspective view of a ceiling fan showing my new design;
FIG. 2 is a bottom perspective view of the ceiling fan of FIG. 1;
FIG. 3 is a top view of the ceiling fan of FIG. 1;
FIG. 4 is a bottom view of the ceiling fan of FIG. 1;
FIG. 5 is a front view of the ceiling fan of FIG. 1;
FIG. 6 is a rear view of the ceiling fan of FIG. 1;
FIG. 7 is a left side view of the ceiling fan of FIG. 1; and,
FIG. 8 is a right side view of the ceiling fan of FIG. 1.
The broken lines illustrate portions of the ceiling fan that form no part of the claimed design.

1 Claim, 8 Drawing Sheets

- (56) **References Cited**
U.S. PATENT DOCUMENTS
- | | | | |
|--------------|---------|-----------|---------------|
| D331,101 S | 11/1992 | Rezek | |
| D671,203 S | 11/2012 | Wang | |
| D678,997 S | 3/2013 | Gajewski | |
| D707,336 S * | 6/2014 | Pan | D23/377 |
| D739,001 S * | 9/2015 | Crisa' | D23/372 |
| D741,468 S * | 10/2015 | Ertze | D23/377 |
| D742,500 S | 11/2015 | Pan | |
| D743,528 S | 11/2015 | Wang | |
| D750,214 S | 2/2016 | Busta | |
| D795,410 S * | 8/2017 | Holmes | D23/377 |
| D796,024 S * | 8/2017 | Holmes | D23/377 |
| D798,433 S * | 9/2017 | Badarello | D23/413 |
| D800,292 S * | 10/2017 | Haggar | D23/377 |



(56)

References Cited

OTHER PUBLICATIONS

<http://www.casablancafanco.com/CeilingFans/Wisp?ModelNumber=59285>, Casablanca Fan Company, Wisp 52" Ceiling Fan, Model No. 59285, accessed Mar. 29, 2017.

<http://www.quoruminternational.com/index.cfm/app/productDetail?product=142523-86&originalProduct=66565-86>, Quorum International, Bronx Patio Oiled Bronze Ceiling Fan, Item No. 142523-86, accessed Mar. 29, 2017.

<http://www.minkagroup.net/products/f7531-ka>, Minka Group, Java 54" 3-Blade Ceiling Fan in Kocoa Finish with Kocoa Finish Blades w/Etched Opal Glass, Item No. F753L-KA, accessed Mar. 29, 2017.

<http://www.quoruminternational.com/index.cfm/app/productDetail?product=66565-86>, Quorum International, Holt Oiled Bronze Ceiling Fan, Item No. 66565-86, accessed Mar. 29, 2017.

<http://www.craftmade.com/limerick-lim&lbnk>, Craftmade, 60" Limerick Ceiling Fan in Brushed Polished Nickel with Frosted Acrylic, Item No. LIM60BNK, accessed Mar. 29, 2017.

<http://www.homedepot.com/p/Hampton-Bay-Stylique-11-56-in-Brushed-Nickel-Ceiling-Fan-AL979-BN/203786411>, Hampton Bay Stylique II 56" Brushed Nickel Ceiling Fan, Model No. AL979-BN.

<http://www.kichler.com/products/product/56-inch-bisc-fan-pn-300710pn.aspx>, Kichler Bisc Collection, 56 Inch Bisc Fan PN, Item No. 300710PN (Polished Nickel), accessed Jun. 7, 2017.

<http://www.homedepot.com/catalog/pdfImages/49/497f430e-b2c0-489f-b146-16365cba3fe3.pdf>, GE LED Ceiling Fan, 54", Model N. 16371 User Manual, accessed Jun. 7, 2017.

<http://www.montecarlofans.com/44080/72in-Minimalist-Max-Matte-Black-3MNLR72BKD.html>, Monte Carlo Minimalist Max Collection, 72" Minimalist Max—Matte Black, Product No. 3MNLR72BKD, accessed Jun. 7, 2017.

<https://www.craftmade.com/ceiling-fans/mobi/mobi-mob60ob>, Craftmade 60 Mobi Ceiling Fan in Oiled Bronze with White Frost Glass, Model No. MOB60OB, accessed Jun. 7, 2017.

<http://www.fanimation.com/products/index.php/fans/spitfire-788.html>, Fanimation Spitfire Ceilin Fan, Model No. MA6721, accessed Jun. 7, 2017.

<http://www.minkagroup.net/products/f477-bnw-1/>, Minka Group, Concept I, 58" 3 Blade Ceiling Fan in Brushed Nickel Wet Finish with Silver Blades with White Opal Glass, Model No. F477-BNW, accessed Jun. 7, 2017.

<http://www.kingoffans.com/#/products/ceilingFans>, King of Fans, Altura in Oil Rubbed Bronze with 5-Real Wood Blades, Model No. 68068, accessed Jun. 7, 2017.

<http://www.casablancafanco.com/Ceiling-Fans/Piston?ModelNumber=59195>, Casablanka Fan Company, Piston 52" Ceiling Fan, Model No. 59195, accessed Jun. 7, 2017.

* cited by examiner

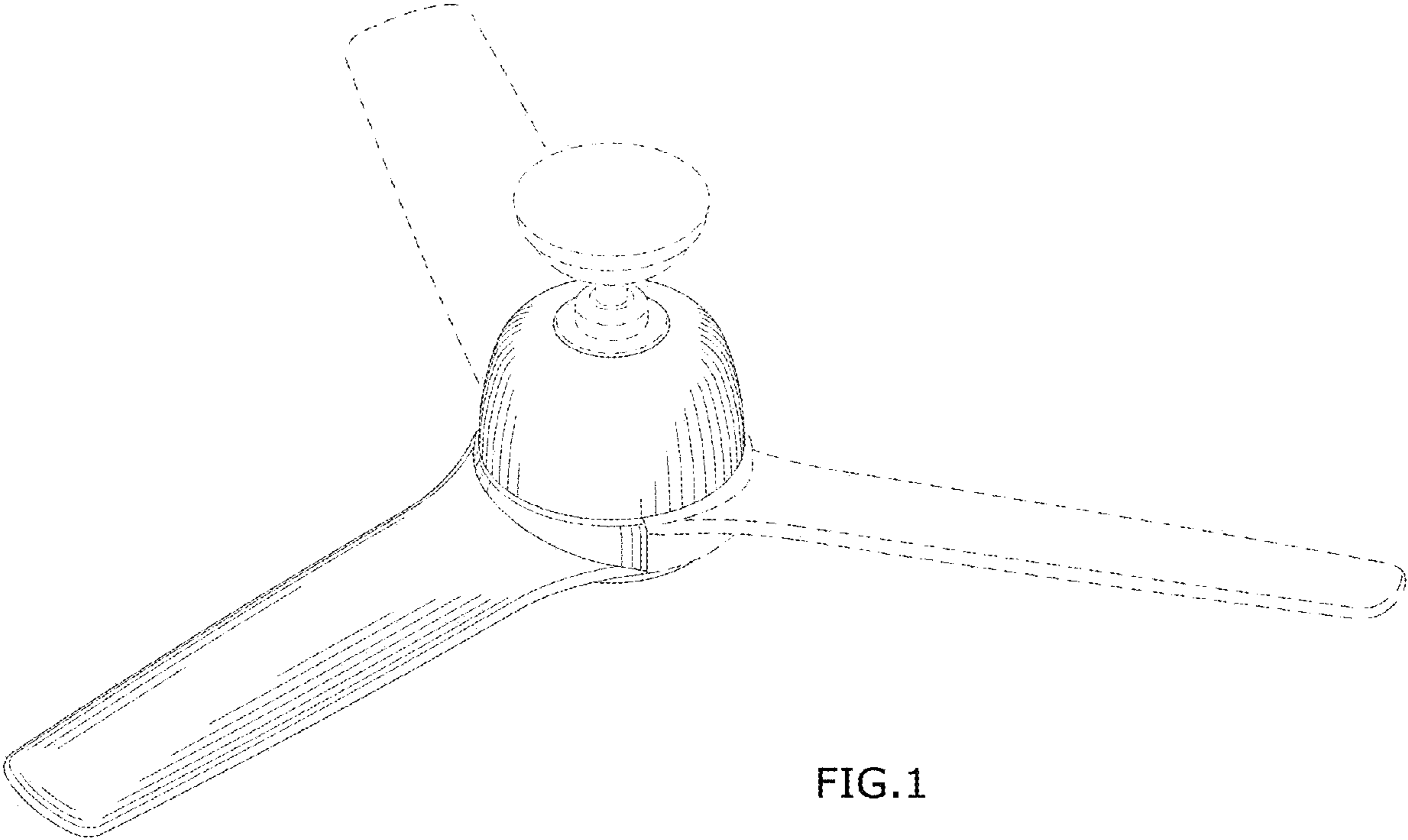


FIG.1

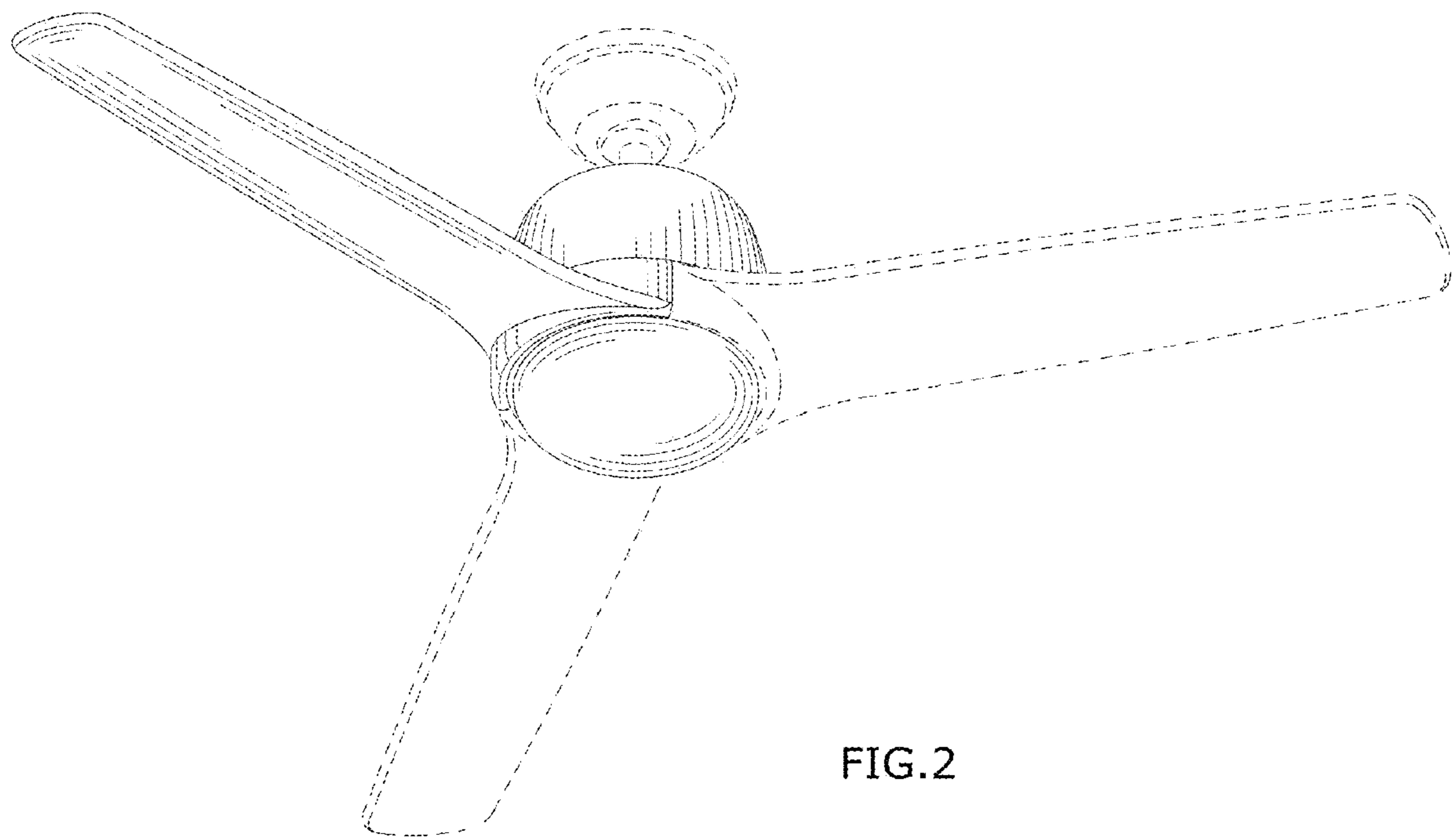


FIG. 2

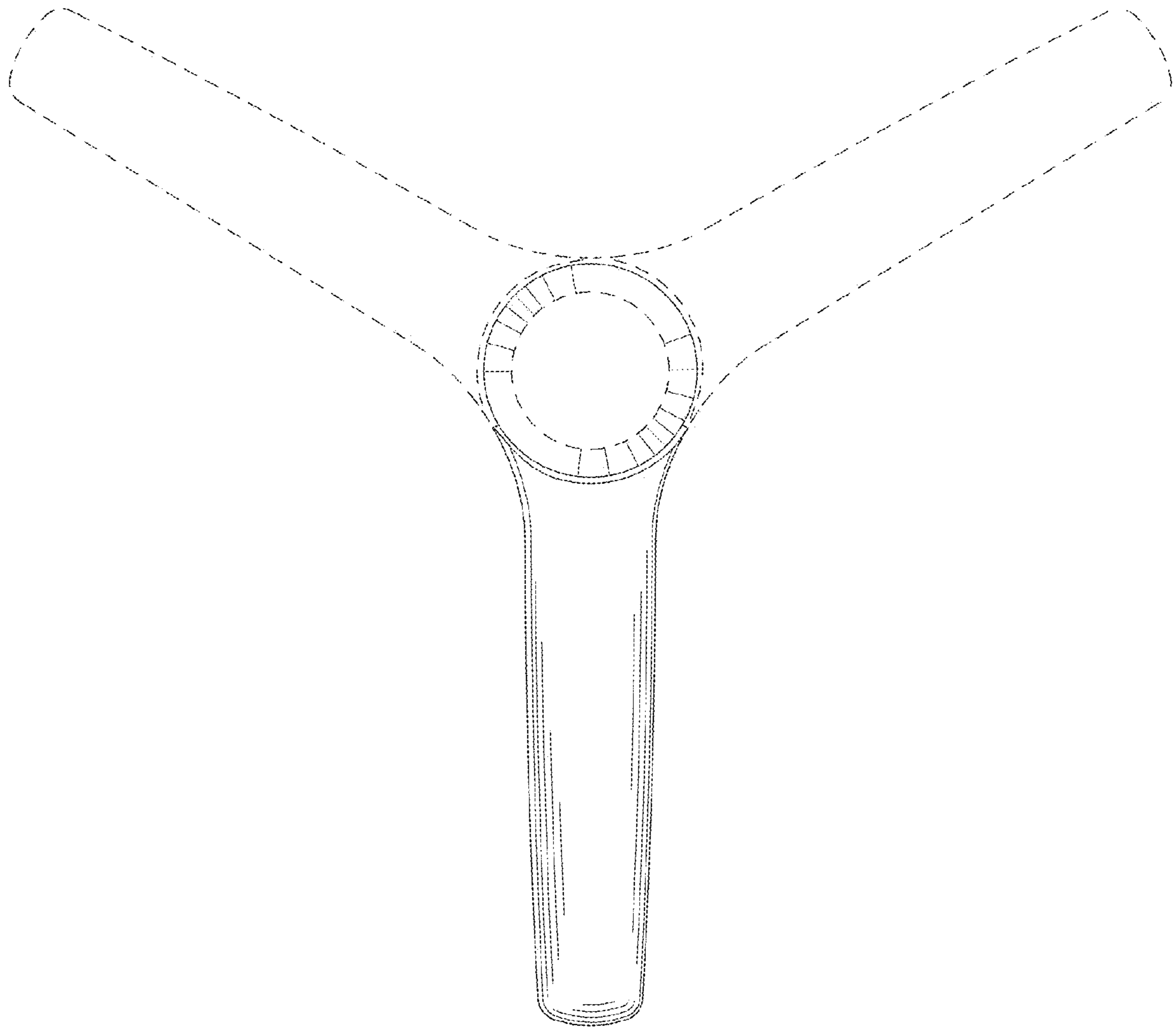


FIG.3

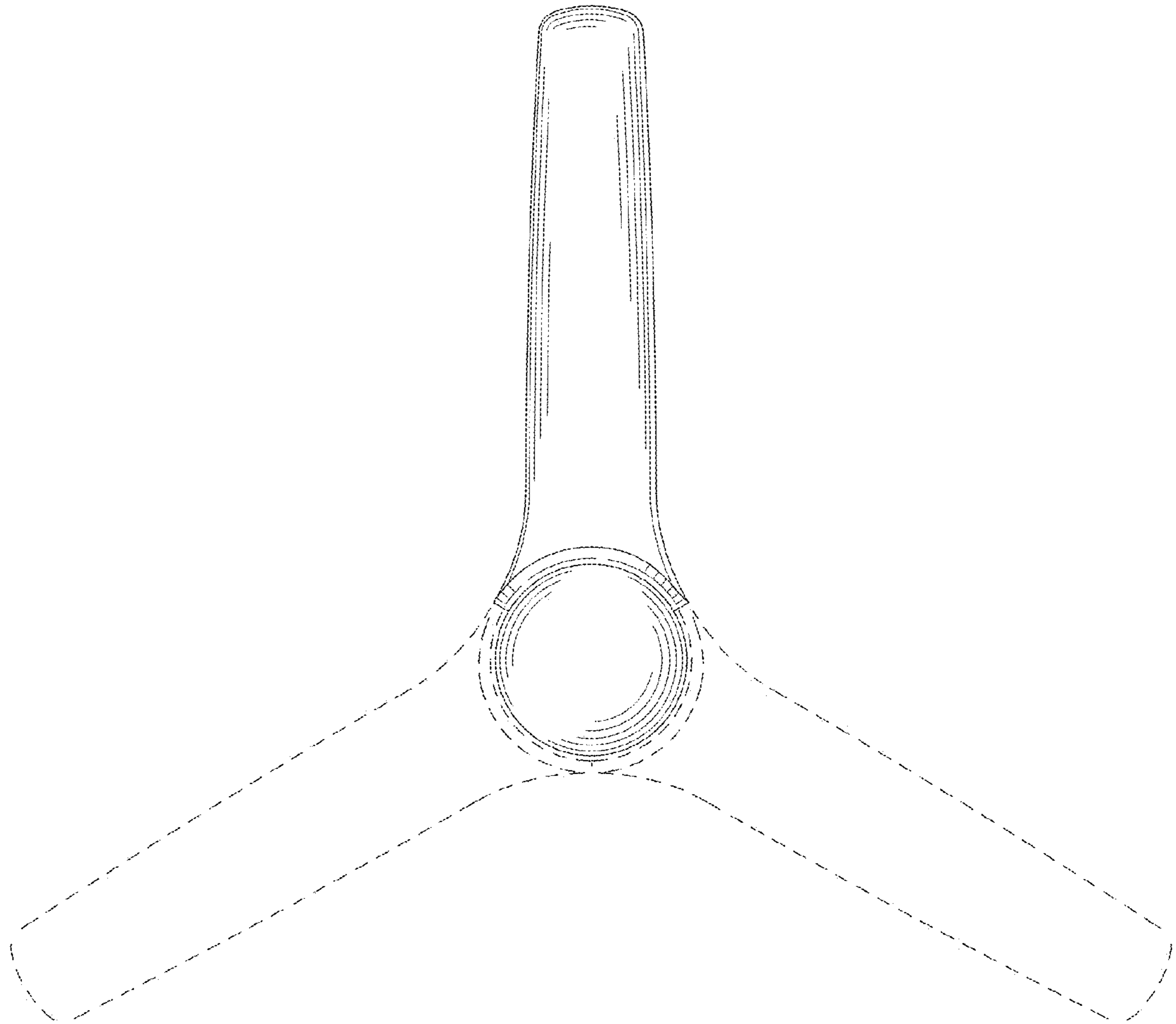


FIG.4

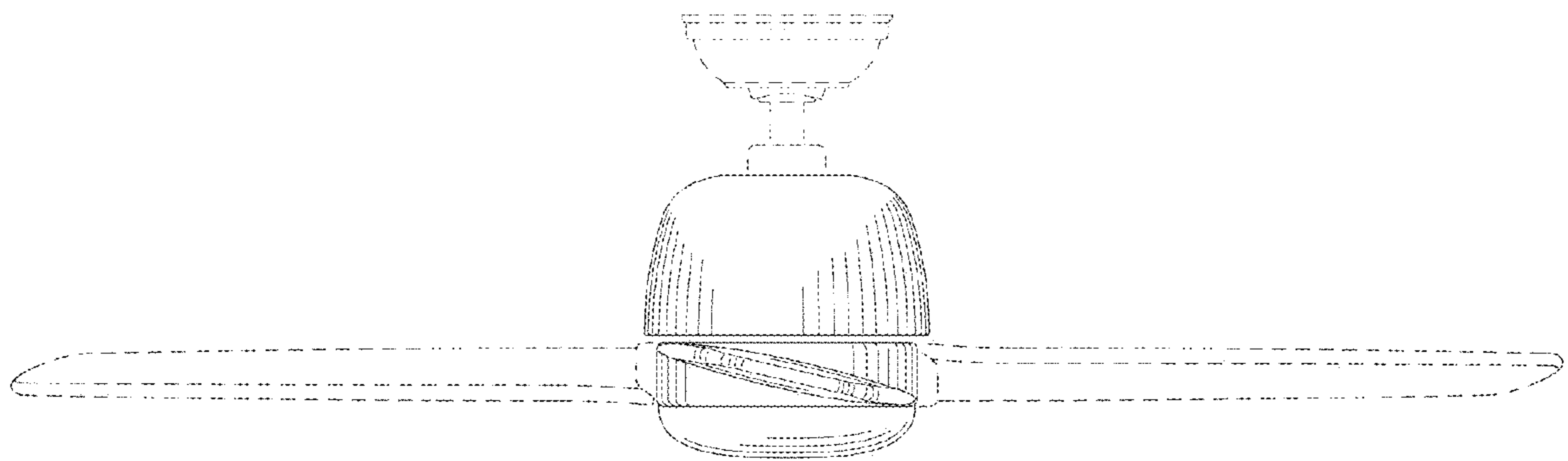


FIG.5

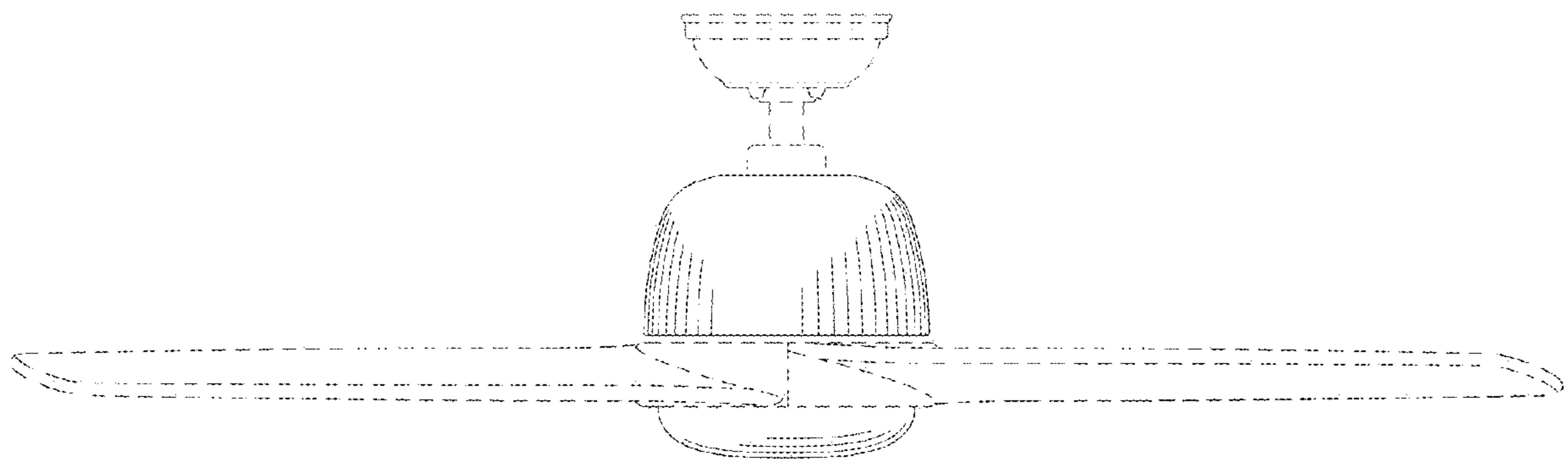


FIG. 6

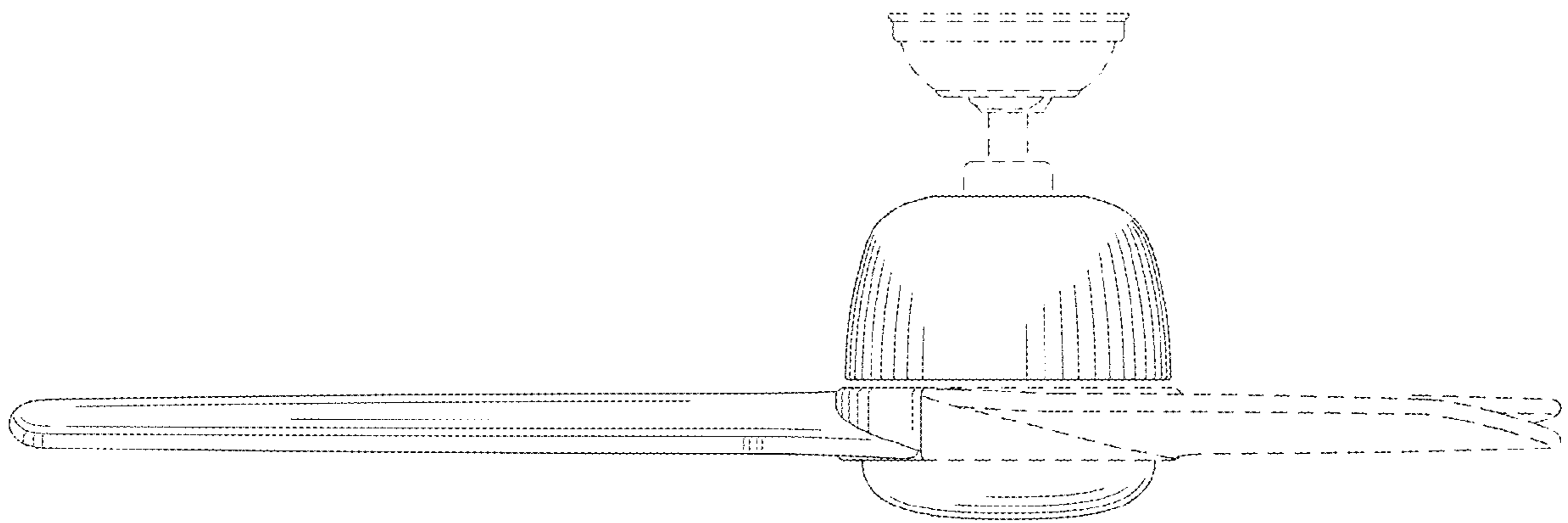


FIG.7

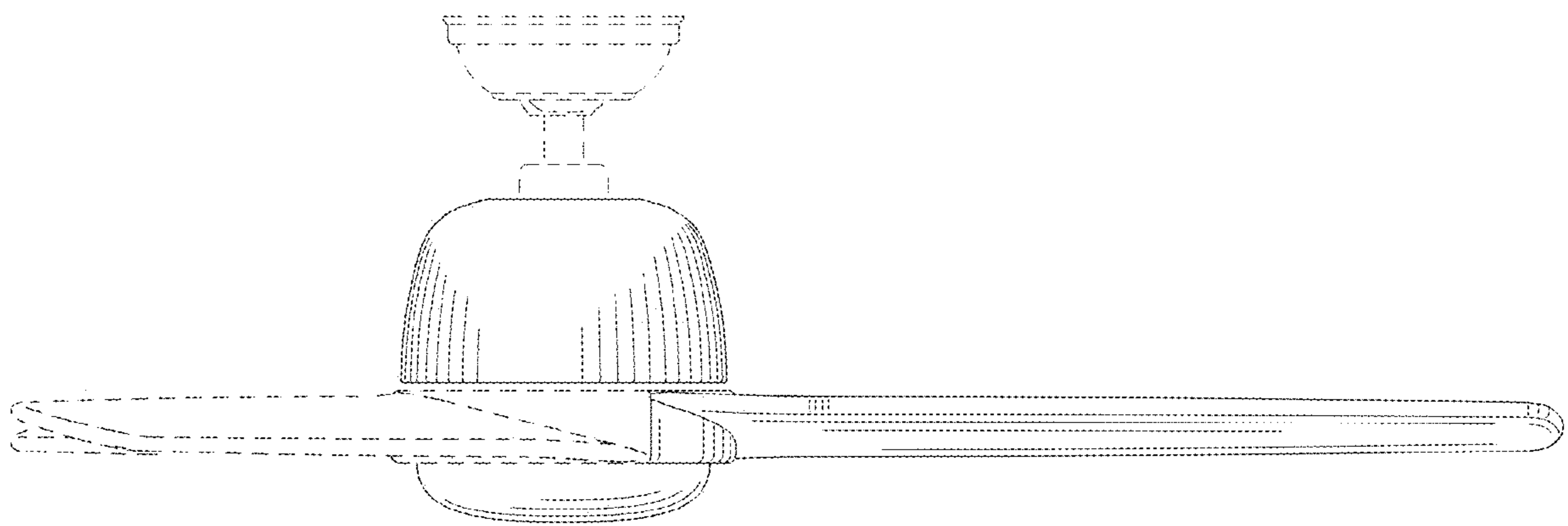


FIG. 8