



US00D872247S

(12) **United States Design Patent** (10) **Patent No.:** **US D872,247 S**
Lee (45) **Date of Patent:** **** Jan. 7, 2020**

(54) **AROMA DIFFUSER**
(71) Applicant: **Bloomy Lotus Ltd**, Hong Kong (HK)
(72) Inventor: **Leander Lee**, Hong Kong (HK)
(73) Assignee: **Bloomy Lotus Ltd**, Hong Kong (HK)
(**) Term: **15 Years**

D726,975 S * 4/2015 Kim A63H 3/003
D21/604
D734,679 S * 7/2015 Liu D10/53
D766,569 S * 9/2016 Lee D21/604
D774,797 S * 12/2016 Li D6/534
D800,886 S * 10/2017 Lin D23/366
D802,061 S * 11/2017 Kuwahara D21/656
D819,146 S * 5/2018 Villano A63H 3/003
D21/652

(21) Appl. No.: **29/667,503**
(22) Filed: **Oct. 22, 2018**

* cited by examiner

Primary Examiner — Sheryl Lane
Assistant Examiner — Calvin E Vansant

(30) **Foreign Application Priority Data**
May 11, 2018 (HK) 1800919.9M001
(51) **LOC (12) Cl.** **23-04**
(52) **U.S. Cl.**
USPC **D23/366**
(58) **Field of Classification Search**
USPC D23/208, 355–369
CPC A61L 9/02; A61L 9/03; A61L 9/12; A61L
9/035; A61L 9/125
See application file for complete search history.

(57) **CLAIM**

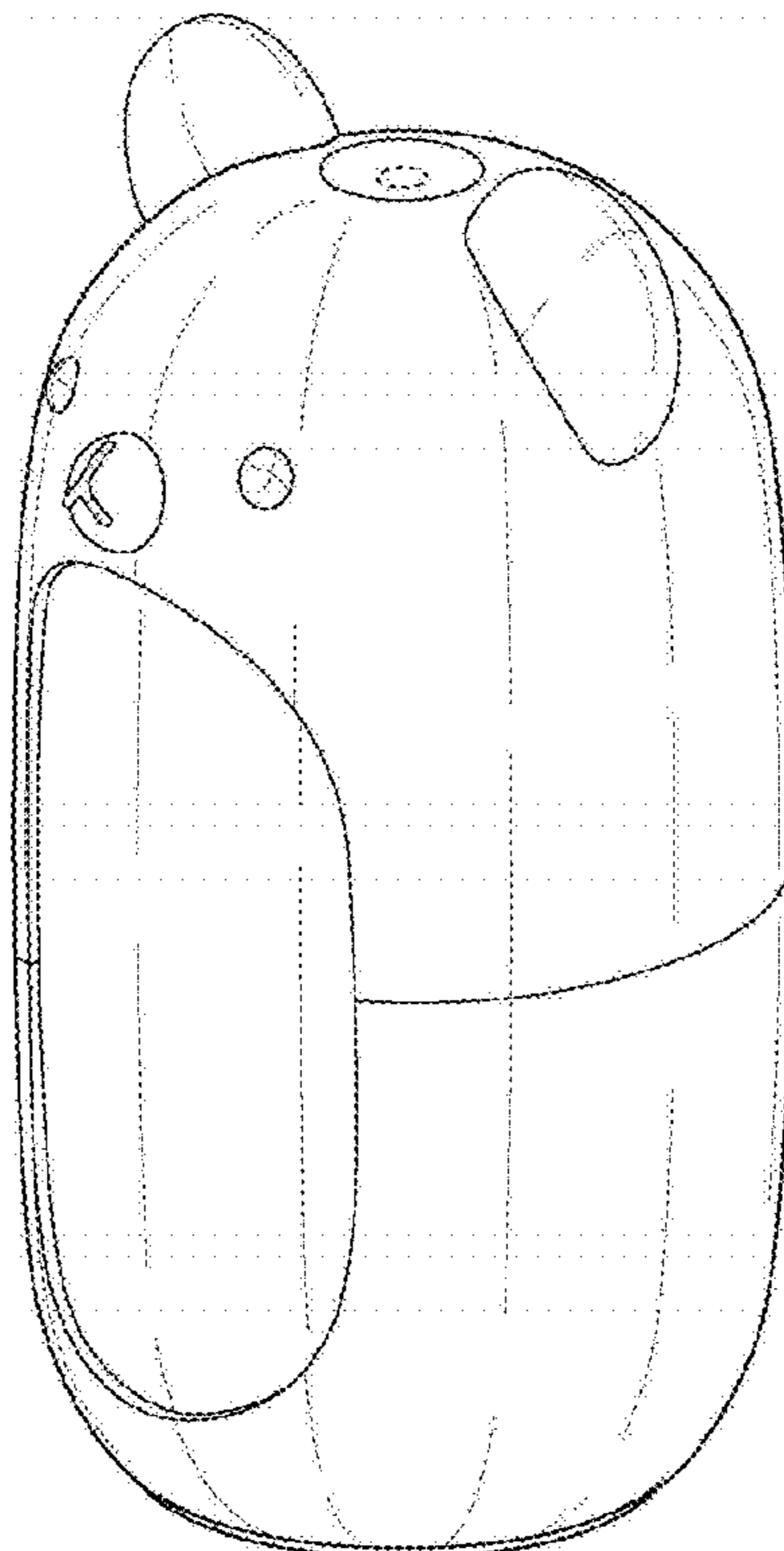
The ornamental design for an aroma diffuser, as shown and described.

DESCRIPTION

FIG. 1 is a front elevational view of an aroma diffuser showing my new design;
FIG. 2 is a rear elevational view thereof;
FIG. 3 is a left side view thereof;
FIG. 4 is a right side view thereof;
FIG. 5 is a top plan view thereof;
FIG. 6 is a bottom plan view thereof;
FIG. 7 is a top, front and right side perspective view thereof; and,
FIG. 8 is a top, rear and left side perspective view thereof.
The broken lines in the drawings illustrate portions of the aroma diffuser which form no part of the claimed design.

(56) **References Cited**
U.S. PATENT DOCUMENTS
D318,226 S * 7/1991 Camus D23/366
D573,894 S * 7/2008 Takacs D21/604
D583,455 S * 12/2008 Kay D23/366
D612,924 S * 3/2010 Jorgensen D23/366
D691,253 S * 10/2013 Chen D23/366
D722,805 S * 2/2015 Banos D24/198

1 Claim, 8 Drawing Sheets



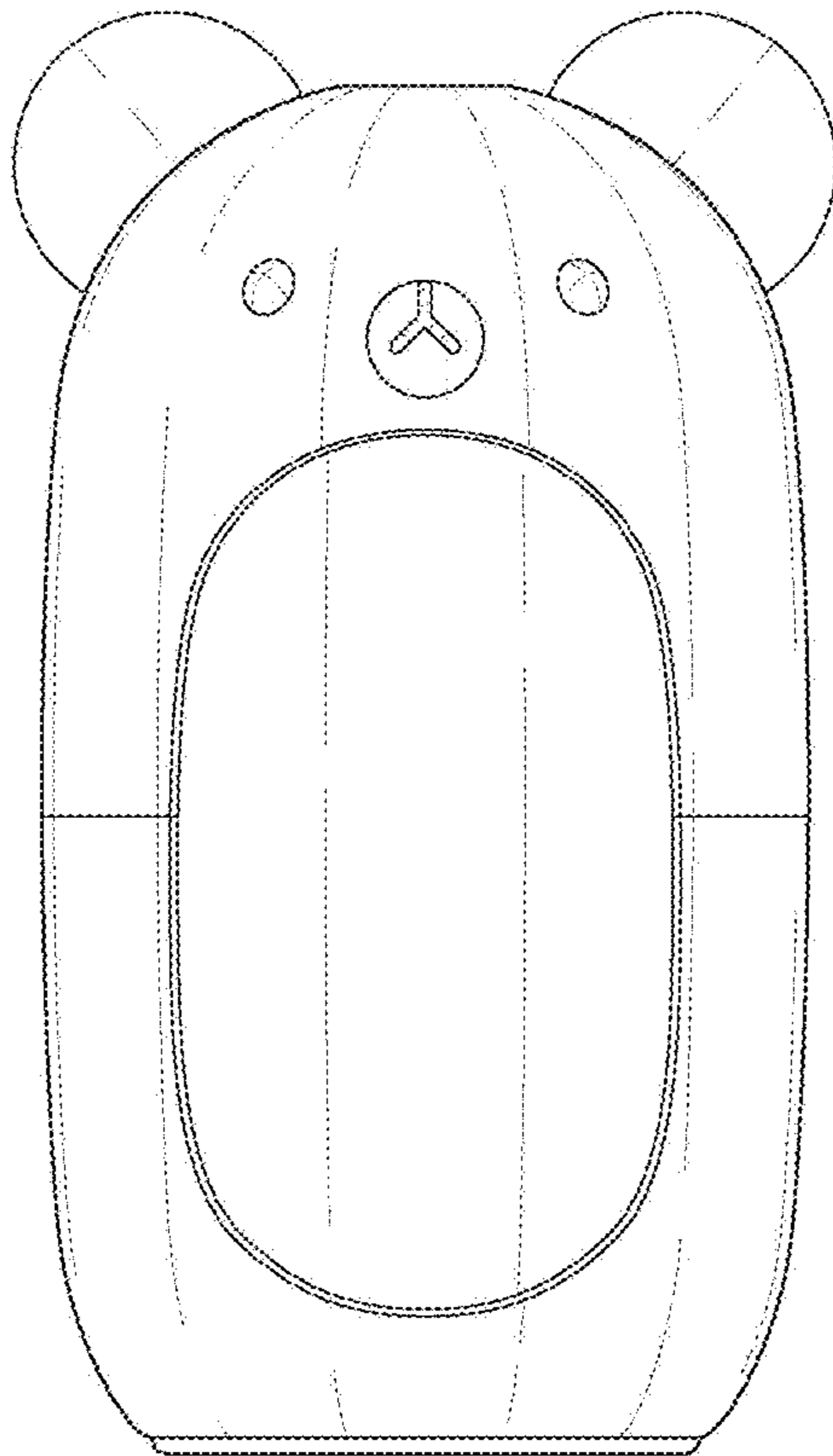


Fig. 1

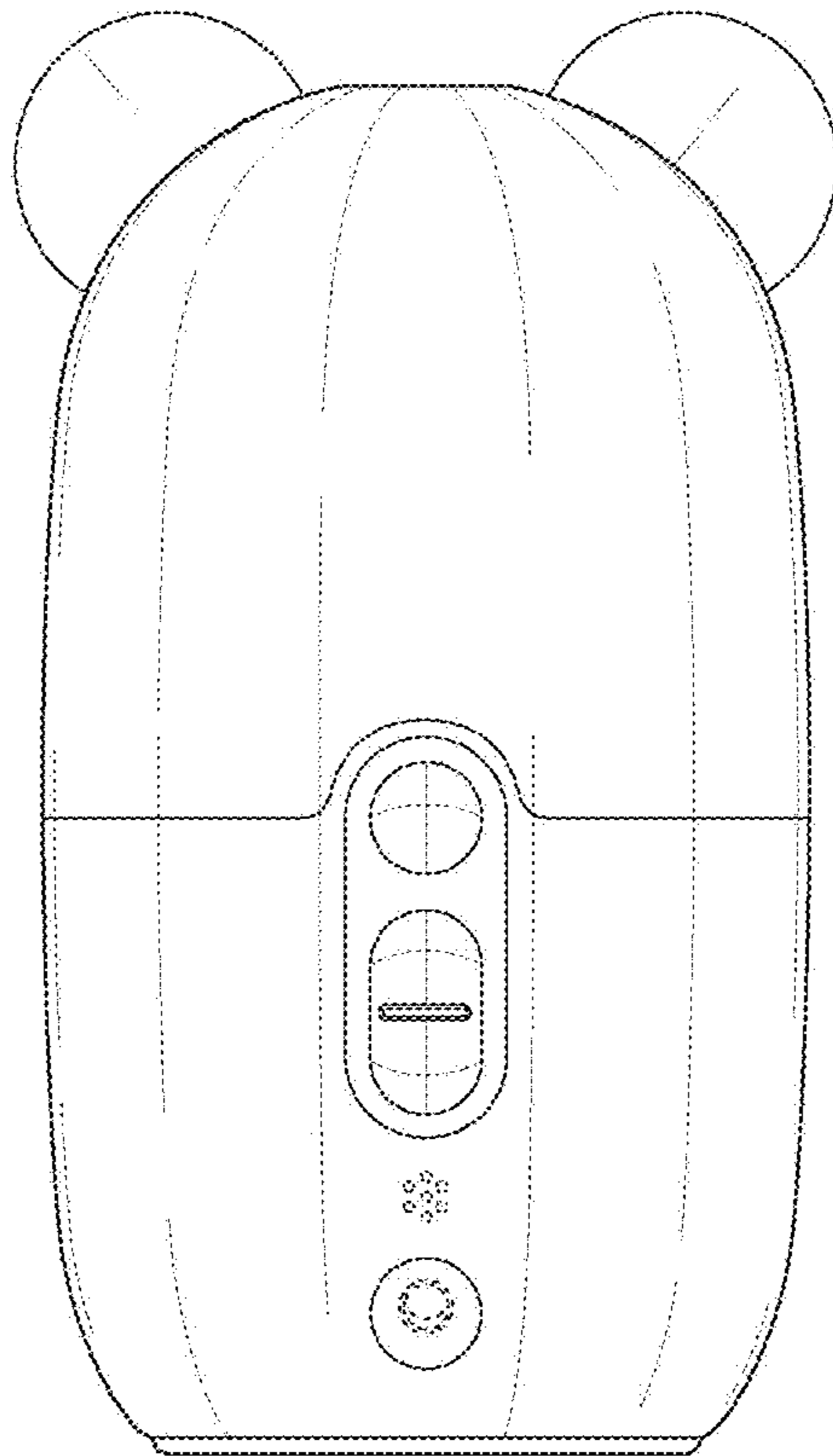


Fig. 2

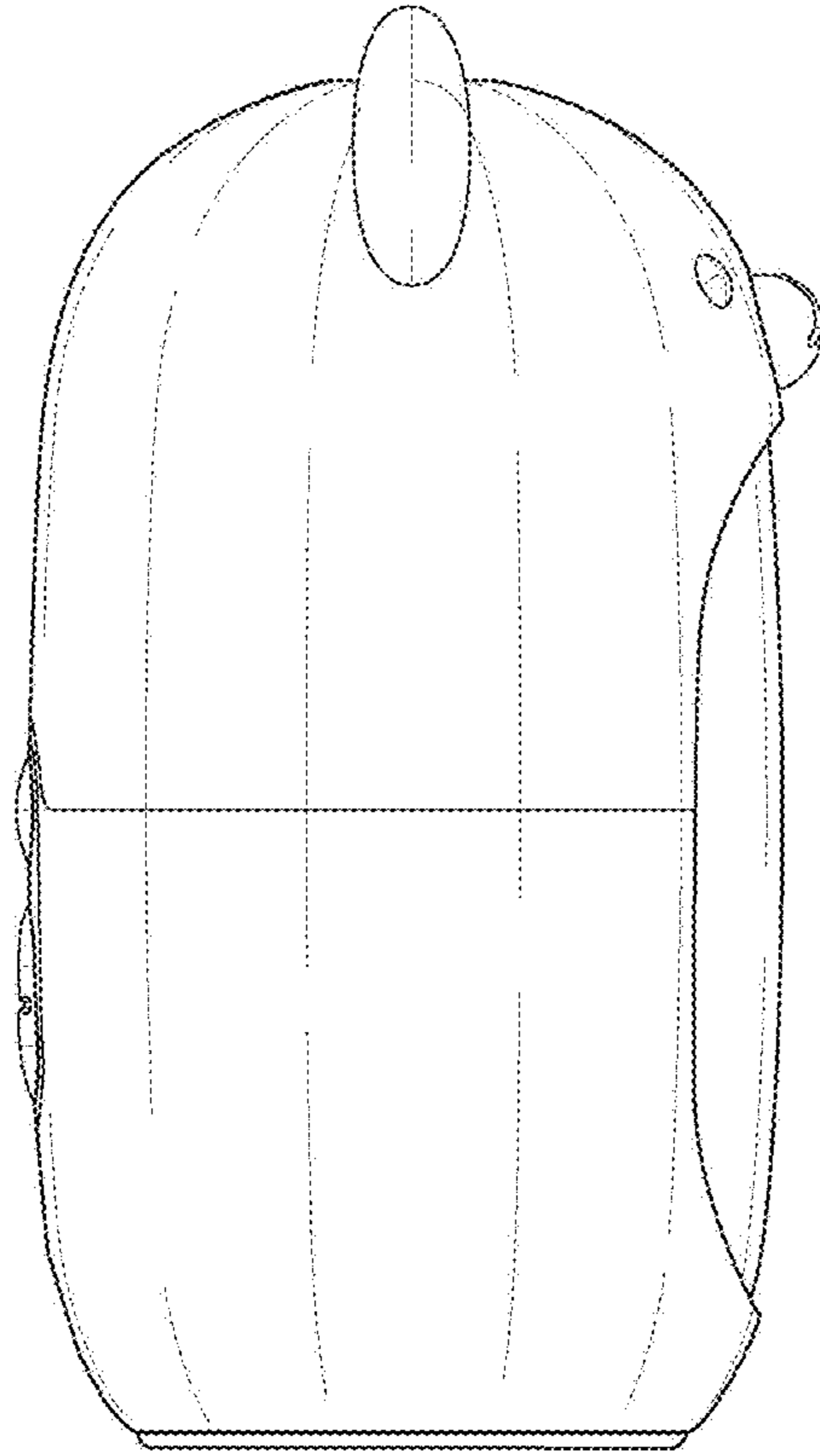


Fig. 3

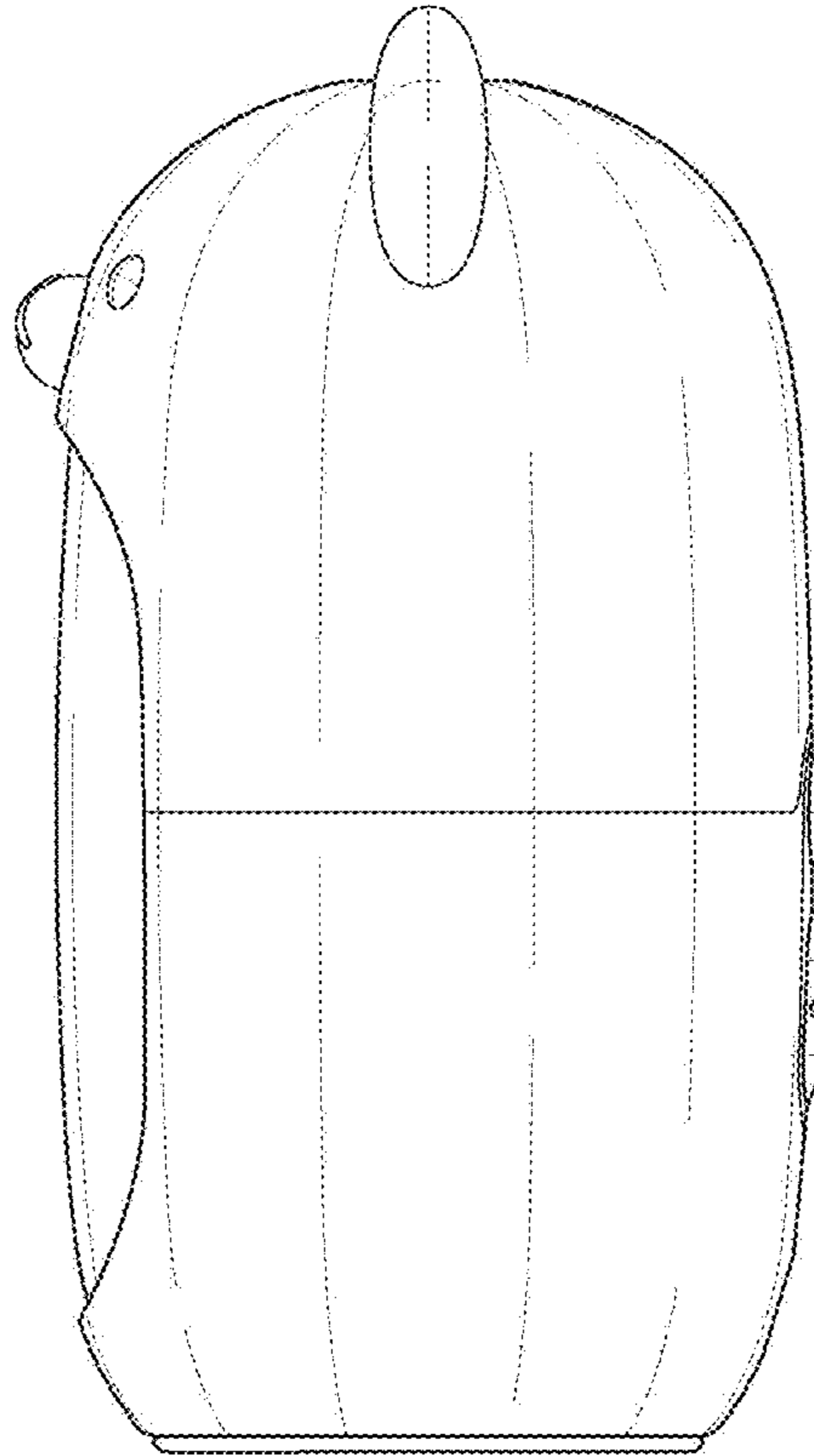


Fig. 4

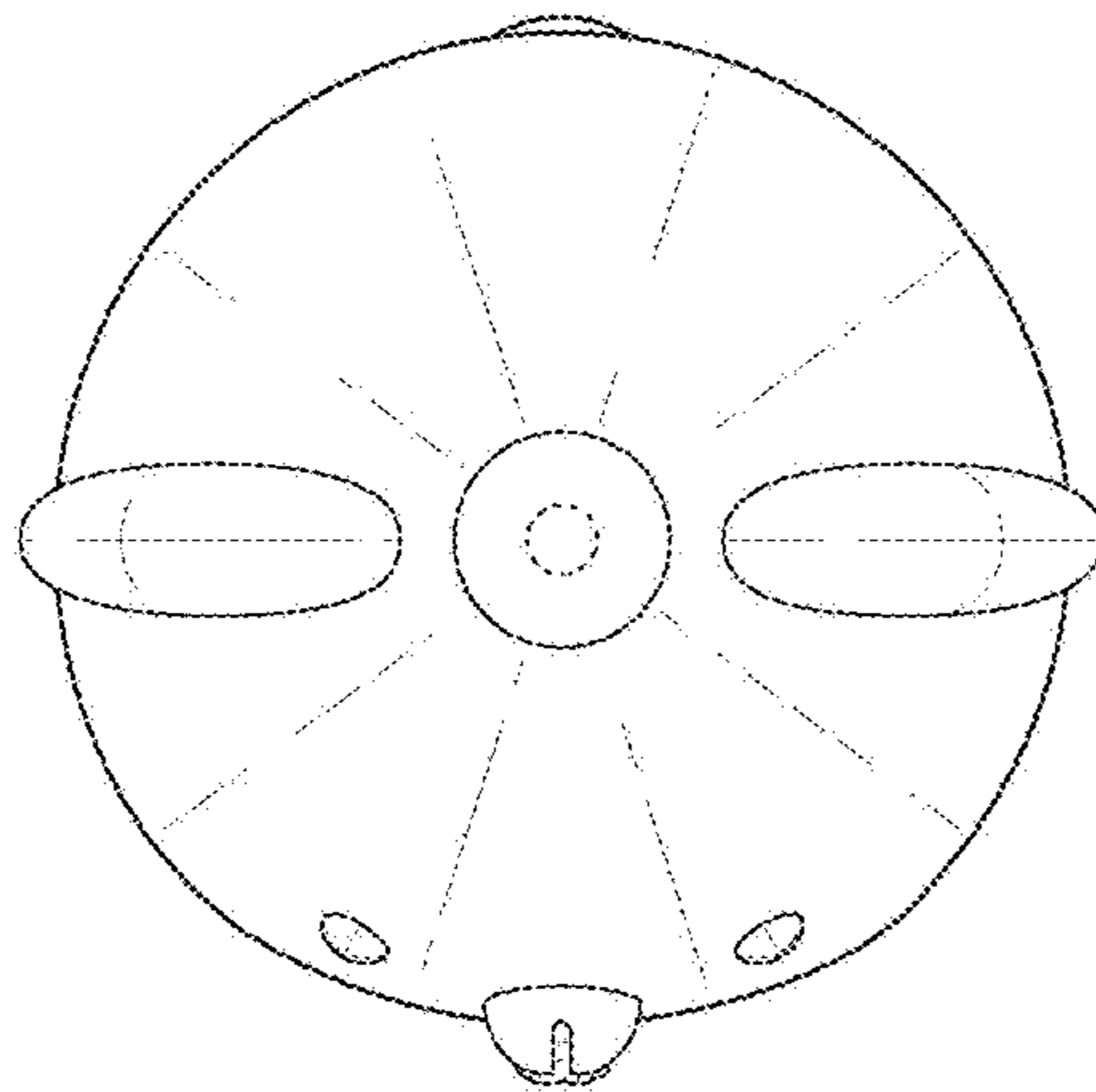


Fig. 5

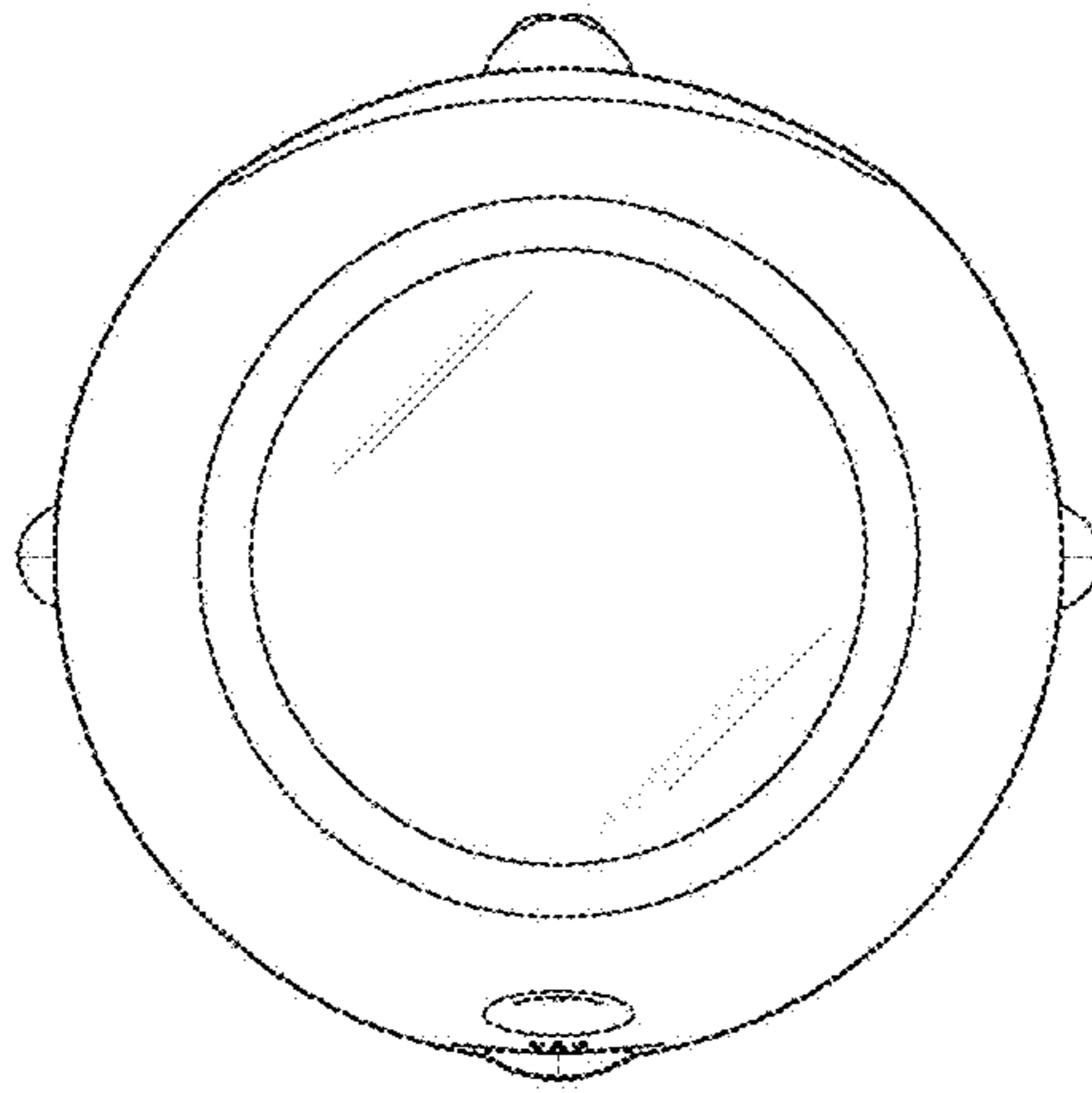


Fig. 6

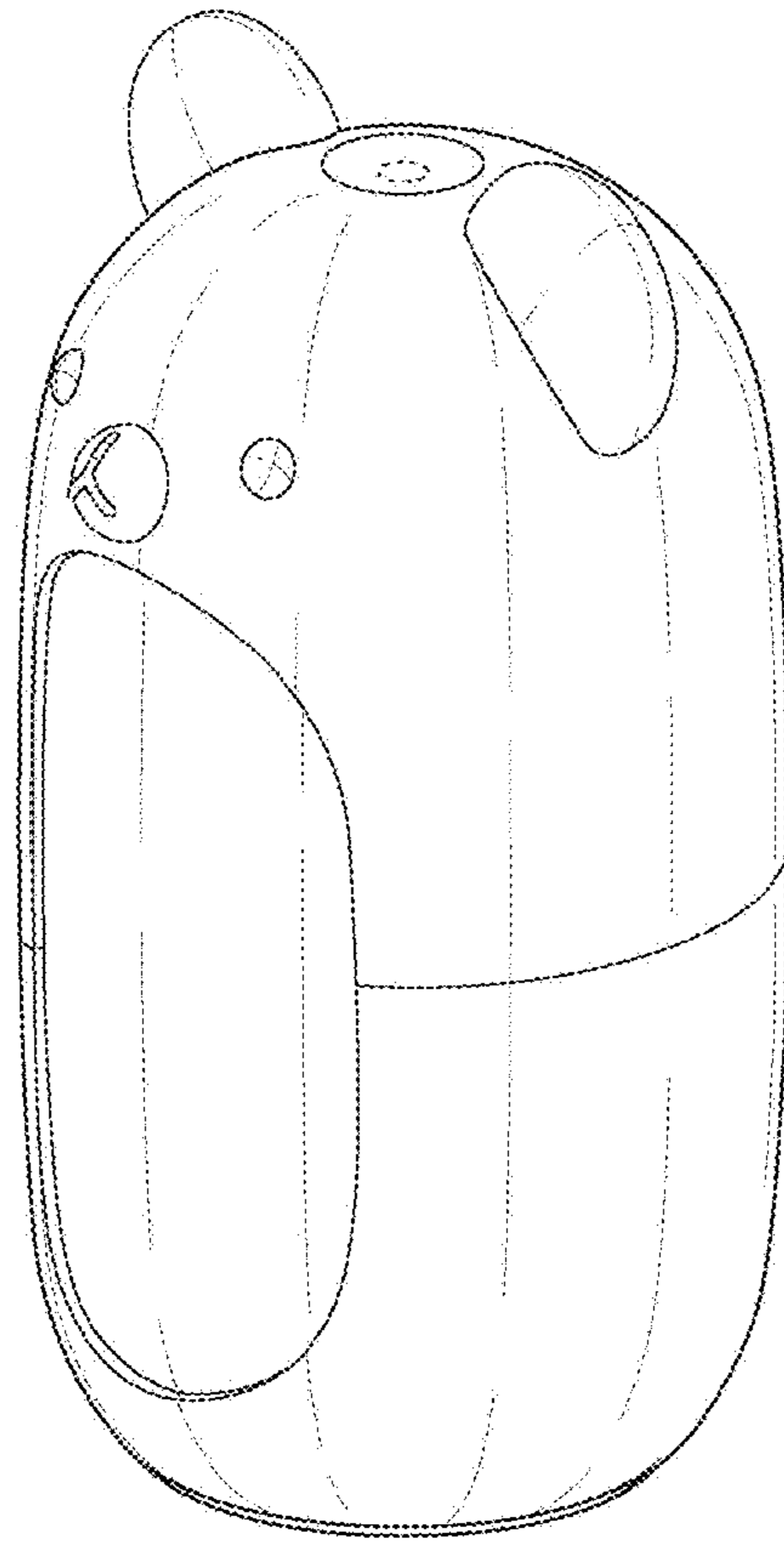


Fig. 7

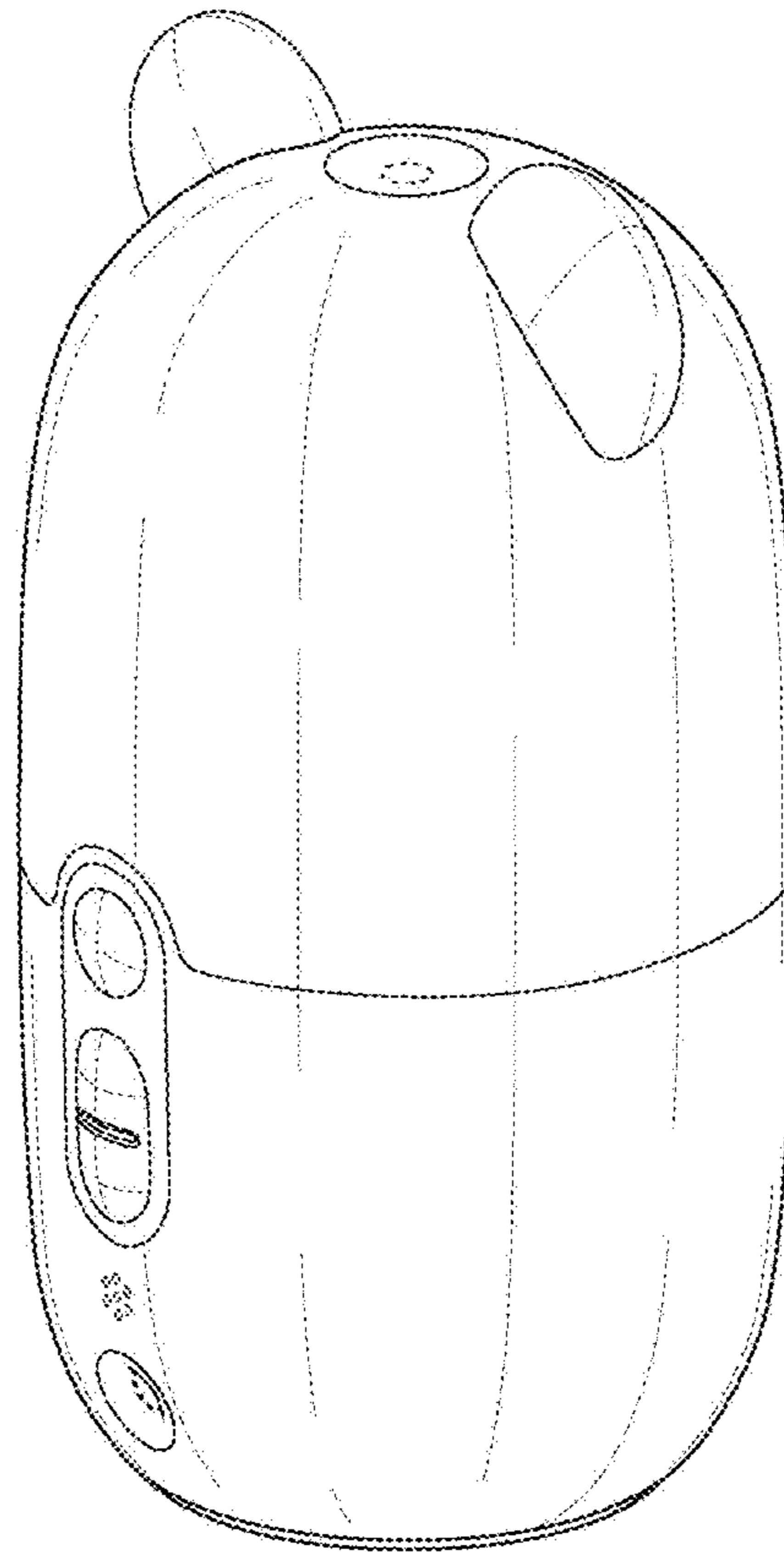


Fig. 8