



US00D872246S

(12) **United States Design Patent**
Lee

(10) **Patent No.:** **US D872,246 S**
(45) **Date of Patent:** **** Jan. 7, 2020**

(54) **AROMA DIFFUSER**
(71) Applicant: **Bloomy Lotus Ltd**, Hong Kong (HK)
(72) Inventor: **Leander Lee**, Hong Kong (HK)
(73) Assignee: **Bloomy Lotus Ltd**, Hong Kong (HK)
(**) Term: **15 Years**
(21) Appl. No.: **29/656,508**
(22) Filed: **Jul. 13, 2018**

D711,523 S * 8/2014 Hsiao D23/366
D711,524 S * 8/2014 Hsiao D23/366
D720,064 S * 12/2014 Li A61L 9/16
D23/366
8,983,277 B2 * 3/2015 Hsiao A61L 9/03
392/386
D776,800 S * 1/2017 King A61L 9/03
D23/366
D800,885 S * 10/2017 Chou B60H 3/0028
D23/366
D828,813 S * 9/2018 Liu D13/144
2014/0133841 A1 * 5/2014 Hsiao A61L 9/16
392/386

* cited by examiner

(30) **Foreign Application Priority Data**
Jun. 1, 2018 (HK) 1801079.7M003
(51) **LOC (12) Cl.** **23-04**
(52) **U.S. Cl.**
USPC **D23/366**
(58) **Field of Classification Search**
USPC D23/208, 355-369
CPC A61L 9/02; A61L 9/03; A61L 9/12; A61L
9/035; A61L 9/125
See application file for complete search history.

Primary Examiner — Sheryl Lane
Assistant Examiner — Calvin E Vansant

(57) **CLAIM**

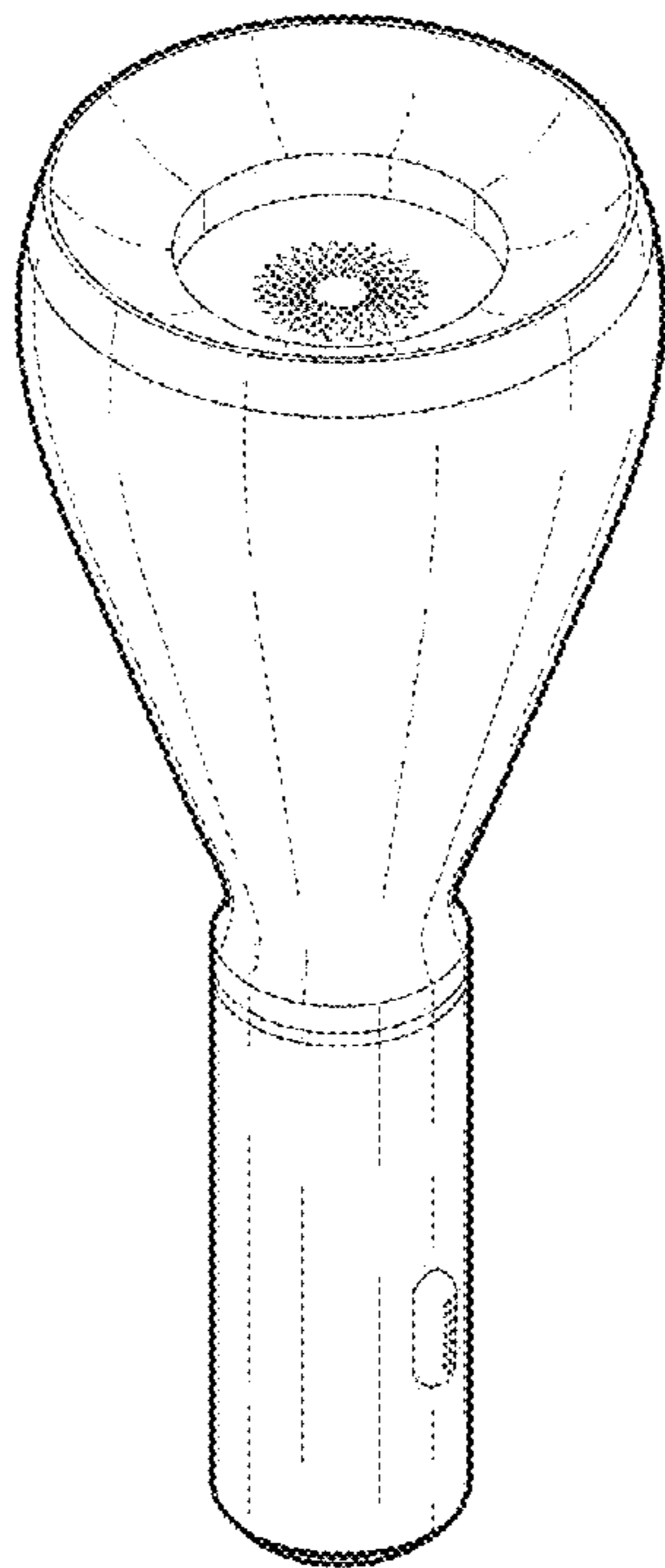
The ornamental design for an aroma diffuser, as shown and described.

DESCRIPTION

FIG. 1 is a front elevational view of an aroma diffuser showing my new design;
FIG. 2 is a rear elevational view thereof;
FIG. 3 is a left side view thereof;
FIG. 4 is a right side view thereof;
FIG. 5 is a top plan view thereof;
FIG. 6 is a bottom plan view thereof;
FIG. 7 is a top perspective view thereof; and,
FIG. 8 is a bottom perspective view thereof.
The broken lines in the drawings illustrate portions of the aroma diffuser which form no part of the claimed design.

(56) **References Cited**
U.S. PATENT DOCUMENTS
D532,892 S * 11/2006 Koon D23/366
D647,608 S * 10/2011 Young D23/366
D692,548 S * 10/2013 Wirz D23/366
D692,550 S * 10/2013 Wirz D23/366
8,750,694 B1 * 6/2014 Porretta B60H 3/0028
392/395
D710,984 S * 8/2014 Hsiao D23/366
D711,522 S * 8/2014 Hsiao D23/366

1 Claim, 8 Drawing Sheets



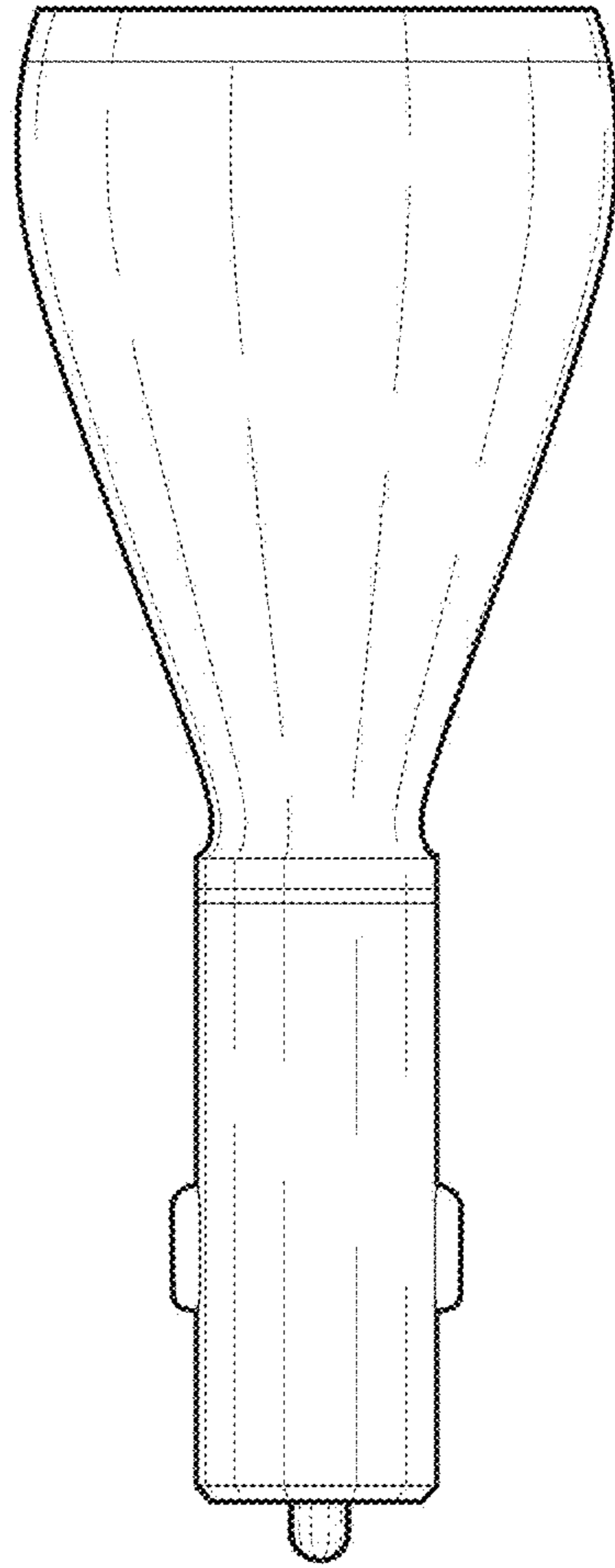


Fig. 1

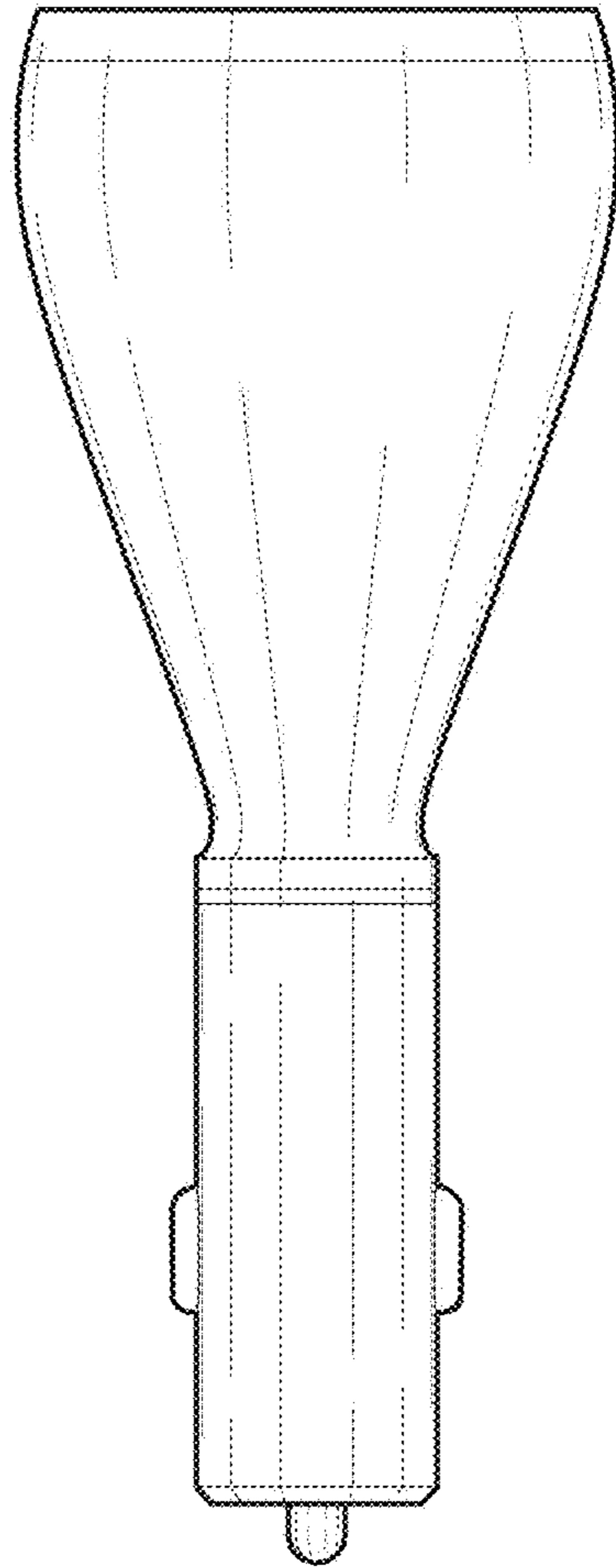


Fig. 2

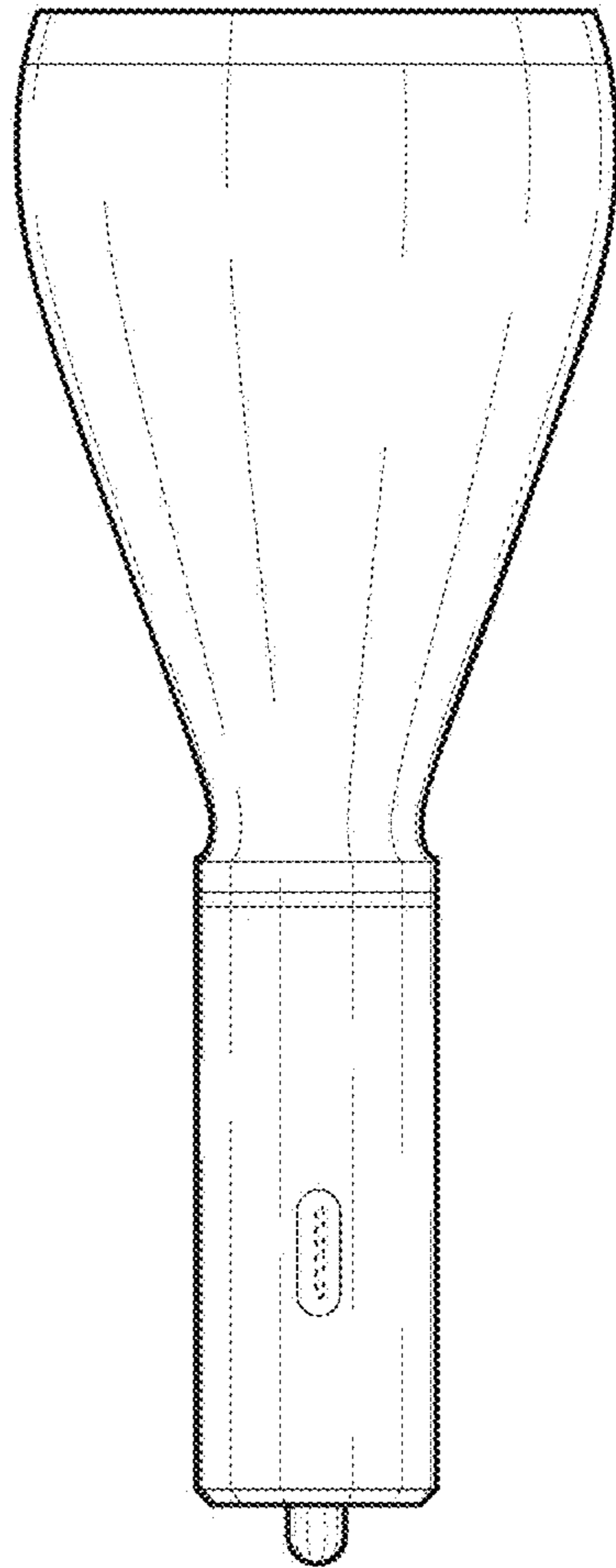


Fig. 3

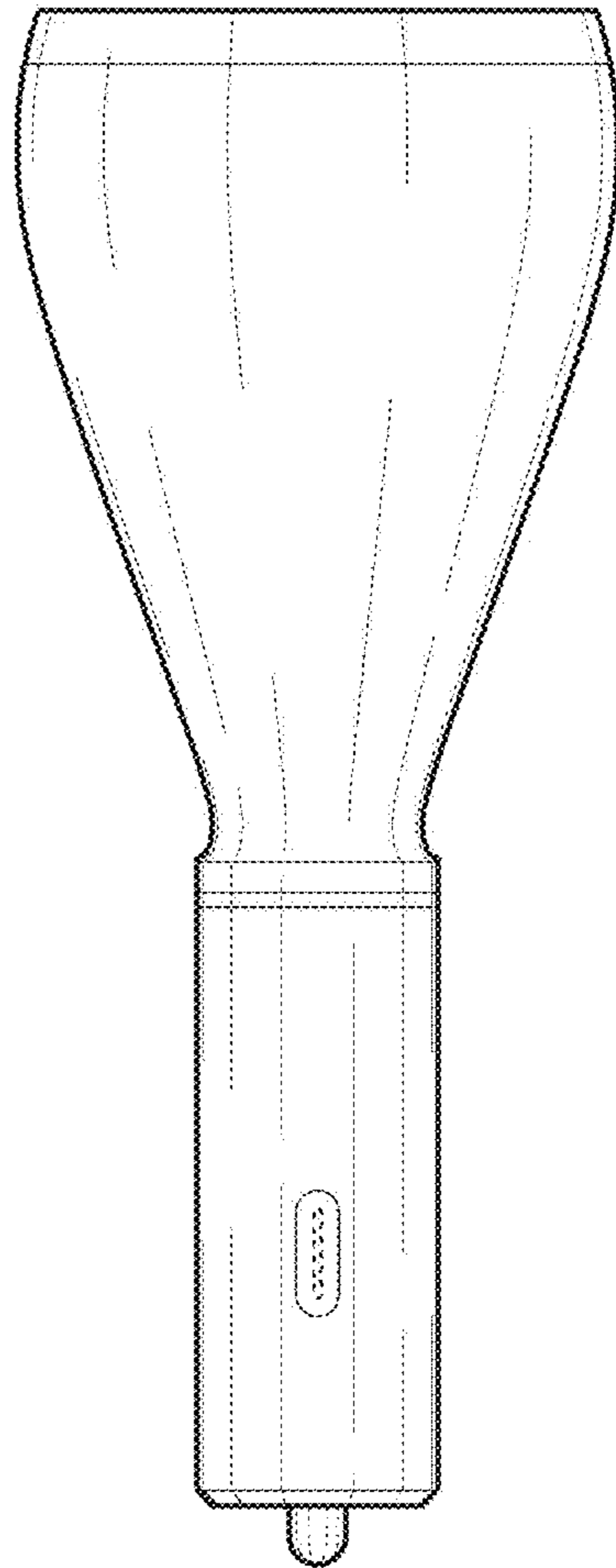


Fig. 4

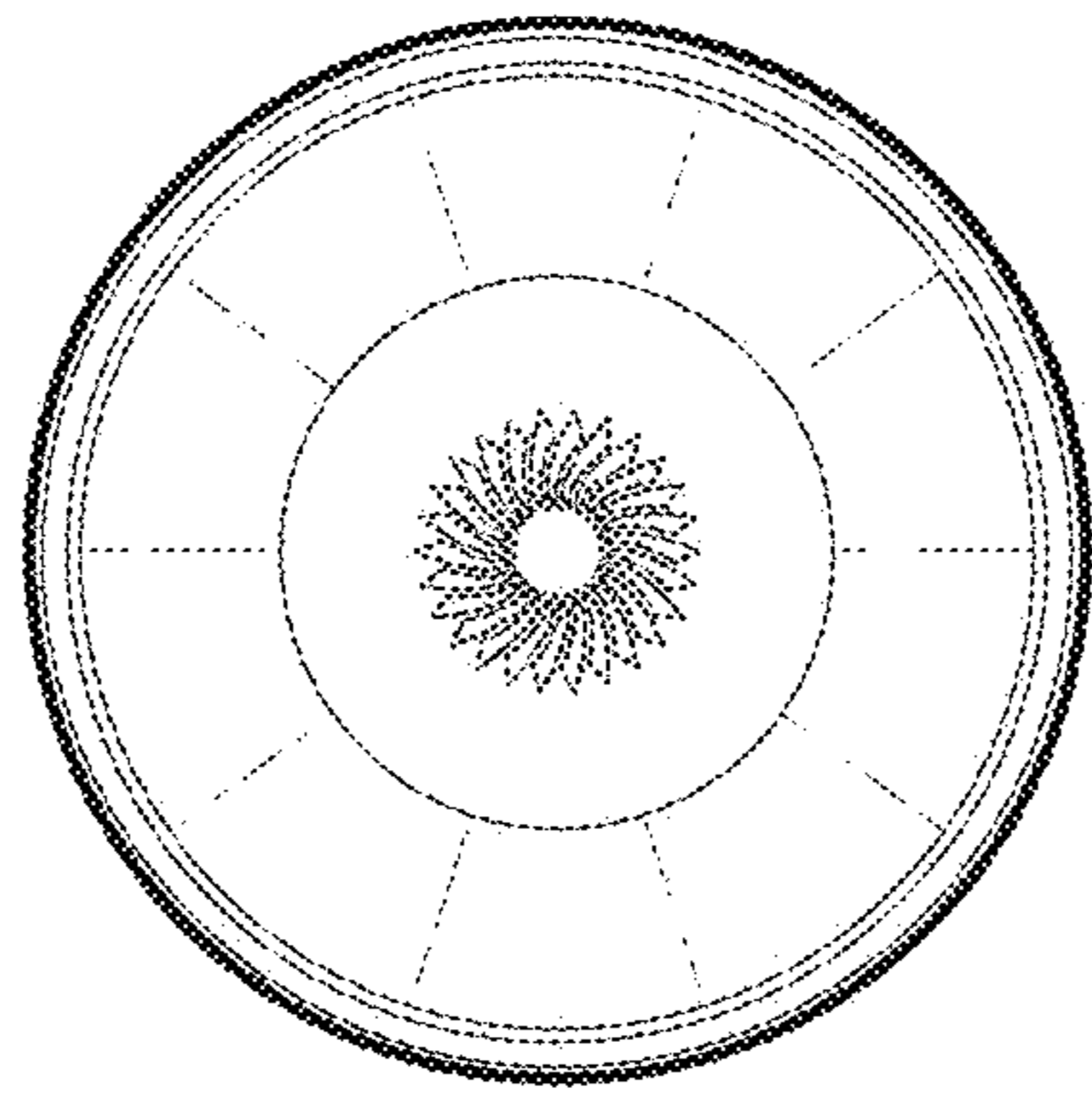


Fig. 5

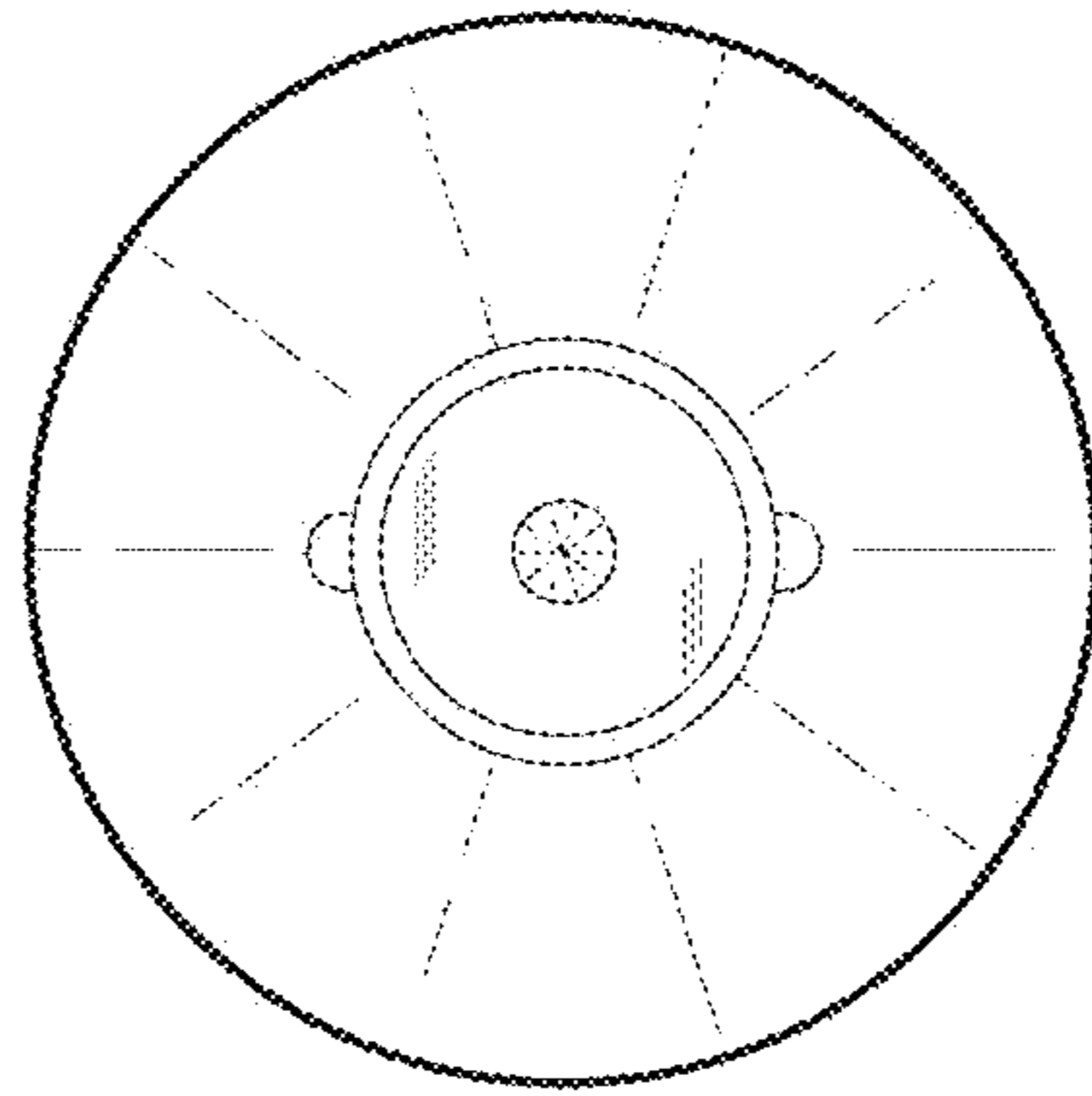


Fig. 6

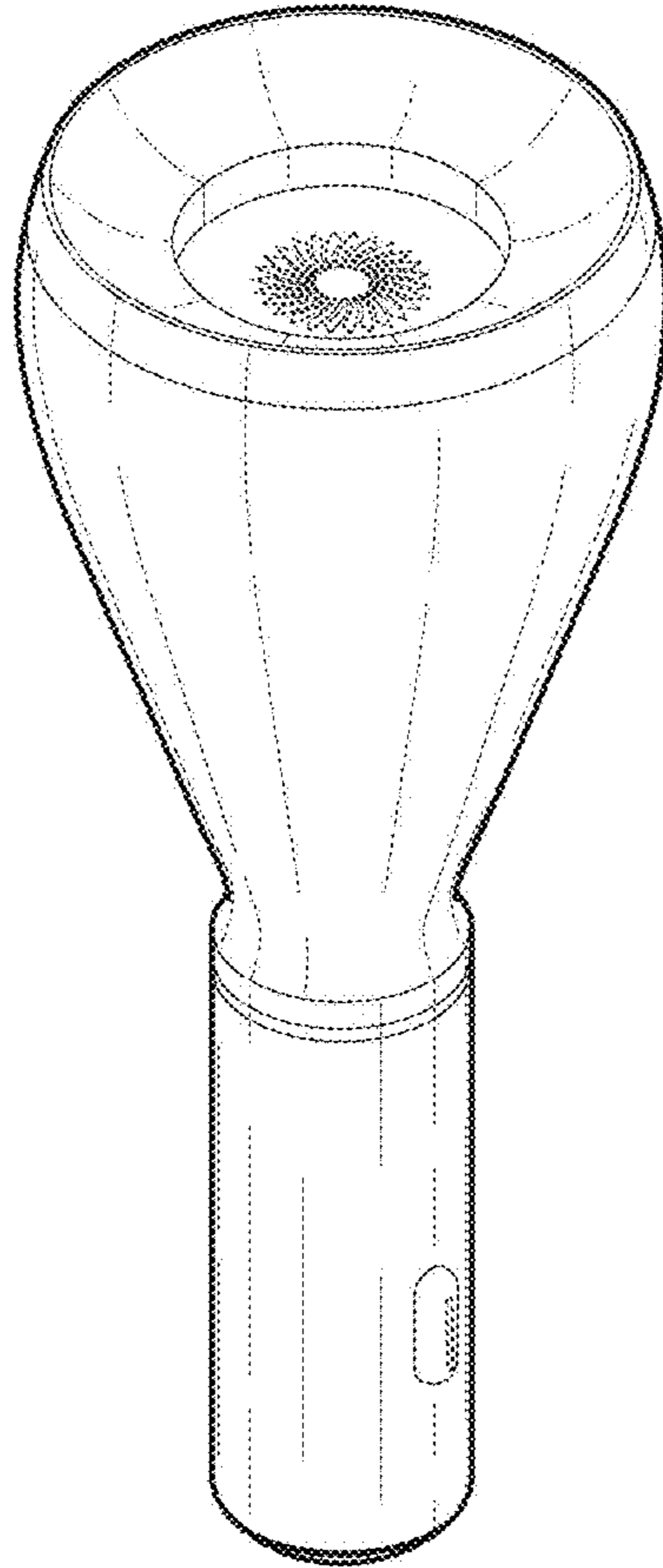


Fig. 7

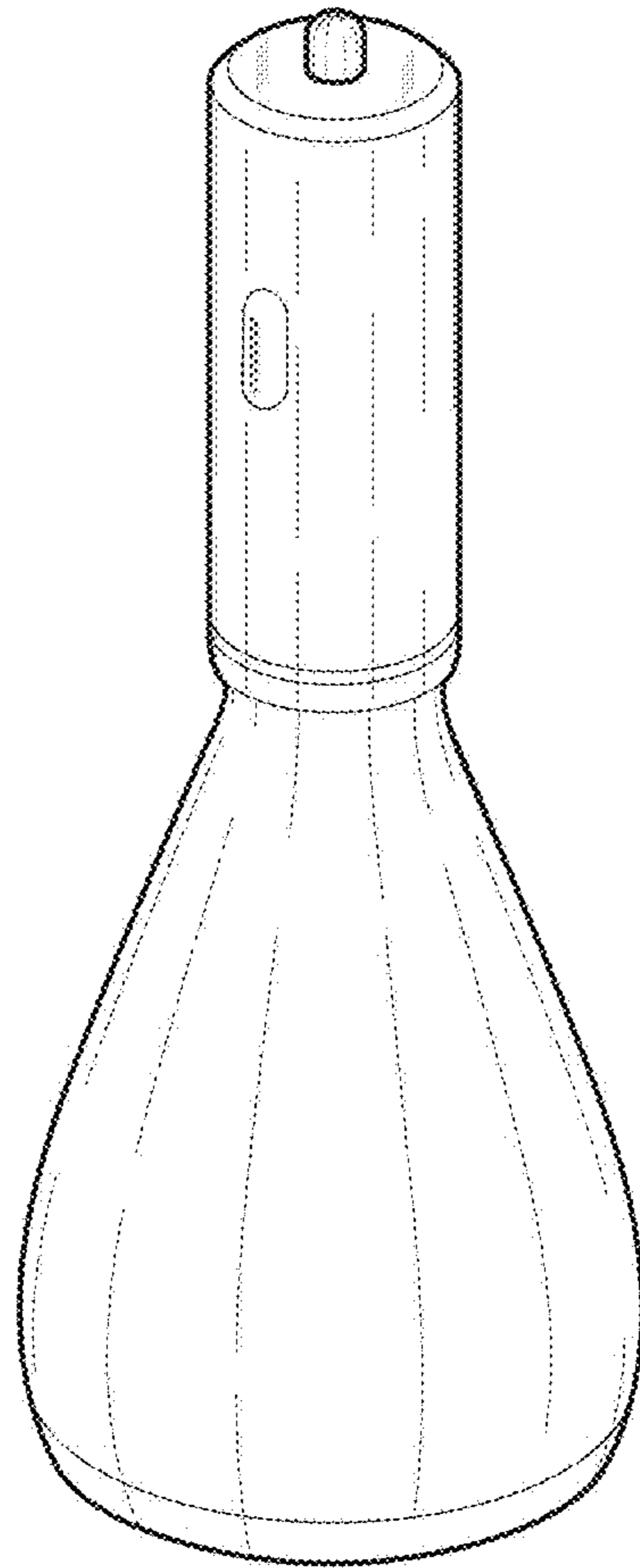


Fig. 8