



US00D872242S

(12) **United States Design Patent**
Bucher

(10) **Patent No.:** **US D872,242 S**
(45) **Date of Patent:** **** Jan. 7, 2020**

- (54) **BATHTUB**
- (71) Applicant: **AS IP Holdco, LLC**, Piscataway, NJ (US)
- (72) Inventor: **Christophe Bucher**, Hillsborough, NJ (US)
- (73) Assignee: **AS AMERICA, INC.**, Piscataway, NJ (US)
- (**) Term: **15 Years**
- (21) Appl. No.: **29/625,817**
- (22) Filed: **Nov. 13, 2017**
- (51) **LOC (12) Cl.** **23-02**
- (52) **U.S. Cl.**
USPC **D23/277**
- (58) **Field of Classification Search**
USPC ... D23/277-279, 280.1, 280.2, 280.3, 280.4, D23/304-307
CPC A47K 3/006; A47K 3/02; A47K 3/022; E05C 9/16
See application file for complete search history.

(56) **References Cited**

U.S. PATENT DOCUMENTS

505,041 A *	9/1893	Ferguson	A47K 3/02 4/584
D560,768 S *	1/2008	Smith	D23/280.1
D564,639 S *	3/2008	Bruce	D23/280.1
D633,602 S *	3/2011	Miura	D23/280.1
D633,603 S *	3/2011	Su	D23/280.1
D633,604 S *	3/2011	Hoh	D23/280.1
D638,524 S *	5/2011	Thomas	D23/280.1
D725,754 S *	3/2015	Spangler	D23/277
D728,760 S *	5/2015	Spangler	D23/277
D834,157 S *	11/2018	L'Henaff	D23/277

OTHER PUBLICATIONS

Lush Free Standing Bathtub (VA1045); http://www.valleyacrylic.com/store/index.php?route=product/product&product_id=619&search=lush&description=true, downloaded Oct. 5, 2017.

OMSA Professional Acrylic Bathtub Manufacturer; <http://en.chinaomsa.com/product.asp>, downloaded Oct. 5, 2017.
Fleurco Sonnet Acrylic bathtub; http://designashower.com/uploads/tub/spec_pdf/30/Sonnet_BSO6039_Gen_Specs.pdf, downloaded Oct. 5, 2017.
Victoria + Albert Eldon bathtub; <https://vandabaths.com/us/americas/product/eldon/>, downloaded Oct. 5, 2017.

* cited by examiner

Primary Examiner — Lakiya G Rogers
Assistant Examiner — John A Voytek
(74) *Attorney, Agent, or Firm* — Morgan, Lewis & Bockius LLP

(57) **CLAIM**

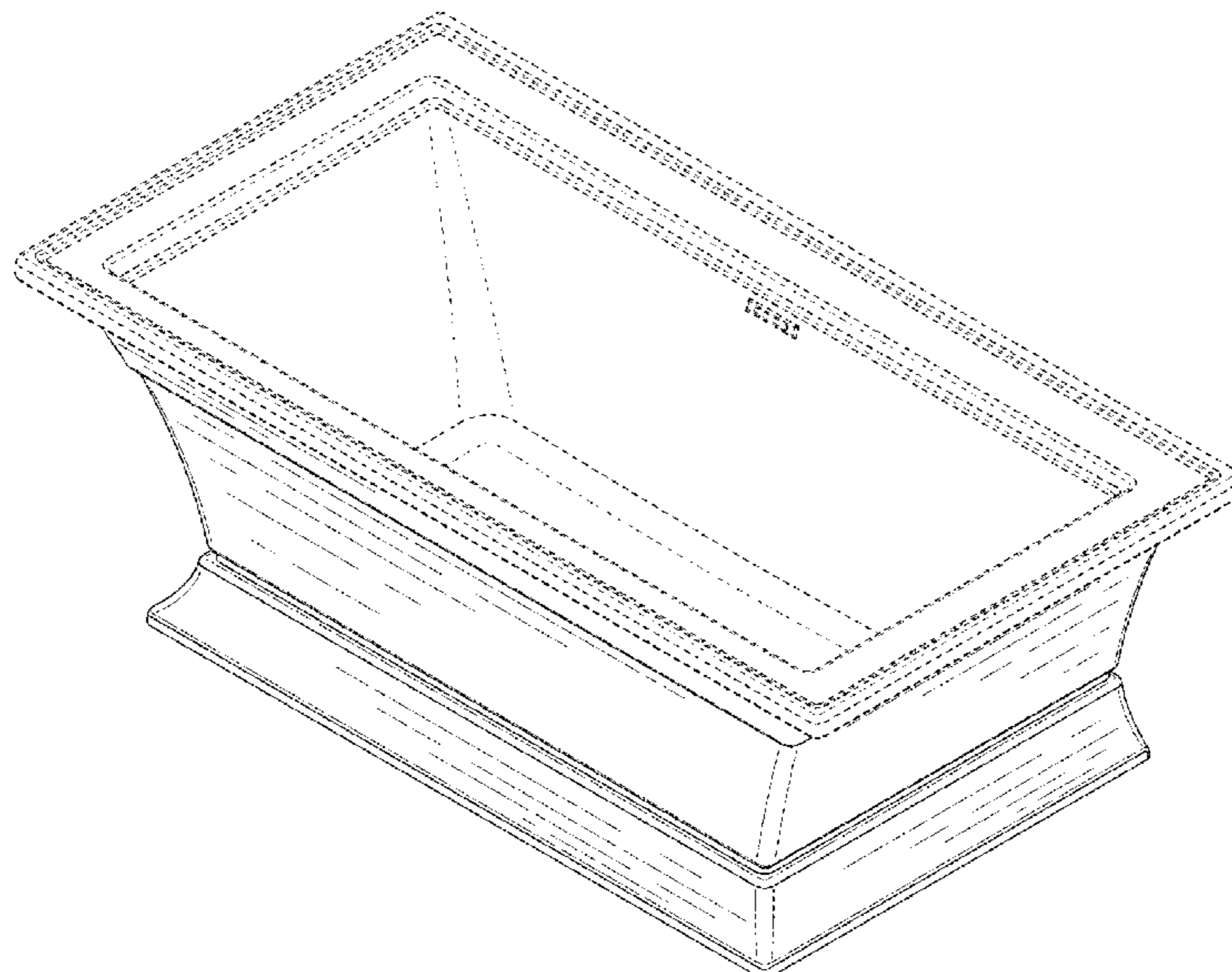
The ornamental design for a bathtub, as shown and described.

DESCRIPTION

FIG. 1 is a perspective view of a bathtub showing my new design;
FIG. 2 is a front elevational view of the bathtub shown in FIG. 1;
FIG. 3 is a rear elevational view of the bathtub shown in FIG. 1;
FIG. 4 is a left-side elevational view of the bathtub shown in FIG. 1;
FIG. 5 is a right-side elevational view of the bathtub shown in FIG. 1;
FIG. 6 is a top plan view of the bathtub shown in FIG. 1; and,
FIG. 7 is a bottom plan view of the bathtub shown in FIG. 1.

The broken lines immediately adjacent the shaded areas represent the bounds of the claimed design, while all other broken lines depict portions of the article that form no part of the claimed design.

1 Claim, 4 Drawing Sheets



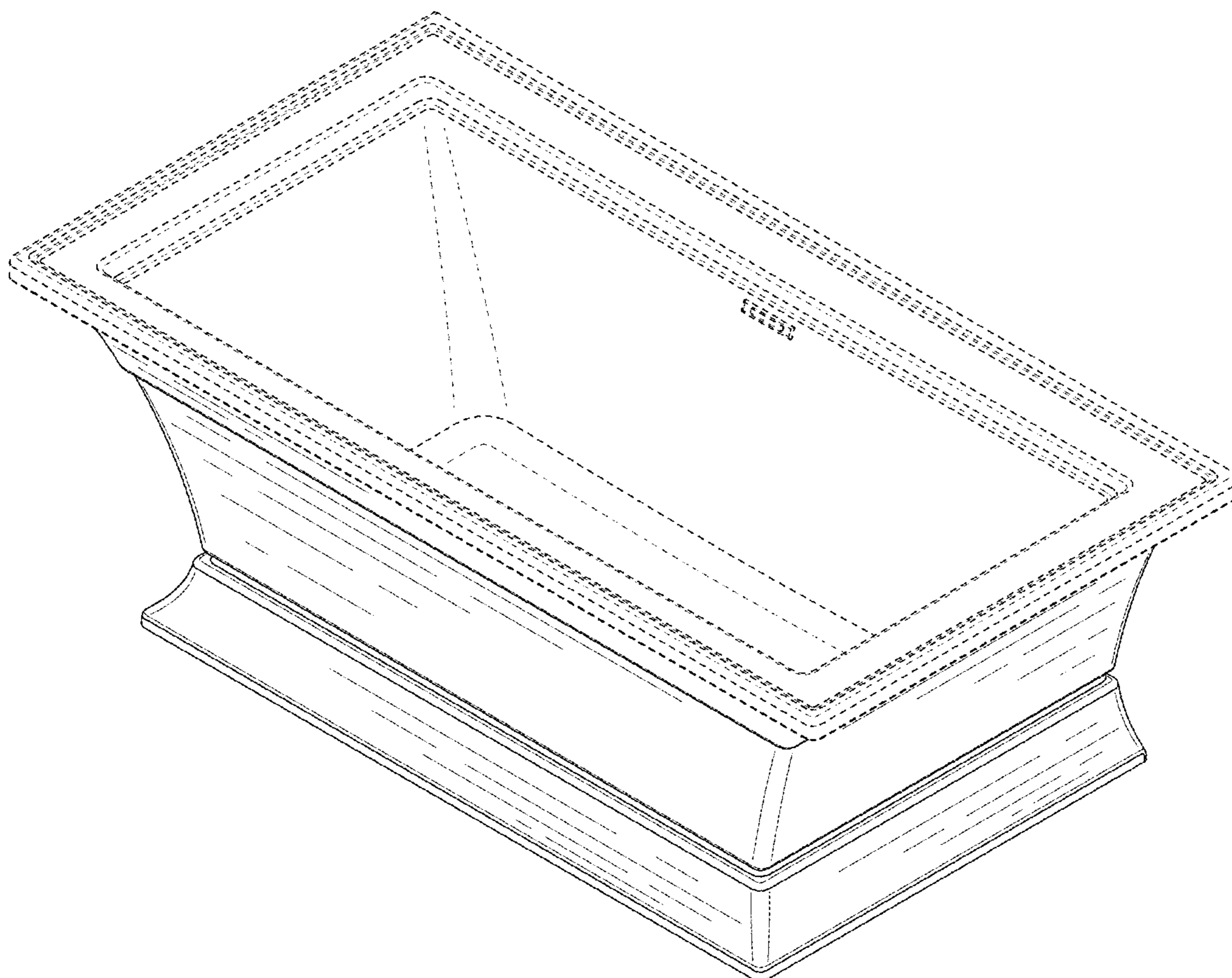


FIG. 1

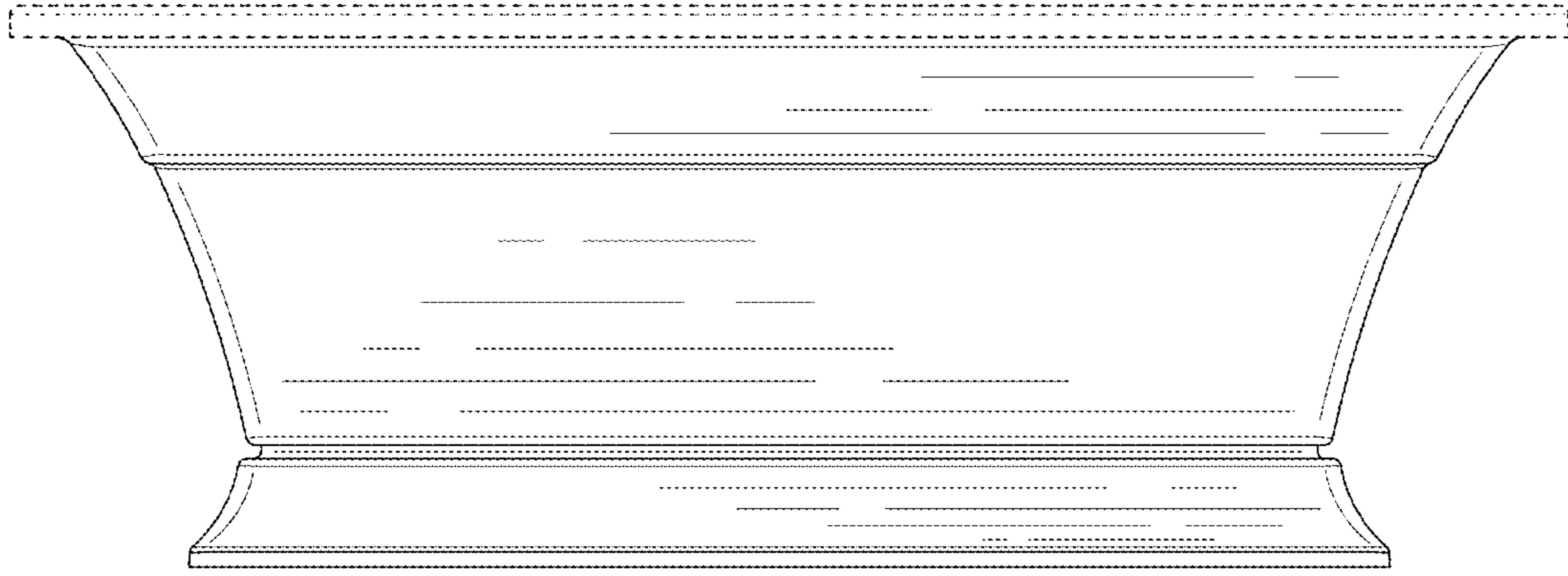


FIG. 2

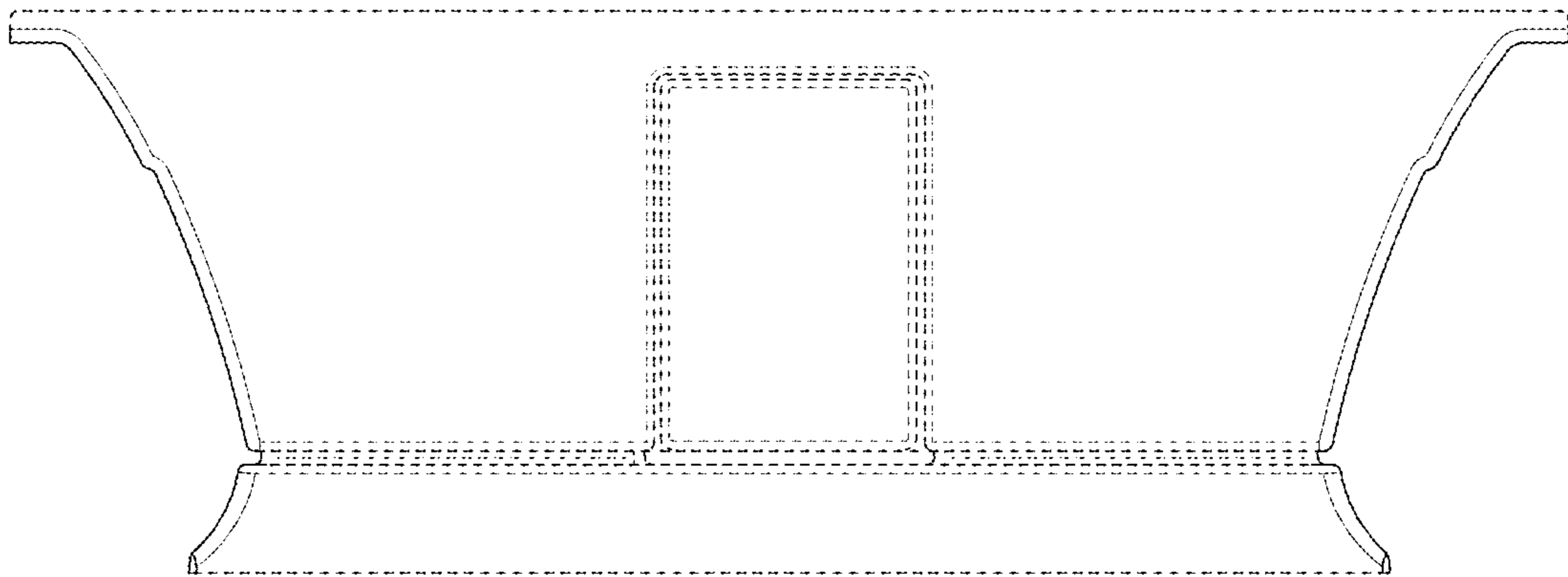


FIG. 3

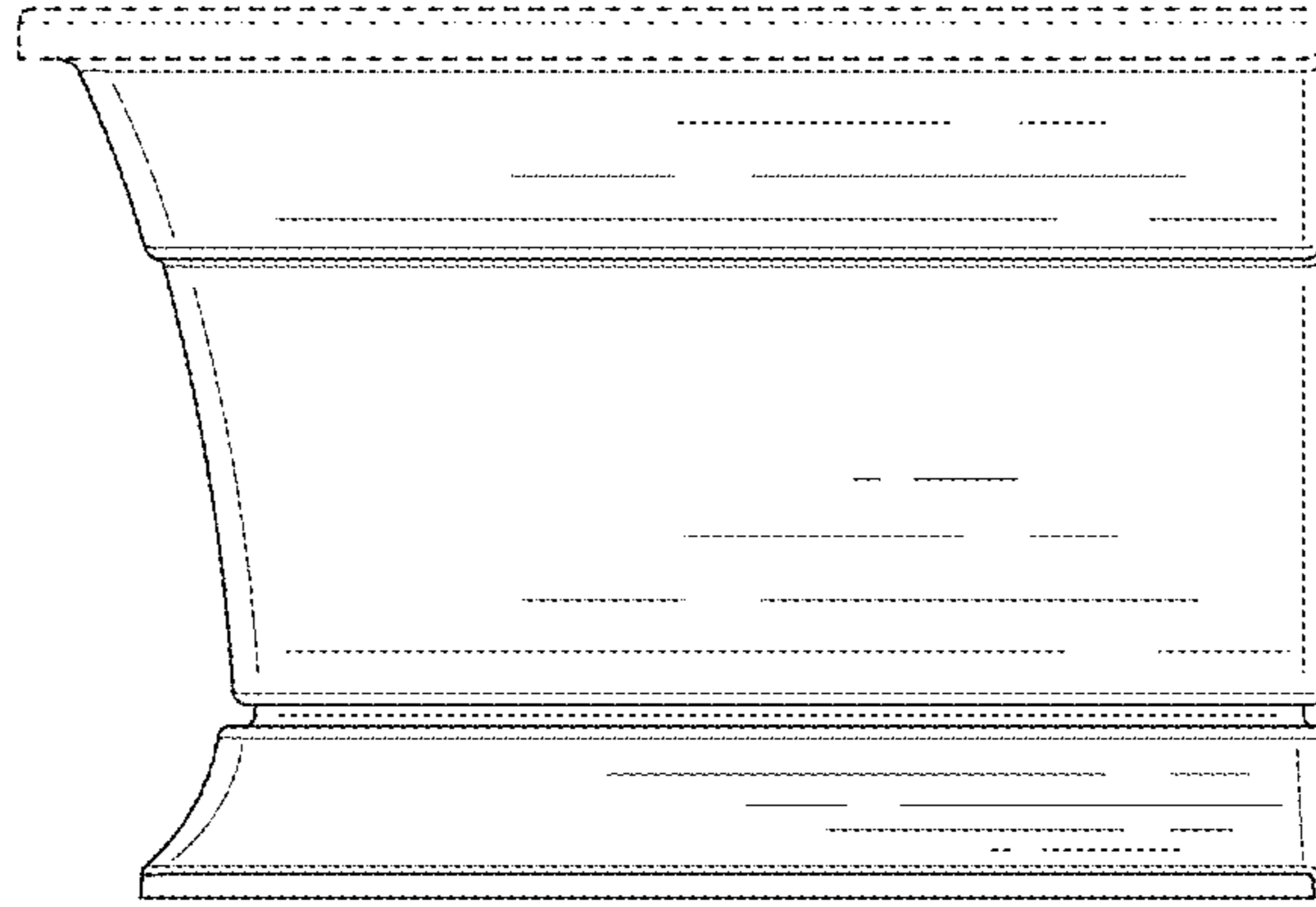


FIG. 4

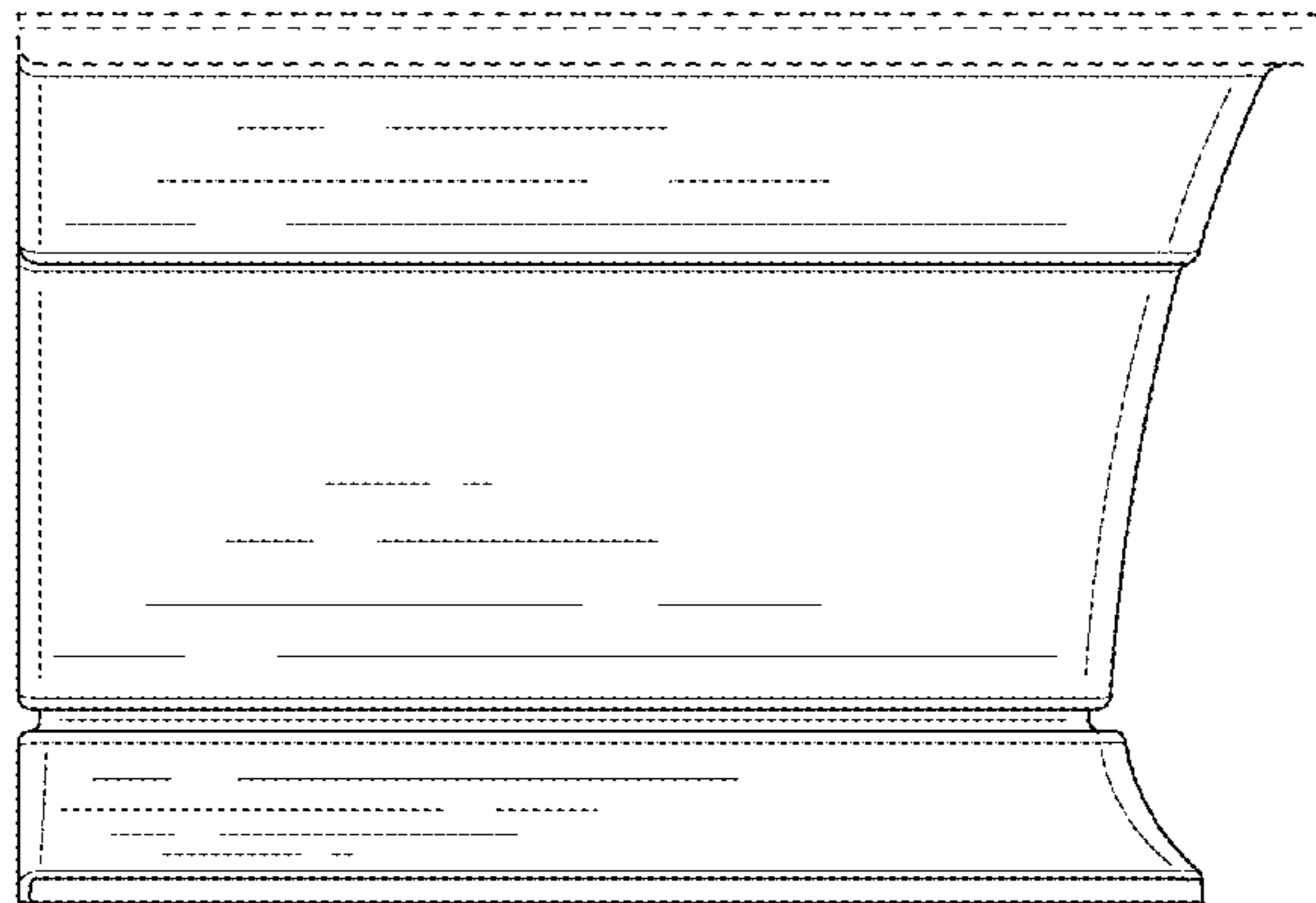


FIG. 5

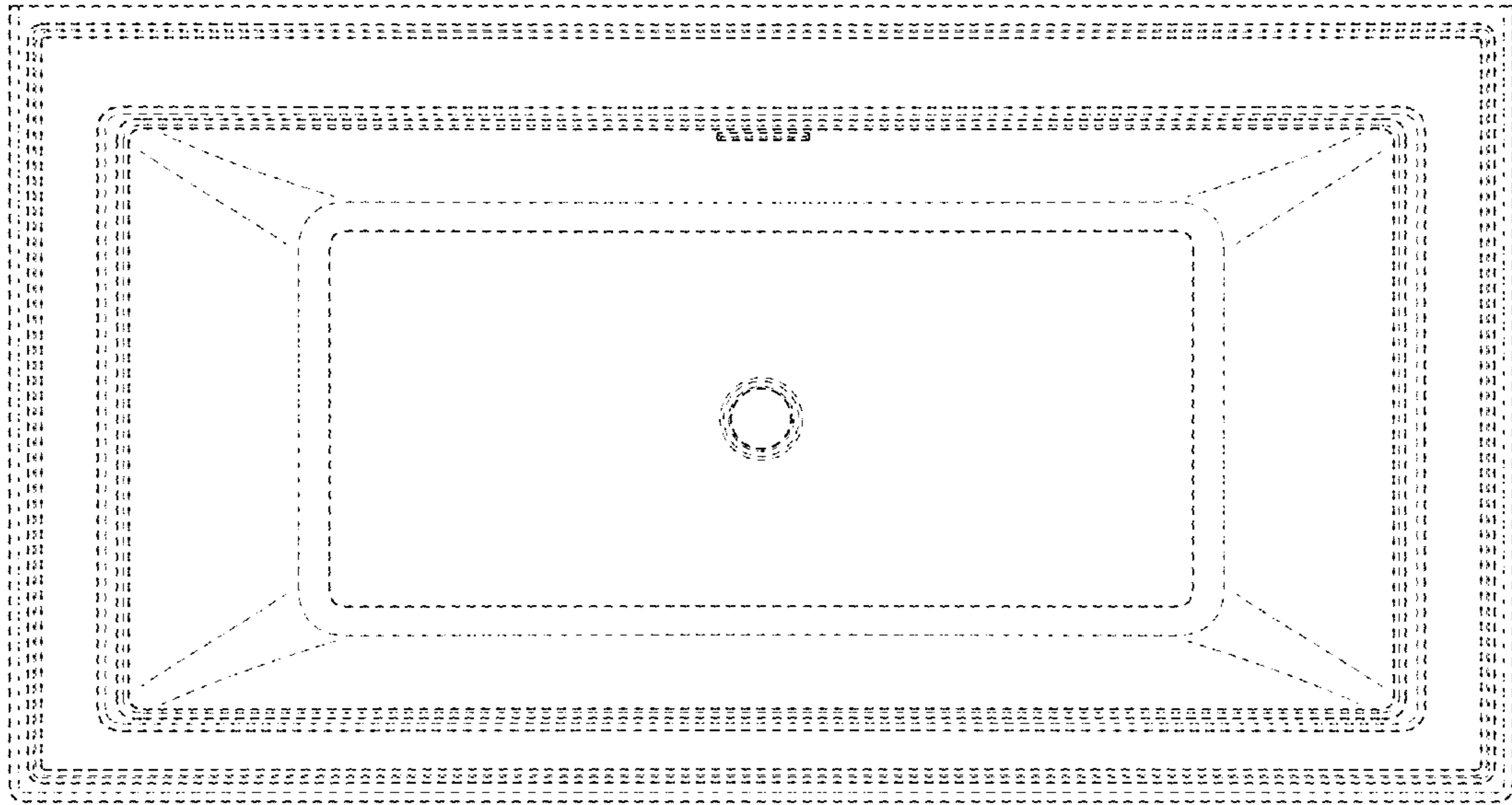


FIG. 6

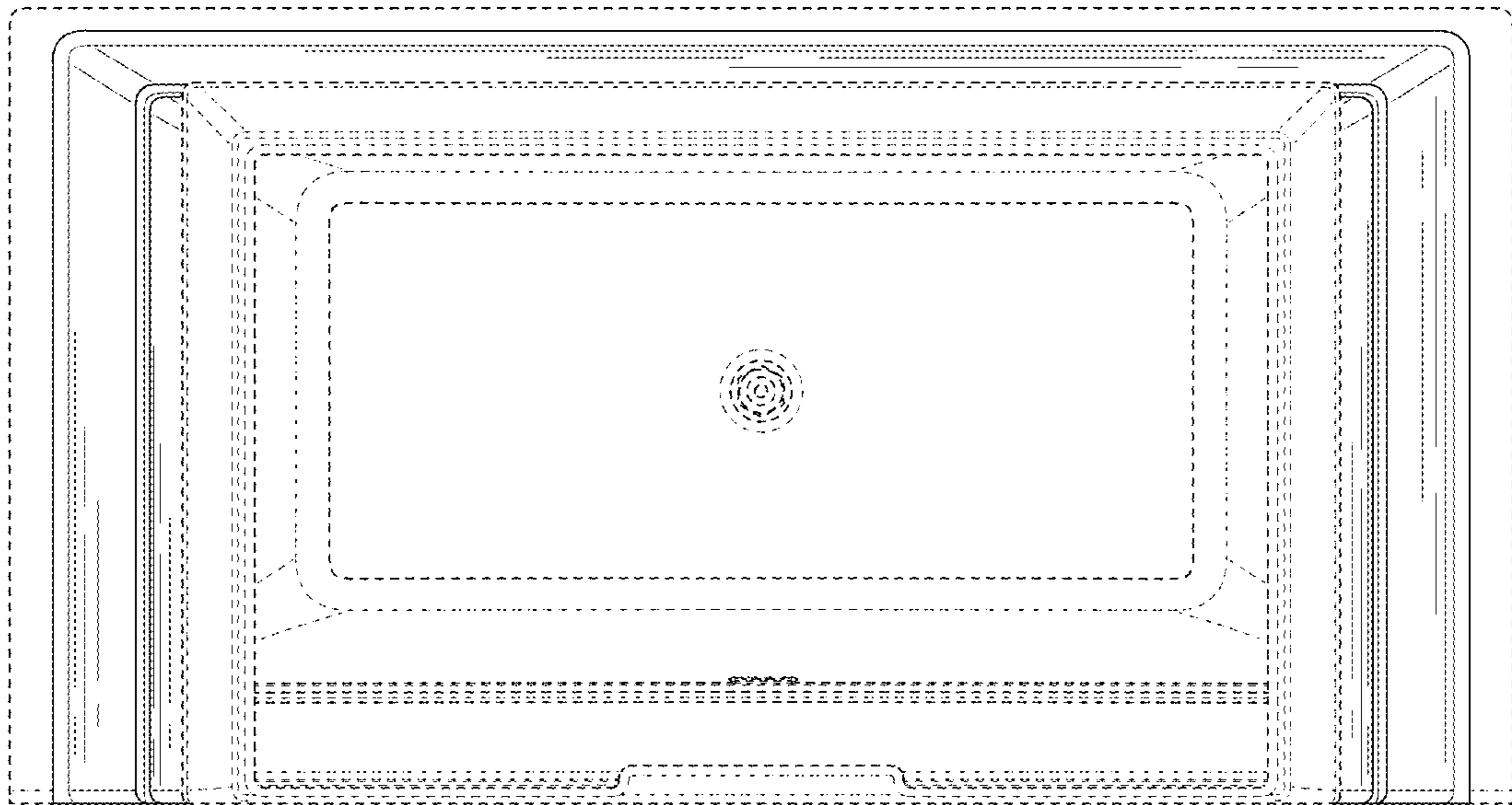


FIG. 7