



US00D872237S

(12) **United States Design Patent**
Tyner

(10) **Patent No.:** **US D872,237 S**

(45) **Date of Patent:** **** Jan. 7, 2020**

(54) **FAUCET HANDLE ADAPTER**

(71) Applicant: **Jimmy Brooks Tyner**, Camarillo, CA
(US)

(72) Inventor: **Jimmy Brooks Tyner**, Camarillo, CA
(US)

(**) Term: **15 Years**

(21) Appl. No.: **29/660,988**

(22) Filed: **Aug. 23, 2018**

(51) **LOC (12) Cl.** **23-01**

(52) **U.S. Cl.**
USPC **D23/250**

(58) **Field of Classification Search**

USPC D23/233-253, 254-255, 257, 223, 226,
D23/229; 137/315.15, 15.18, 625.46,
137/239, 385; D8/28, 300, 307, 310,
D8/303, 321; 251/118, 109, 288
CPC F16K 31/602; F16K 31/60; F16K 35/10;
F16K 31/605; F16K 19/006; E03C
1/0412; E03C 1/0403; E03C 2001/026
See application file for complete search history.

(56) **References Cited**

U.S. PATENT DOCUMENTS

D432,633 S * 10/2000 Higgins D23/250
D432,634 S * 10/2000 Higgins D23/250

D462,111 S * 8/2002 Turnau, III D23/252
D626,631 S * 11/2010 Romero D23/249
D628,679 S * 12/2010 Holmgren D23/252
D687,131 S * 7/2013 Capalbo D23/253

* cited by examiner

Primary Examiner — Gino Colan

(74) *Attorney, Agent, or Firm* — Ralph D Chabot

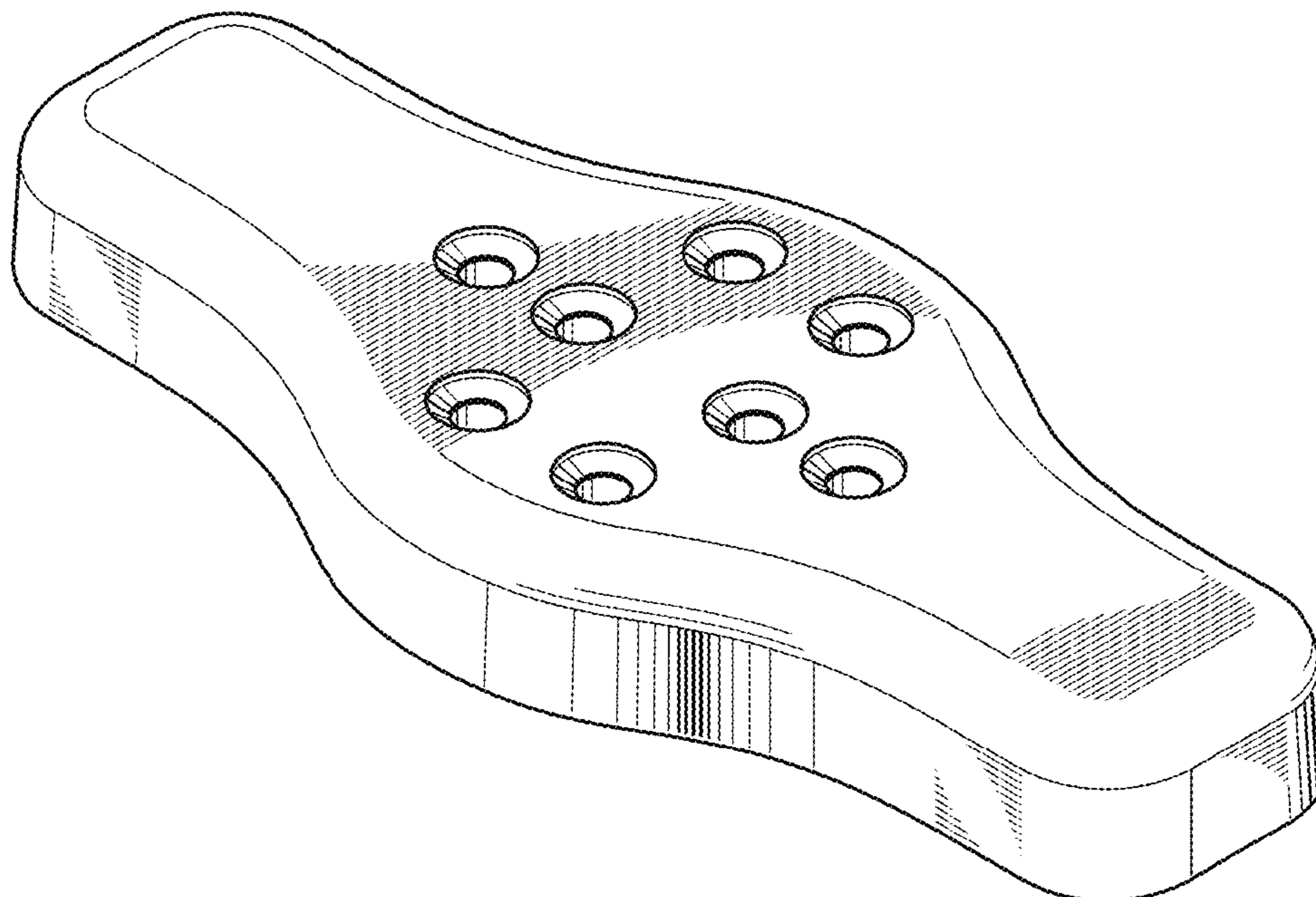
(57) **CLAIM**

The ornamental design for a faucet handle adapter, as shown and described.

DESCRIPTION

FIG. 1 is a top, front, right side perspective view of a faucet handle adapter showing my new design;
FIG. 2 is a bottom, rear left side perspective view thereof;
FIG. 3 is a front elevation view, the rear elevation view being a mirror image thereof;
FIG. 4 is a left side elevation view thereof with the right side elevation view being a mirror image;
FIG. 5 is a top plan view thereof; and,
FIG. 6 is a bottom plan view thereof.

1 Claim, 2 Drawing Sheets



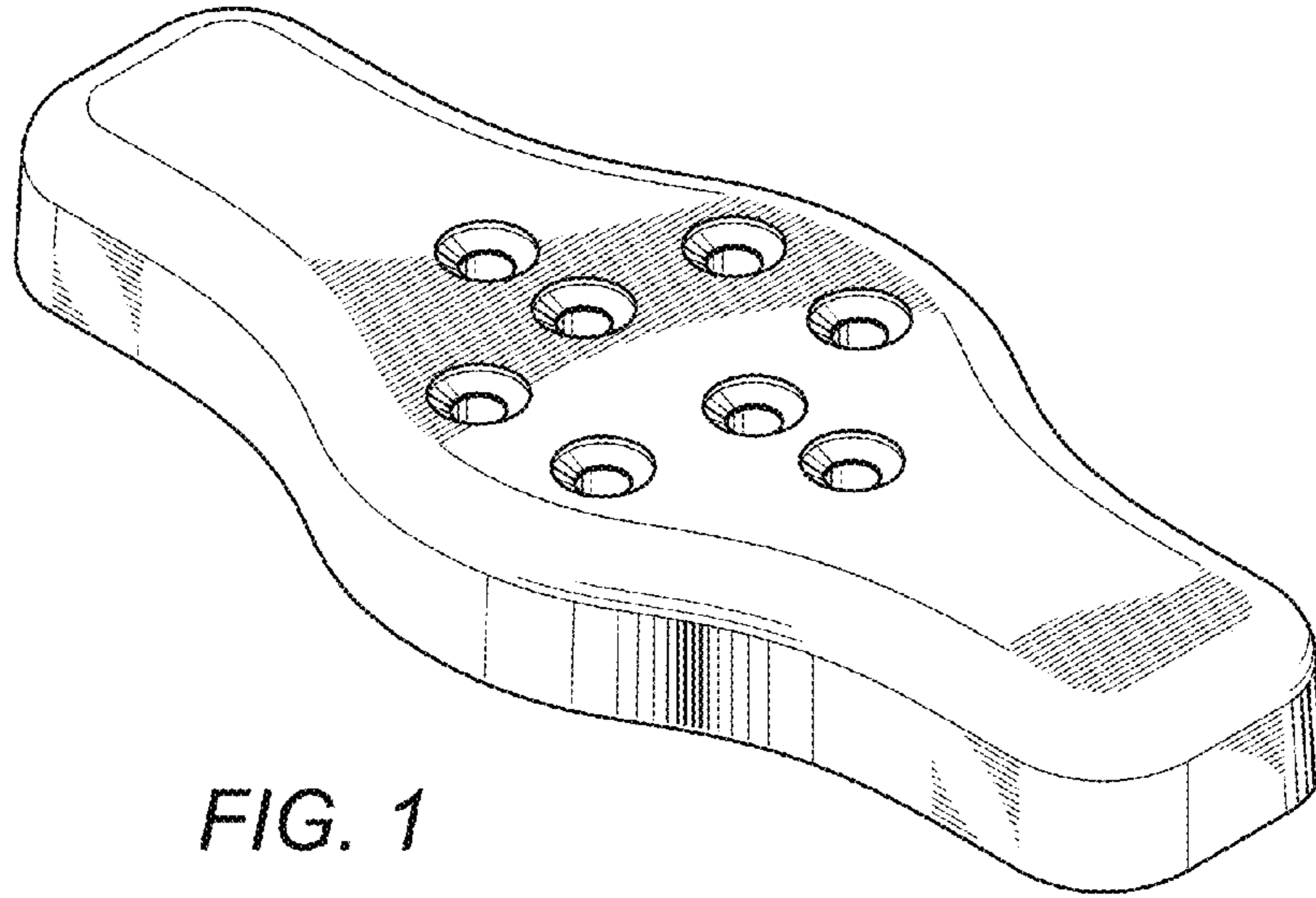


FIG. 1

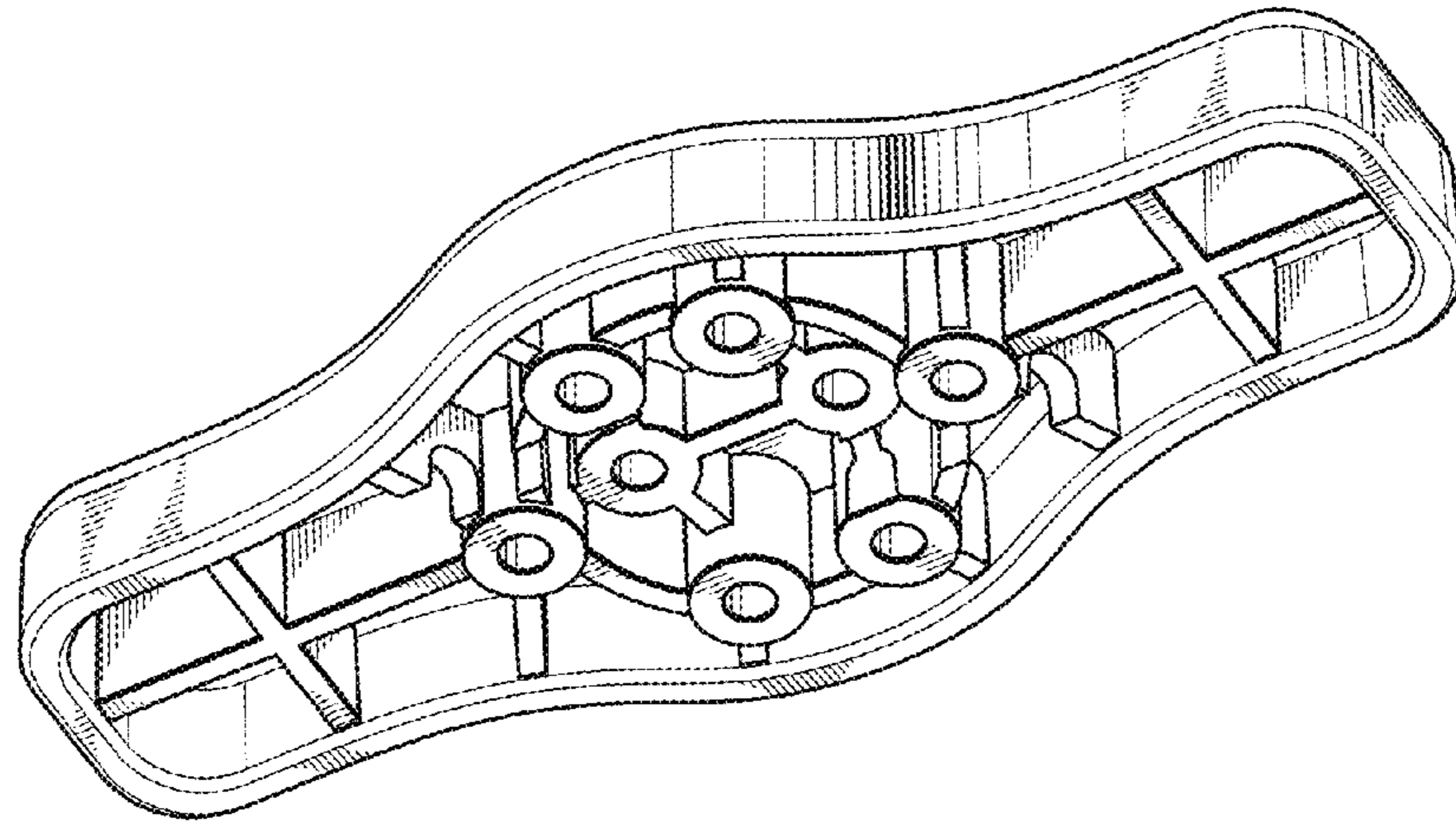


FIG. 2

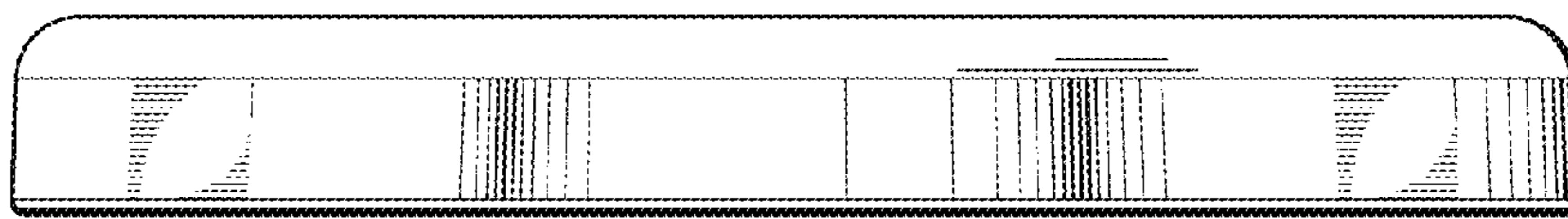


FIG. 3

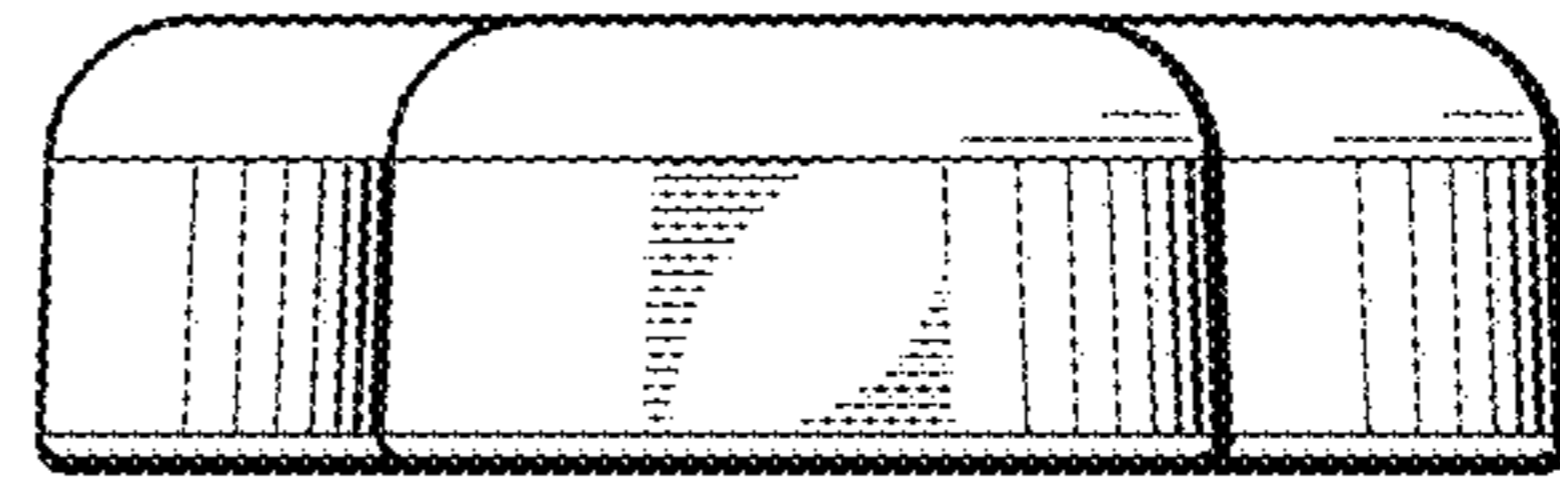


FIG. 4

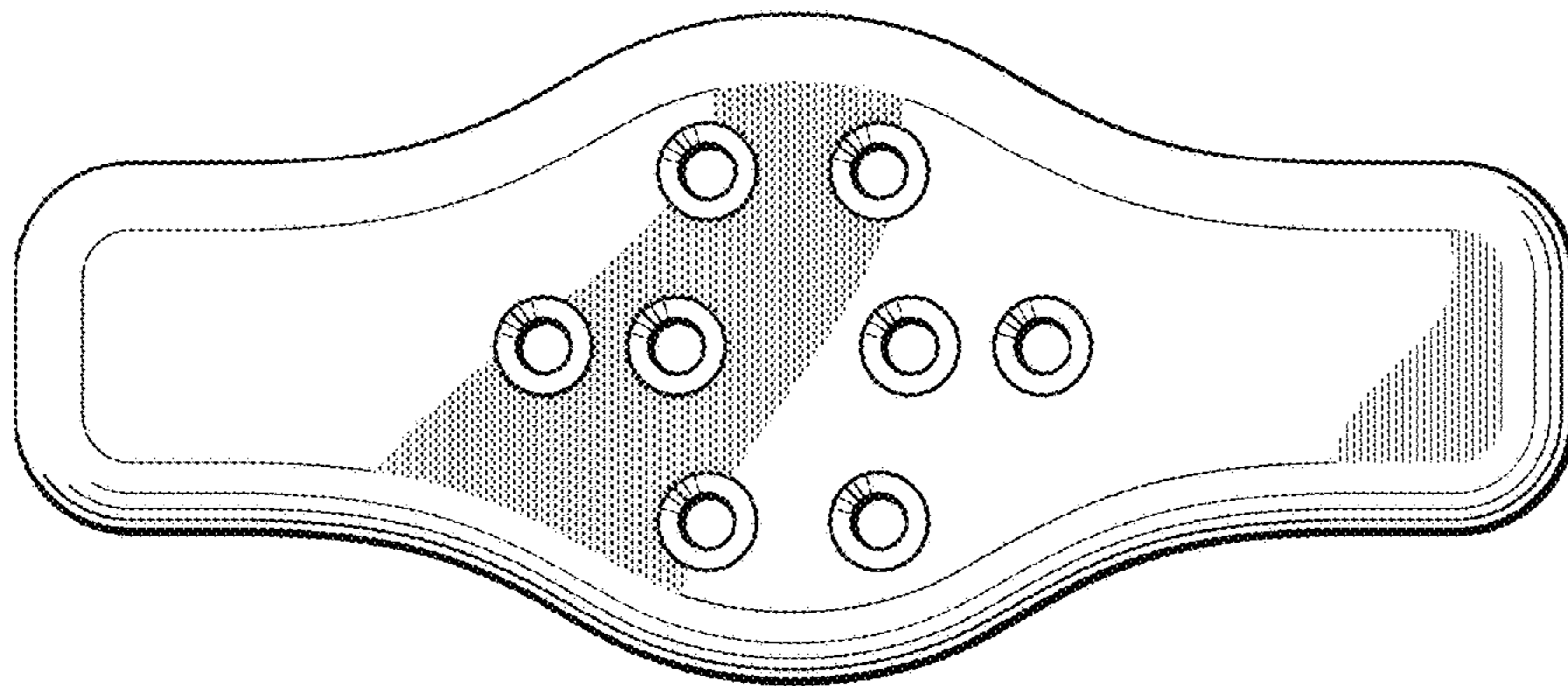


FIG. 5

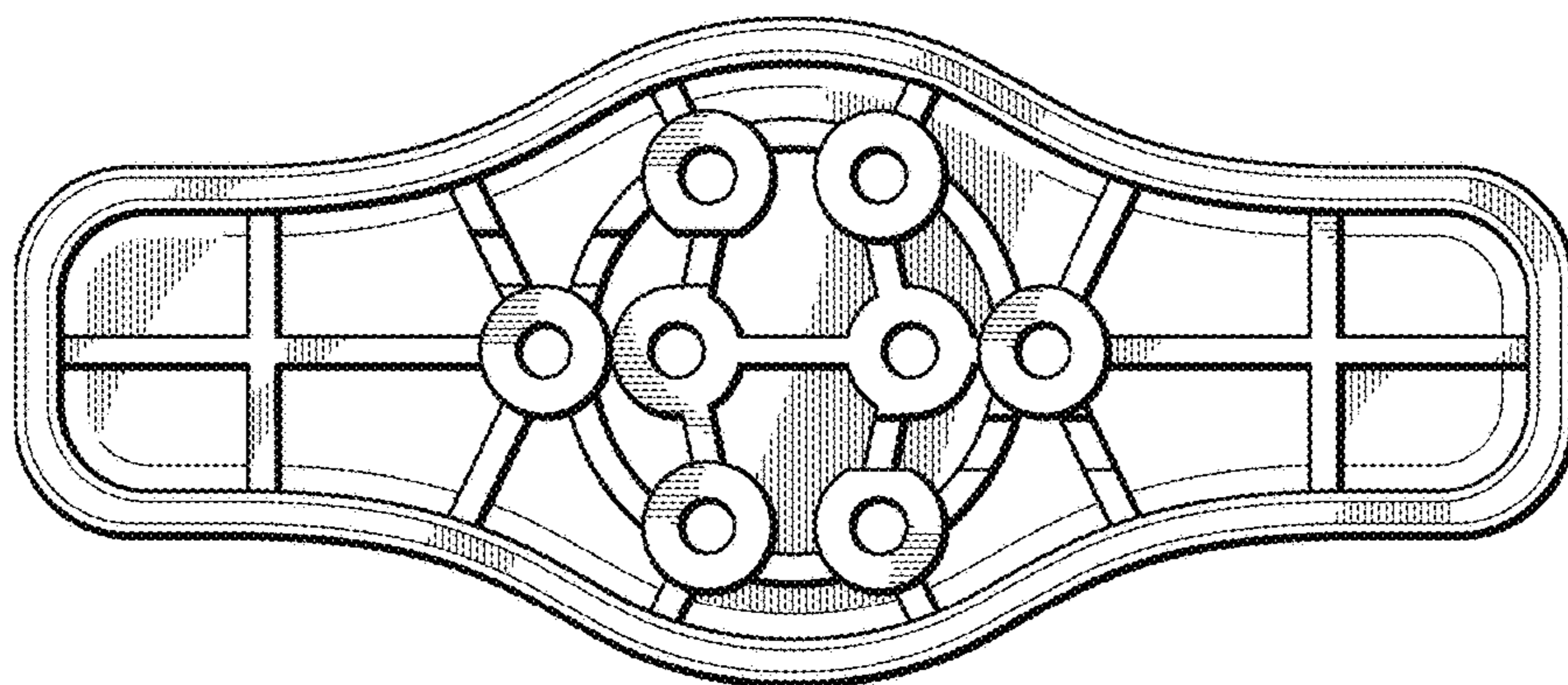


FIG. 6