



US00D872235S

(12) **United States Design Patent**
Garland

(10) **Patent No.:** **US D872,235 S**

(45) **Date of Patent:** **** Jan. 7, 2020**

(54) **FAUCET**

(71) Applicant: **DELTA FAUCET COMPANY,**
Indianapolis, IN (US)

(72) Inventor: **Celine Kwok Garland,** Zionsville, IN
(US)

(73) Assignee: **DELTA FAUCET COMPANY,**
Indianapolis, IN (US)

(**) Term: **15 Years**

(21) Appl. No.: **29/638,503**

(22) Filed: **Feb. 27, 2018**

(51) **LOC (12) Cl.** **23-01**

(52) **U.S. Cl.**
USPC **D23/238**

(58) **Field of Classification Search**
USPC D23/238, 241–243, 255, 257, 213, 226,
D23/252, 254, 245; D8/307–308
CPC F16K 31/60; F16K 31/602; F16K 31/605;
F16K 31/607; E03C 1/0405; E03C
2001/0415; E03C 1/0412; E03C 1/0409
See application file for complete search history.

(56) **References Cited**

U.S. PATENT DOCUMENTS

D438,602 S * 3/2001 Milrud D23/255
D511,560 S * 11/2005 Kulig D23/238

D513,788 S * 1/2006 Lindholm D23/238
D515,180 S * 2/2006 Ouyoung D23/239
D518,558 S * 4/2006 Soriano D23/255
D521,109 S * 5/2006 Lord D23/238
D574,469 S * 8/2008 Soriano D23/255
D582,522 S * 12/2008 Hanna D23/250
D591,834 S * 5/2009 Williams D23/252
7,909,269 B2 * 3/2011 Erickson E03C 1/0404
137/801
D705,398 S * 5/2014 Flowers D23/238
D754,301 S * 4/2016 Bahler D23/255
D828,508 S * 9/2018 Fritz D23/238

* cited by examiner

Primary Examiner — Robert A Delehanty

(74) *Attorney, Agent, or Firm* — Edgar A. Zarins; Nirav
D. Parikh

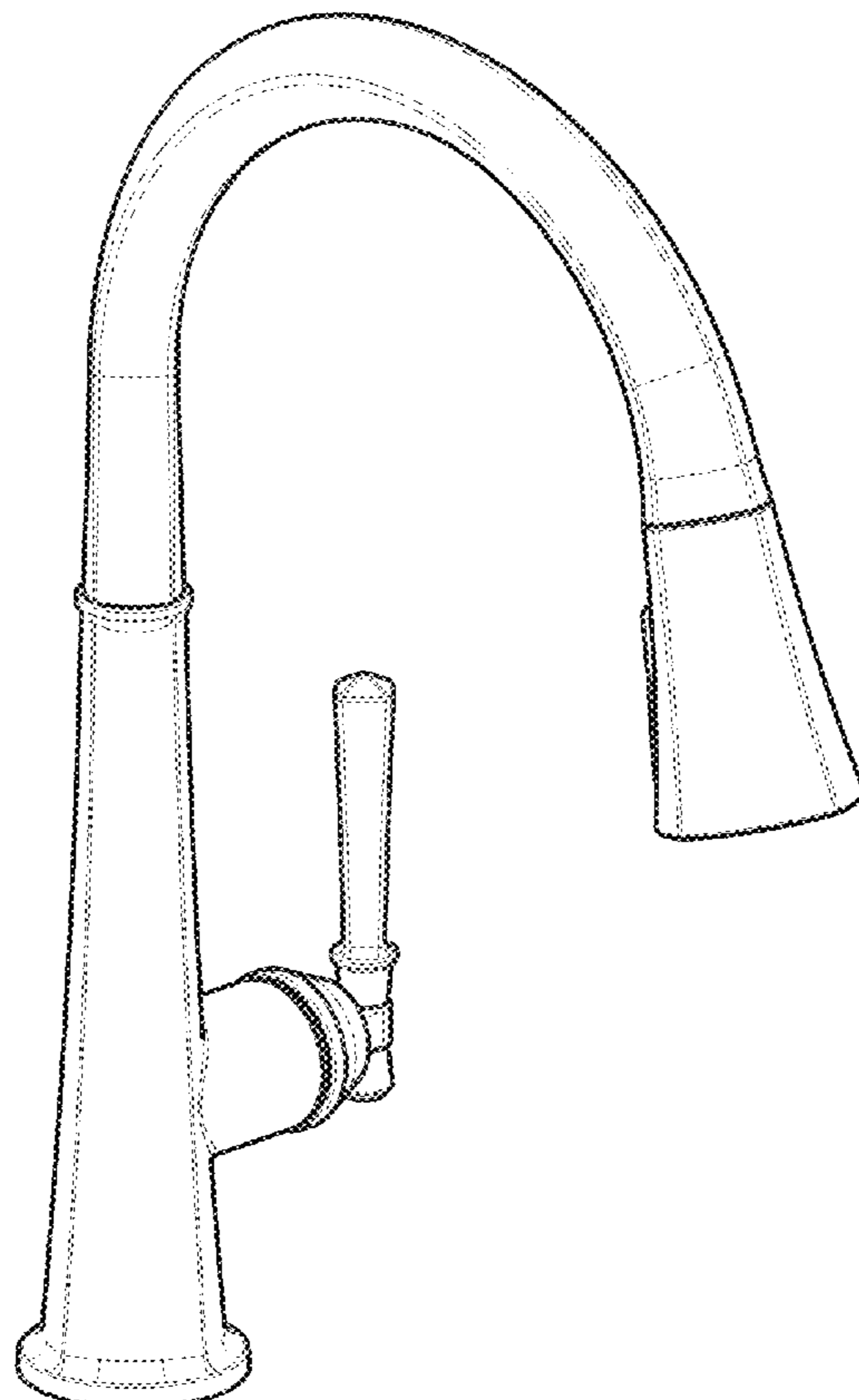
(57) **CLAIM**

The ornamental design for a faucet, as shown and described.

DESCRIPTION

FIG. 1 is a first perspective view of a faucet showing my new design;
FIG. 2 is a second perspective view thereof;
FIG. 3 is a front elevational view thereof;
FIG. 4 is a left side view thereof;
FIG. 5 is a rear view thereof;
FIG. 6 is a right side view thereof; and,
FIG. 7 is a top plan view thereof.

1 Claim, 4 Drawing Sheets



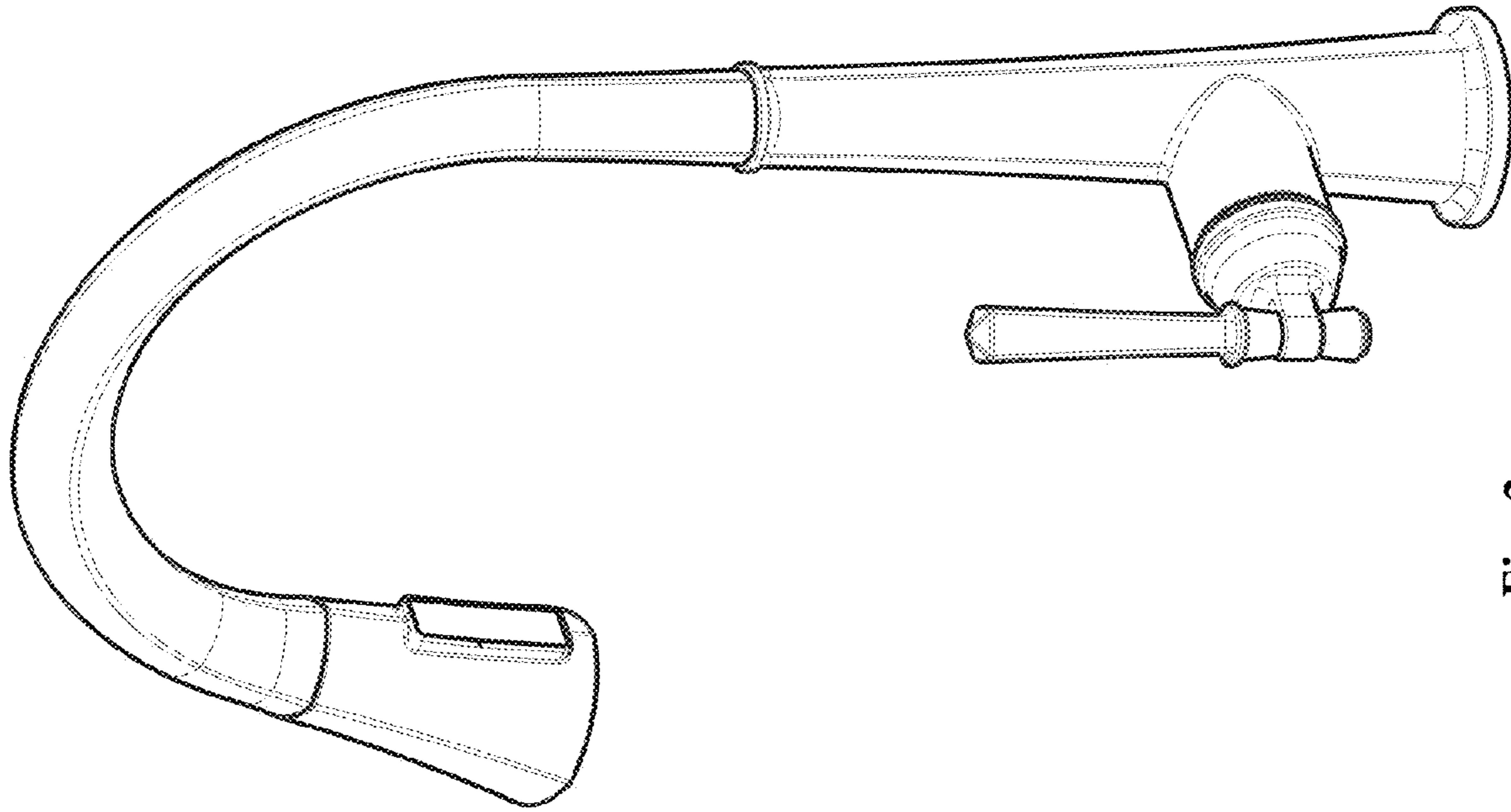


Fig. 2

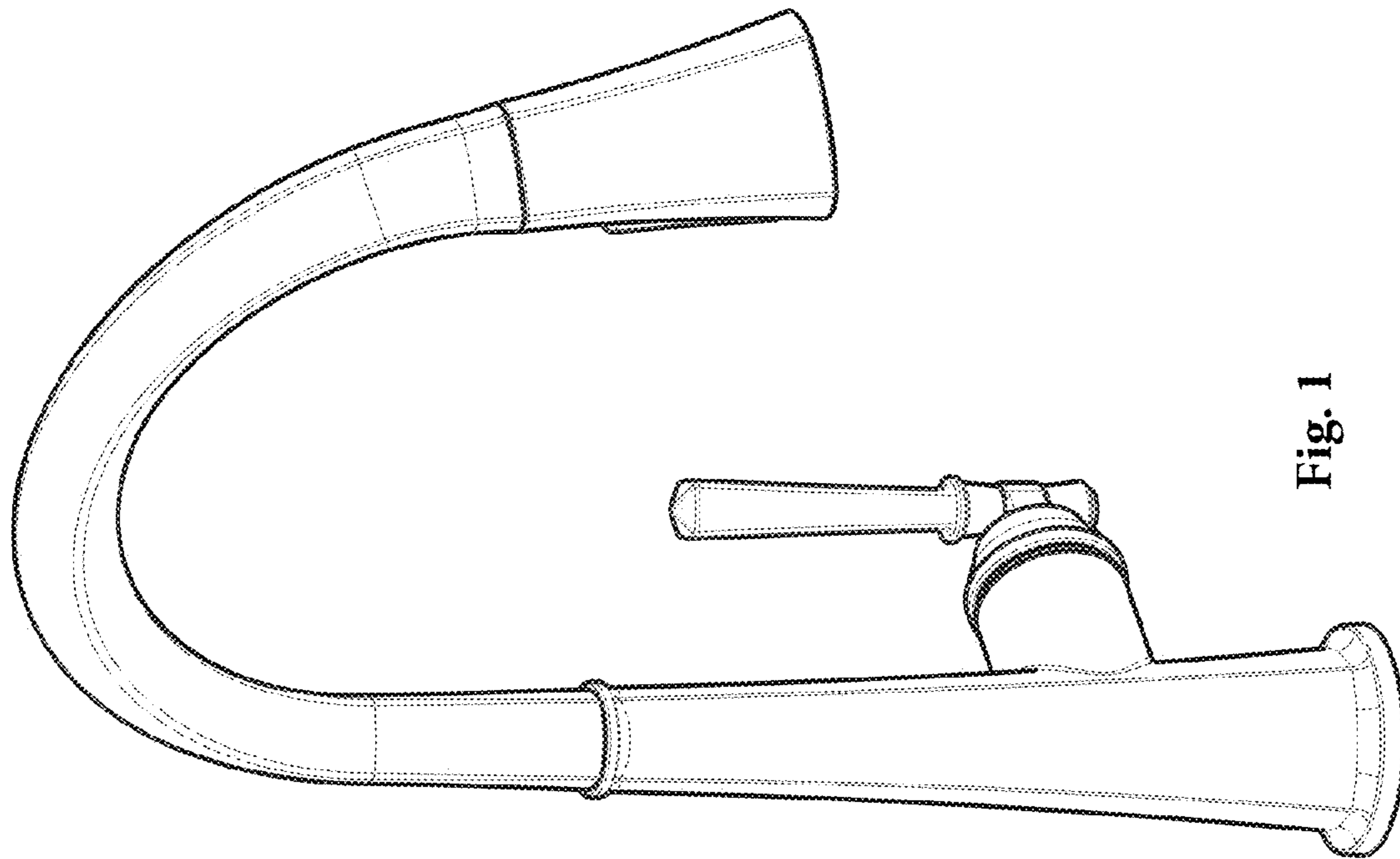


Fig. 1

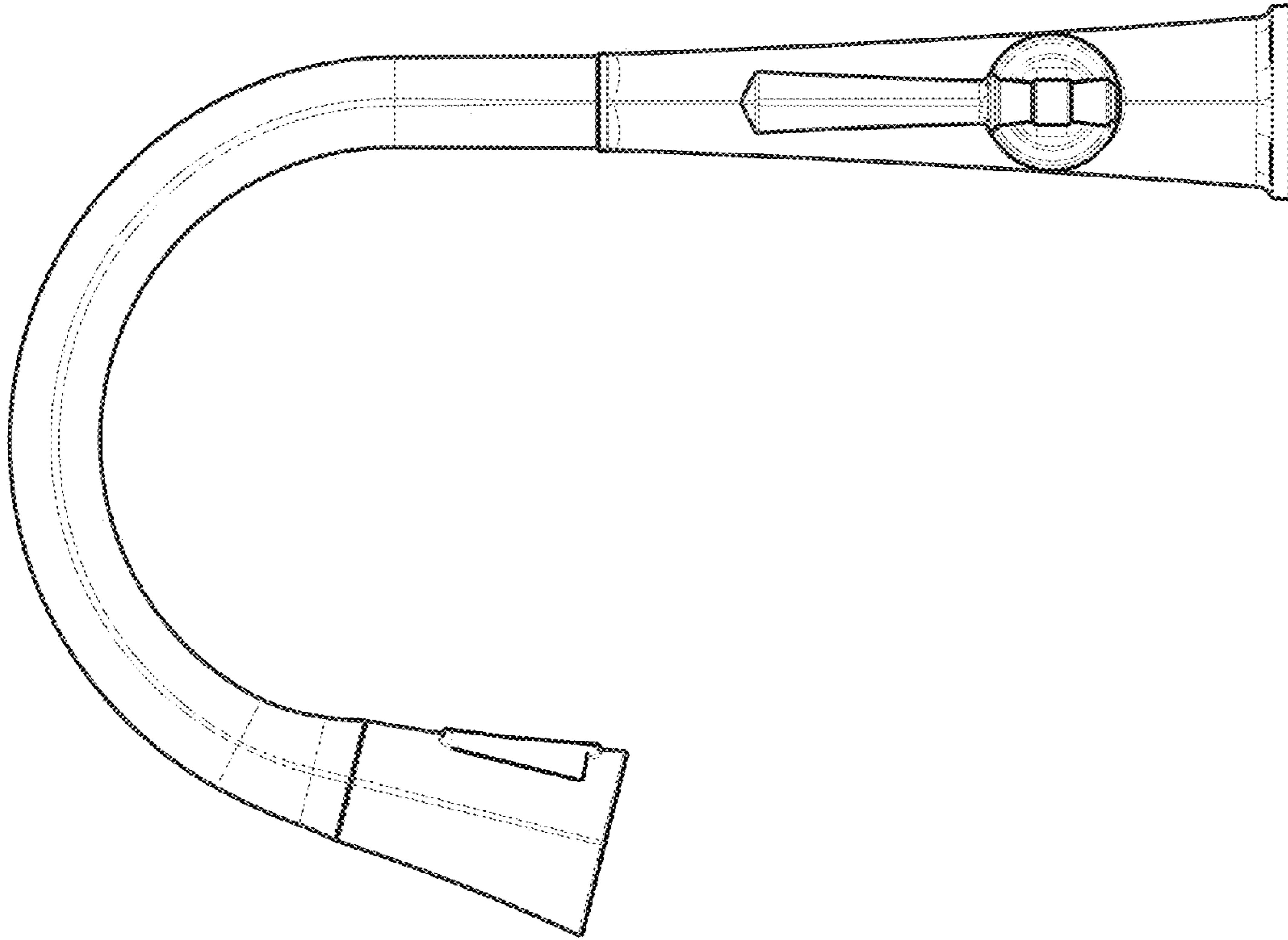


Fig. 4

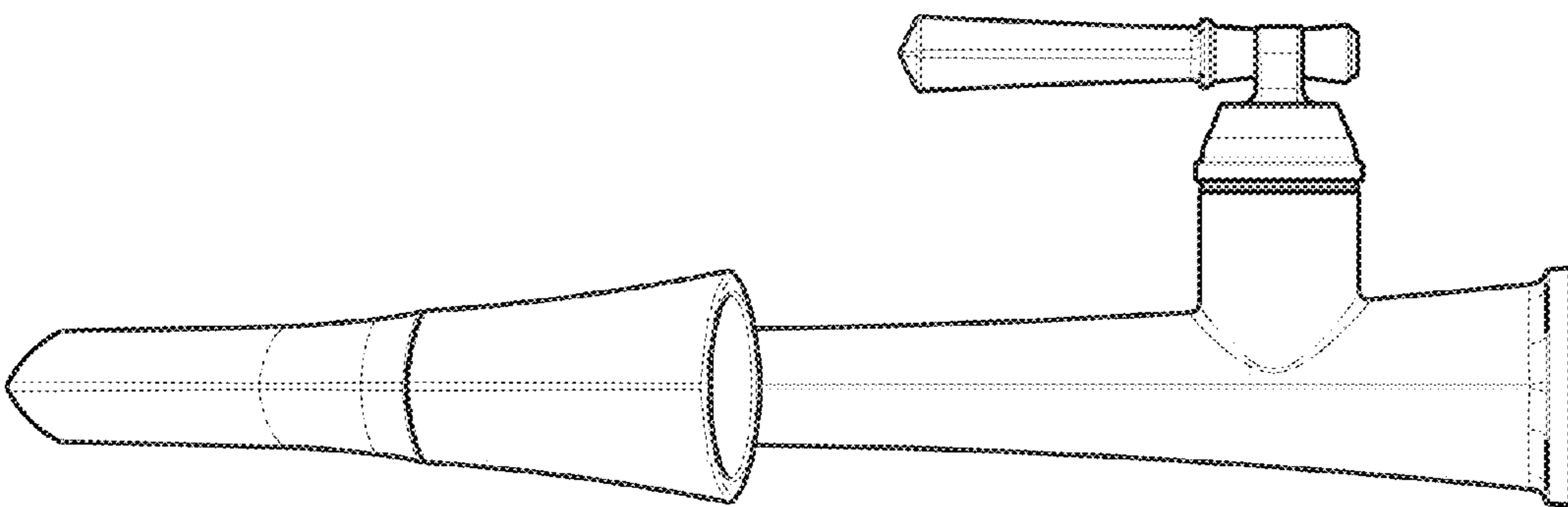


Fig. 3

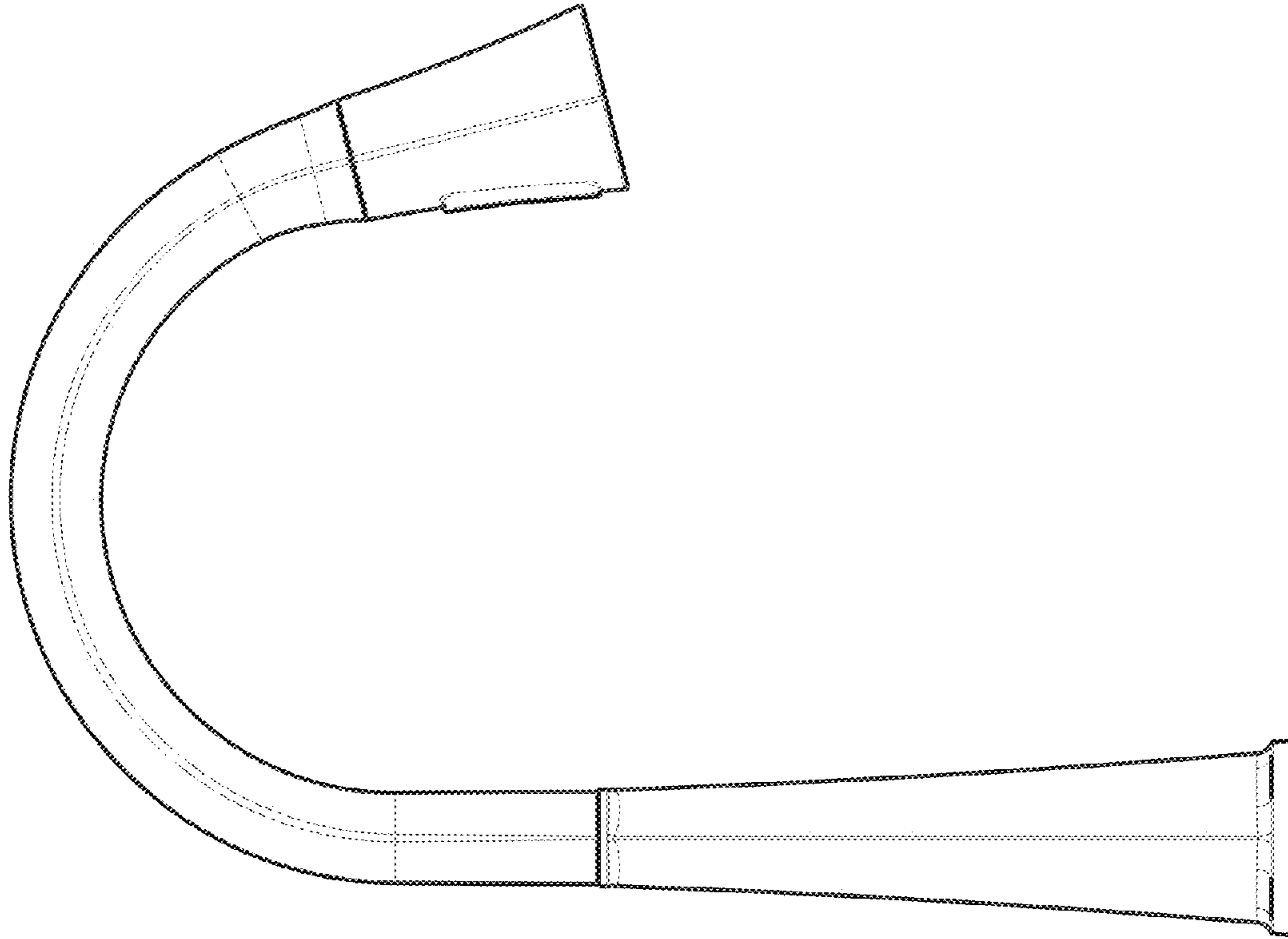


Fig. 6

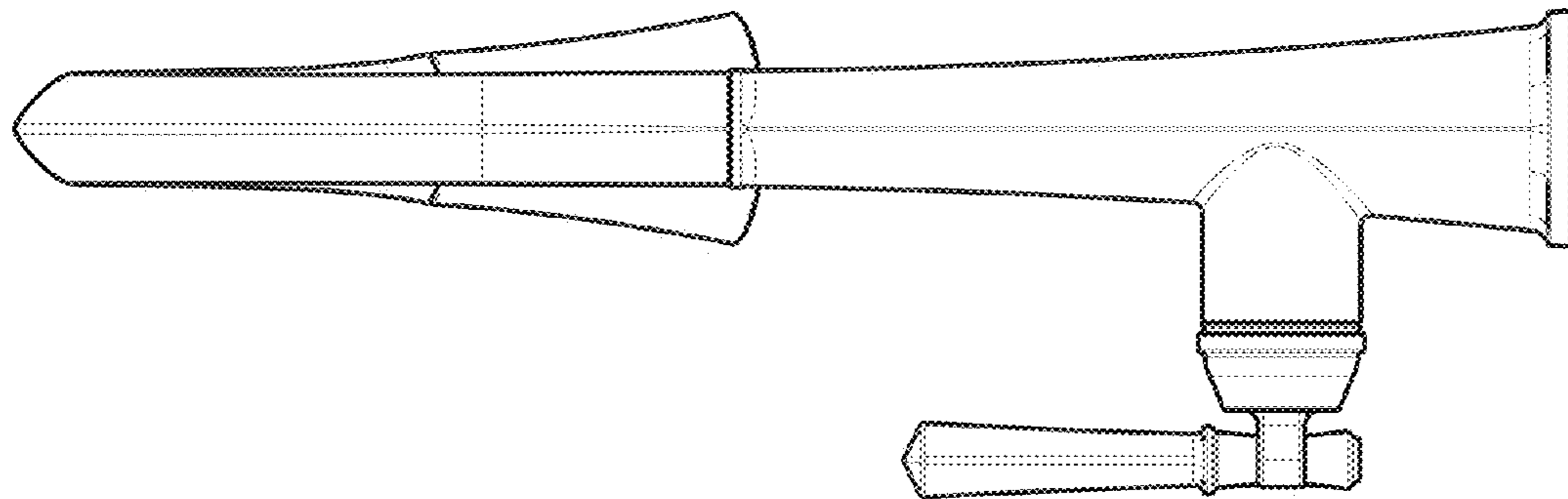


Fig. 5

Fig. 7

