



US00D872233S

(12) **United States Design Patent** (10) **Patent No.:** **US D872,233 S**
Sisk et al. (45) **Date of Patent:** **** Jan. 7, 2020**

(54) **CHECK VALVE**

(71) Applicant: **Emerson Electric Co.**, St. Louis, MO (US)

(72) Inventors: **Gregory E. Sisk**, Bonne Terre, MO (US); **Terry F. Farace**, St. Louis, MO (US)

(73) Assignee: **Emerson Electric Co.**, St. Louis, MO (US)

(**) Term: **15 Years**

(21) Appl. No.: **29/691,935**

(22) Filed: **May 21, 2019**

4,446,886 A	5/1984	Taylor et al.	
4,893,650 A	1/1990	Chisholm et al.	
4,930,553 A	6/1990	Grillo	
5,129,423 A	7/1992	Fournier et al.	
D354,335 S	1/1995	Siposs	
5,785,083 A	7/1998	Tang	
7,225,831 B2	6/2007	Hope et al.	
D602,564 S	10/2009	Nimberger	
D623,723 S *	9/2010	Nimberger	D23/237
D624,157 S	9/2010	Nimberger	
7,806,142 B2	10/2010	Baros et al.	
D707,795 S	6/2014	Huang	
D708,708 S	7/2014	Harvell	
D745,638 S *	12/2015	Hickman	D23/233
D757,218 S	5/2016	Murphey et al.	
9,353,742 B2 *	5/2016	Herman	F04B 53/1002
D776,791 S	1/2017	Iton	
9,611,980 B2 *	4/2017	Herman	F16N 23/00
9,664,296 B2 *	5/2017	Roys	F16K 15/044
D823,992 S	7/2018	Passino, Jr. et al.	

(Continued)

Related U.S. Application Data

(62) Division of application No. 29/599,015, filed on Mar. 30, 2017.

(51) **LOC (12) Cl.** **23-01**

(52) **U.S. Cl.**
USPC **D23/237**

(58) **Field of Classification Search**
USPC D23/233-237, 241-250; 137/844, 853, 137/883, 843, 356, 15.18, 15.19, 218, 137/512.4, 512.5
CPC F16K 27/0209; F16K 15/00; F16K 15/186; F16K 15/028; F16K 15/04; F16K 15/042; F16N 23/00; F04B 53/1002; F04D 29/063
See application file for complete search history.

(56) **References Cited**

U.S. PATENT DOCUMENTS

3,626,977 A	12/1971	Riley et al.	
3,913,615 A	10/1975	Cooper	
4,049,017 A	9/1977	Jones	
D260,280 S *	8/1981	Campbell	D23/237

Primary Examiner — Gino Colan

(74) *Attorney, Agent, or Firm* — Armstrong Teasdale LLP

(57) **CLAIM**

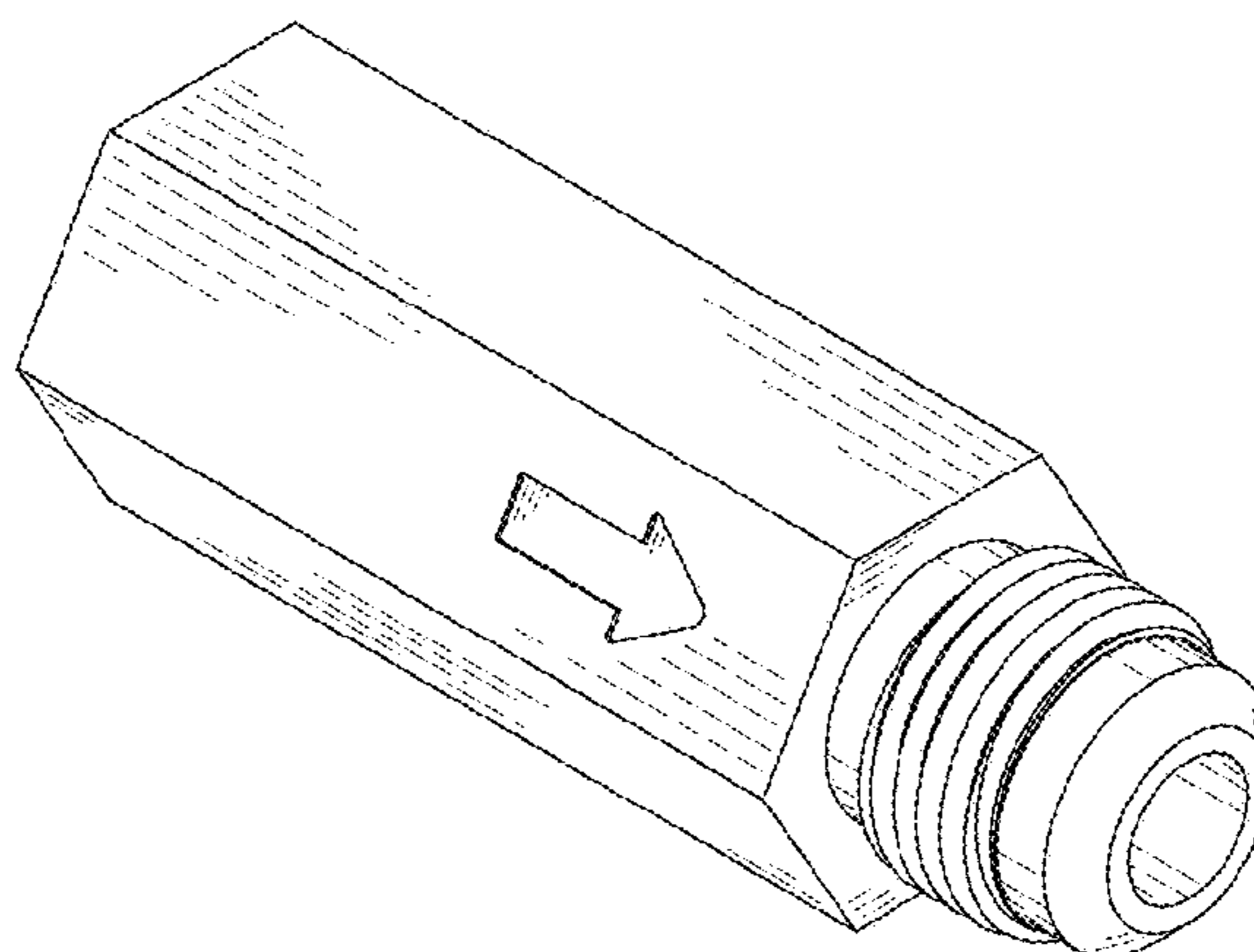
We claim the ornamental design for a check valve, as shown and described.

DESCRIPTION

FIG. 1 is a perspective view of a check valve showing our new design;
 FIG. 2 is a front view thereof;
 FIG. 3 is a rear view thereof;
 FIG. 4 is a right side view thereof;
 FIG. 5 is a left side view thereof;
 FIG. 6 is a top view thereof; and,
 FIG. 7 is a bottom view thereof.

The broken lines shown in the figures are for the purpose of illustrating portions of the check valve which form no part of the claimed design.

1 Claim, 7 Drawing Sheets



(56)

References Cited

U.S. PATENT DOCUMENTS

2013/0213504 A1 8/2013 Yabuuchi
2016/0097486 A1 4/2016 Herman et al.

* cited by examiner

FIG. 1

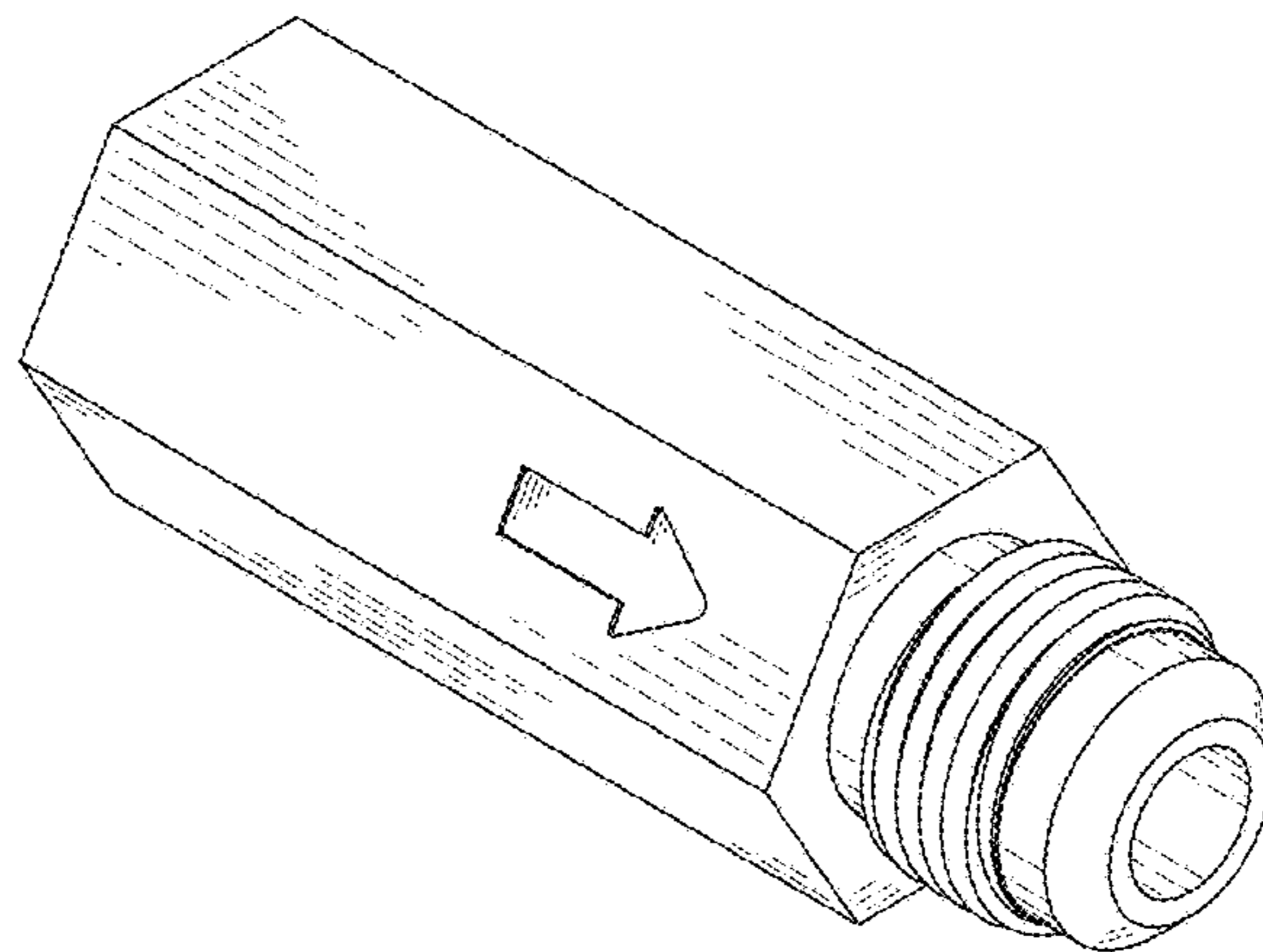


FIG. 2

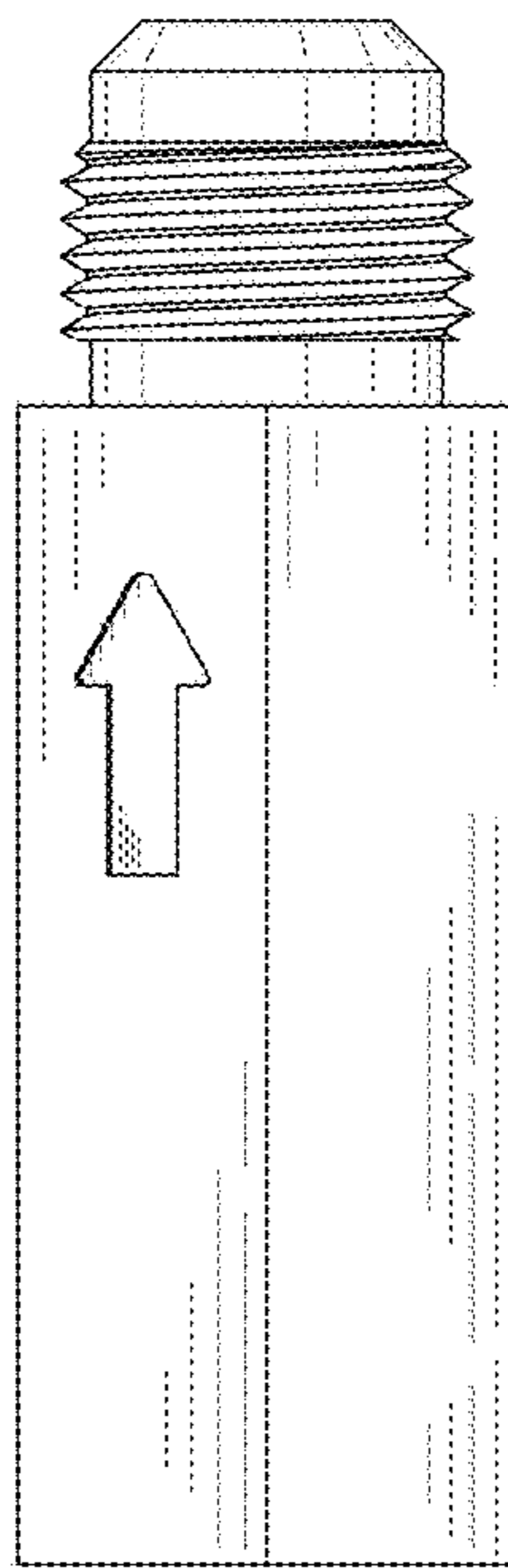


FIG. 3

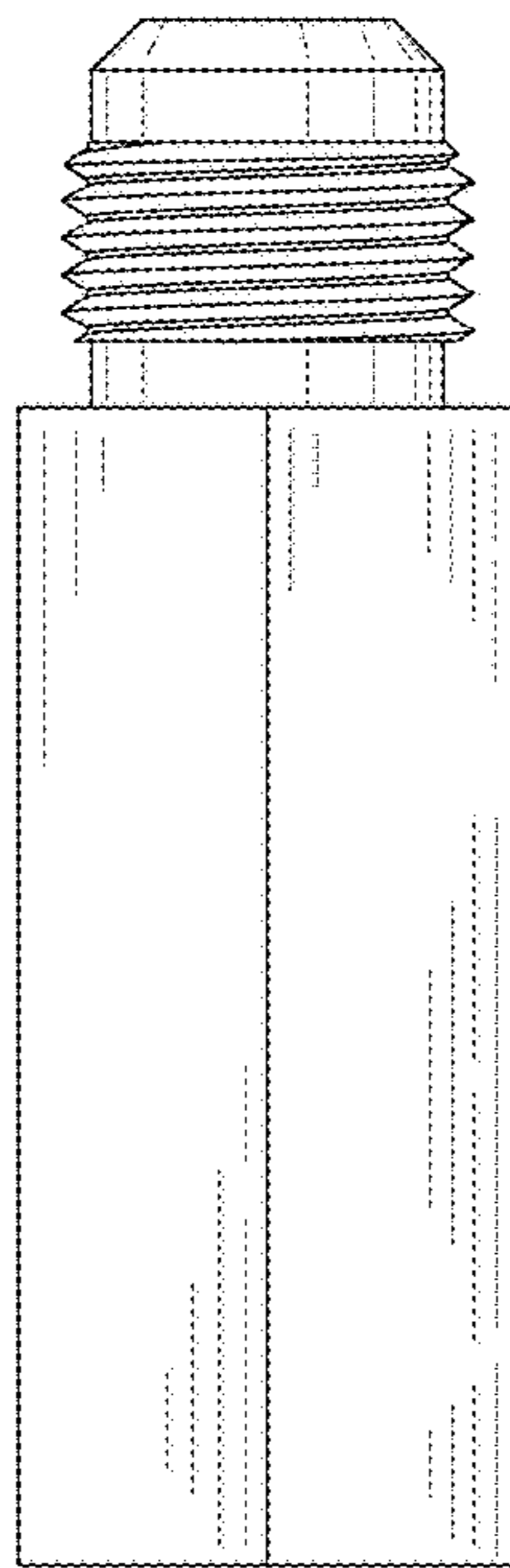


FIG. 4

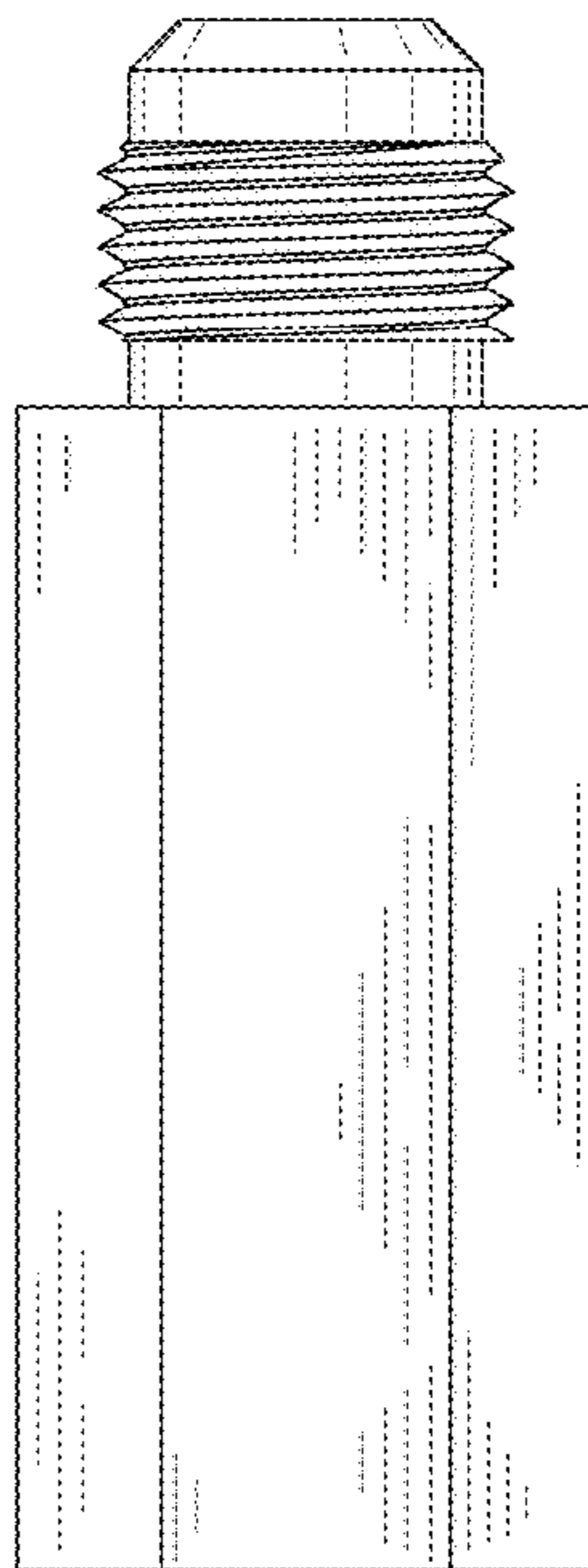


FIG. 5

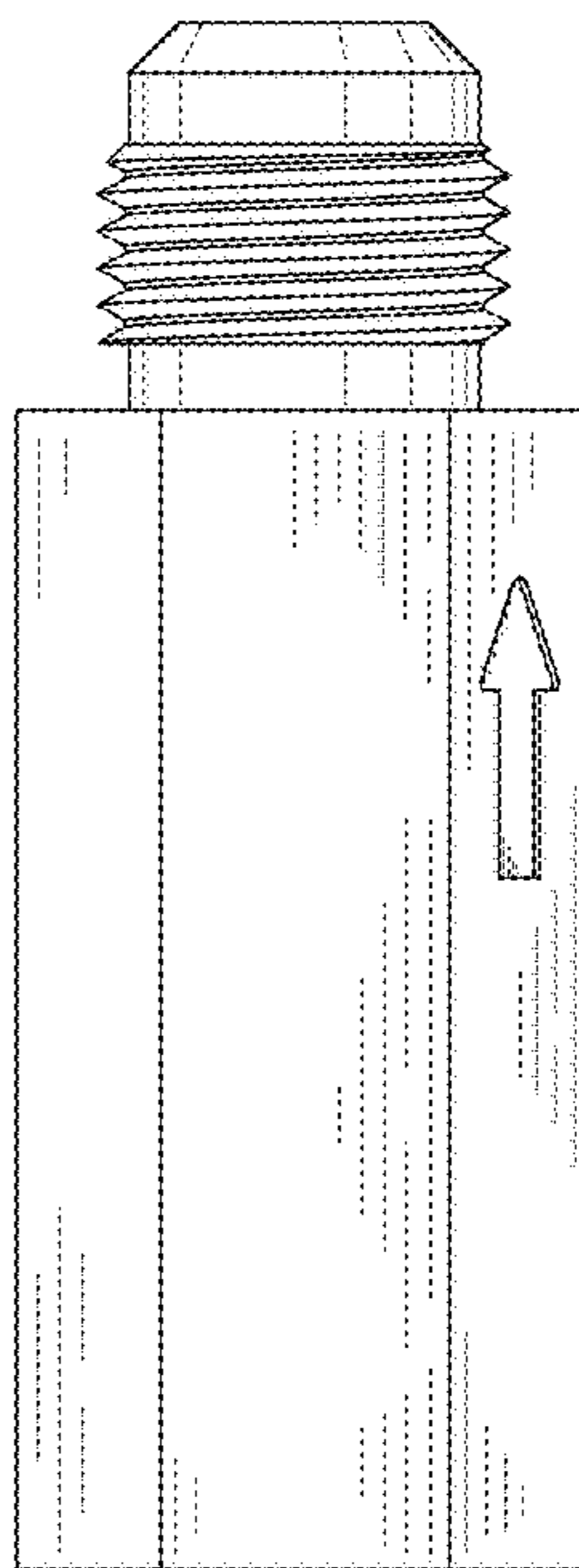


FIG. 6

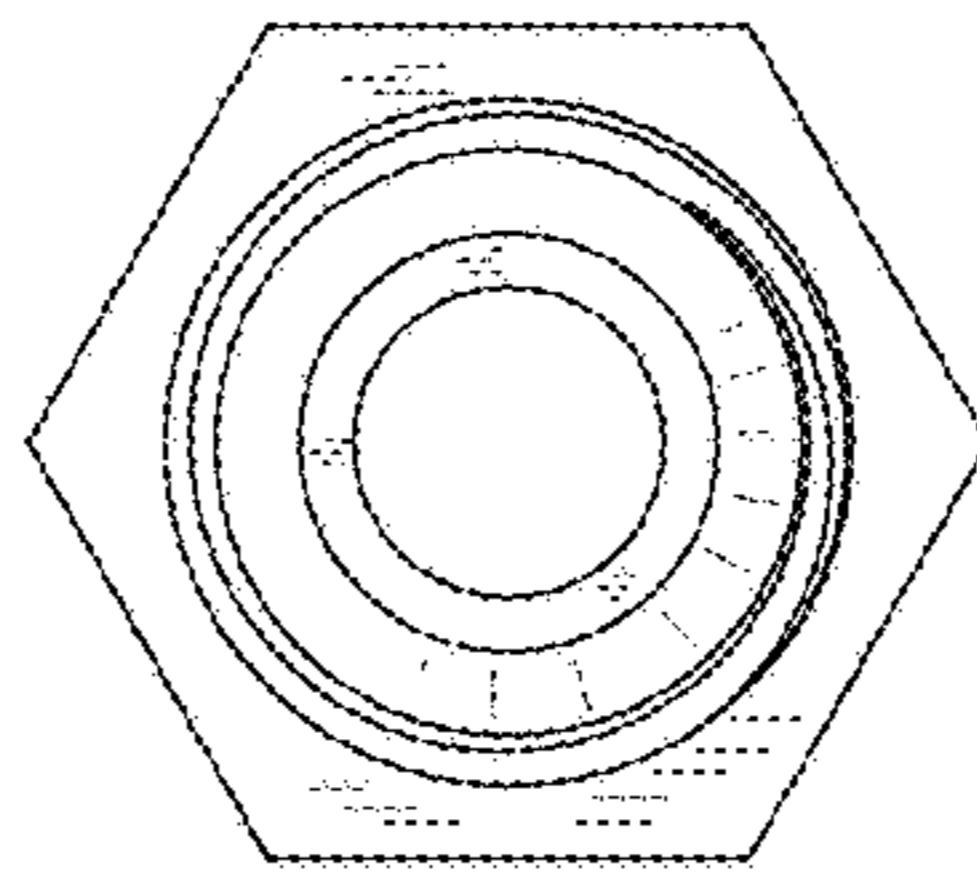


FIG. 7

