



US00D872232S

(12) **United States Design Patent**
Sisk et al.

(10) **Patent No.:** **US D872,232 S**
(45) **Date of Patent:** **** Jan. 7, 2020**

- (54) **CHECK VALVE**
- (71) Applicant: **Emerson Electric Co.**, St. Louis, MO (US)
- (72) Inventors: **Gregory E. Sisk**, Bonne Terre, MO (US); **Terry F. Farace**, St. Louis, MO (US)
- (73) Assignee: **Emerson Electric Co.**, St. Louis, MO (US)
- (**) Term: **15 Years**
- (21) Appl. No.: **29/599,015**
- (22) Filed: **Mar. 30, 2017**
- (51) **LOC (12) Cl.** **23-01**
- (52) **U.S. Cl.**
USPC **D23/237**
- (58) **Field of Classification Search**
USPC D23/233-237, 241-250; 137/844, 853, 137/883, 843, 356, 15.18, 15.19, 218, 137/512.4, 512.5
CPC F16K 27/0209; F16K 15/00; F16K 15/186; F16K 15/028; F16K 15/04; F16K 15/042; F16N 23/00; F04B 53/1002; F04D 29/063
See application file for complete search history.

- D624,157 S * 9/2010 Nimberger D23/237
- 7,806,142 B2 10/2010 Baros
- D707,795 S * 6/2014 Huang D23/233
- D708,708 S * 7/2014 Harvell D23/233
- D745,638 S * 12/2015 Hickman D23/233
- D757,218 S * 5/2016 Murphey D23/237
- 9,353,742 B2 * 5/2016 Herman F04B 53/1002
- D776,791 S * 1/2017 Itou D23/237
- 9,611,980 B2 * 4/2017 Herman F16N 23/00
- 9,664,296 B2 * 5/2017 Roys F16K 15/044
- D823,992 S * 7/2018 Passino, Jr. D23/248

(Continued)

Primary Examiner — Gino Colan
(74) *Attorney, Agent, or Firm* — Armstrong Teasdale LLP

(57) **CLAIM**

We claim the ornamental design for a check valve, as shown and described.

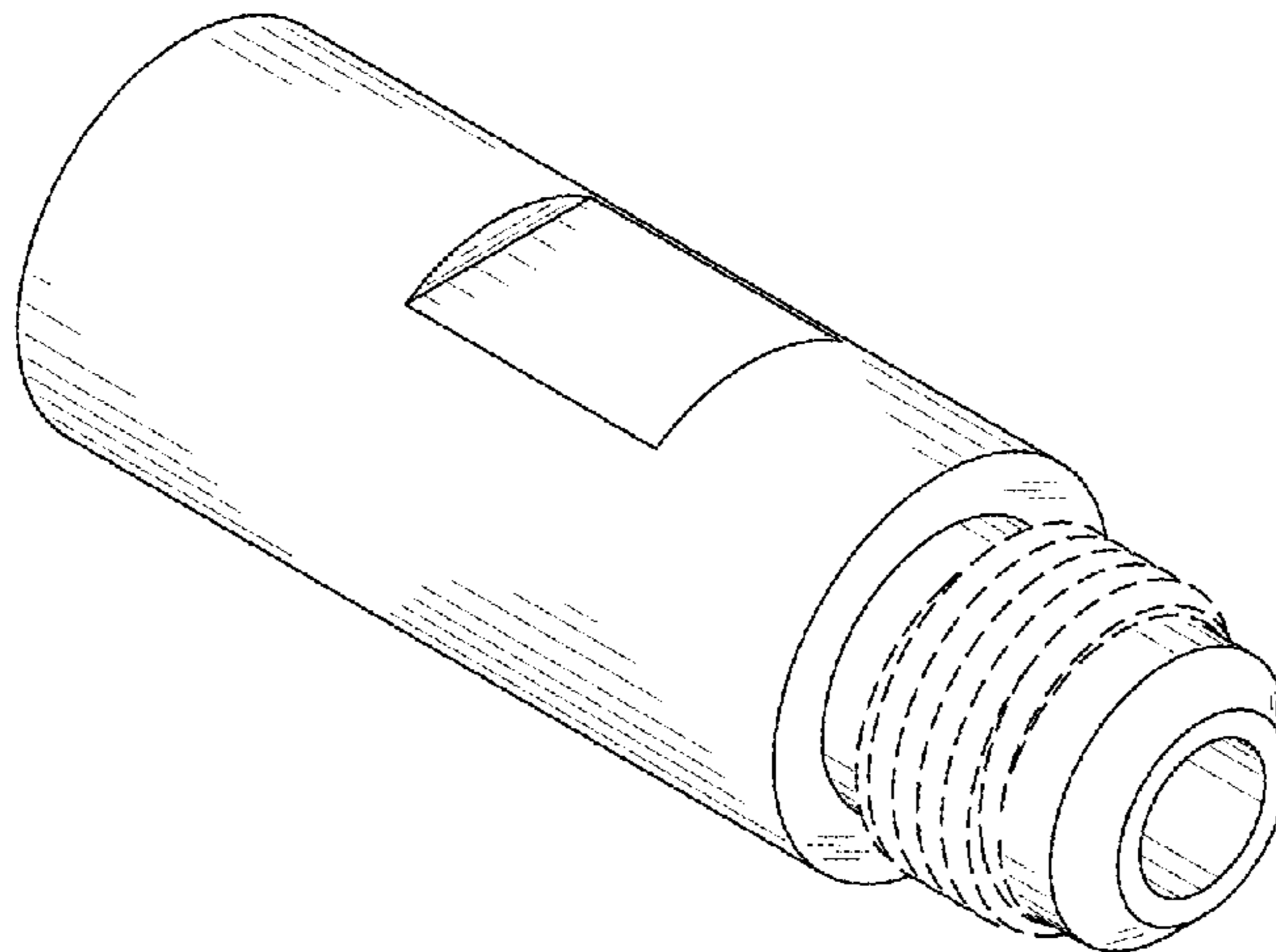
DESCRIPTION

FIG. 1 is a perspective view of a check valve showing our new design;
 FIG. 2 is a front view thereof;
 FIG. 3 is a rear view thereof;
 FIG. 4 is a right side view thereof;
 FIG. 5 is a left side view thereof;
 FIG. 6 is a top view thereof;
 FIG. 7 is a bottom view thereof;
 FIG. 8 is a perspective view of the check valve shown in FIG. 1 including a cover;
 FIG. 9 is a front view thereof;
 FIG. 10 is a rear view thereof;
 FIG. 11 is a right side view thereof;
 FIG. 12 is a left side view thereof;
 FIG. 13 is a top view thereof; and,
 FIG. 14 is a bottom view thereof.

The broken lines shown in the figures are for the purpose of illustrating portions of the check valve which form no part of the claimed design.

1 Claim, 14 Drawing Sheets

- (56) **References Cited**
U.S. PATENT DOCUMENTS
- 3,626,977 A 12/1971 Riley
- 3,913,615 A 10/1975 Cooper
- 4,049,017 A 9/1977 Jones
- 4,446,886 A 5/1984 Taylor
- 4,893,650 A 1/1990 Chisholm
- 4,930,553 A 6/1990 Grillo
- 5,129,423 A 7/1992 Fournier
- D354,335 S * 1/1995 Siposs D23/237
- 5,785,083 A 7/1998 Tang
- 7,225,831 B2 6/2007 Hope
- D602,564 S * 10/2009 Nimberger D23/233



(56)

References Cited

U.S. PATENT DOCUMENTS

2013/0213504 A1 8/2013 Yabuuchi
2016/0097486 A1 4/2016 Herman

* cited by examiner

FIG. 1

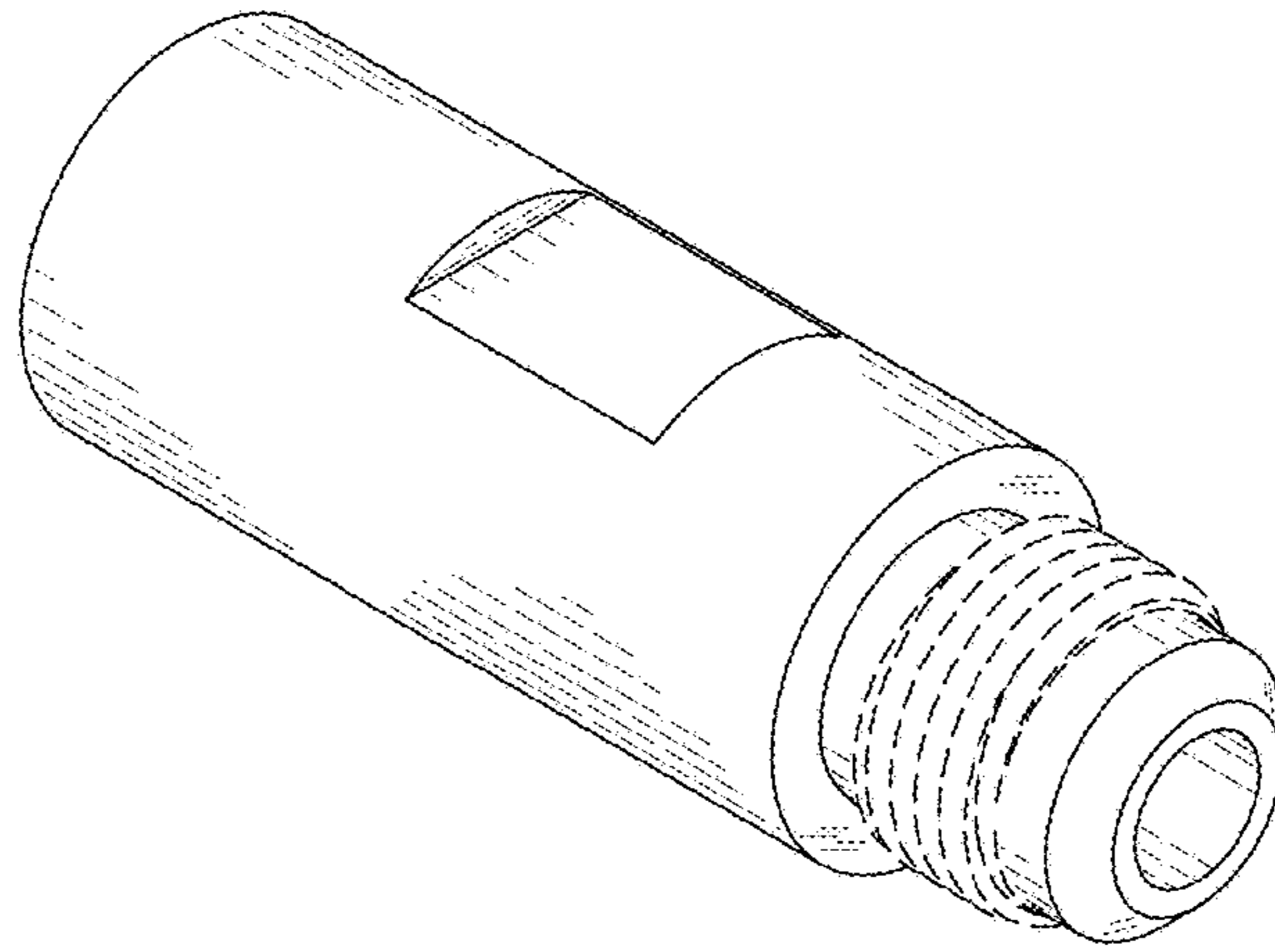


FIG. 2

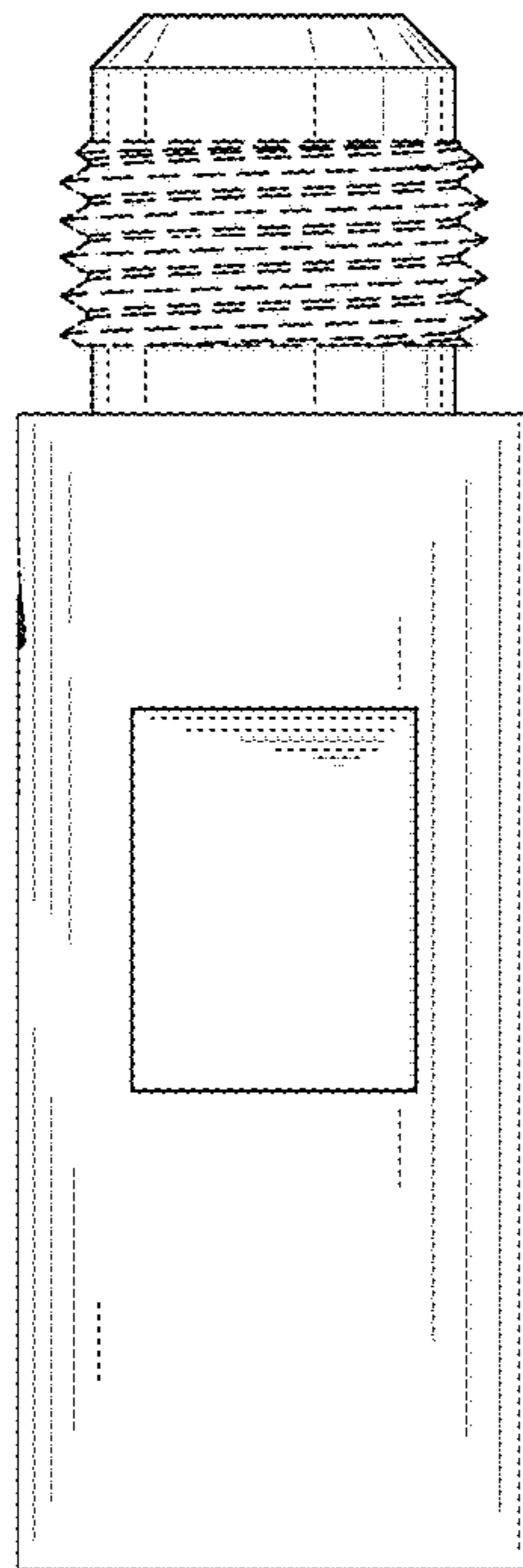


FIG. 3

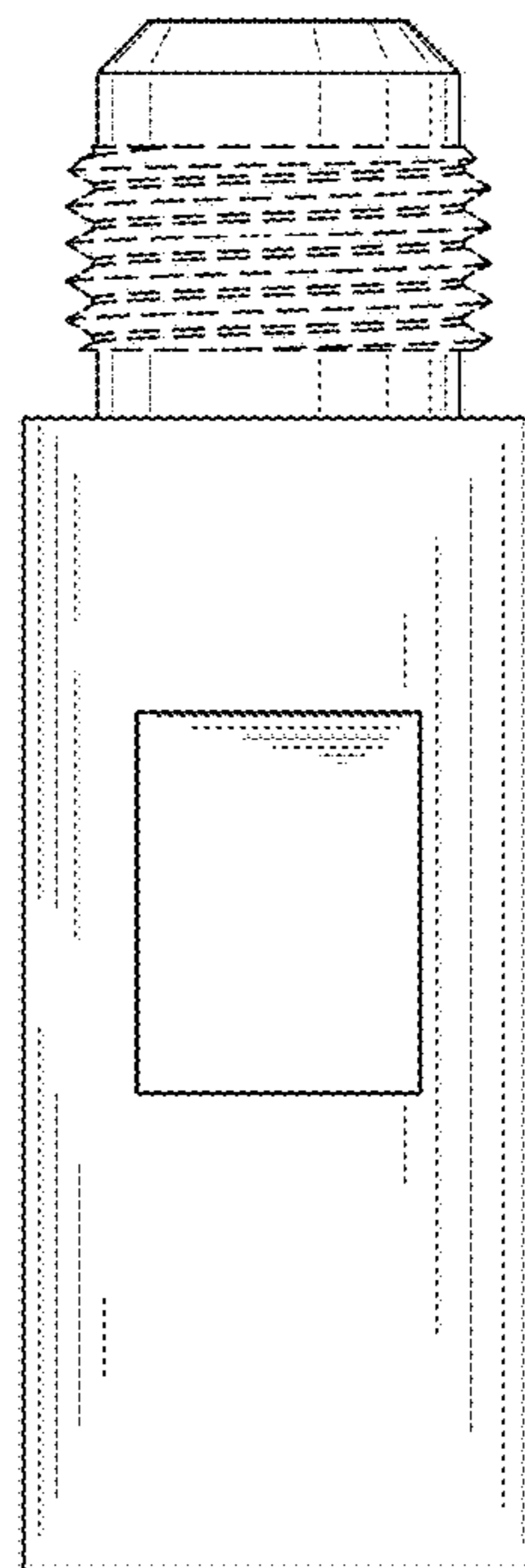


FIG. 4

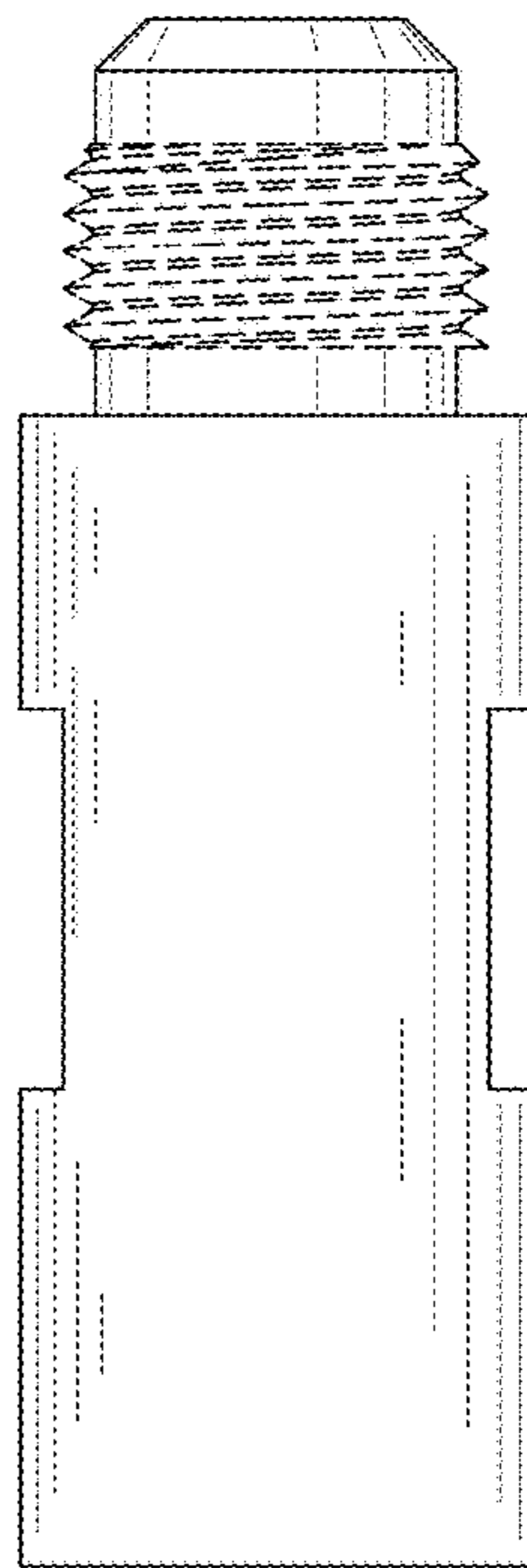


FIG. 5

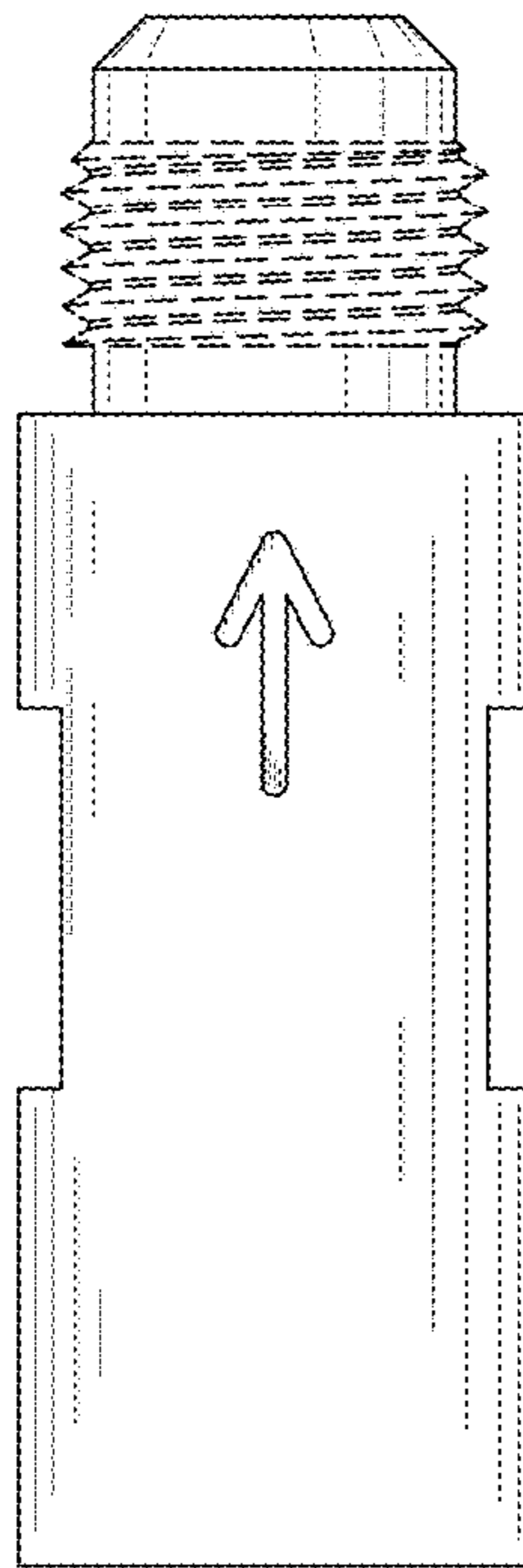


FIG. 6

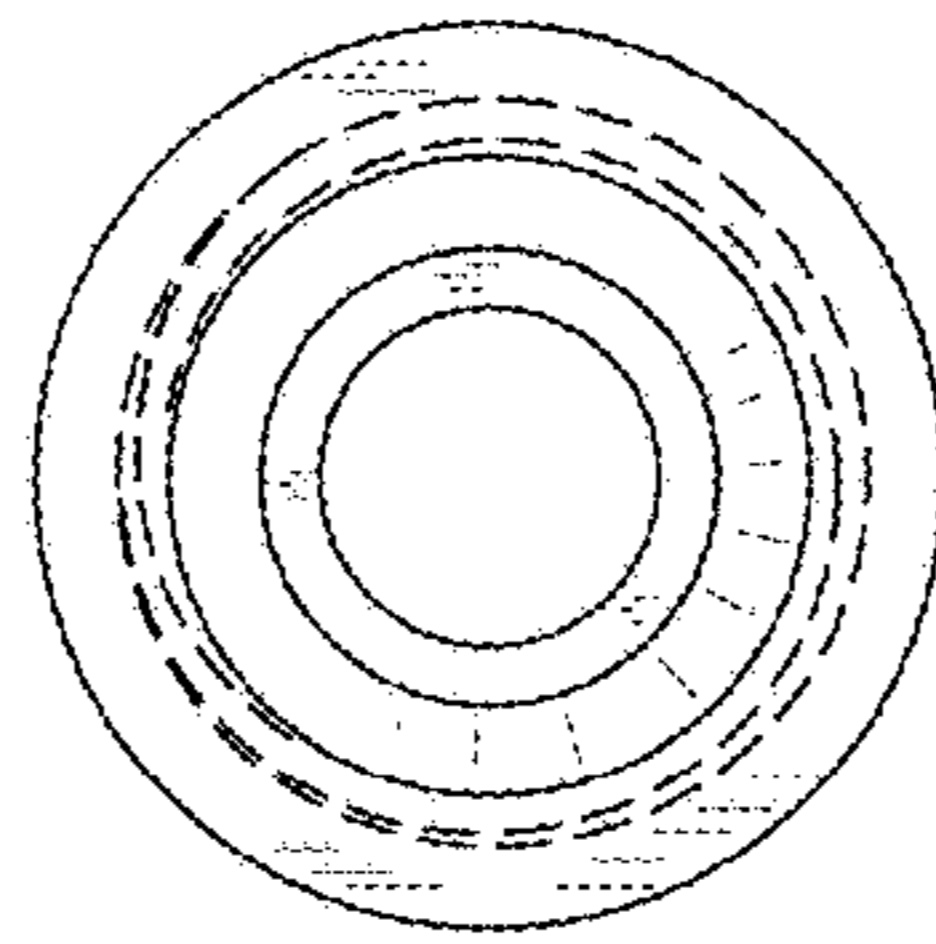


FIG. 7

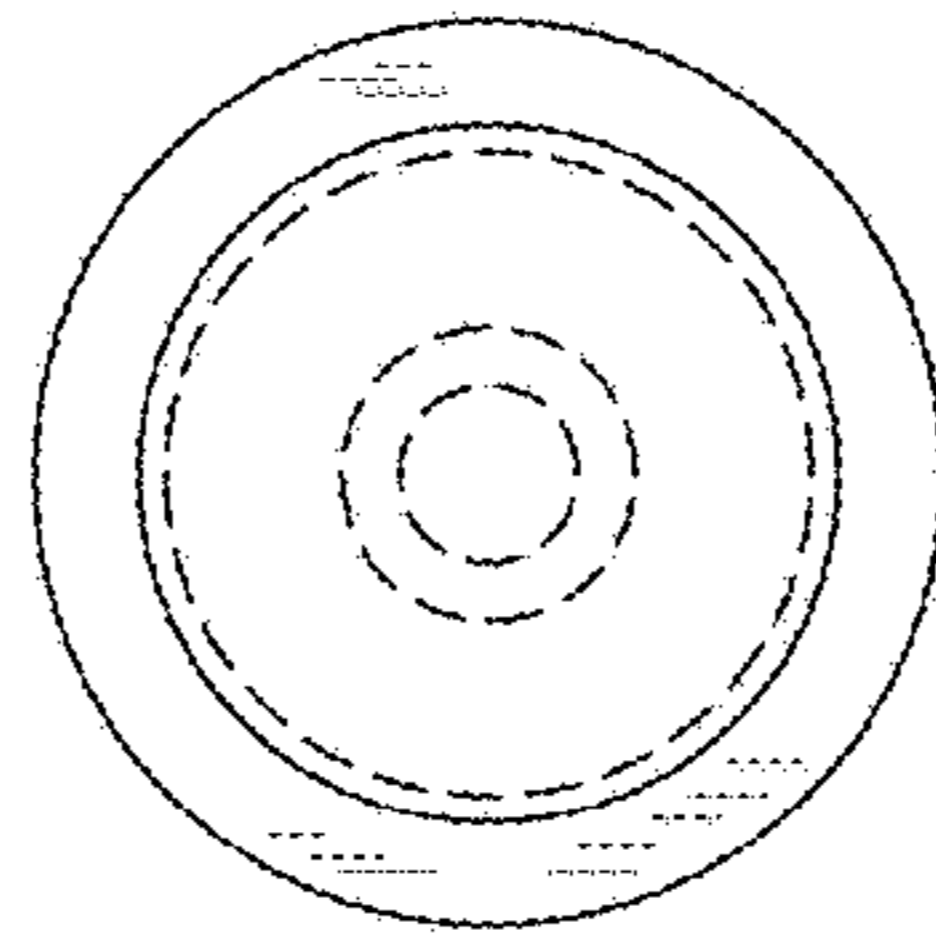


FIG. 8

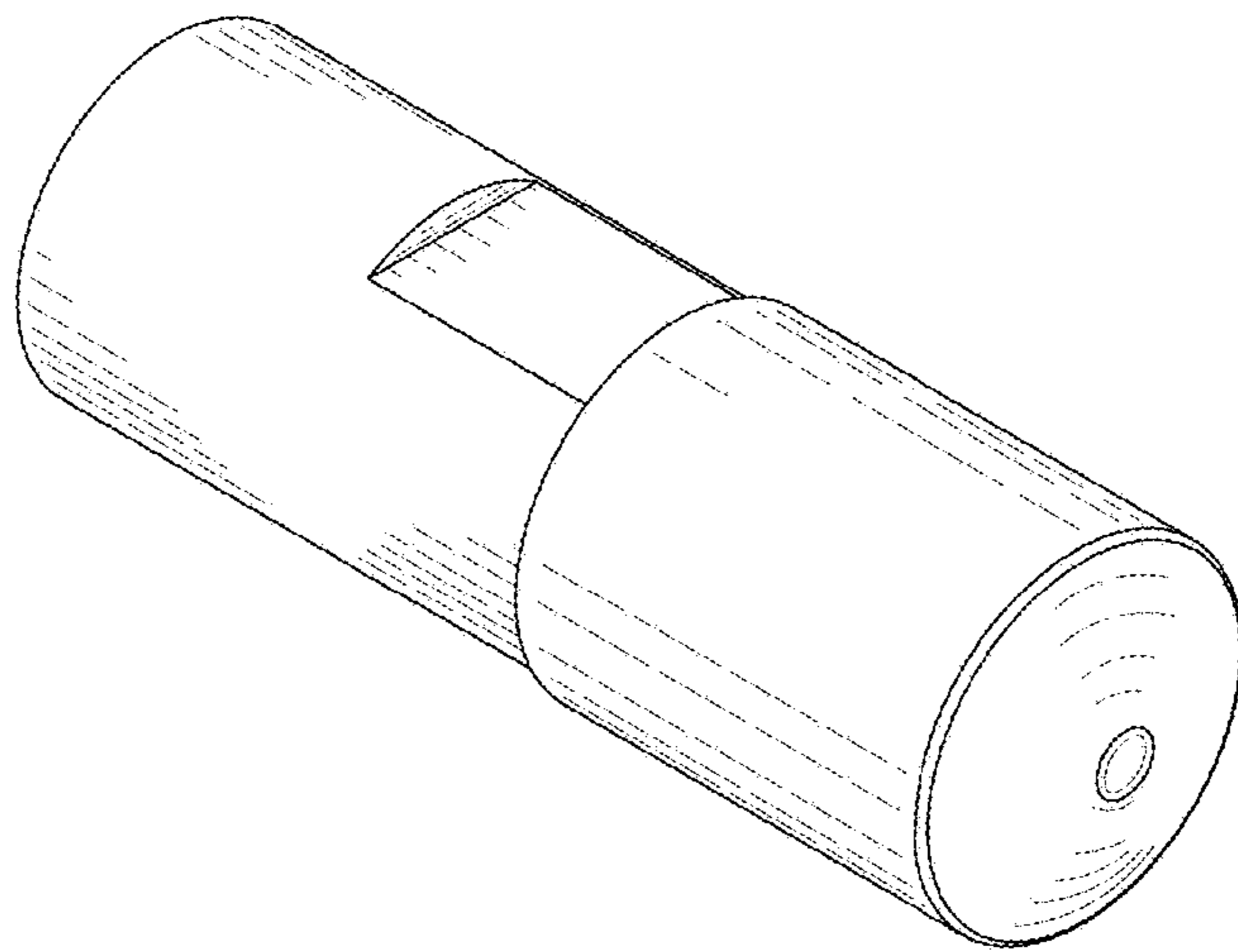


FIG. 9

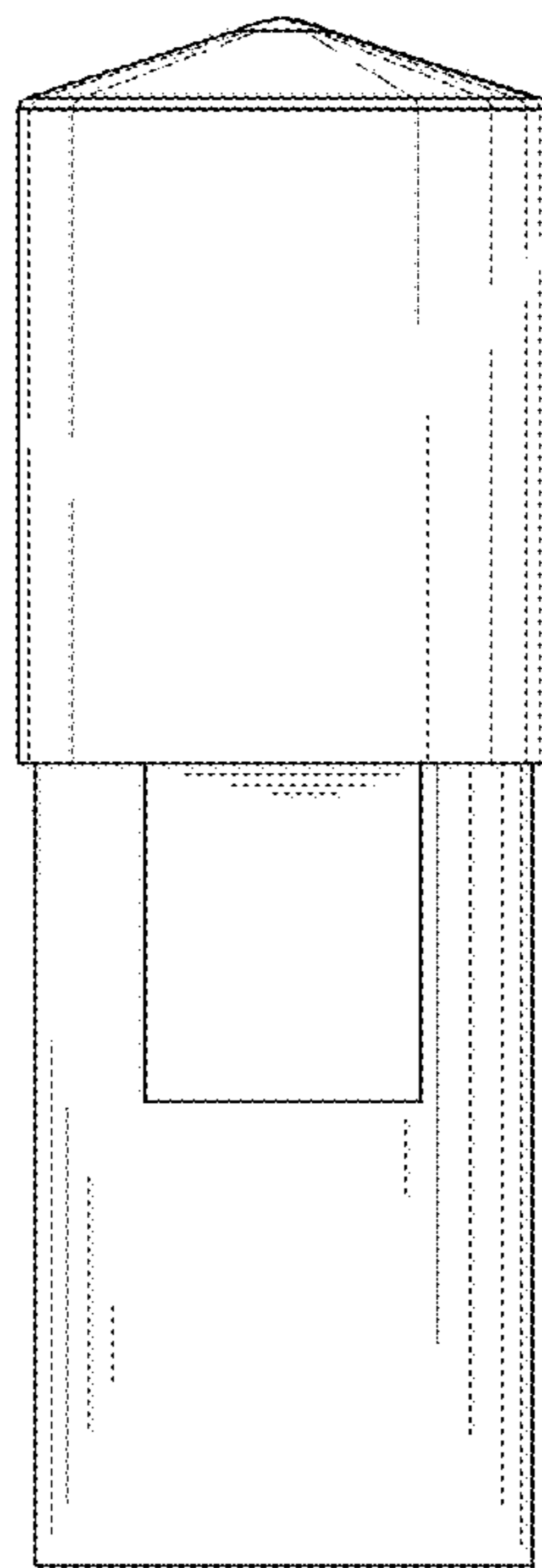


FIG. 10

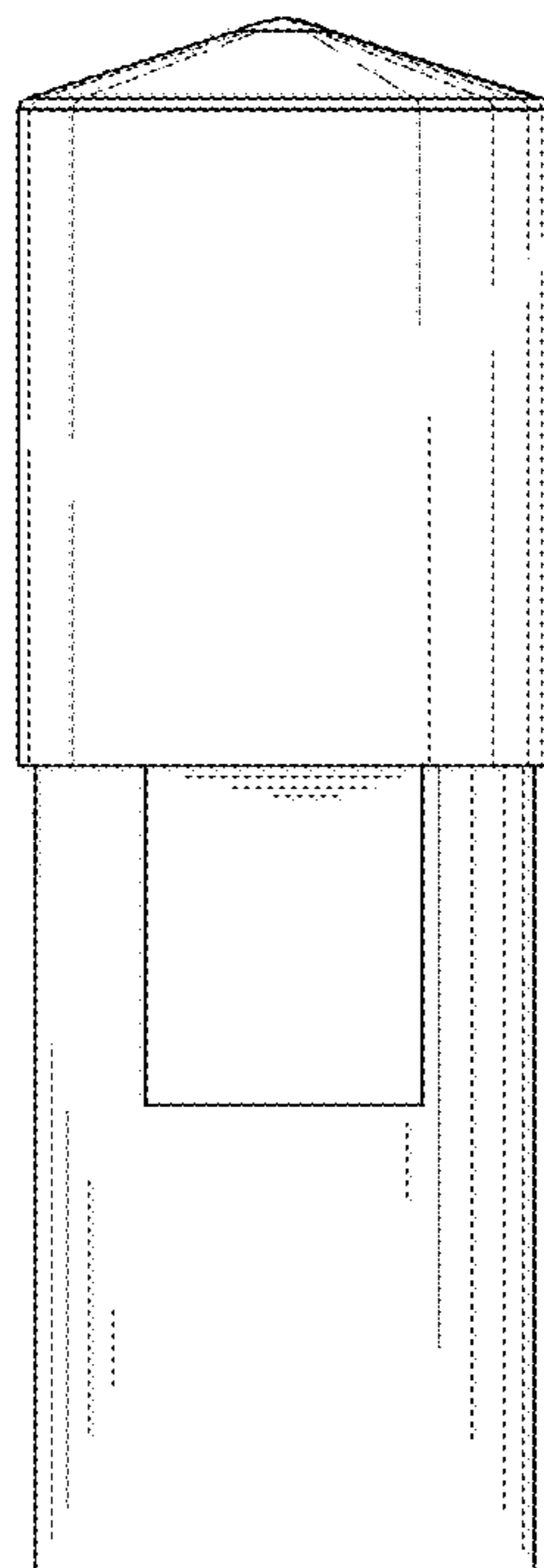


FIG. 11

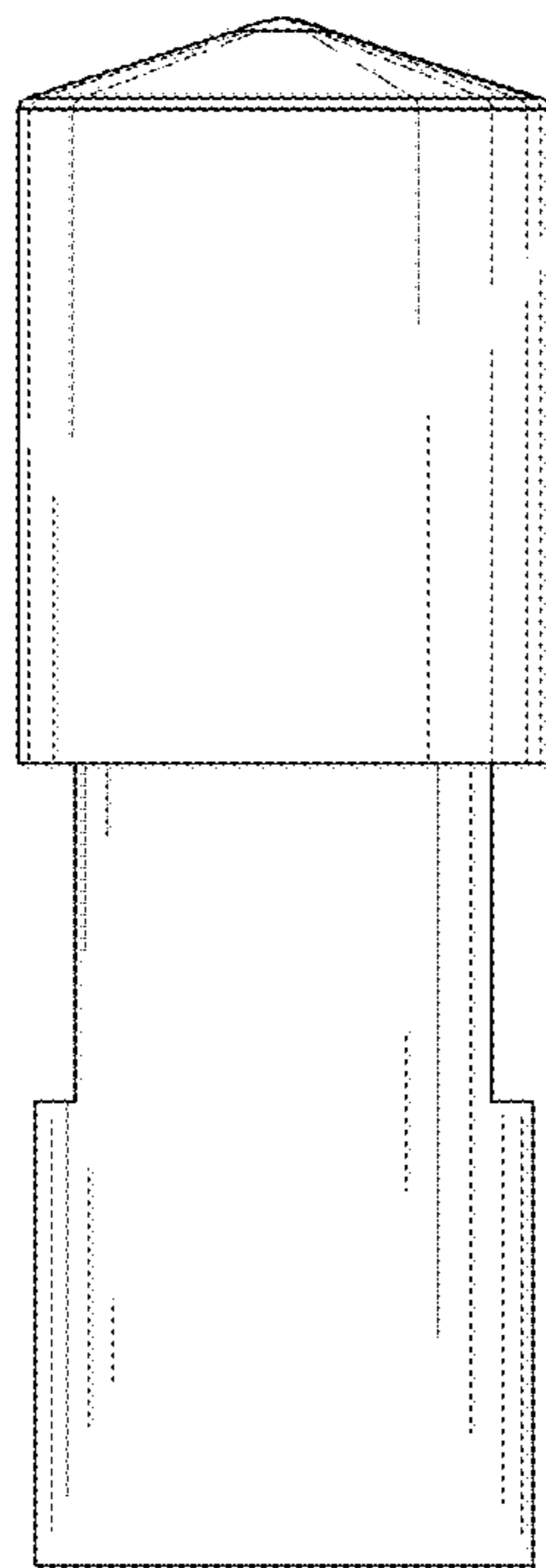


FIG. 12

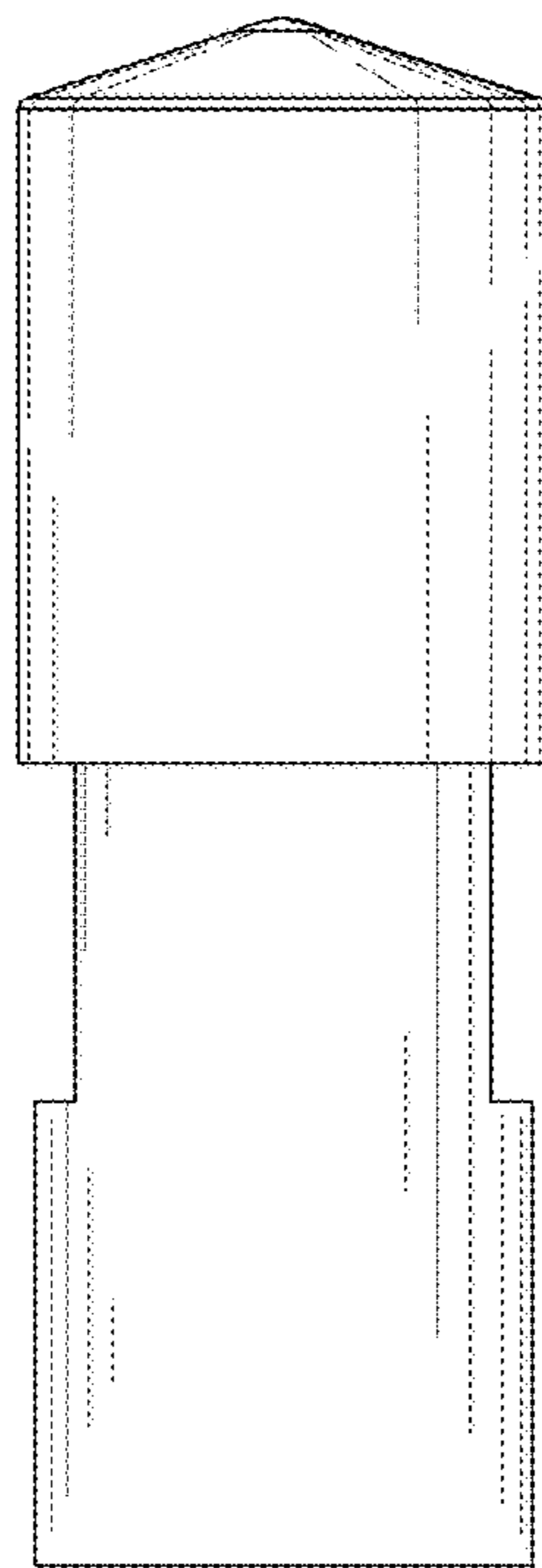


FIG. 13

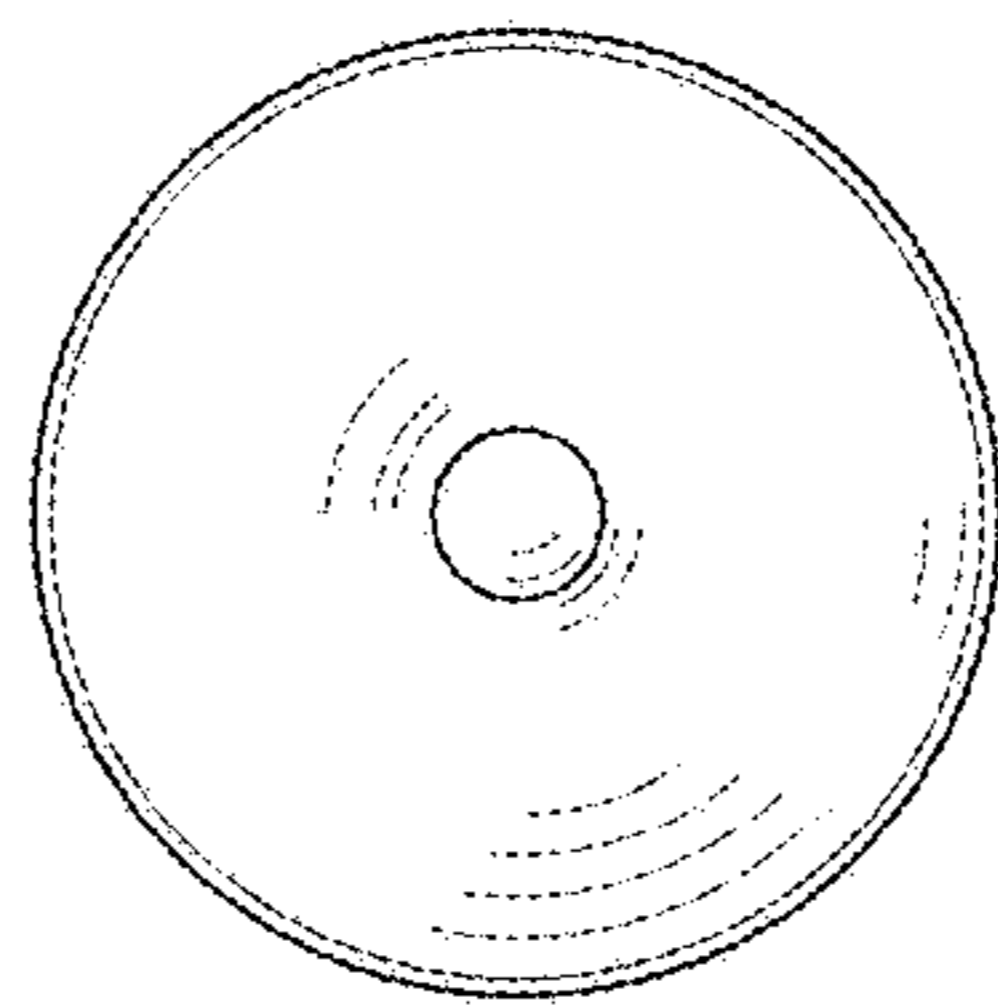


FIG. 14

