

US00D872231S

(12) **United States Design Patent**  
**Lampton et al.**

(10) **Patent No.:** **US D872,231 S**  
(45) **Date of Patent:** **\*\* Jan. 7, 2020**

- (54) **SOLENOID TUBE**
- (71) Applicant: **Sun Hydraulics, LLC**, Sarasota, FL (US)
- (72) Inventors: **Chad Lampton**, Sarasota, FL (US); **Andy Borja**, Sarasota, FL (US); **Bernd Zähe**, Sarasota, FL (US); **Ryan Schroder**, Sarasota, FL (US)
- (73) Assignee: **Sun Hydraulics, LLC**, Sarasota, FL (US)
- (\*\*) Term: **15 Years**
- (21) Appl. No.: **29/673,608**
- (22) Filed: **Dec. 17, 2018**
- (51) **LOC (12) Cl.** ..... **23-01**
- (52) **U.S. Cl.**  
USPC ..... **D23/235**
- (58) **Field of Classification Search**  
USPC ..... D23/233, 234, 235, 237, 241–248, 249;  
251/30.04, 38, 129.15, 129.2, 282,  
251/129.08, 30.01, 129.03; 137/100,  
137/625.17, 636.4, 454.5, 625.65, 454.2,  
137/505.25  
CPC .. F16K 31/0675; F16K 27/029; F16K 27/048;  
F16K 31/082; F16K 31/408  
See application file for complete search history.

- 4,725,039 A \* 2/1988 Kolchinsky ..... F16K 3/26  
137/454.2
- D321,241 S \* 10/1991 Ingle ..... D23/235
- 5,156,184 A \* 10/1992 Kolchinsky ..... F16K 31/0613  
251/129.2
- 5,205,531 A \* 4/1993 Kolchinsky ..... F16K 31/408  
251/129.15
- 5,299,600 A \* 4/1994 Aronovich ..... F15B 13/0402  
137/625.65
- 5,842,679 A \* 12/1998 Kolchinsky ..... F16K 31/408  
251/30.04
- 6,161,585 A \* 12/2000 Kolchinsky ..... G05D 16/2024  
137/625.65
- D783,129 S \* 4/2017 Edwards ..... D23/235

\* cited by examiner

*Primary Examiner* — Gino Colan

(57) **CLAIM**

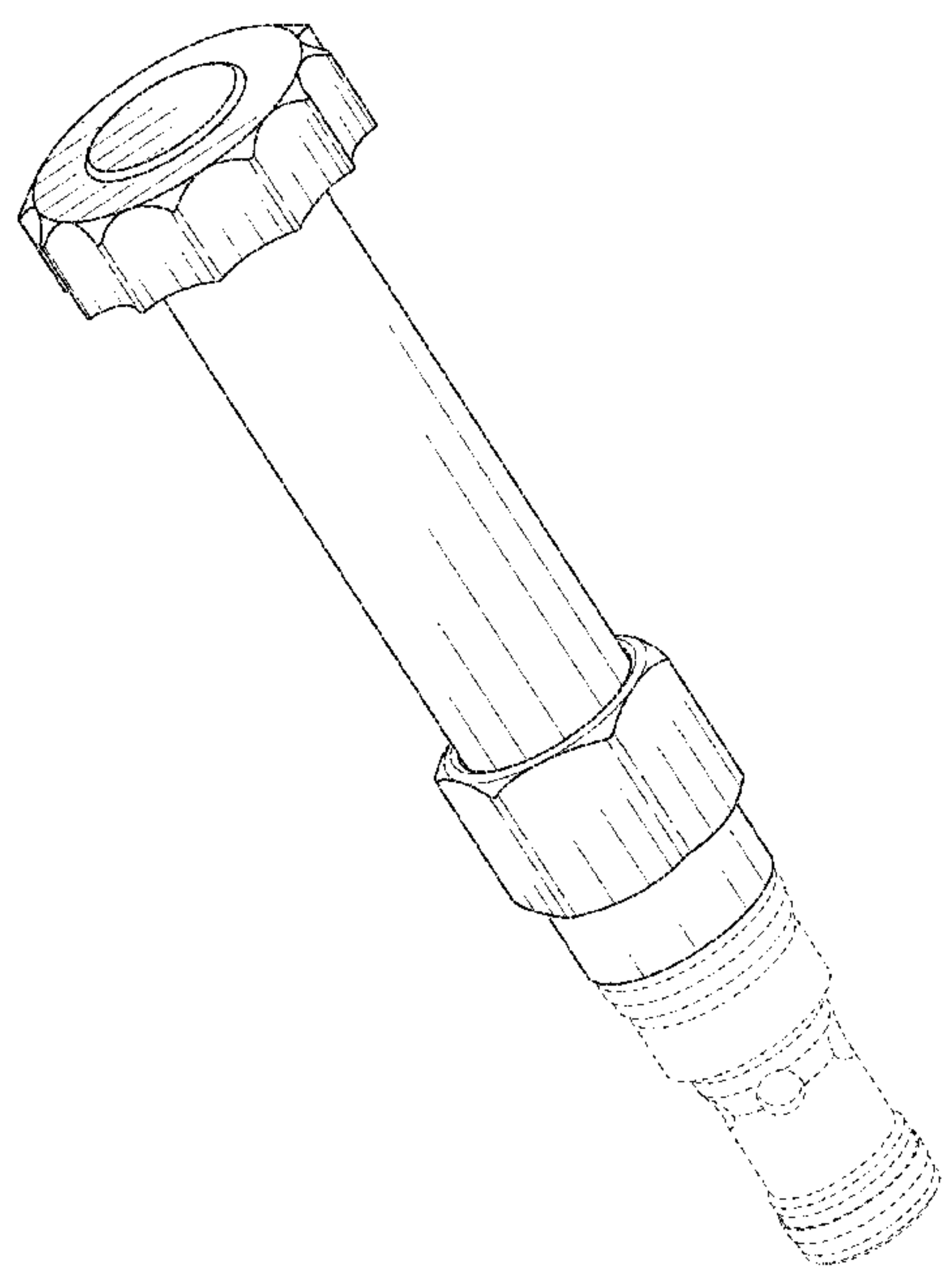
The ornamental design for a solenoid tube, as shown and described.

**DESCRIPTION**

FIG. 1 is a perspective view of a solenoid tube showing our new design;  
 FIG. 2 is a top view thereof;  
 FIG. 3 is a bottom view thereof;  
 FIG. 4 is a front view thereof, wherein a rear view is a mirror image of the front view;  
 FIG. 5 is a left side view thereof, wherein a right side view is a mirror image of the left view; and,  
 FIG. 6 is a left side view thereof, showing a solenoid mounted about an exterior surface of the solenoid tube between a coil nut and a hexagon-shaped head of the housing.  
 The broken lines shown in the figures are for the purpose of illustrating environment and form no part of the claimed design.

**1 Claim, 4 Drawing Sheets**

- (56) **References Cited**  
U.S. PATENT DOCUMENTS  
3,890,999 A \* 6/1975 Moskow ..... G05D 16/103  
137/505.25  
D260,280 S \* 8/1981 Campbell ..... D23/237  
4,544,128 A \* 10/1985 Kolchinsky ..... F16K 31/408  
251/129.03



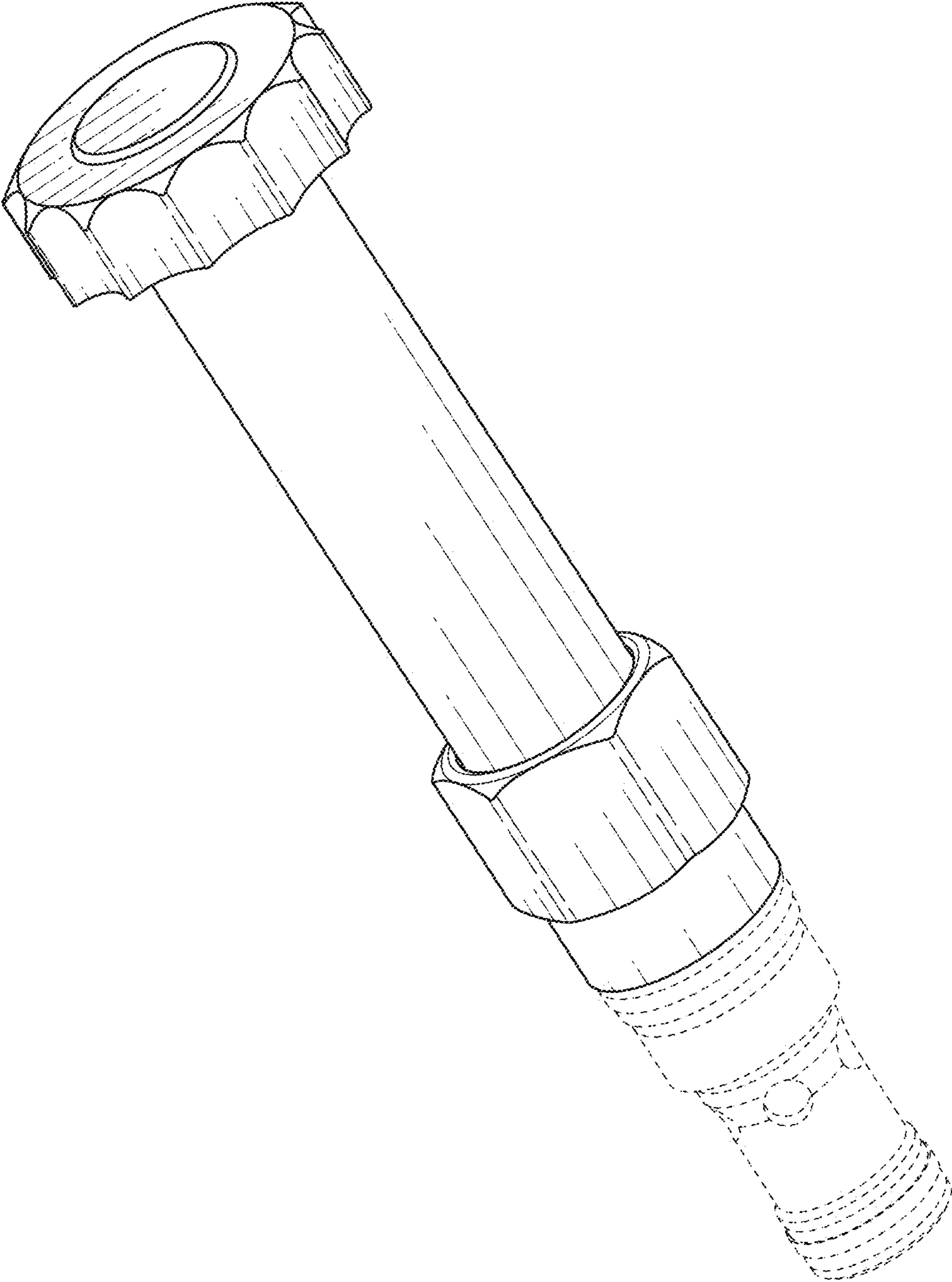


FIG. 1

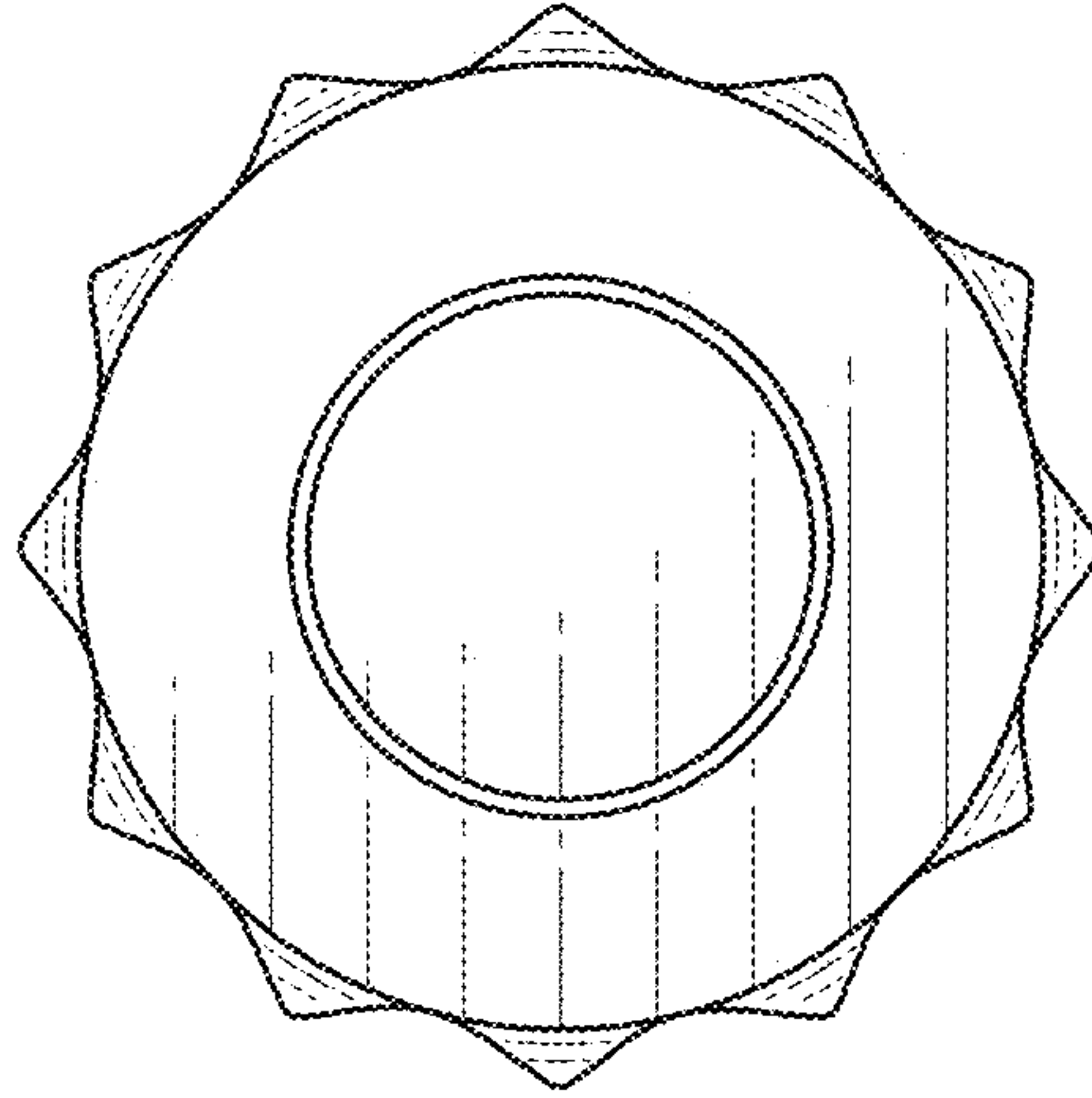


FIG. 2

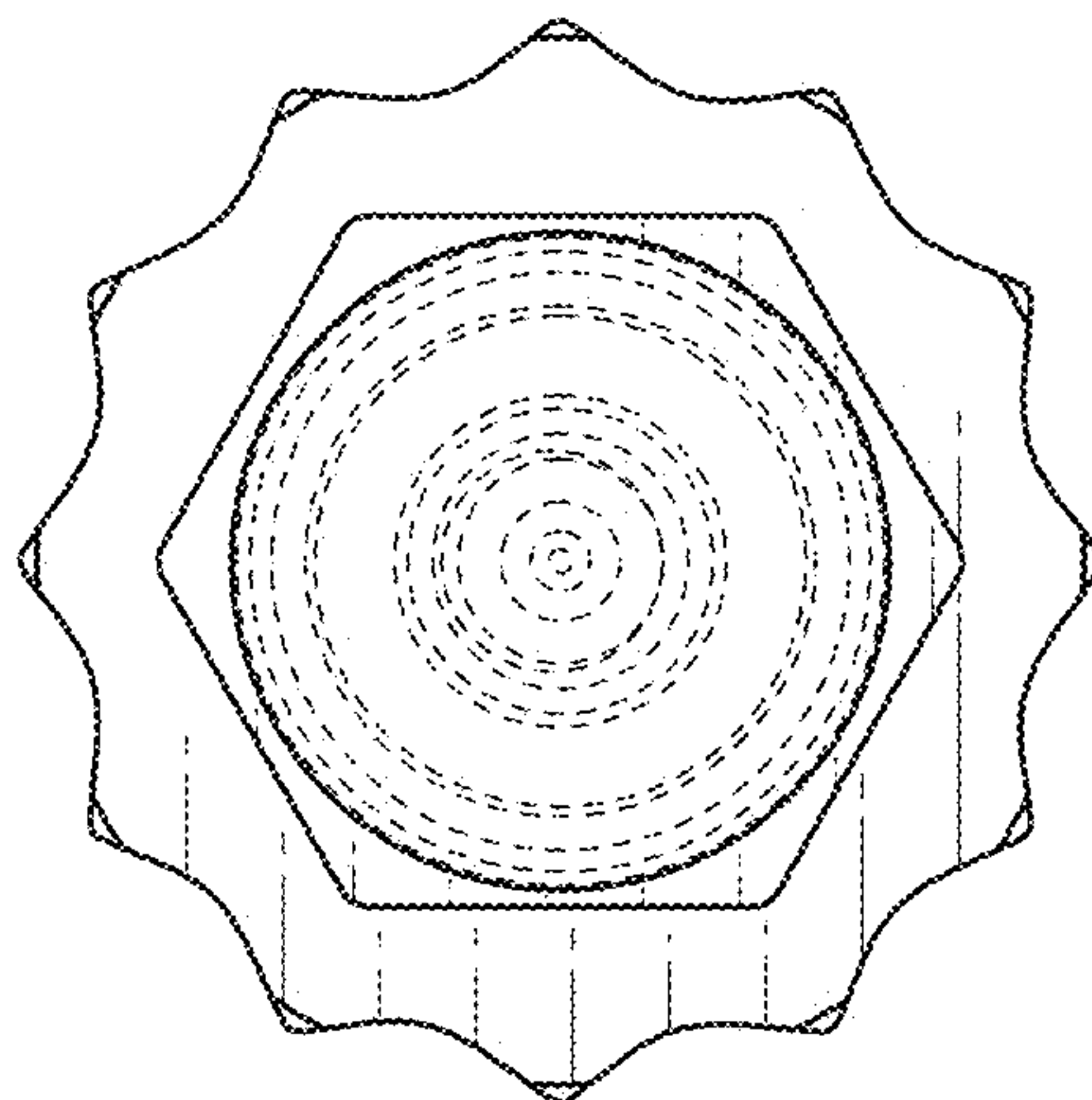


FIG. 3

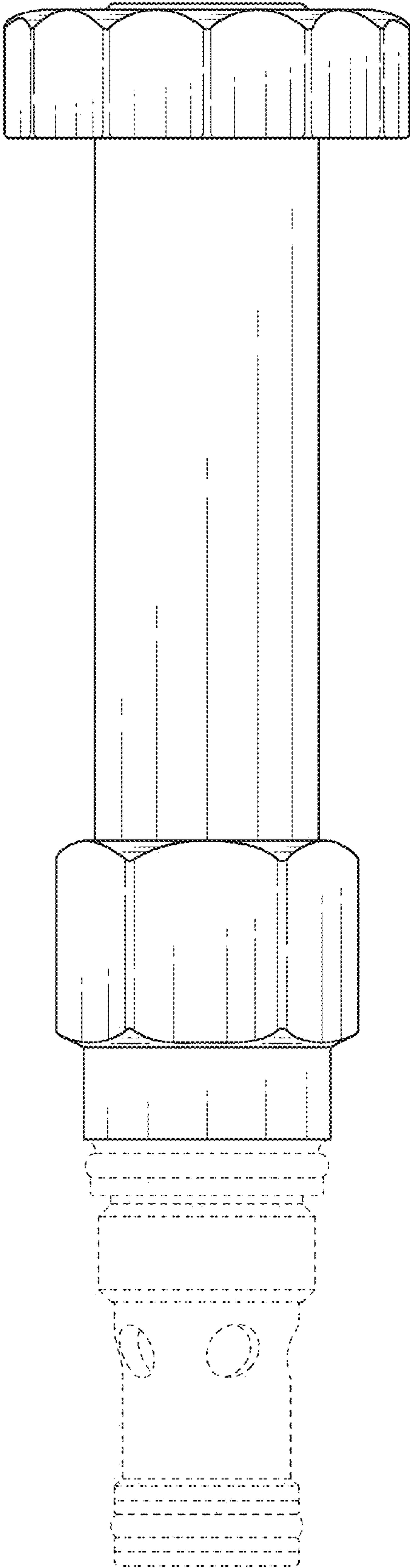


FIG. 4

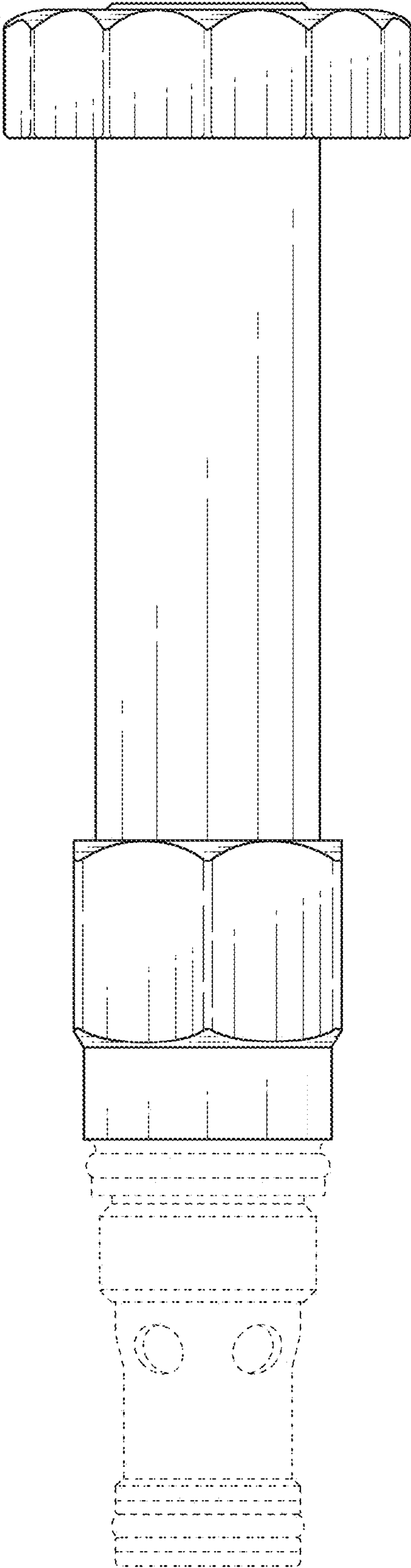


FIG. 5

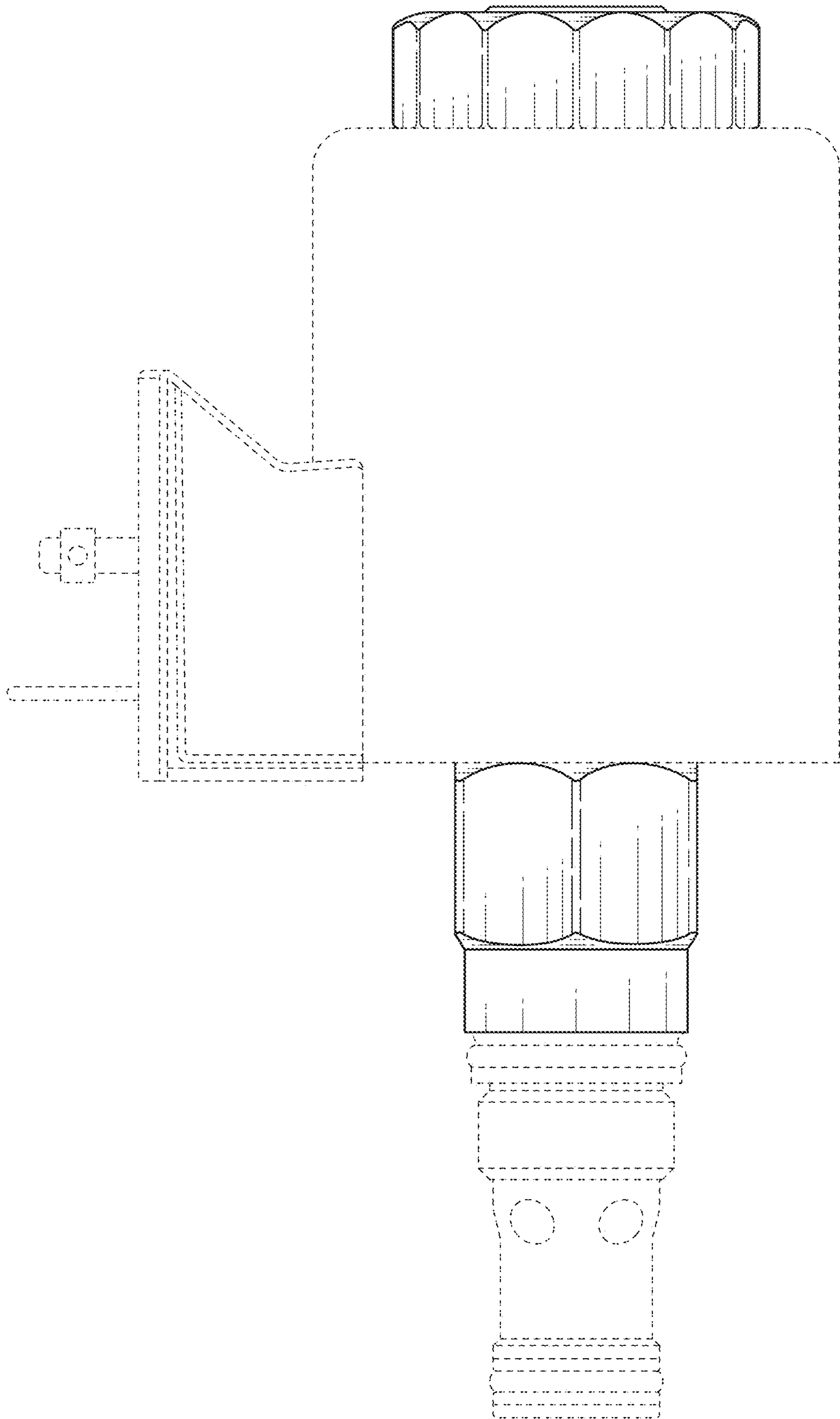


FIG. 6