



US00D872230S

(12) **United States Design Patent** (10) **Patent No.:** **US D872,230 S**
Yamabe et al. (45) **Date of Patent:** **** Jan. 7, 2020**

(54) **SOLENOID VALVE** 8,641,010 B2 * 2/2014 Christensen F16K 31/0675
 251/129.15
 (71) Applicant: **FUJIKOKI CORPORATION**, Tokyo D712,513 S * 9/2014 Kainuma D23/233
 (JP) 9,482,358 B2 * 11/2016 Svensson F16K 31/02
 D791,917 S * 7/2017 Itoh D23/233
 (72) Inventors: **Shimpei Yamabe**, Tokyo (JP); **Kaoru**
Koyatsu, Tokyo (JP) D802,718 S * 11/2017 Kainuma D23/233
 2015/0108382 A1 * 4/2015 Svensson F16K 31/02
 251/129.19

(73) Assignee: **FUJIKOKI CORPORATION**, Tokyo
 (JP)

* cited by examiner

(**) Term: **15 Years**

Primary Examiner — Gino Colan

(21) Appl. No.: **29/653,689**

(74) *Attorney, Agent, or Firm* — Manabu Kanesaka

(22) Filed: **Jun. 18, 2018**

(57) **CLAIM**

(30) **Foreign Application Priority Data**

The ornamental design for solenoid valve, as shown and described.

Feb. 2, 2018 (JP) 2018-002063

(51) **LOC (12) Cl.** **23-01**

(52) **U.S. Cl.**
 USPC **D23/233**

(58) **Field of Classification Search**
 USPC D23/233, 248, 249; 251/129.01, 129.09,
 251/129.15, 129.21

CPC .. F16K 31/0675; F16K 27/029; F16K 27/048;
 F16K 31/06

See application file for complete search history.

(56) **References Cited**

U.S. PATENT DOCUMENTS

6,684,901 B1 * 2/2004 Cahill F16K 31/0655
 251/129.15
 8,382,062 B2 * 2/2013 Christensen F16K 31/0675
 251/129.15

DESCRIPTION

FIG. 1 is a first perspective view of a solenoid valve showing our new design;
 FIG. 2 is a second perspective view thereof;
 FIG. 3 is a front view thereof;
 FIG. 4 is a rear view thereof;
 FIG. 5 is a top view thereof;
 FIG. 6 is a bottom view thereof;
 FIG. 7 is a right side view thereof; and,
 FIG. 8 is a left side view thereof.
 The broken lines depict portions of the solenoid valve that form no part of claimed design.

1 Claim, 8 Drawing Sheets

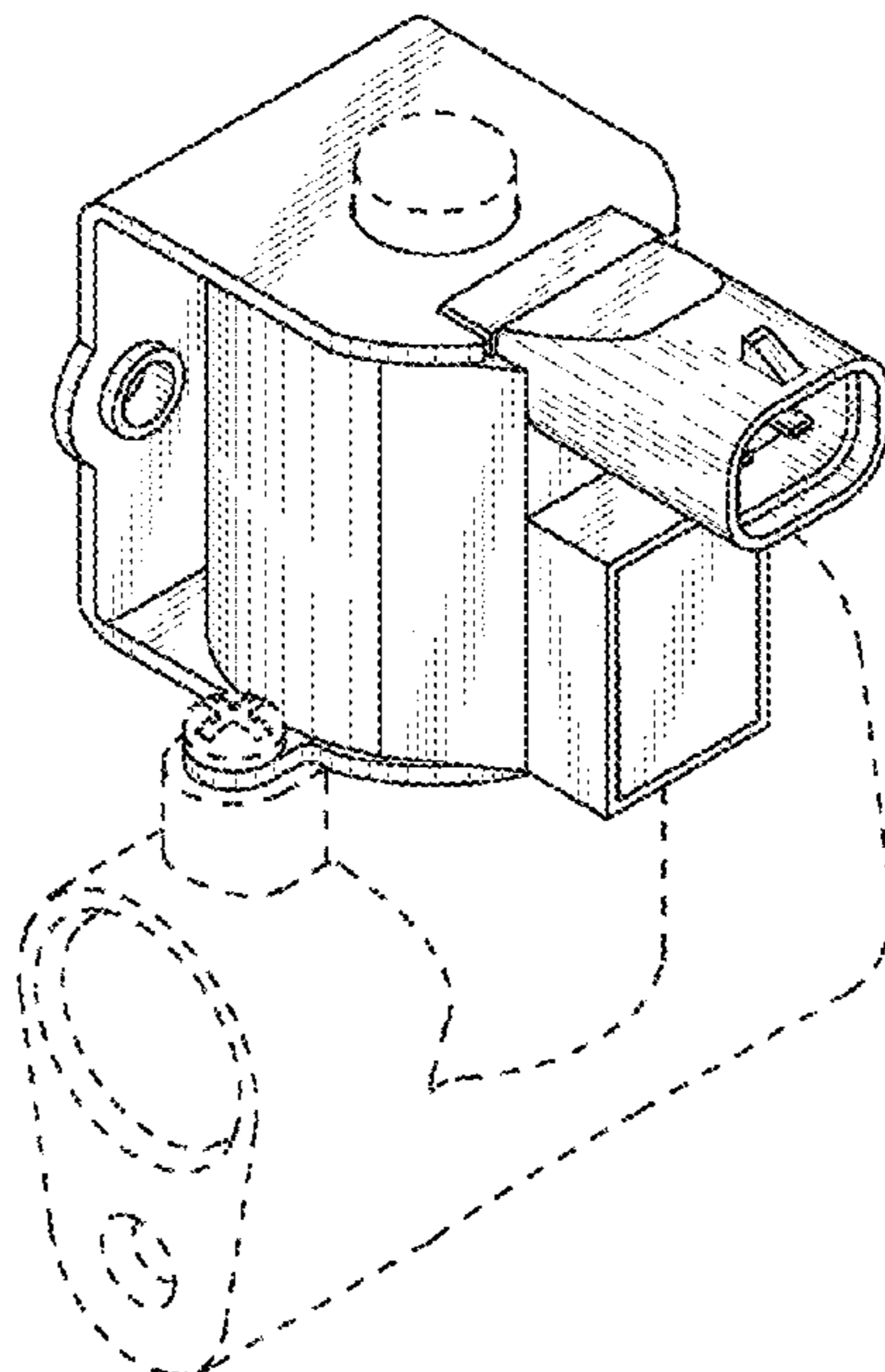


FIG. 1

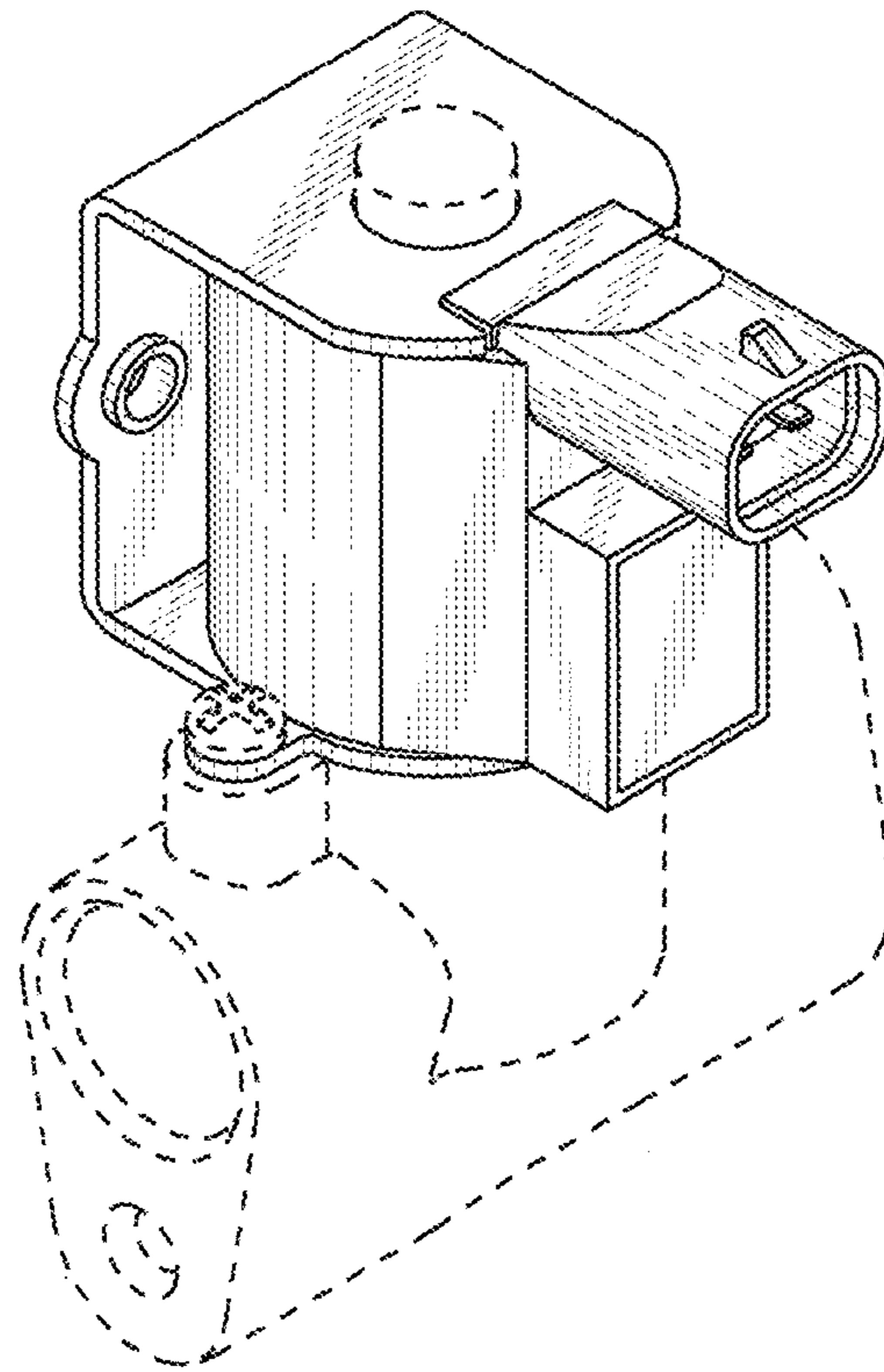


FIG. 2

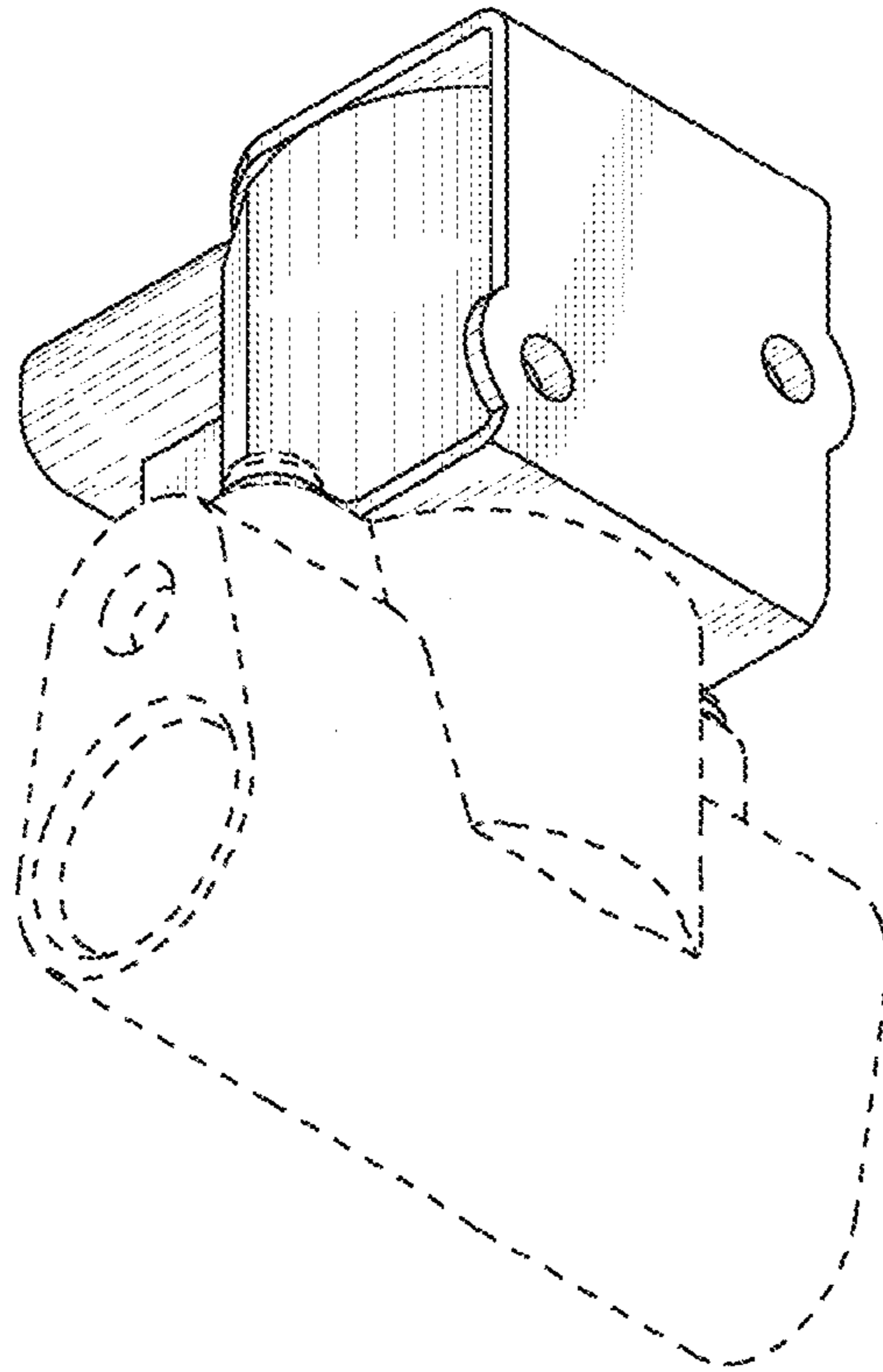


FIG. 3

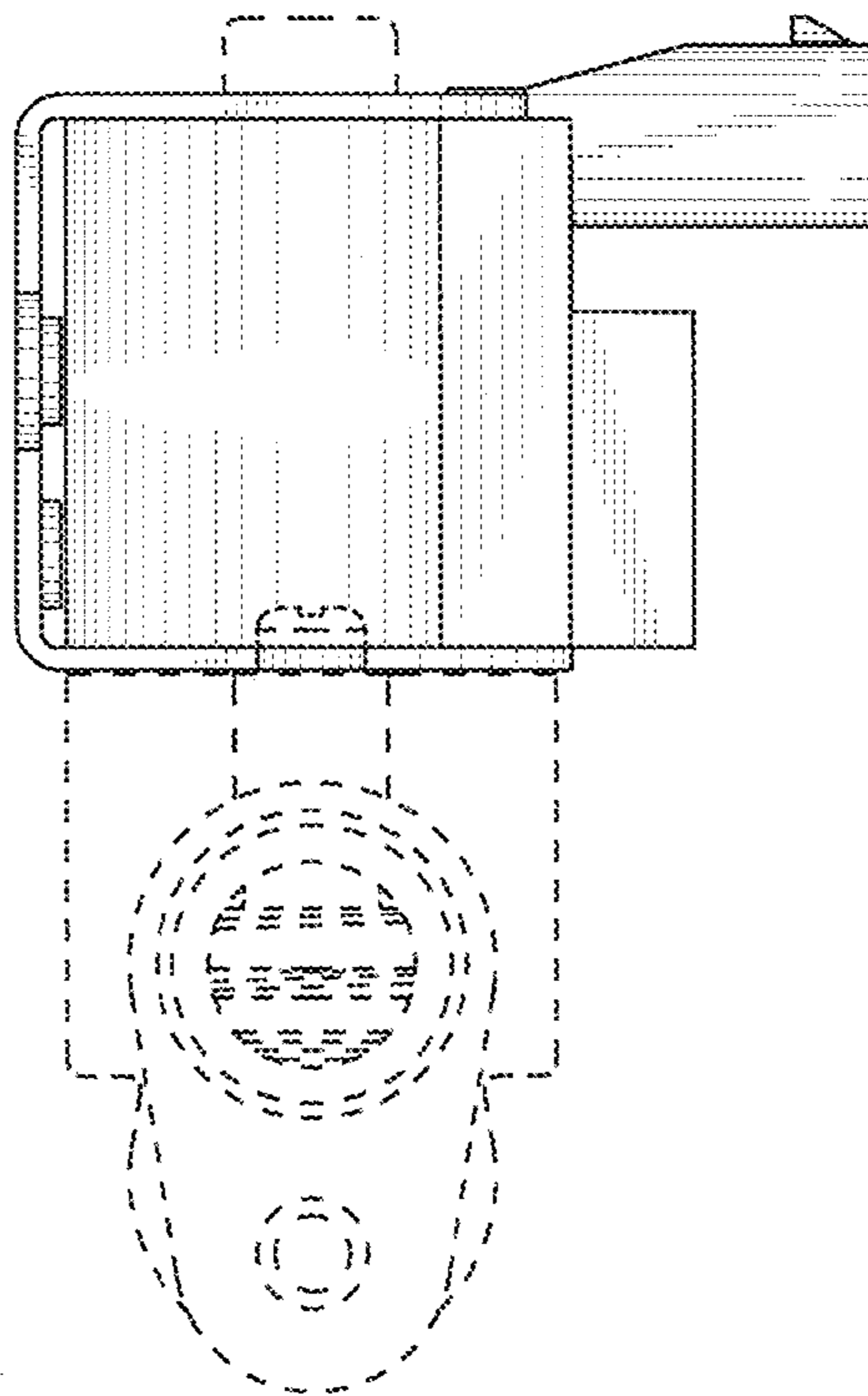


FIG. 4

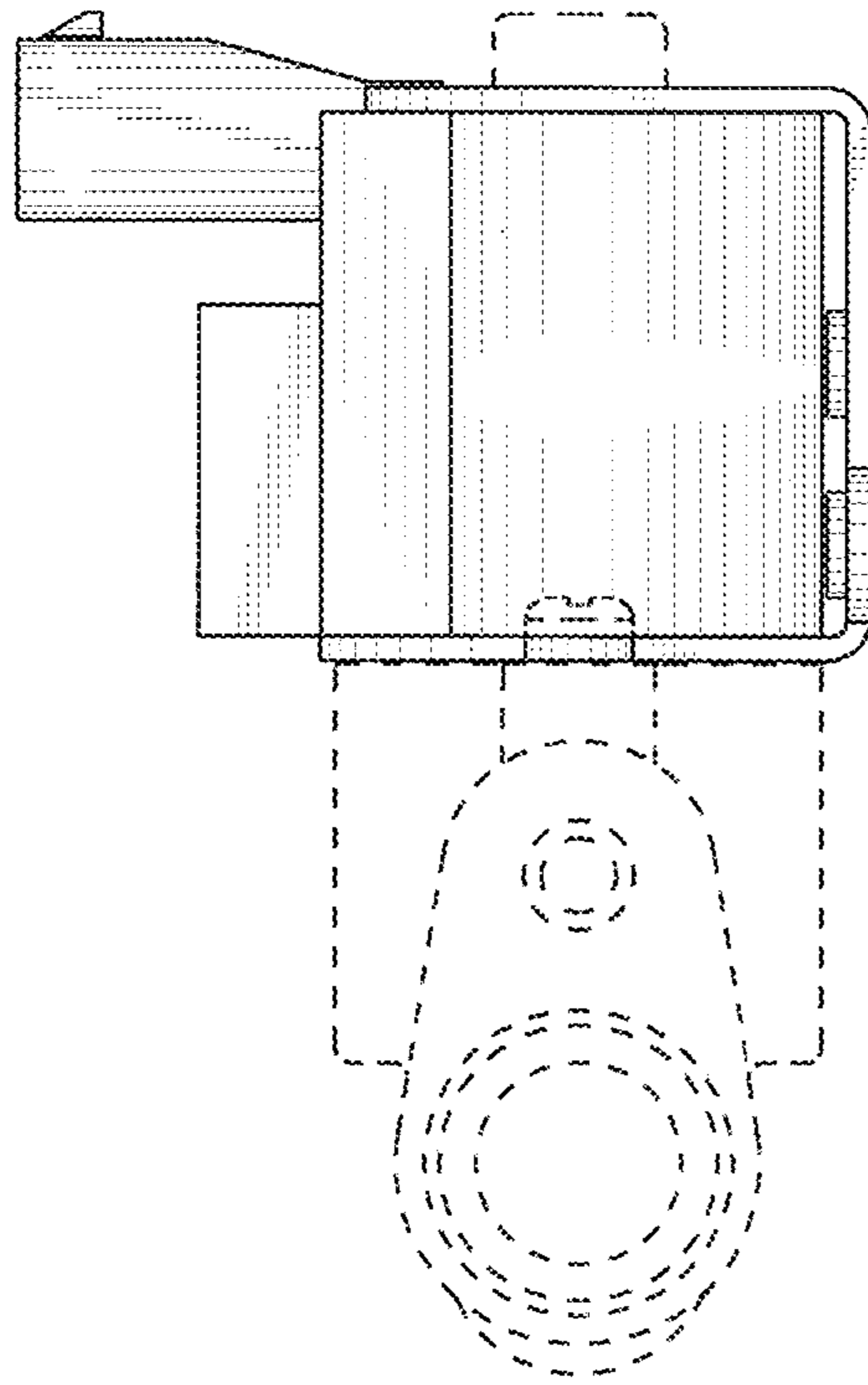


FIG. 5

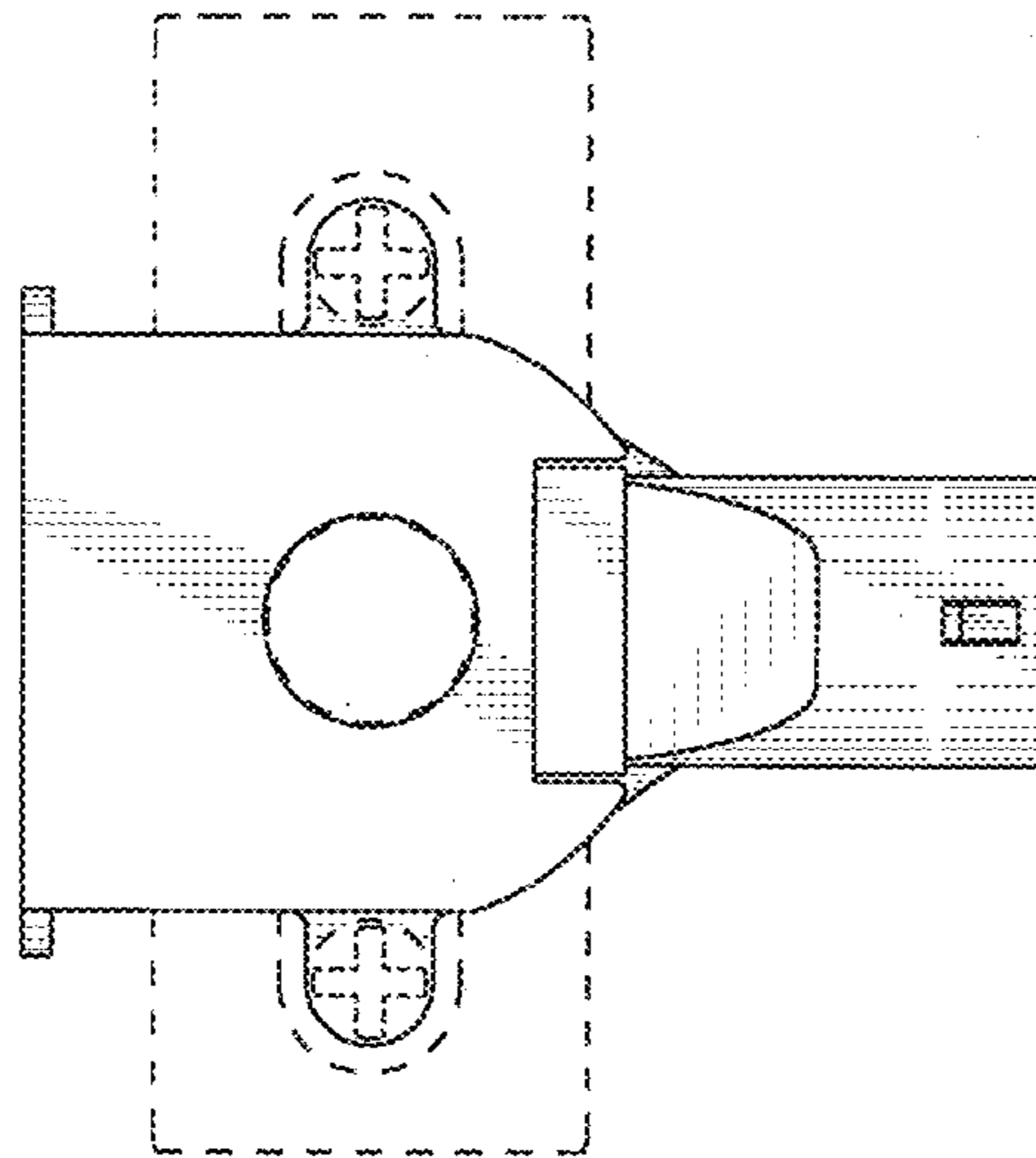


FIG. 6

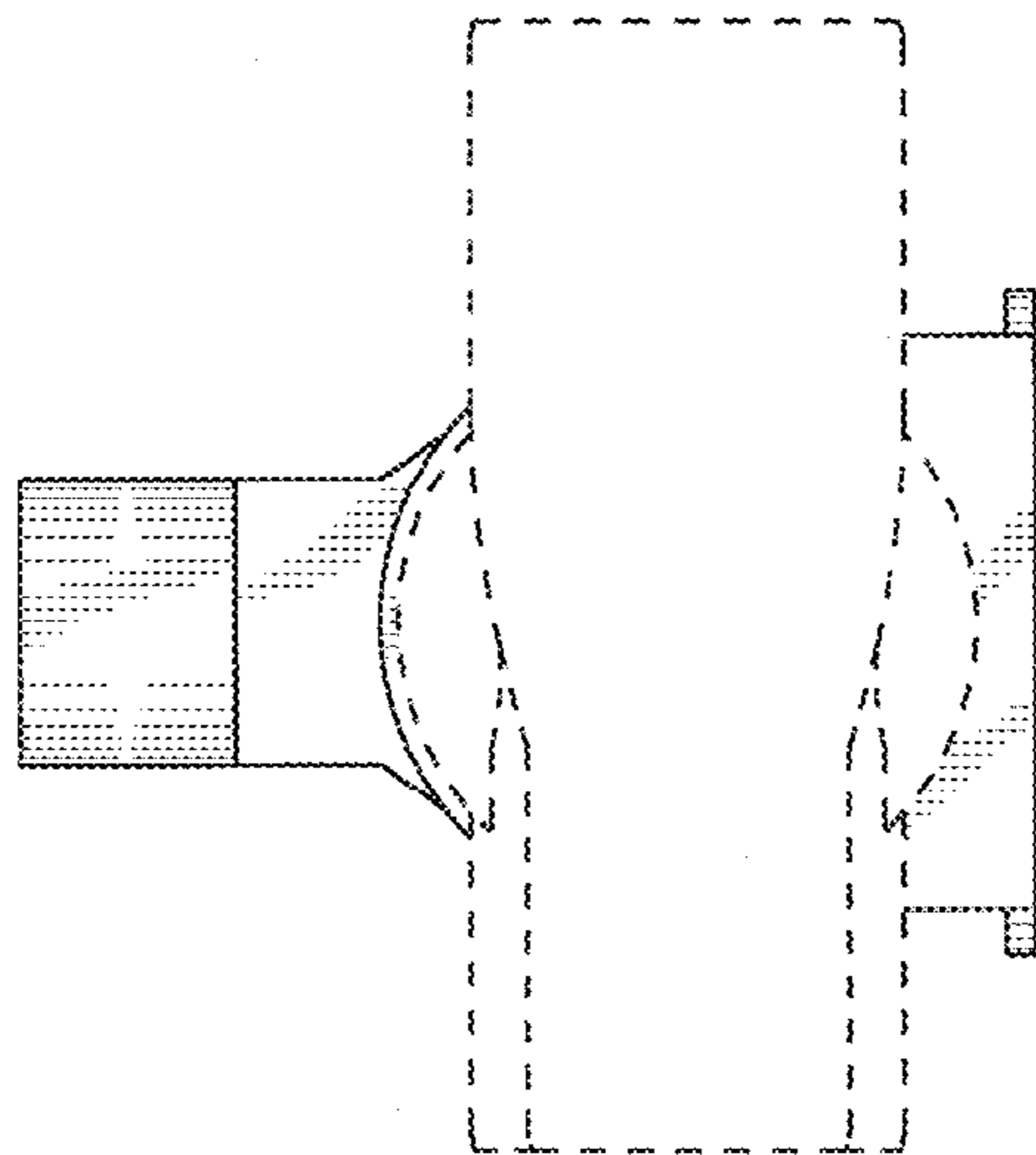


FIG. 7

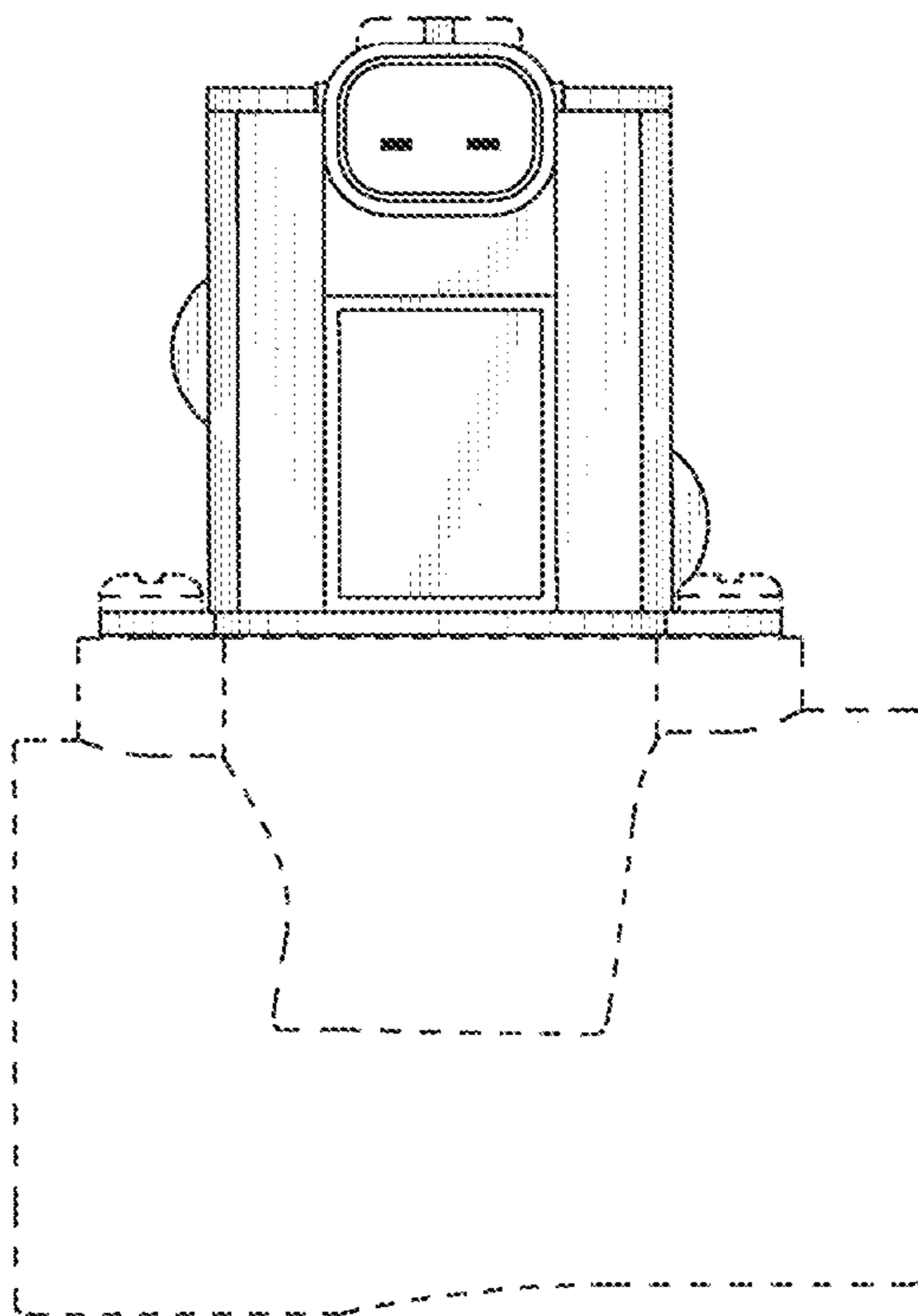


FIG. 8

