



US00D872226S

(12) **United States Design Patent**
Stein

(10) **Patent No.:** **US D872,226 S**

(45) **Date of Patent:** **** Jan. 7, 2020**

(54) **FAUCET STREAM STRAIGHTENER**

(71) Applicant: **NEOPERL GMBH**, Müllheim (DE)

(72) Inventor: **Alexander Stein**, Ihringen (DE)

(73) Assignee: **Neoperl GmbH**, Müllheim (DE)

(**) Term: **15 Years**

(21) Appl. No.: **35/505,526**

(22) Filed: **Jul. 24, 2018**

(80) **Hague Agreement Data**

Int. Filing Date: **Jul. 24, 2018**

Int. Reg. No.: **DM/102332**

Int. Reg. Date: **Jul. 24, 2018**

Int. Reg. Pub. Date: **Aug. 24, 2018**

(51) **LOC (12) Cl.** **23-02**

(52) **U.S. Cl.**
USPC **D23/213**

(58) **Field of Classification Search**

USPC D23/213, 221, 233, 235, 247, 249, 264

CPC B05B 7/0425; E03C 1/08; E03C 1/084;
E03C 1/086; E03C 2001/026

See application file for complete search history.

(56) **References Cited**

U.S. PATENT DOCUMENTS

D536,417 S * 2/2007 Buttgen D23/213
D537,916 S * 3/2007 Buttgen D23/213

D577,416 S * 9/2008 Buttgen D23/213
D754,282 S * 4/2016 Blum D23/213
D809,094 S * 1/2018 Naslund D23/213
D837,933 S * 1/2019 Carroll D23/213
D839,385 S * 1/2019 Vogeli D23/213
D842,431 S * 3/2019 Cacka D23/213
D855,756 S * 8/2019 Blum D23/213

* cited by examiner

Primary Examiner — Khawaja Anwar

(74) *Attorney, Agent, or Firm* — Volpe and Koenig, P.C.

(57) **CLAIM**

The ornamental design for faucet stream straightener, as shown and described.

DESCRIPTION

1. Faucet stream straightener

1.1 : Top

1.2 : Perspective

1.3 : Bottom

1.4 : Perspective

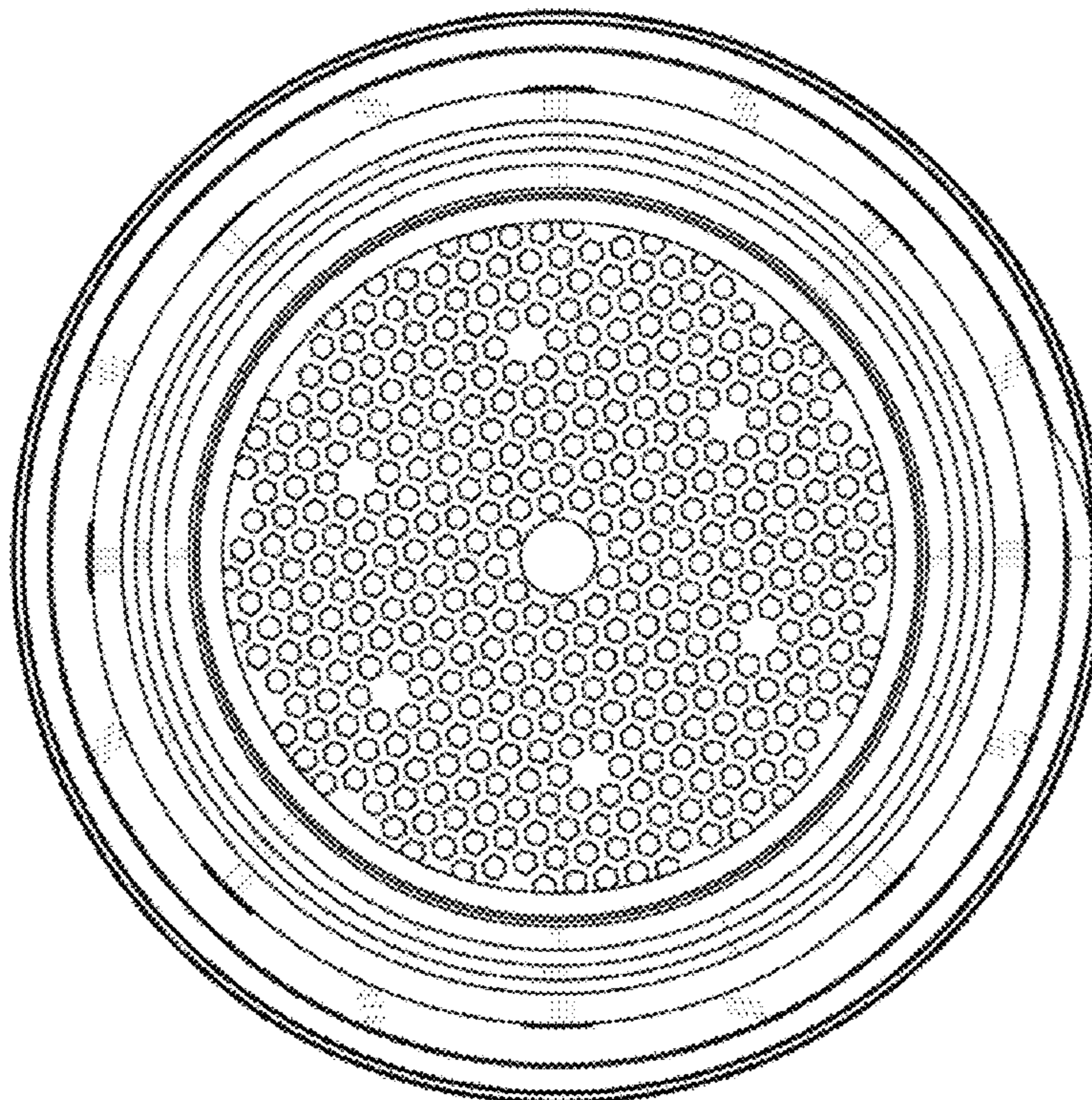
1.5 : Left

1.6 : Front

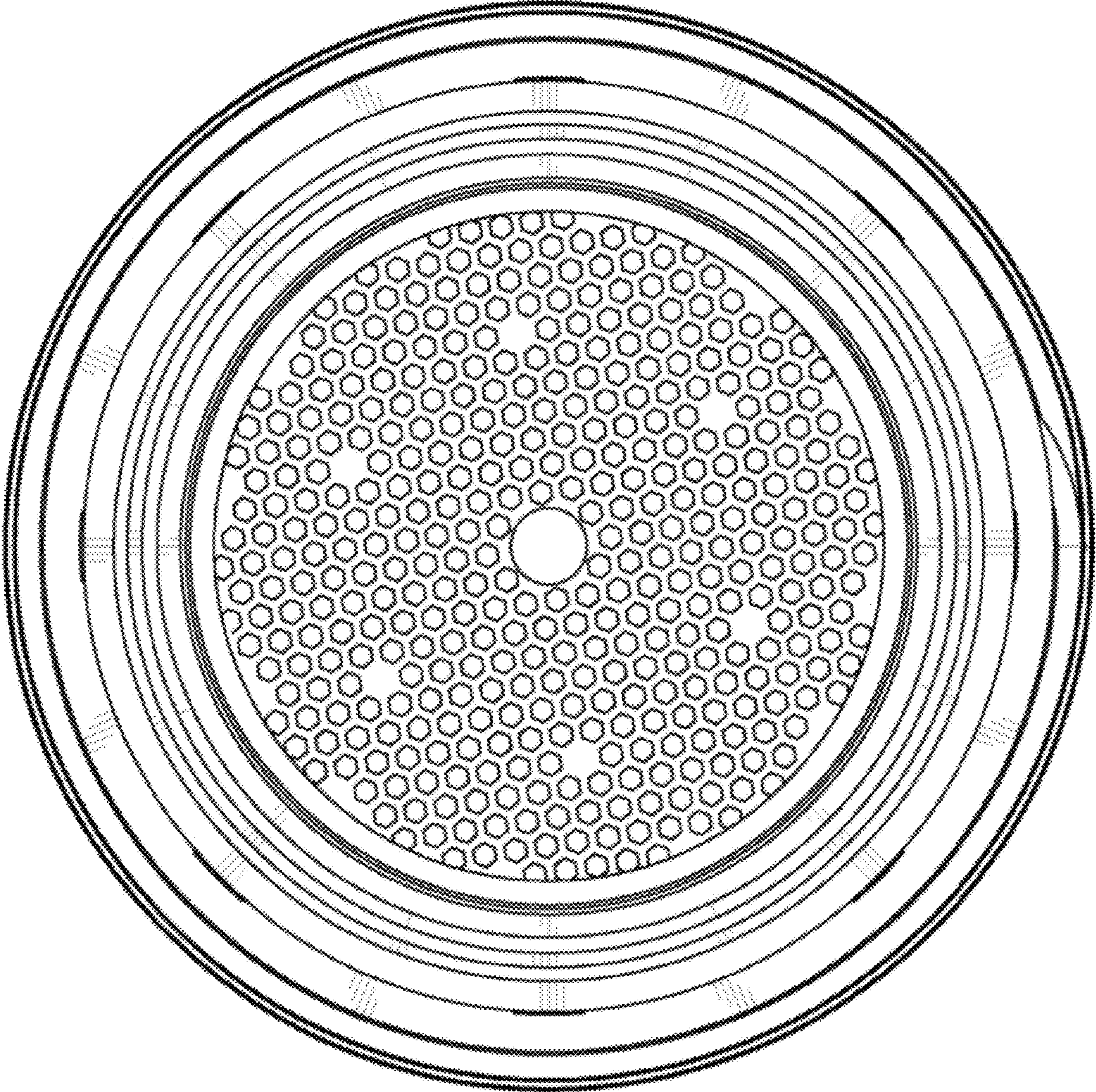
1.7 : Right

1.8 : Back

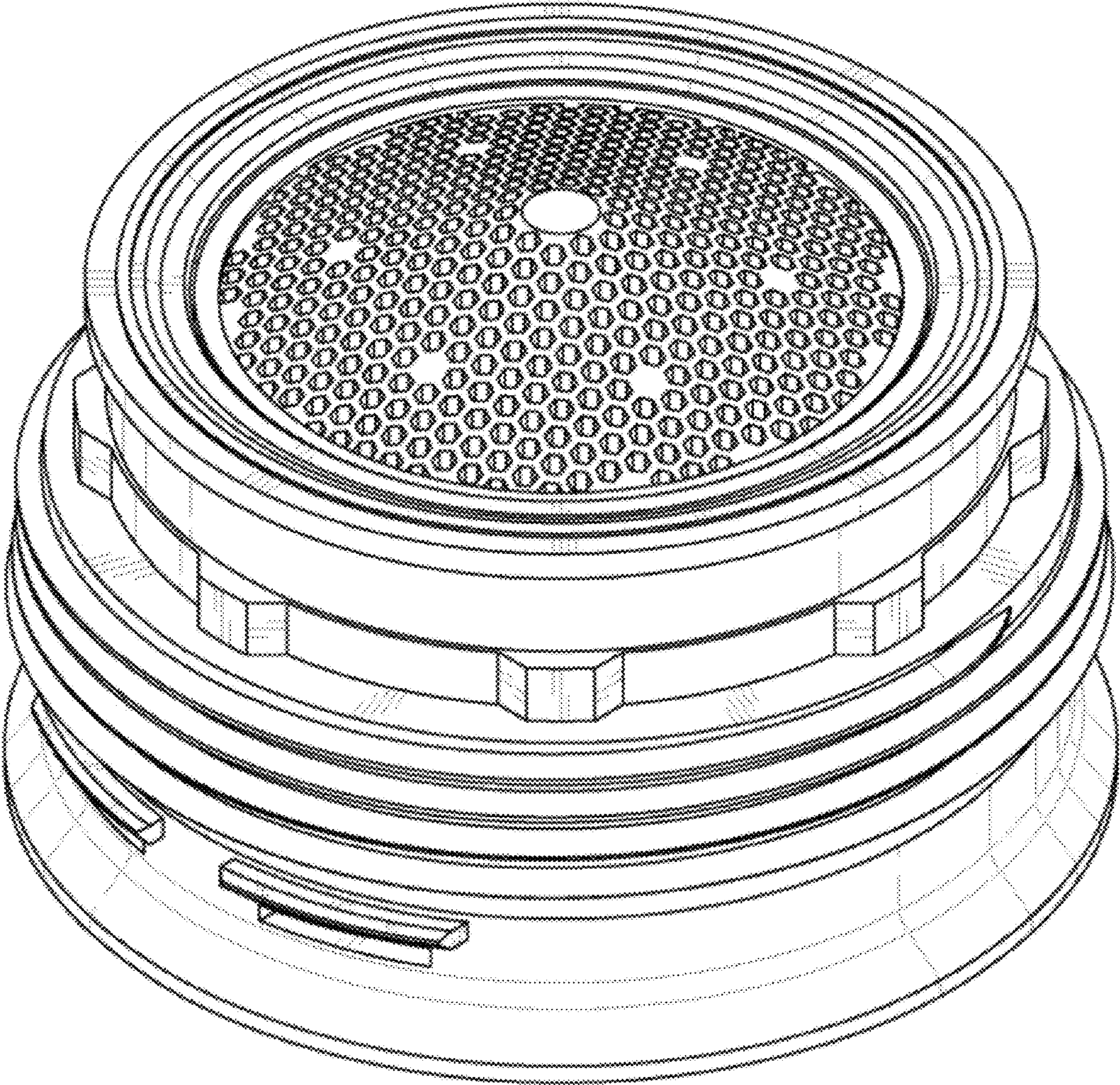
1 Claim, 8 Drawing Sheets



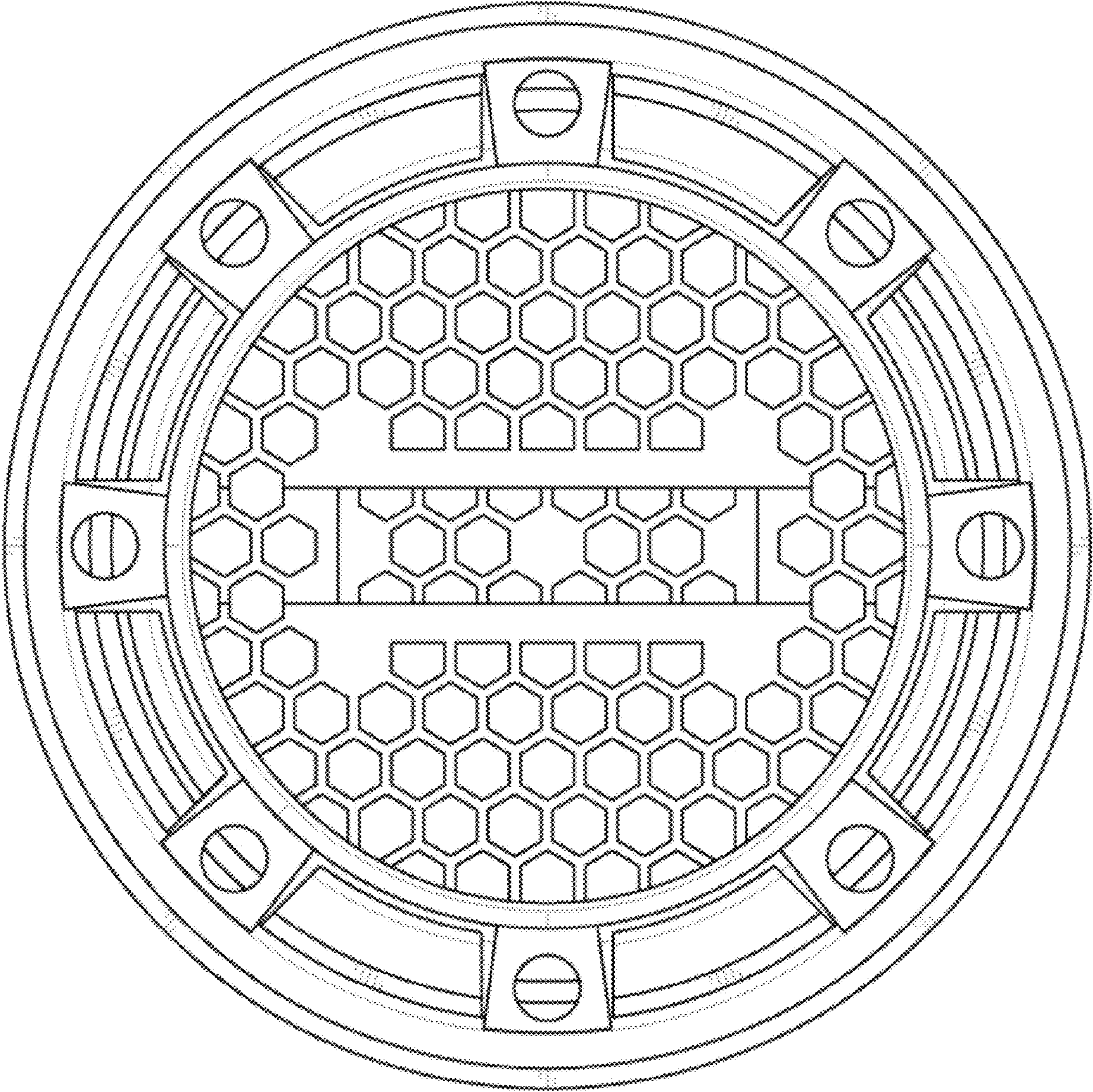
1.1



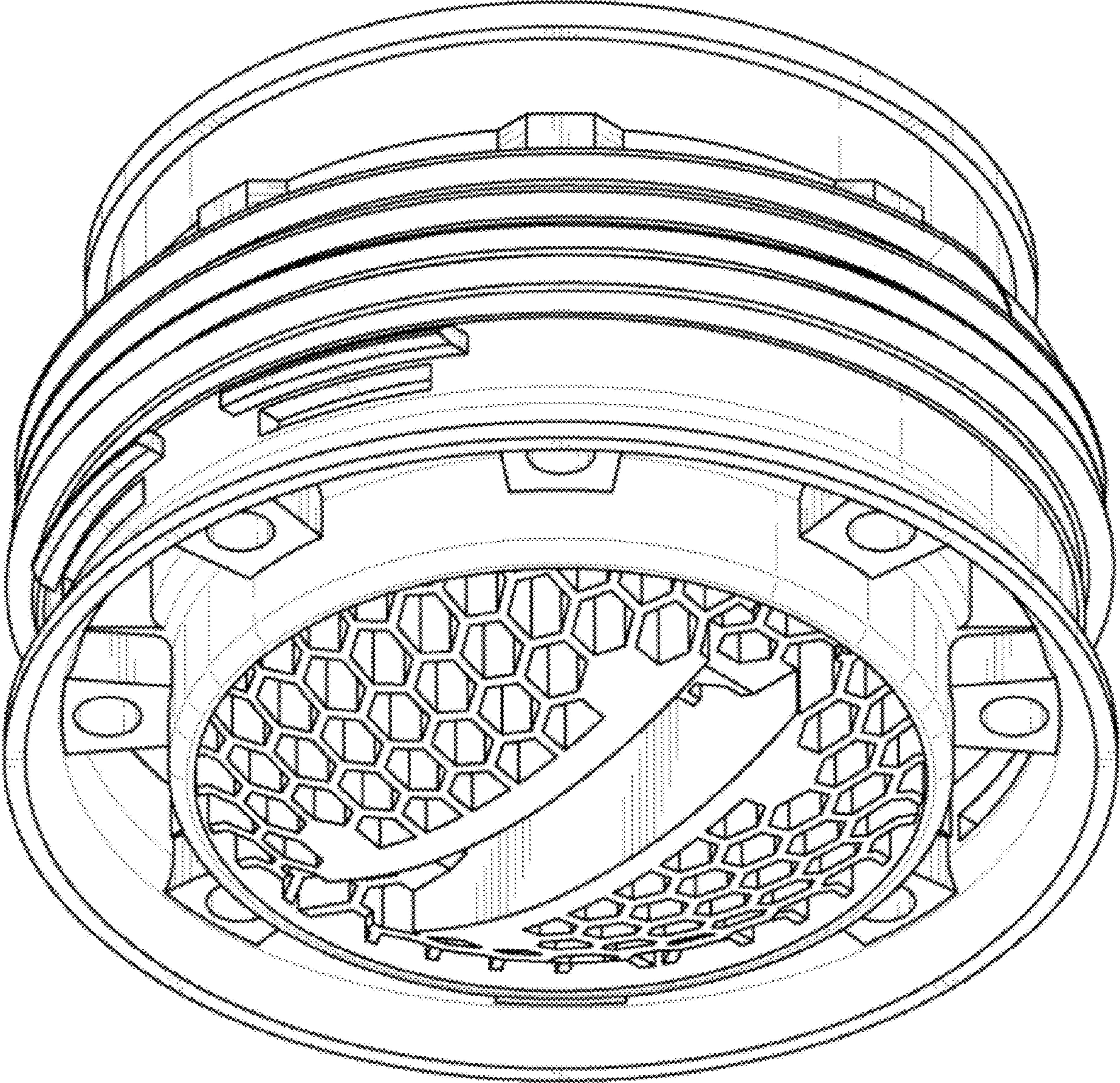
1.2



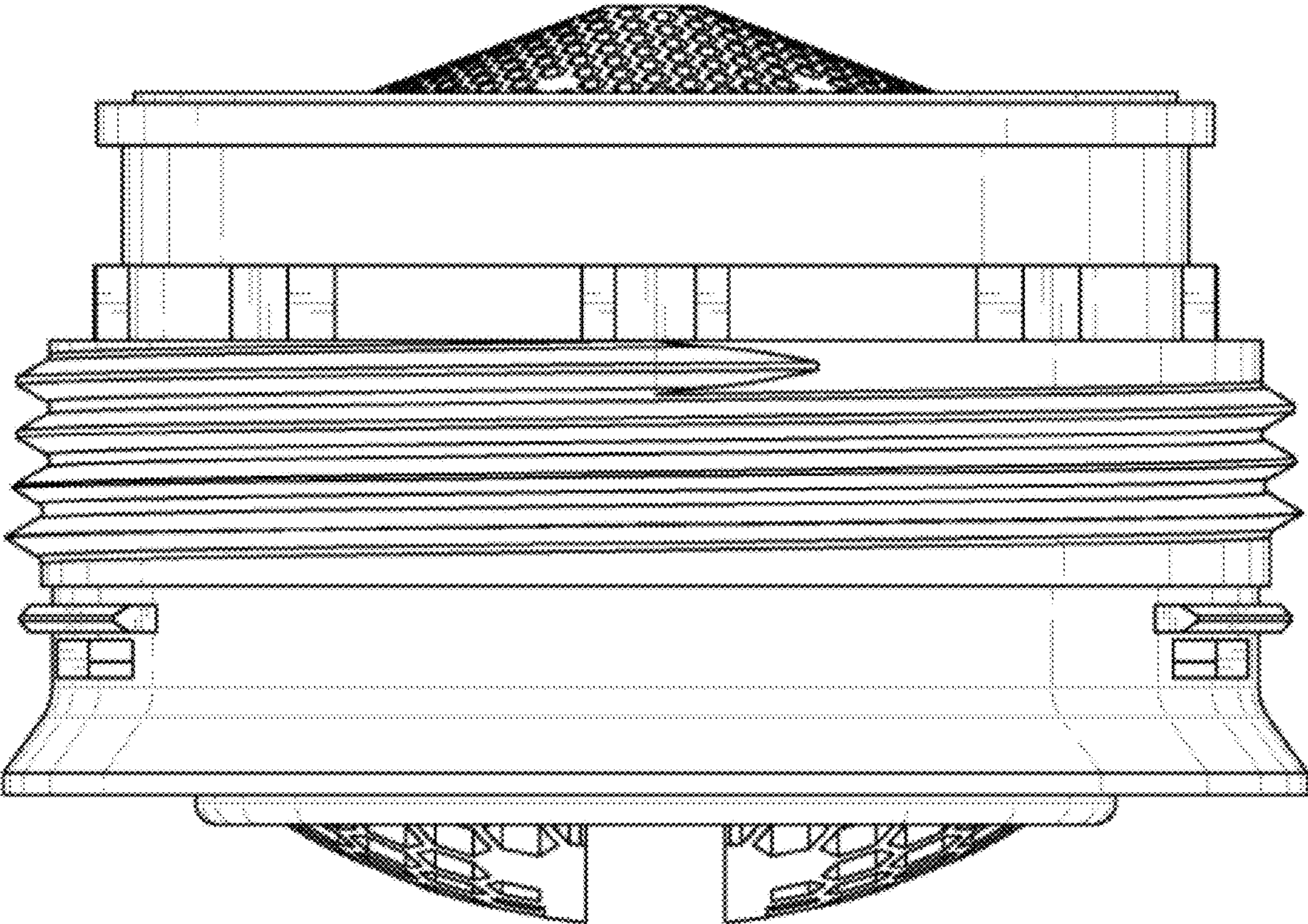
1.3



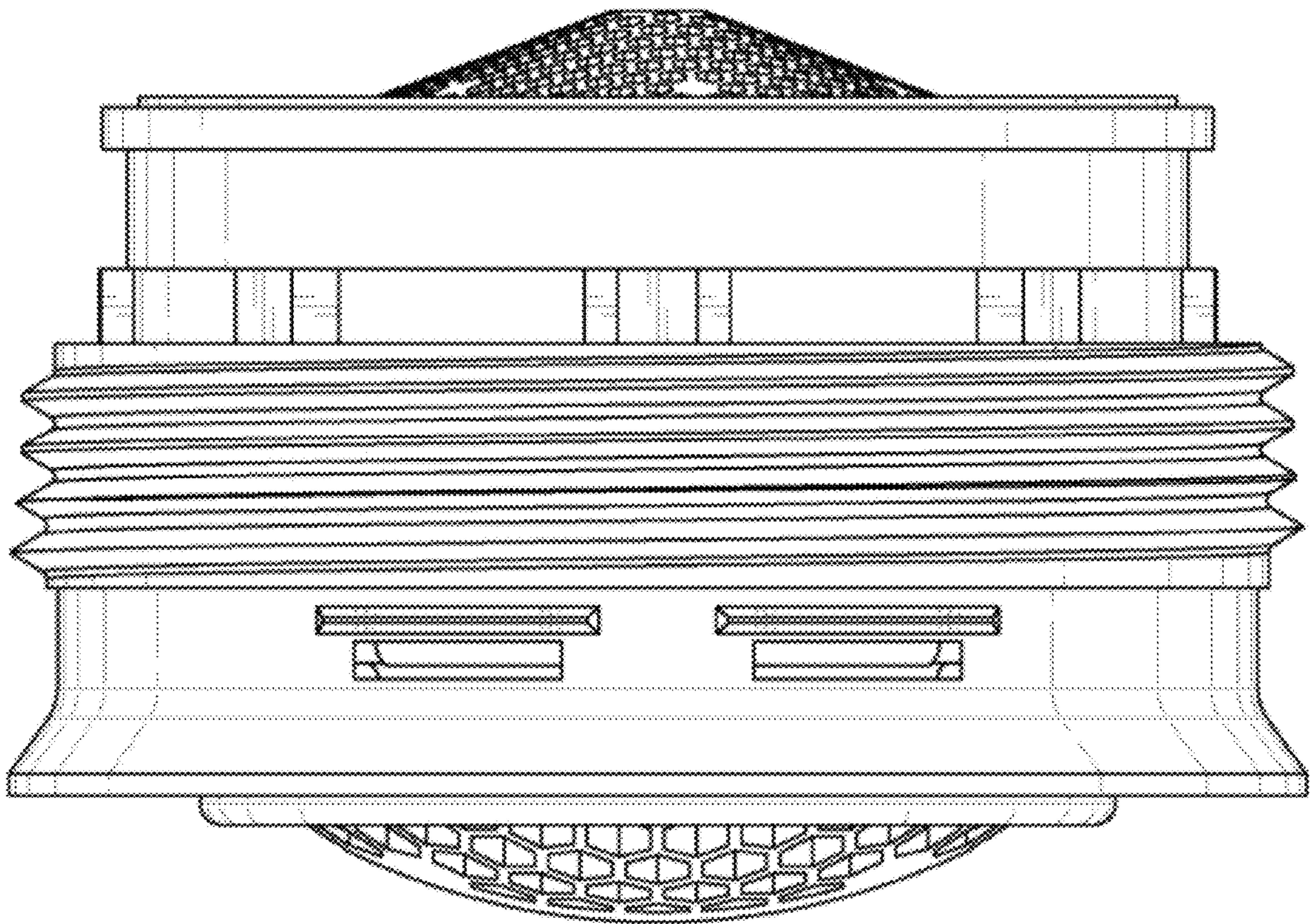
1.4



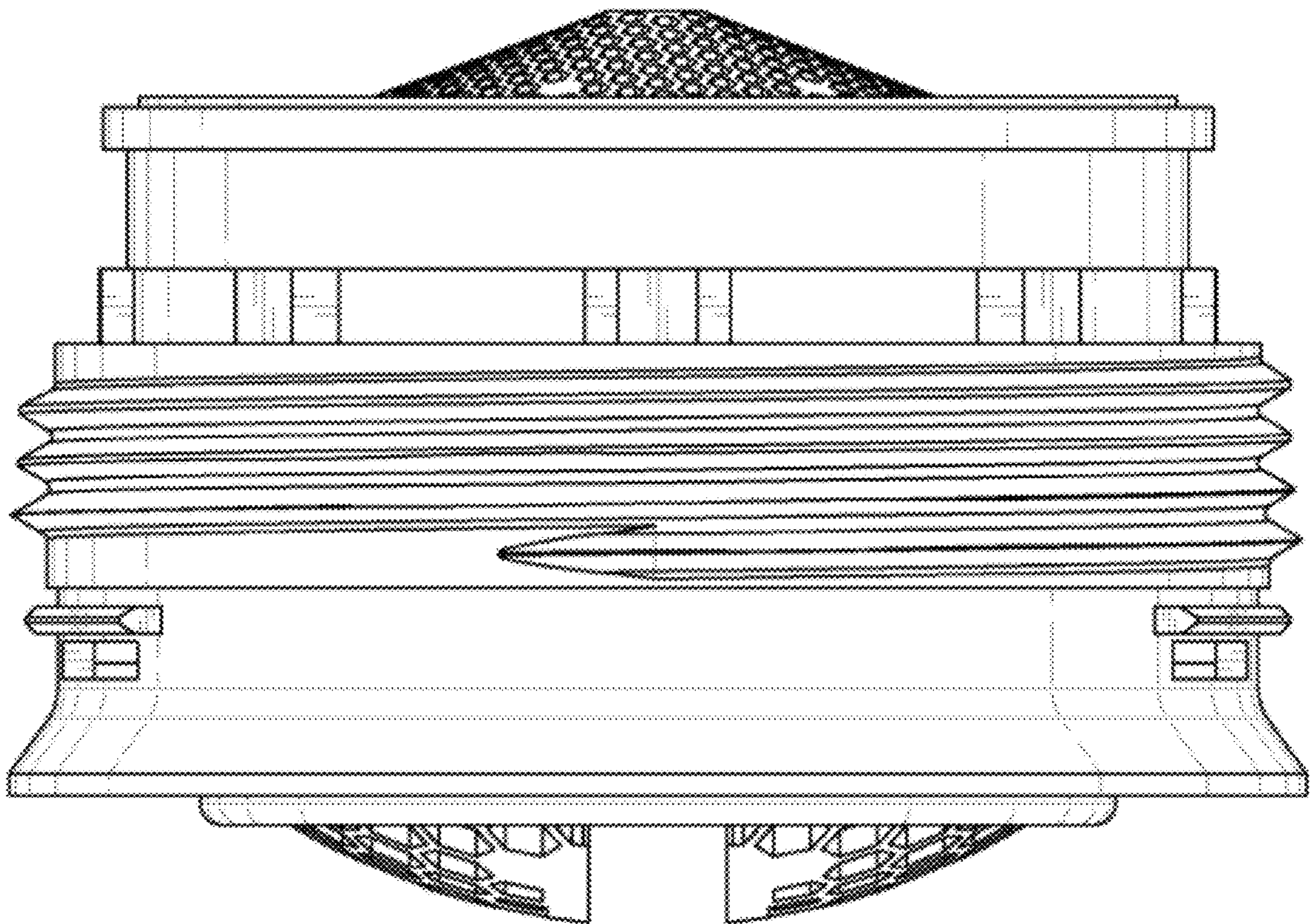
1.5



1.6



1.7



1.8

