



US00D872225S

(12) **United States Design Patent** (10) **Patent No.:** **US D872,225 S**  
**Joo et al.** (45) **Date of Patent:** **\*\* Jan. 7, 2020**

(54) **WATER PURIFIER**

(74) *Attorney, Agent, or Firm* — Birch, Stewart, Kolasch & Birch, LLP

(71) Applicant: **LG ELECTRONICS INC.**, Seoul (KR)

(57) **CLAIM**

(72) Inventors: **Junghyun Joo**, Seoul (KR);  
**Hyoungwon Roh**, Seoul (KR);  
**Youngjee Son**, Seoul (KR);  
**Myungwhoon Lee**, Seoul (KR)

The ornamental design for a water purifier, as shown and described.

(73) Assignee: **LG ELECTRONICS INC.**, Seoul (KR)

**DESCRIPTION**

(\*\*) Term: **15 Years**

- 1. Water purifier
- 1.1 : Perspective
- 1.2 : Front
- 1.3 : Back
- 1.4 : Left
- 1.5 : Right
- 1.6 : Top
- 1.7 : Bottom
- 1.8 : Perspective view 2
- 1.9 : Front view 2
- 1.10 : Back view 2
- 1.11 : Left view 2
- 1.12 : Right view 2
- 1.13 : Top view 2
- 1.14 : Bottom view 2
- 1.15 : Perspective view 3
- 1.16 : Front view 3
- 1.17 : Back view 3
- 1.18 : Left view 3
- 1.19 : Right view 3
- 1.20 : Top view 3
- 1.21 : Bottom view 3

(21) Appl. No.: **35/506,200**

(22) Filed: **Jun. 11, 2018**

(80) **Hague Agreement Data**

Int. Filing Date: **Jun. 11, 2018**  
Int. Reg. No.: **DM/101774**  
Int. Reg. Date: **Jun. 11, 2018**  
Int. Reg. Pub. Date: **Dec. 14, 2018**

(30) **Foreign Application Priority Data**

Dec. 13, 2017 (WO) ..... 30-2017-0059085

(51) **LOC (12) Cl.** ..... **23-02**

(52) **U.S. Cl.**  
USPC ..... **D23/207**

(58) **Field of Classification Search**  
USPC ..... D23/207, 209; D7/306, 309

(Continued)

(56) **References Cited**

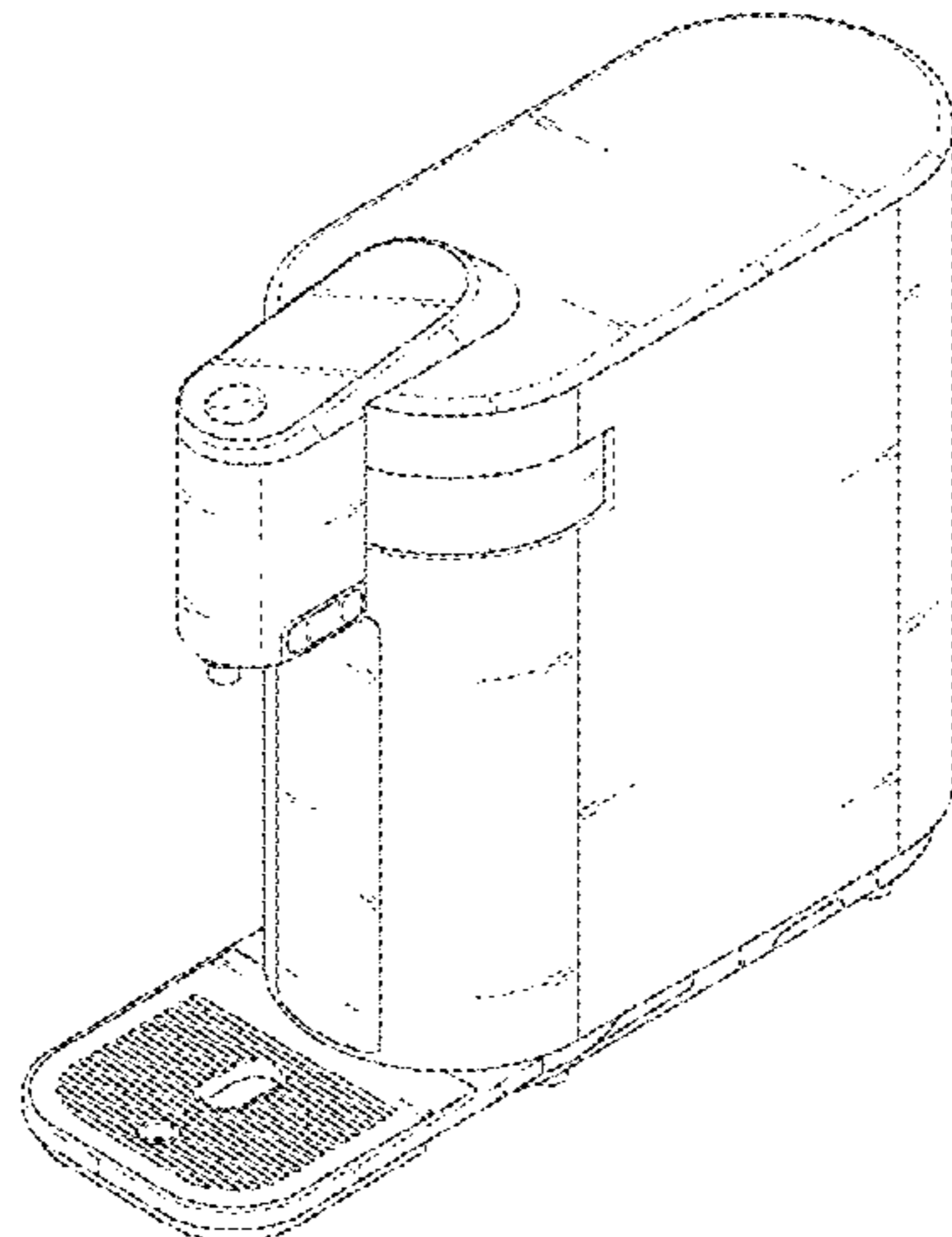
**U.S. PATENT DOCUMENTS**

D674,231 S \* 1/2013 Wilder ..... D7/306  
D718,414 S \* 11/2014 Lo ..... D23/207  
(Continued)

*Primary Examiner* — Khawaja Anwar

The broken lines depict portions of the water purifier that form no part of the claimed design; reproduction 1.1 is a front perspective view of the water purifier; reproduction 1.8 is a front perspective view in a condition that the outlet has been rotated to the right; reproduction 1.15 is a front perspective view in a condition that the outlet has been rotated to the right and then extended downwards; reproductions 1.2 to 1.7, 1.9 to 1.14 and 1.16 to 1.21 are the front, back, left, right, top and bottom views of reproduction 1.1, 1.8 and 1.15, respectively; this design is for a water purifier which can be installed regardless of the place due to the outlet which can be rotated as shown in reproduction 1.8; the

(Continued)



outlet is also extendable downward as shown in reproduction 1.15, which allows to pour the water into containers of various sizes.

**1 Claim, 21 Drawing Sheets**

(58) **Field of Classification Search**

CPC ..... B01D 2258/06; B01D 2257/708; B01D 53/8687; B01D 2255/1021; B01D 2255/2073; B01D 2255/20761; B01D 2257/91; B01D 2259/4508; B01D 2317/02; B01D 2321/04; B01D 2321/12; B01D 46/2403; B01D 53/86; B01D 61/42; B01D 61/52; B01D 61/54; B01D 65/02; B01D 19/0031; B01D 19/0068; B01D 1/0064; B01D 2046/2433; B01D 21/0009; B01D 21/01; B01D 21/262; B01D 2201/301; B01D 2201/302; B01D 2201/347; B01D 2201/4061; B01D 2239/0618; B01D 2239/0681; B01D 2239/083; B01D 2239/1233; B01D 2251/11; B01D 2253/102; B01D 2253/104; B01D 2253/106; B01D 2253/108; B01D 2253/25; B01D 2253/3425; B01D 2255/1023; B01D 2255/1025; B01D 2255/104; B01D 2255/106; B01D 2255/2022; B01D 2255/2025; B01D 2255/2027; B01D 2255/2047; B01D 2255/2065; B01D 2255/207; B01D 2255/20707; B01D 2255/20715; B01D 2255/20723; B01D 2255/20738; B01D 2255/20746; B01D 2255/2092; B01D 2255/2094; B01D 2255/30; B01D 2255/40; B01D 2255/50; B01D 2255/70; B01D 2255/802; B01D 2255/9155; B01D 2255/9207; B01D 2256/16; B01D 2257/2064; B01D 2257/30; B01D 2257/306; B01D

2257/402; B01D 2257/502; B01D 2257/504; B01D 2257/93; B01D 2259/4566; B01D 2259/4575; B01D 2259/802; B01D 2259/818; B01D 2273/30; B01D 2275/10; B01D 2313/22; B01D 2313/24; B01D 2313/40; B01D 2325/34; B01D 2325/42; B01D 29/15; B01D 29/60; B01D 35/147; B01D 35/157; B01D 35/30; B01D 35/306; B01D 36/00; B01D 37/04; B01D 39/163; B01D 3/145; B01D 45/14; B01D 46/0086; B01D 46/2429; B01D 46/2455; B01D 46/42; B01D 46/444; B01D 46/446; B01D 53/007; B01D 53/0407; B01D 53/047; B01D 53/261; B01D 53/32; B01D 53/346; B01D 53/8668; B01D 53/8675; B01D 5/0072; B01D 61/08; B01D 61/18; B01D 61/22; B01D 61/364; B01D 61/366; B01D 61/368; B01D 63/02; B01D 63/06; B01D 63/14; B01D 69/10; B01D 69/12; B01D 71/32; B01D 71/82

See application file for complete search history.

(56)

**References Cited**

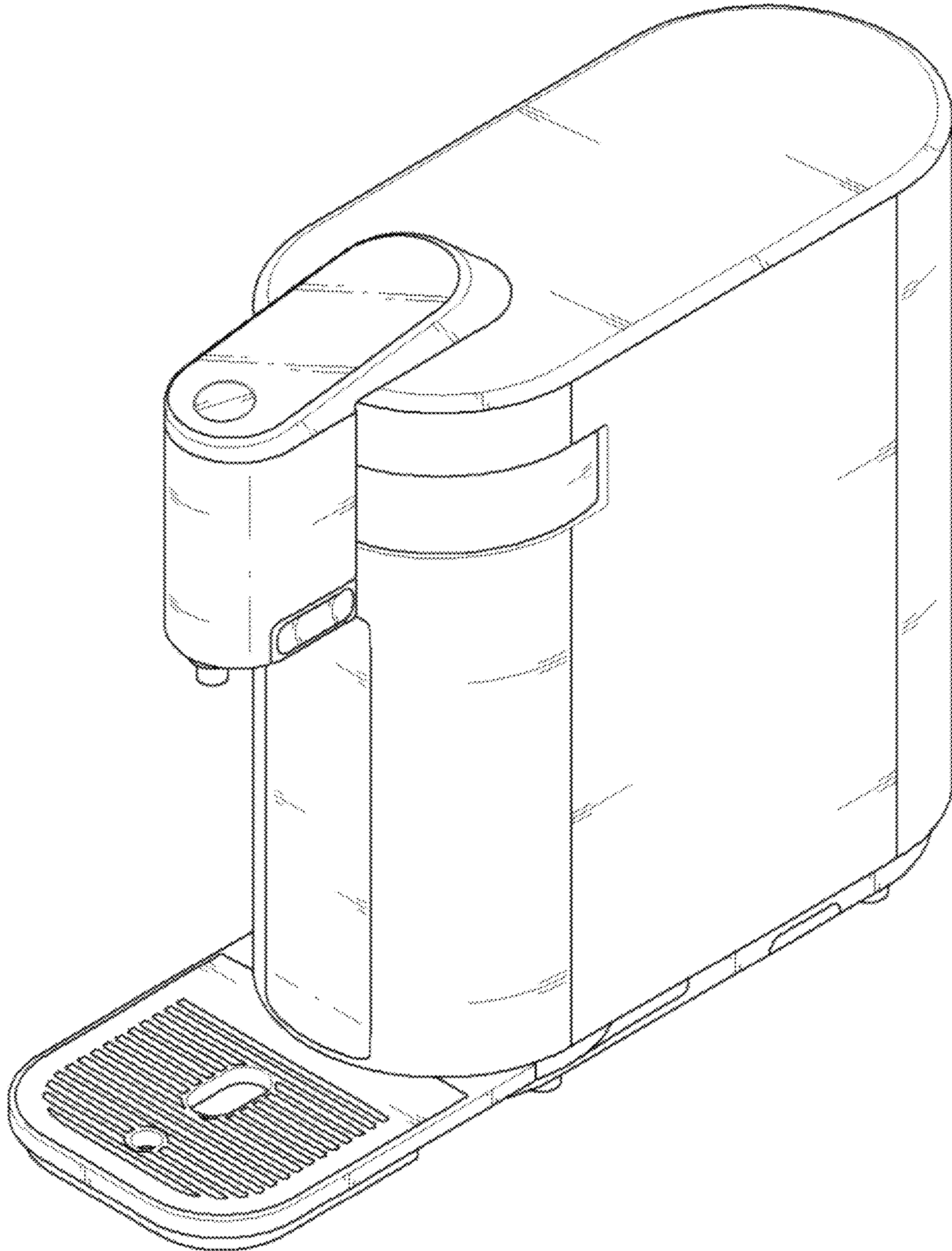
U.S. PATENT DOCUMENTS

9,856,126 B2 \* 1/2018 Jeon ..... B67D 1/0014  
 D816,797 S \* 5/2018 Lim ..... D23/207  
 D822,154 S \* 7/2018 Lee ..... D23/207  
 D823,628 S \* 7/2018 Steiner ..... D7/309  
 D825,243 S \* 8/2018 Yoon ..... D7/308  
 D830,754 S \* 10/2018 Cahen ..... D7/306  
 D841,774 S \* 2/2019 Ghoshal ..... D23/207  
 D841,775 S \* 2/2019 Ghoshal ..... D23/207  
 D842,428 S \* 3/2019 Choi ..... D23/207  
 D842,966 S \* 3/2019 Shin ..... D23/207  
 D844,101 S \* 3/2019 Zheng ..... D23/207  
 D853,169 S \* 7/2019 Choi ..... D7/307  
 D853,772 S \* 7/2019 Park ..... D7/307  
 D855,151 S \* 7/2019 Joo ..... D23/207

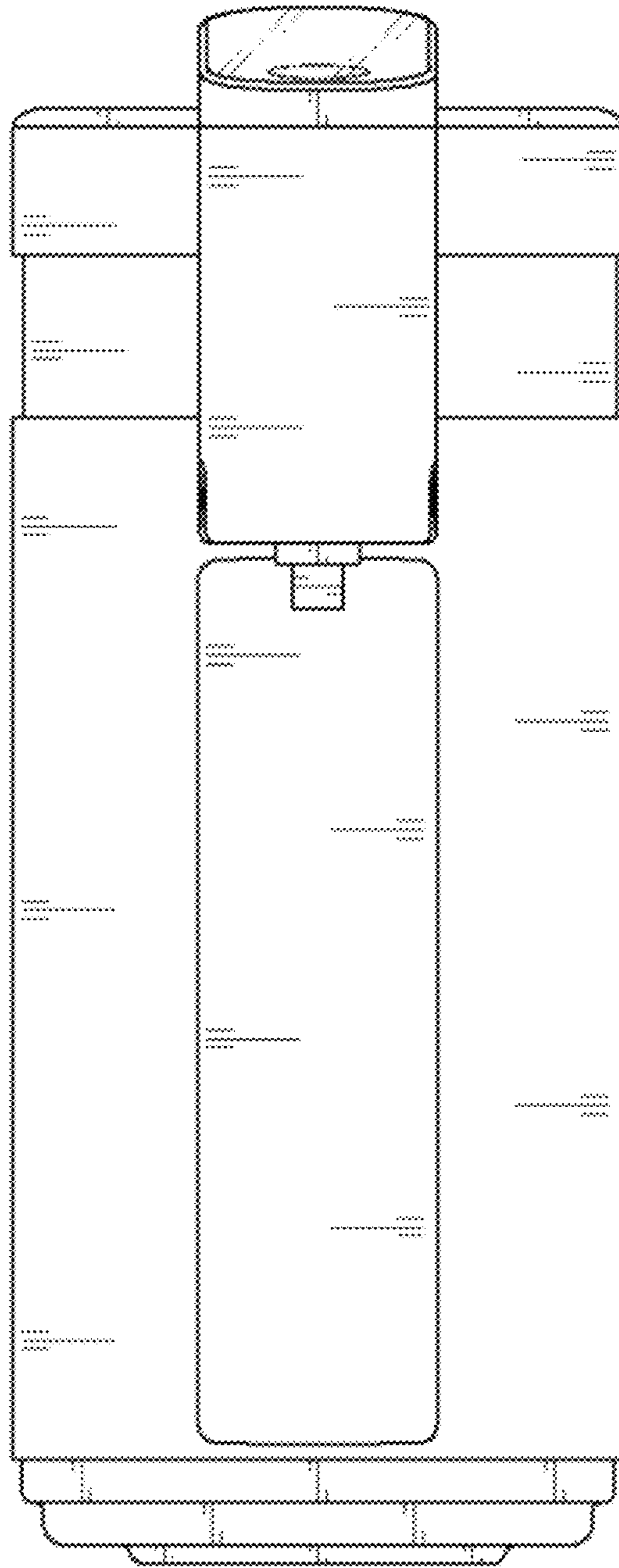
\* cited by examiner



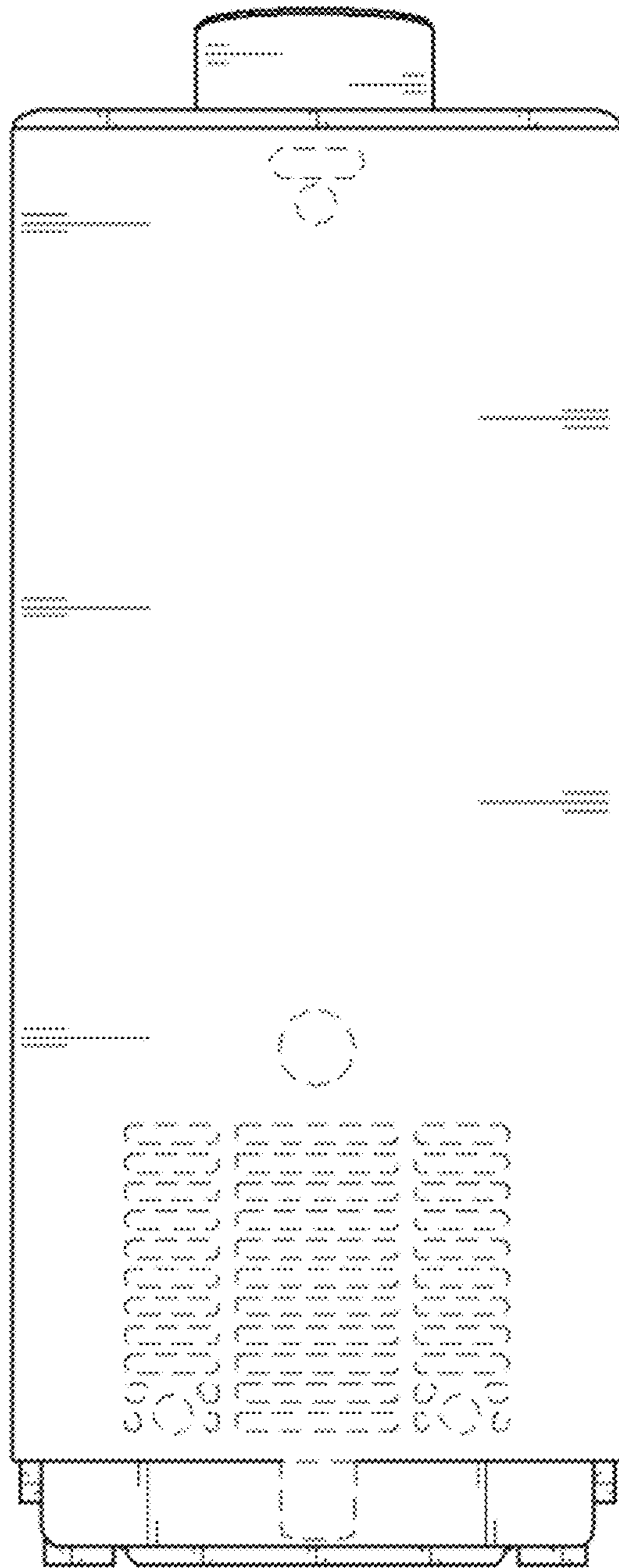
1.1



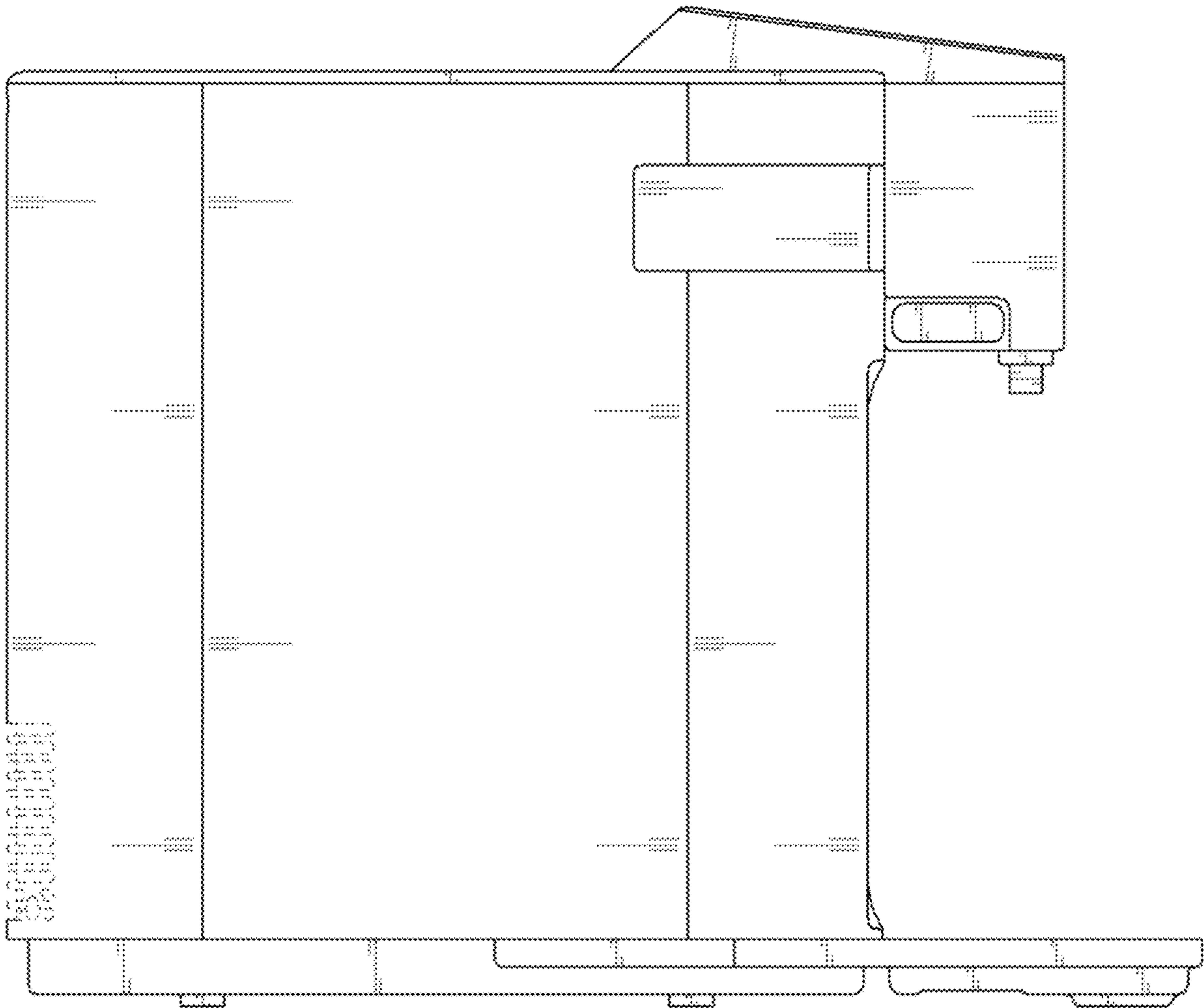
1.2



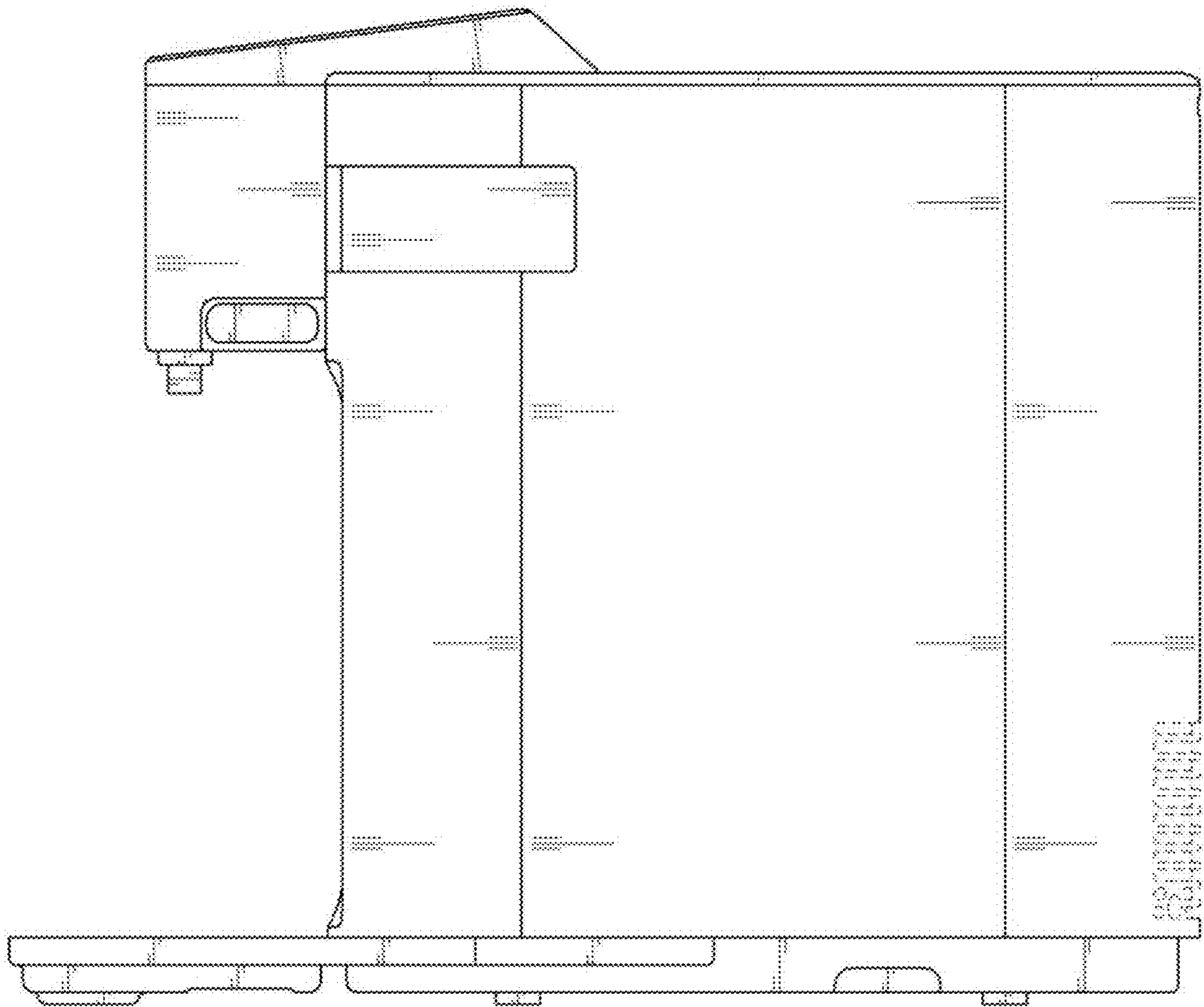
1.3



1.4

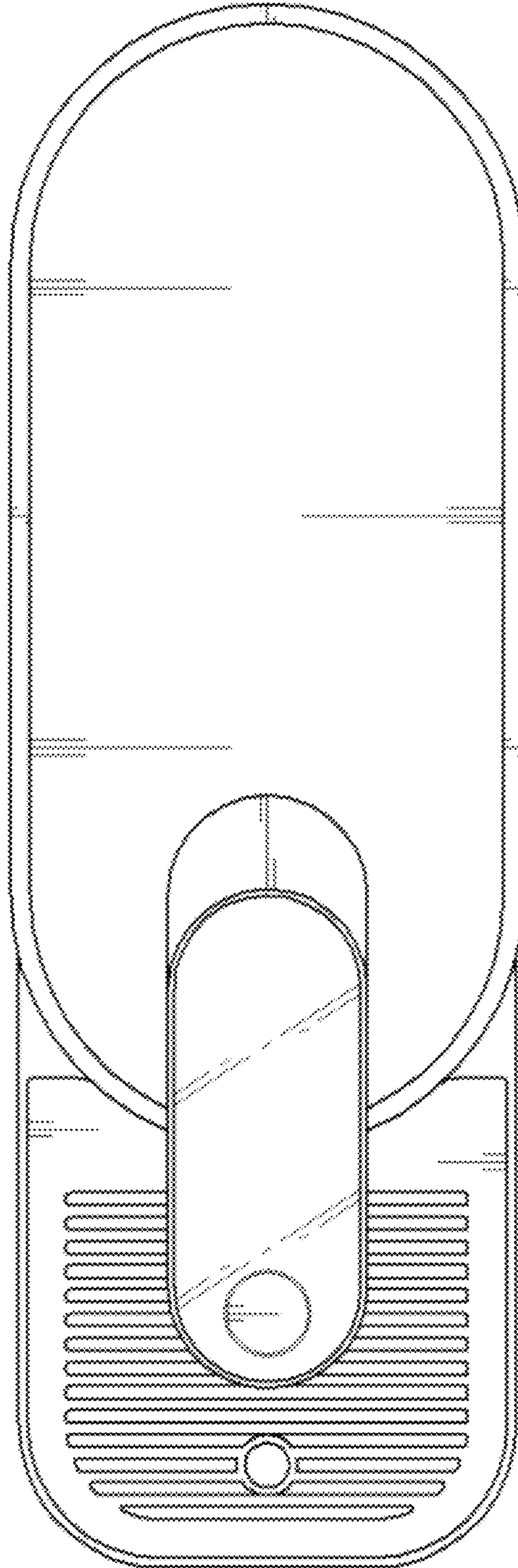


1.5



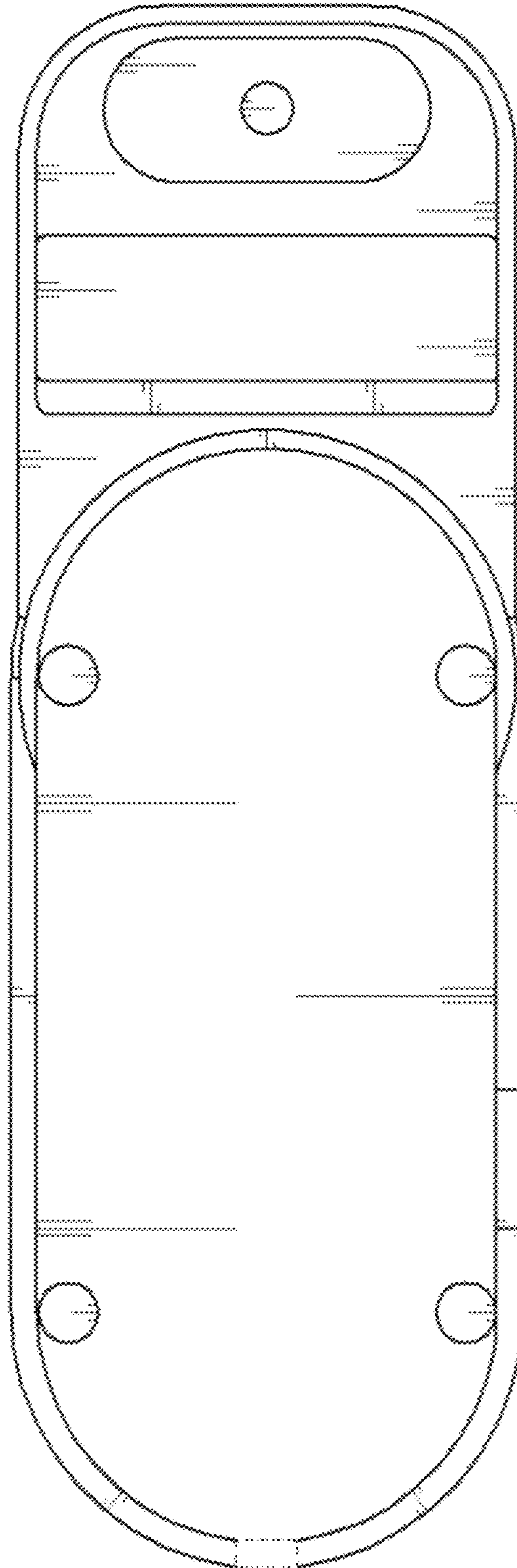


1.6

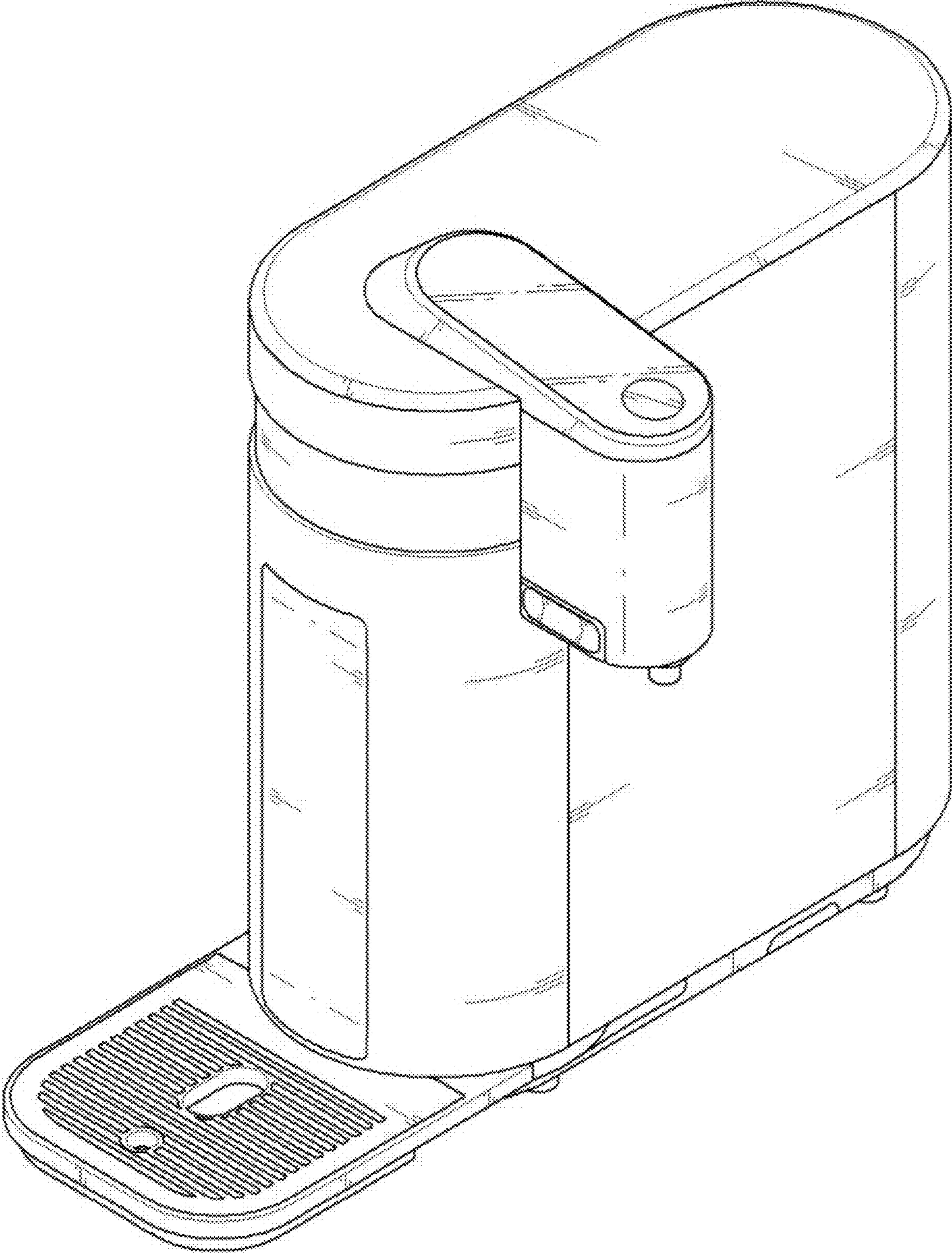




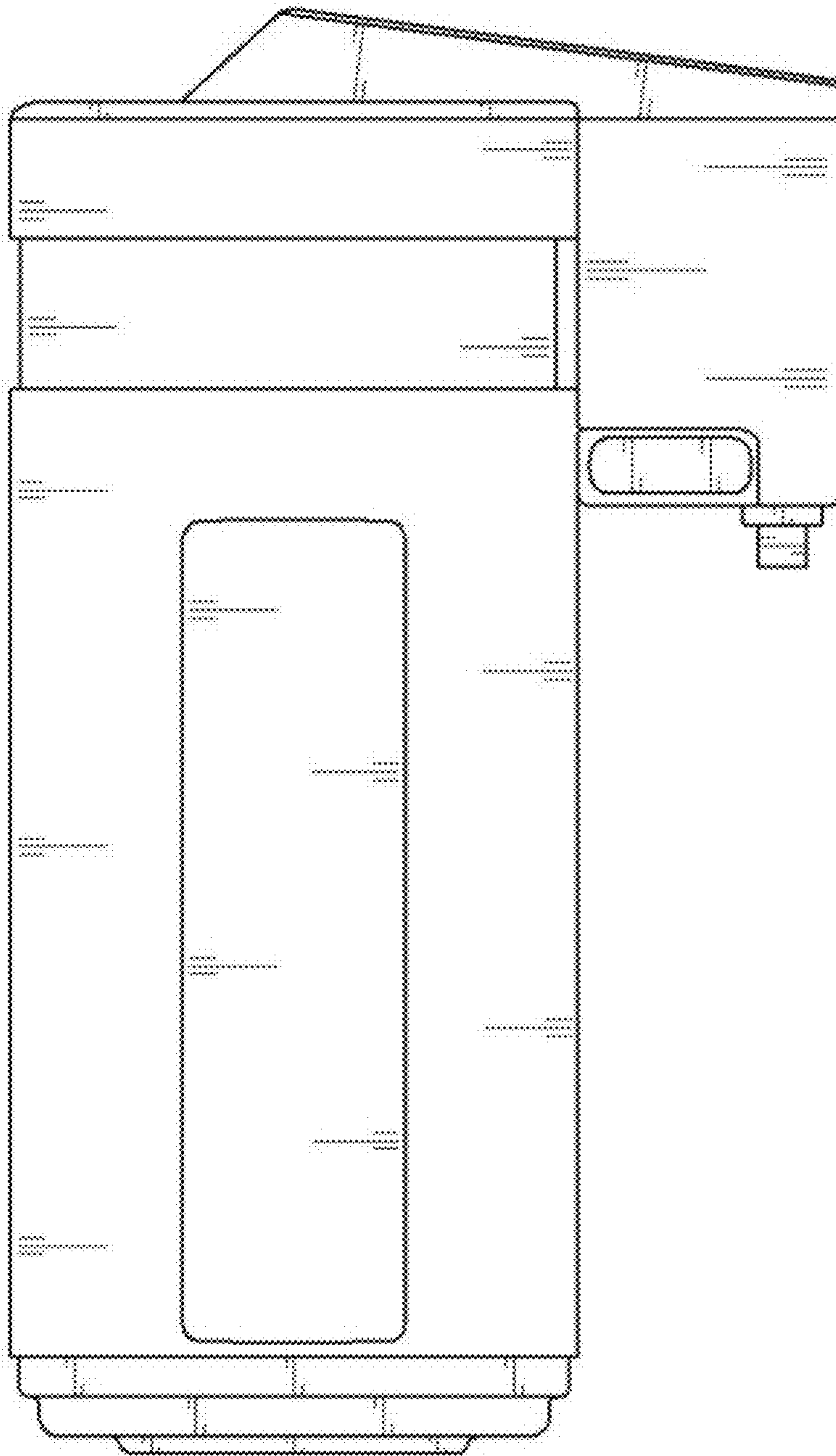
1.7



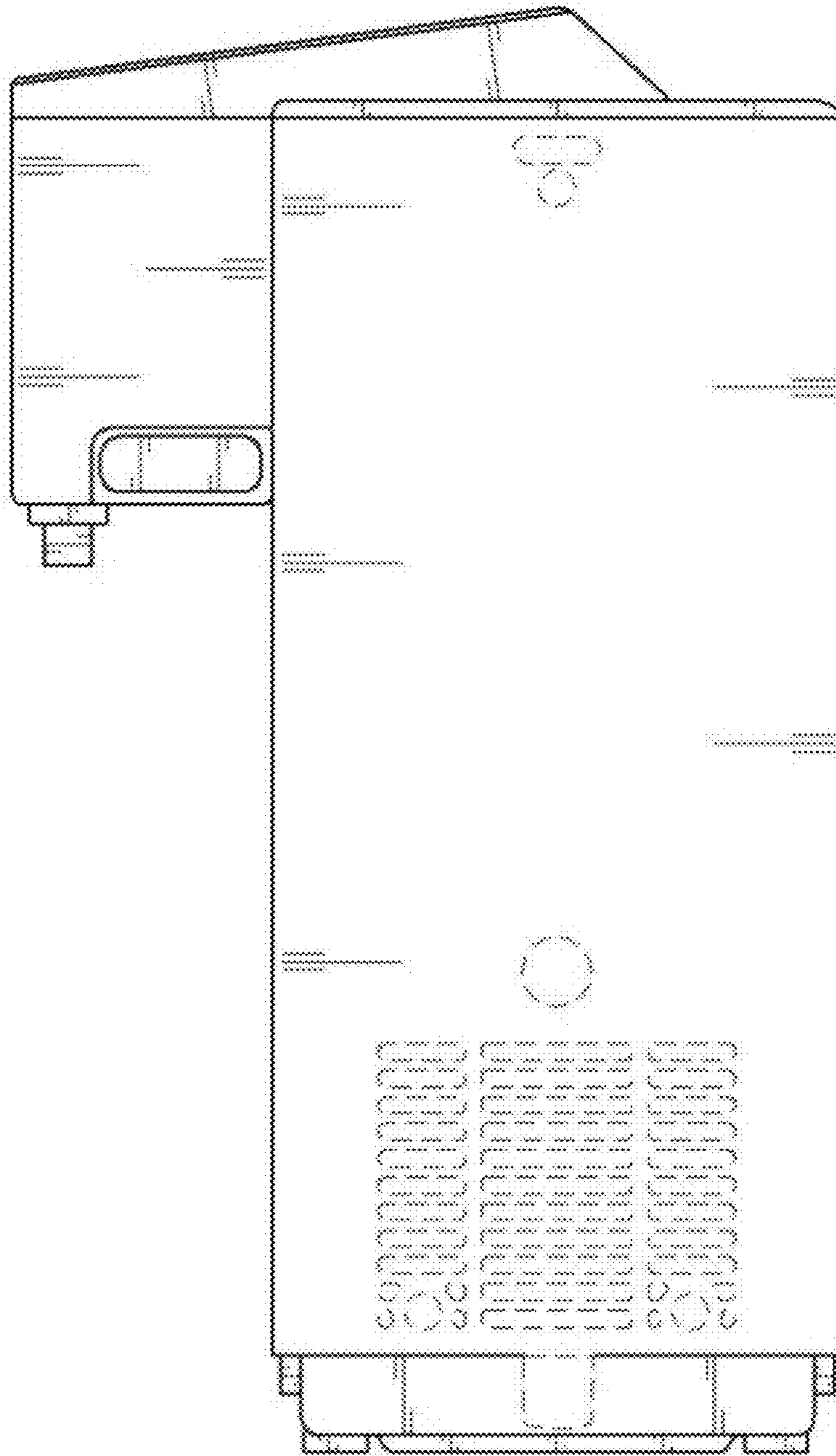
1.8



1.9

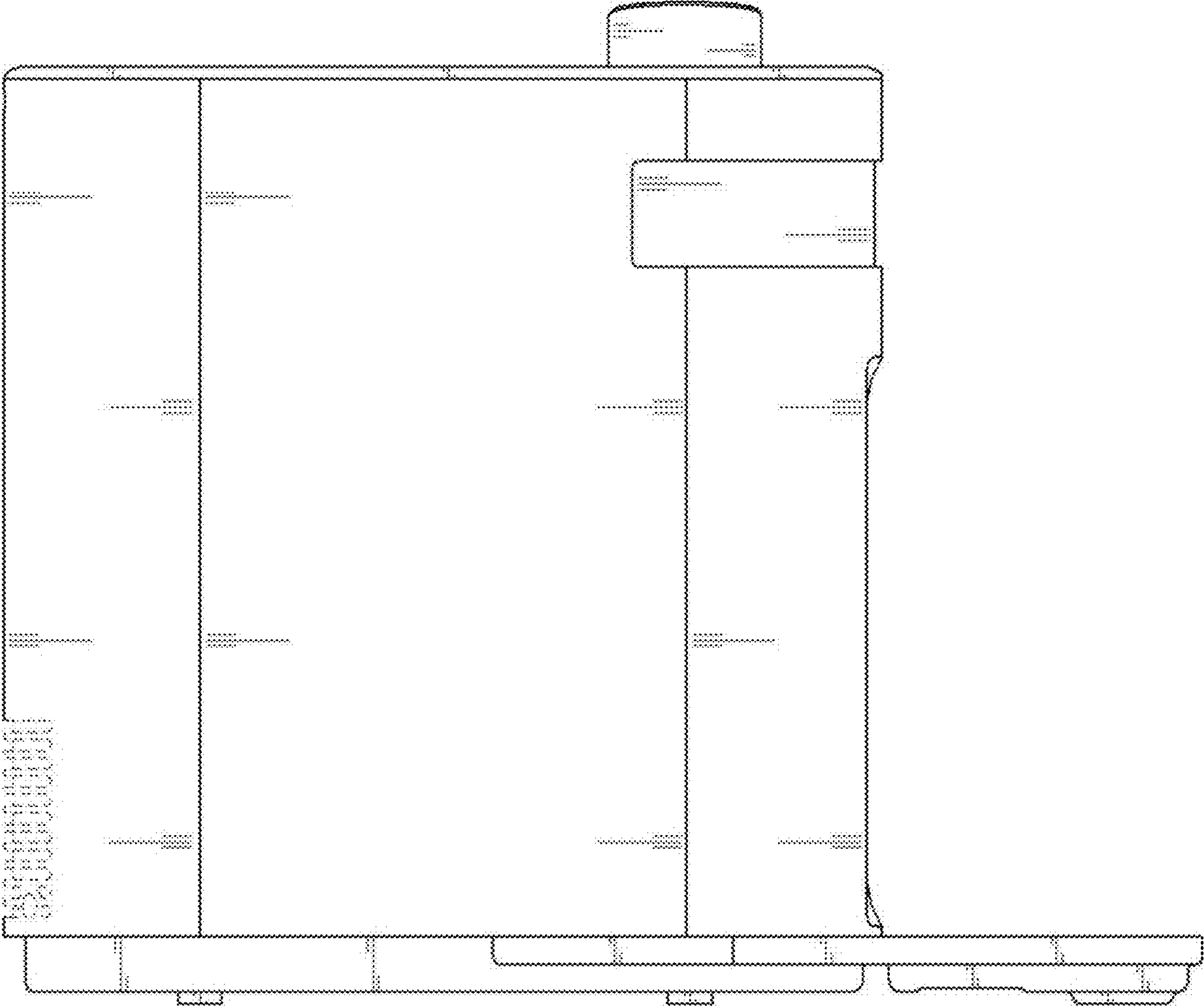


1.10

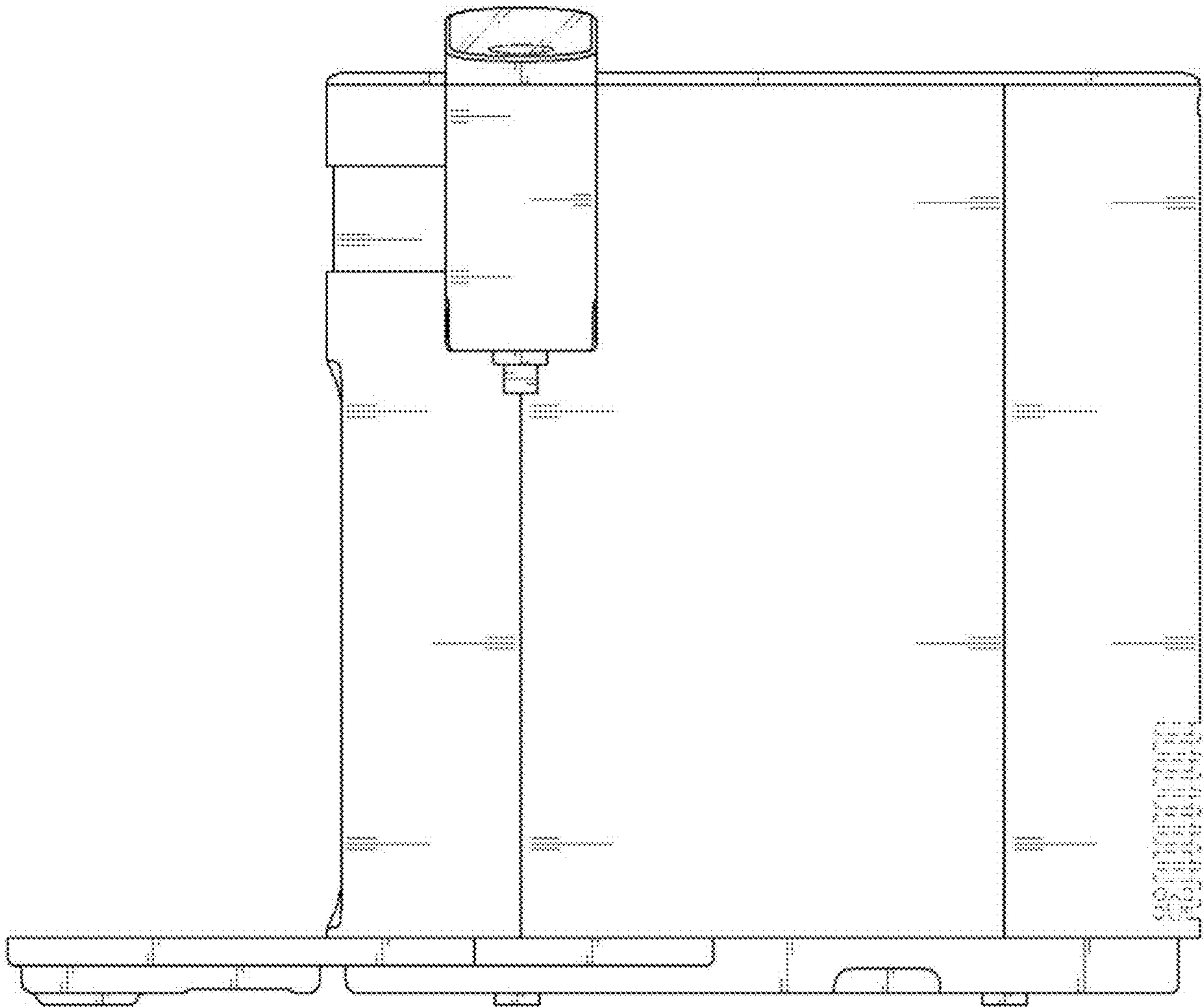




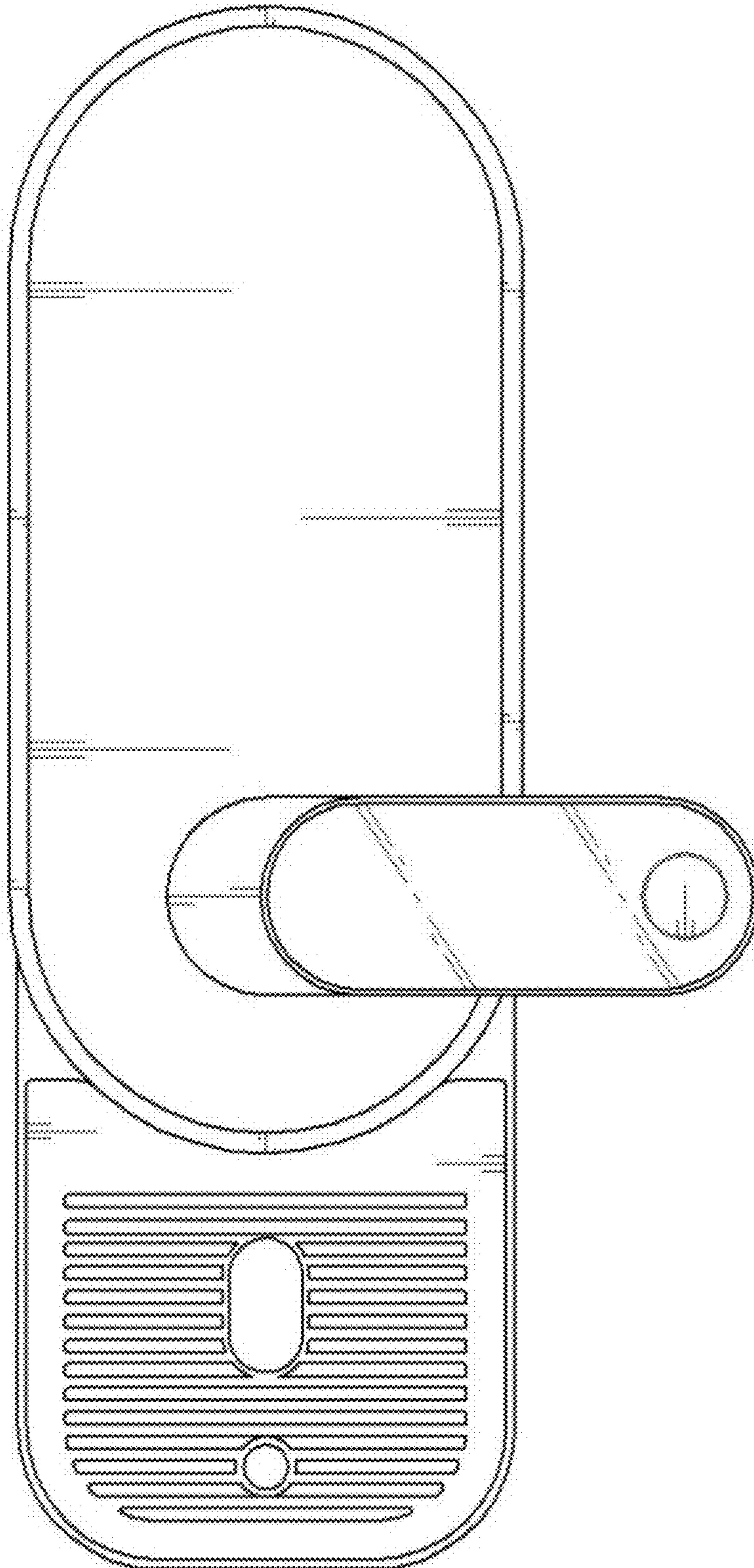
1.11



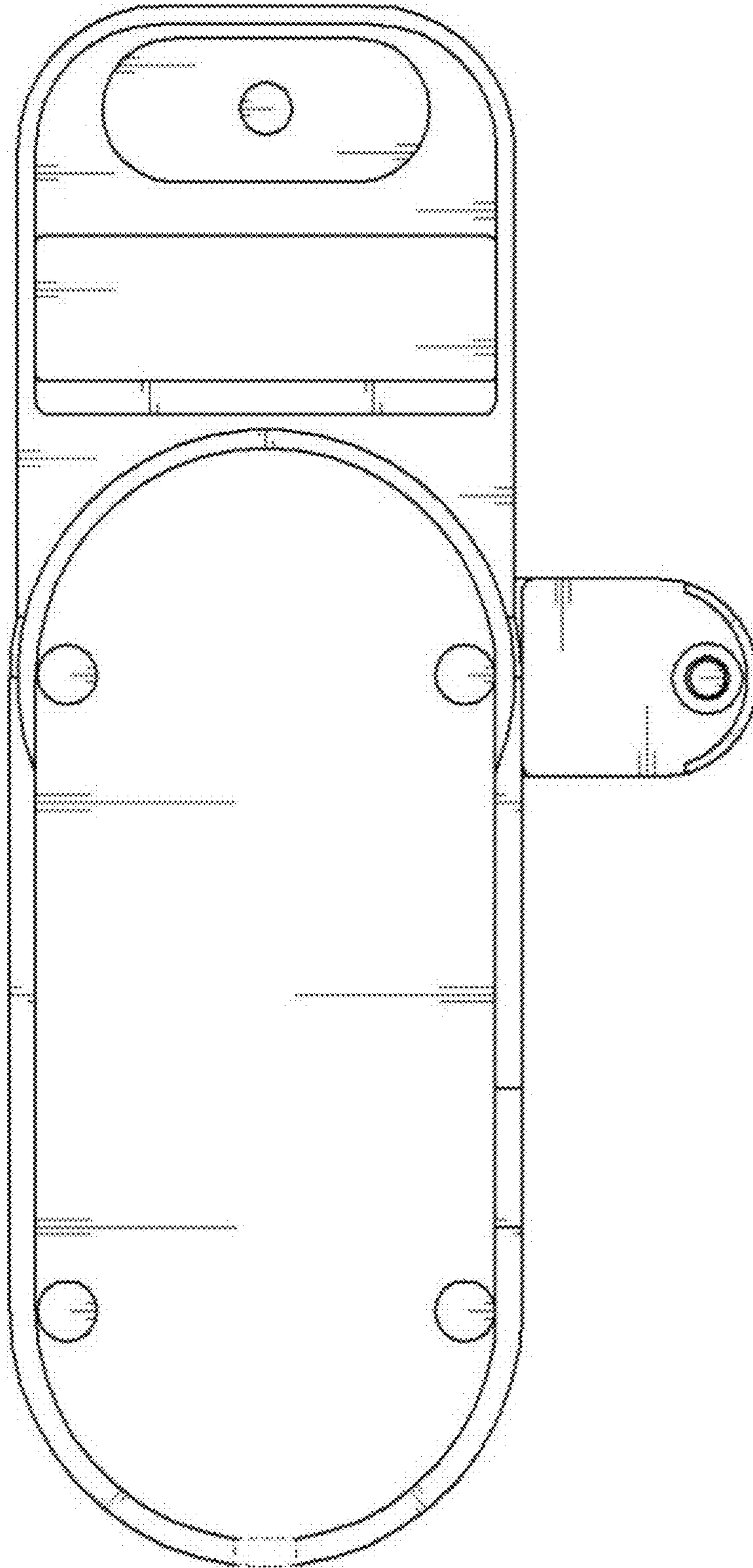
1.12



1.13

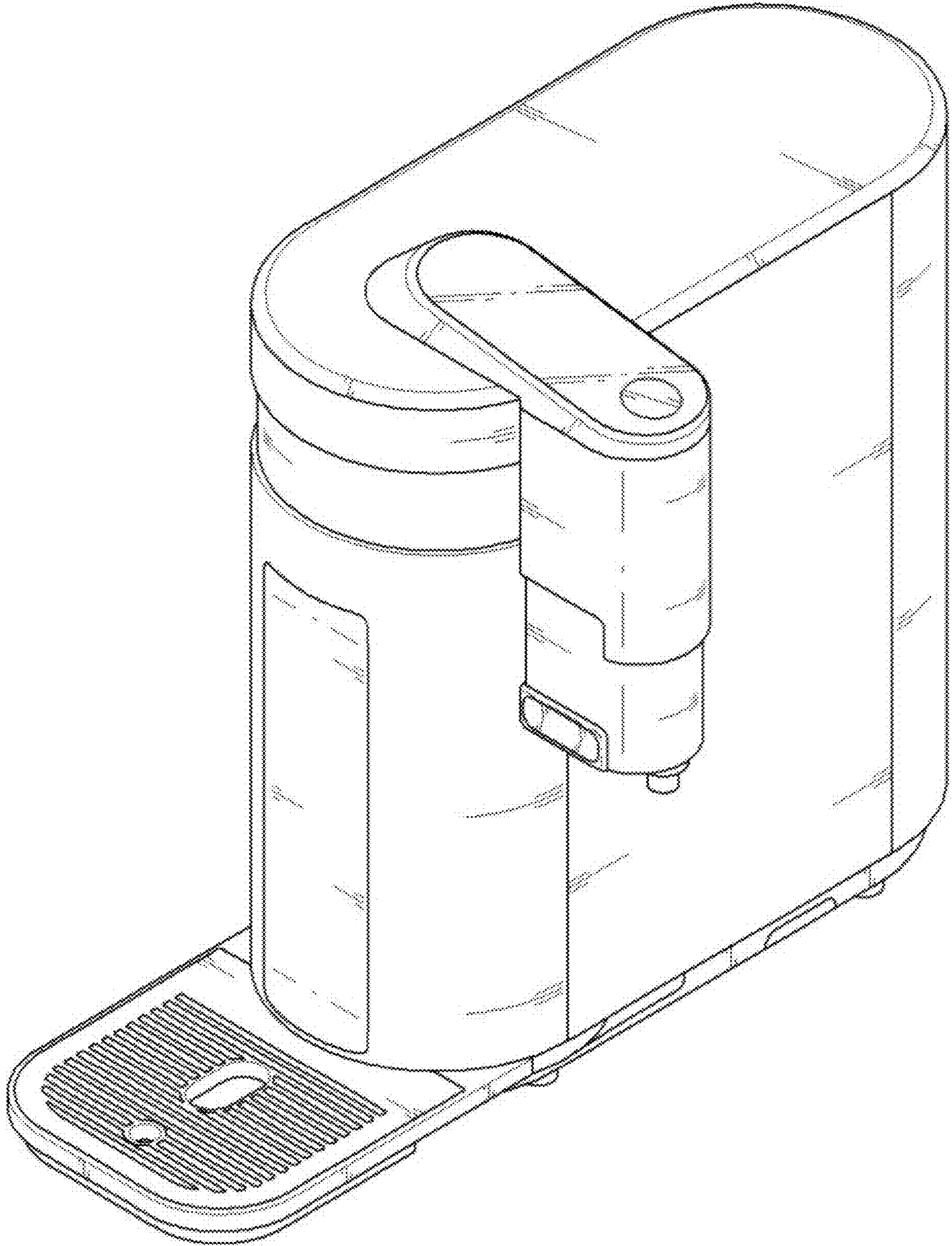


1.14

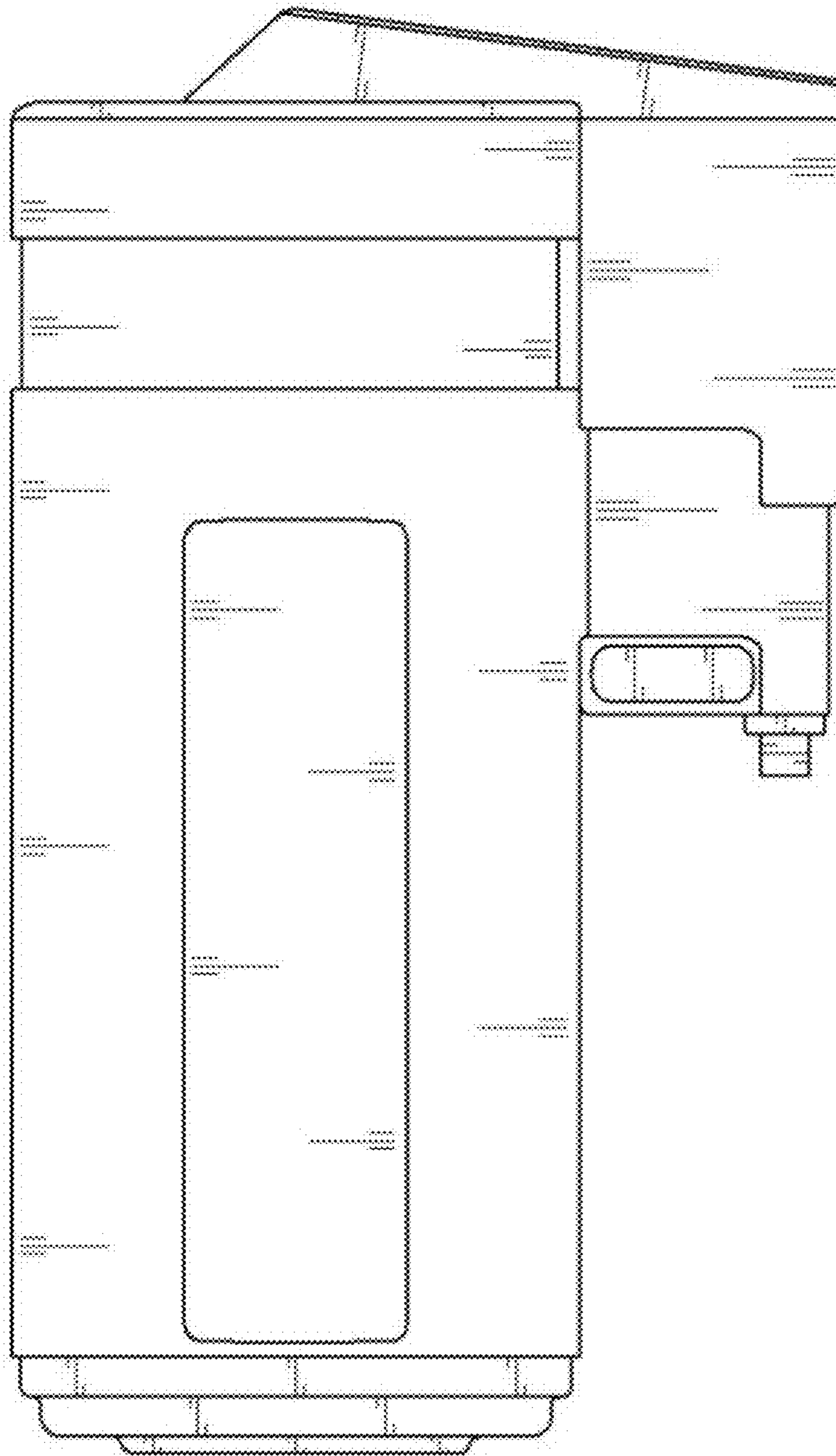




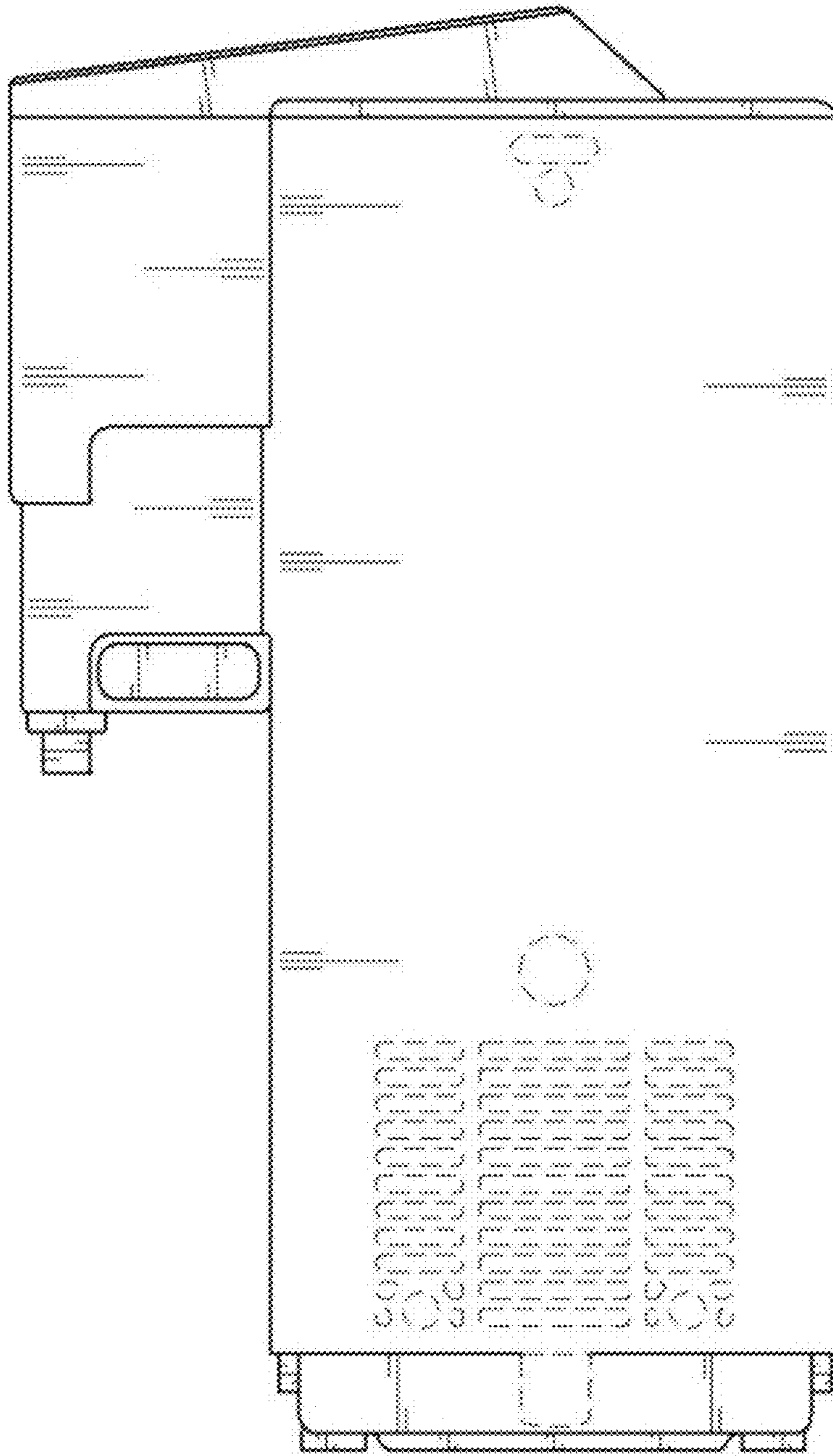
1.15



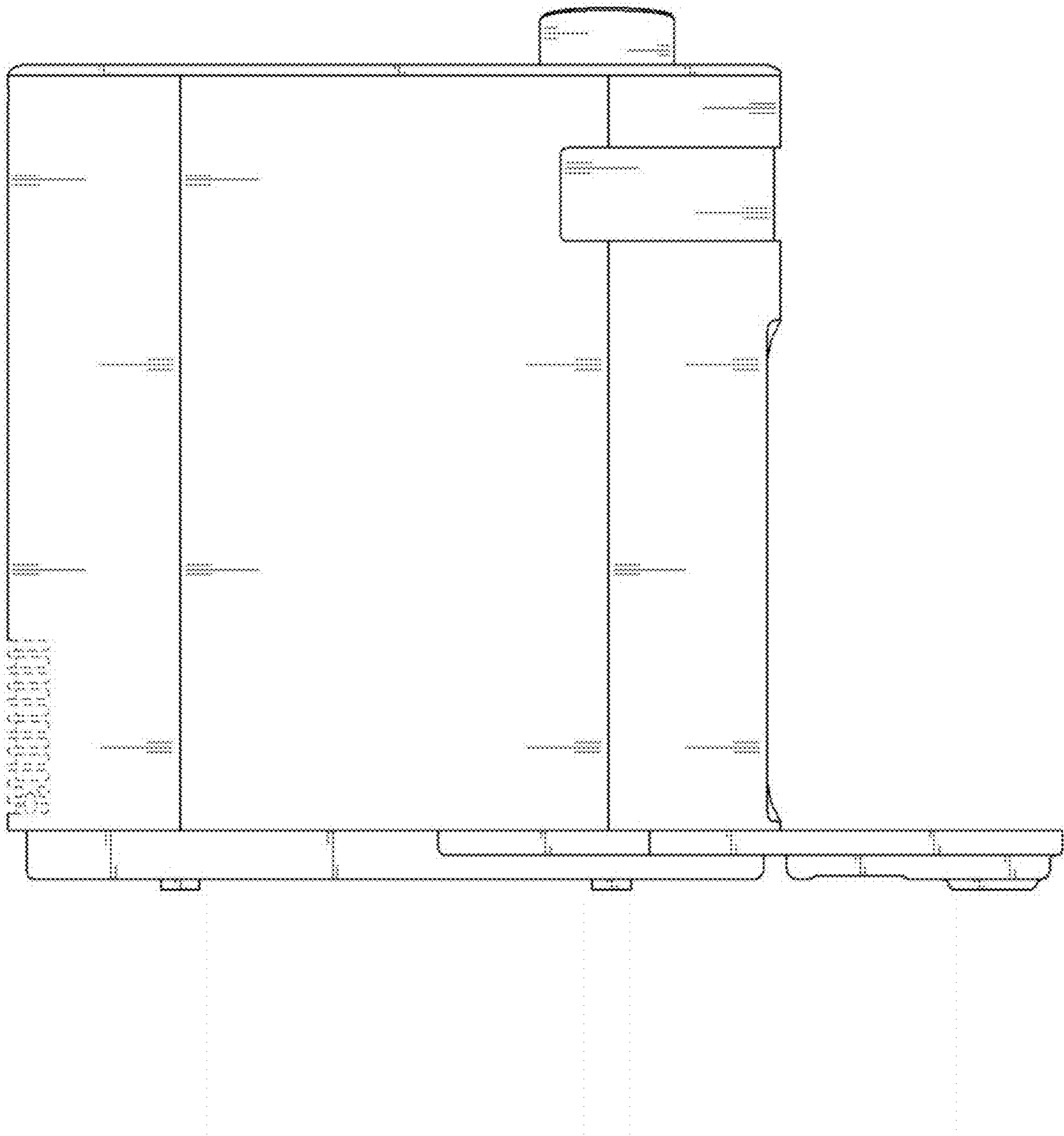
1.16



1.17

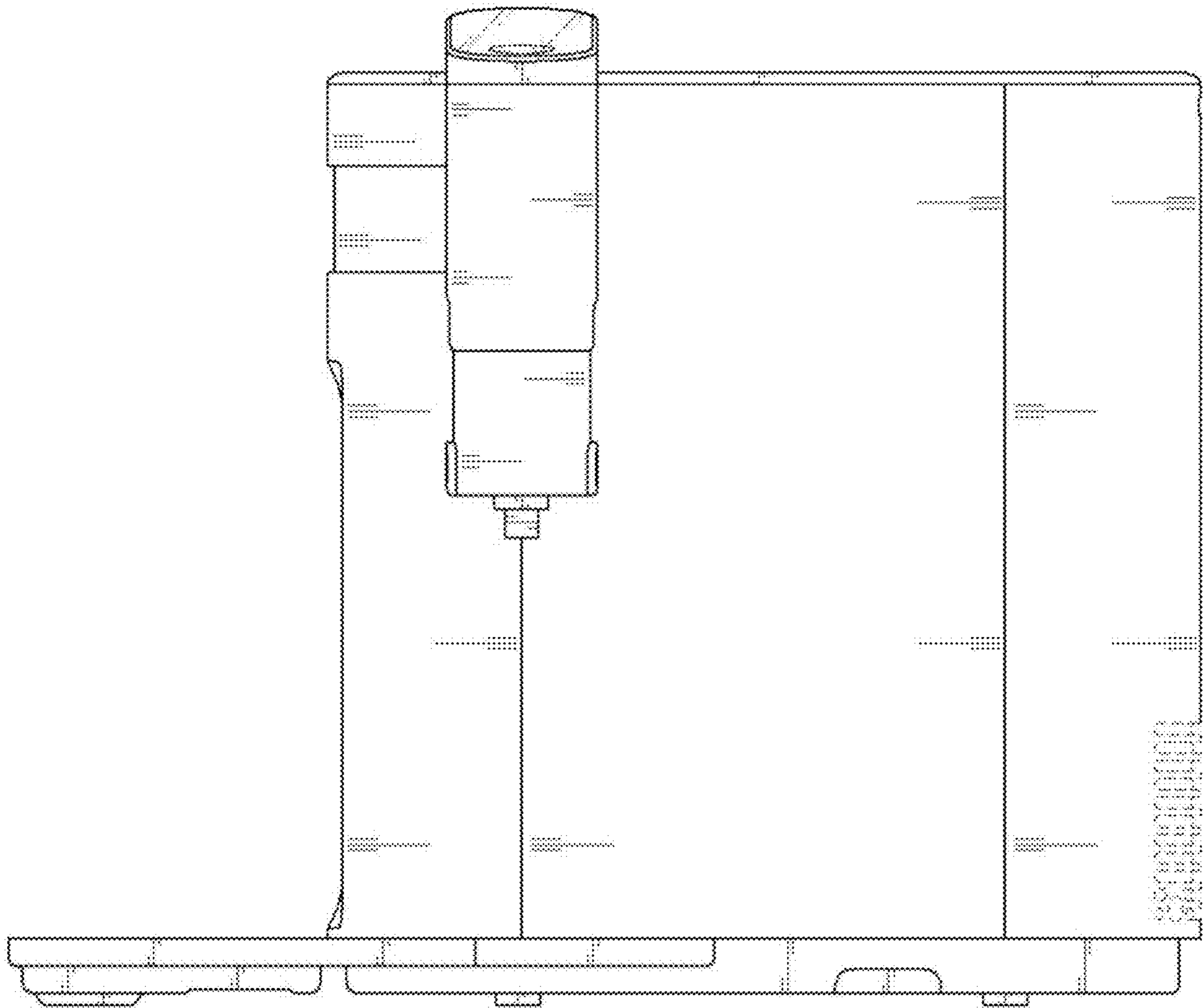


1.18

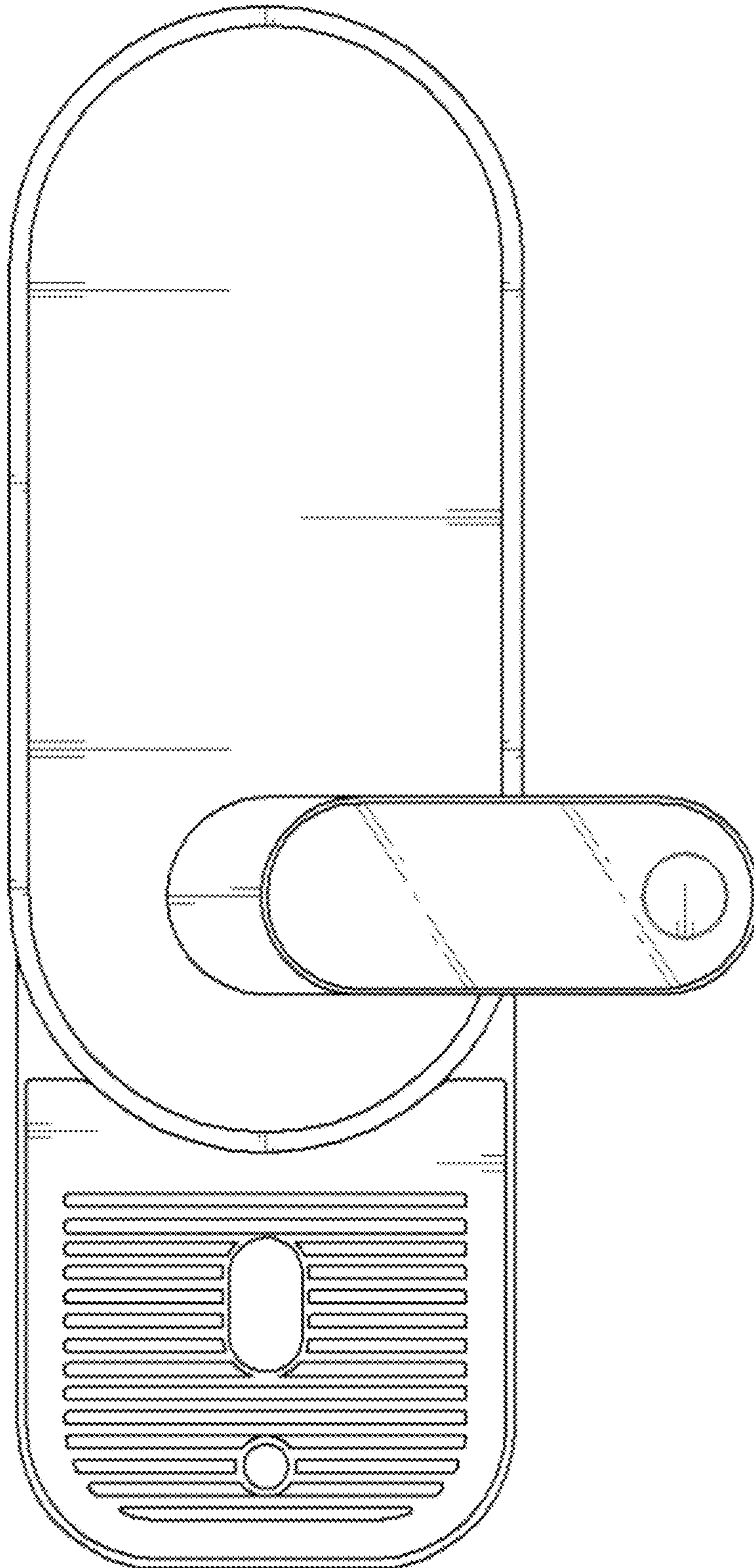




1.19



1.20



1.21

