

US00D872224S

(12) **United States Design Patent**  
**Hildebrand et al.**

(10) **Patent No.:** **US D872,224 S**  
(45) **Date of Patent:** **\*\* Jan. 7, 2020**

(54) **BIOGROWTH SUPPORT MEDIA**

- (71) Applicant: **Nexom Inc.**, Winnipeg (CA)
- (72) Inventors: **Martin Hildebrand**, Winnipeg (CA);  
**Merle Kroeker**, Winnipeg (CA);  
**Stephen A. Smith**, Houston, TX (US)
- (73) Assignee: **Nexom Inc.**, Winnipeg (CA)
- (\*\*) Term: **15 Years**
- (21) Appl. No.: **29/647,533**
- (22) Filed: **May 14, 2018**
- (51) **LOC (12) Cl.** ..... **21-01**
- (52) **U.S. Cl.**  
USPC ..... **D23/207; D23/209**
- (58) **Field of Classification Search**  
USPC ..... D23/207, 209, 269; D24/224  
CPC . A01N 25/34; B01J 19/30; B01J 19/32; B01J  
19/305; B65D 41/0414; C02F 3/04; C02F  
3/06; C02F 3/08; C02F 3/082; C02F  
(Continued)

(56) **References Cited**

U.S. PATENT DOCUMENTS

- D243,531 S \* 3/1977 Strigle, Jr. .... D23/209
  - D244,530 S \* 5/1977 Bell ..... D23/209
- (Continued)

*Primary Examiner* — Manpreet S Matharu  
*Assistant Examiner* — Keith J Wilson  
 (74) *Attorney, Agent, or Firm* — Kyle R Satterthwaite;  
 Ryan W Dupuis; Ade & Company Inc.

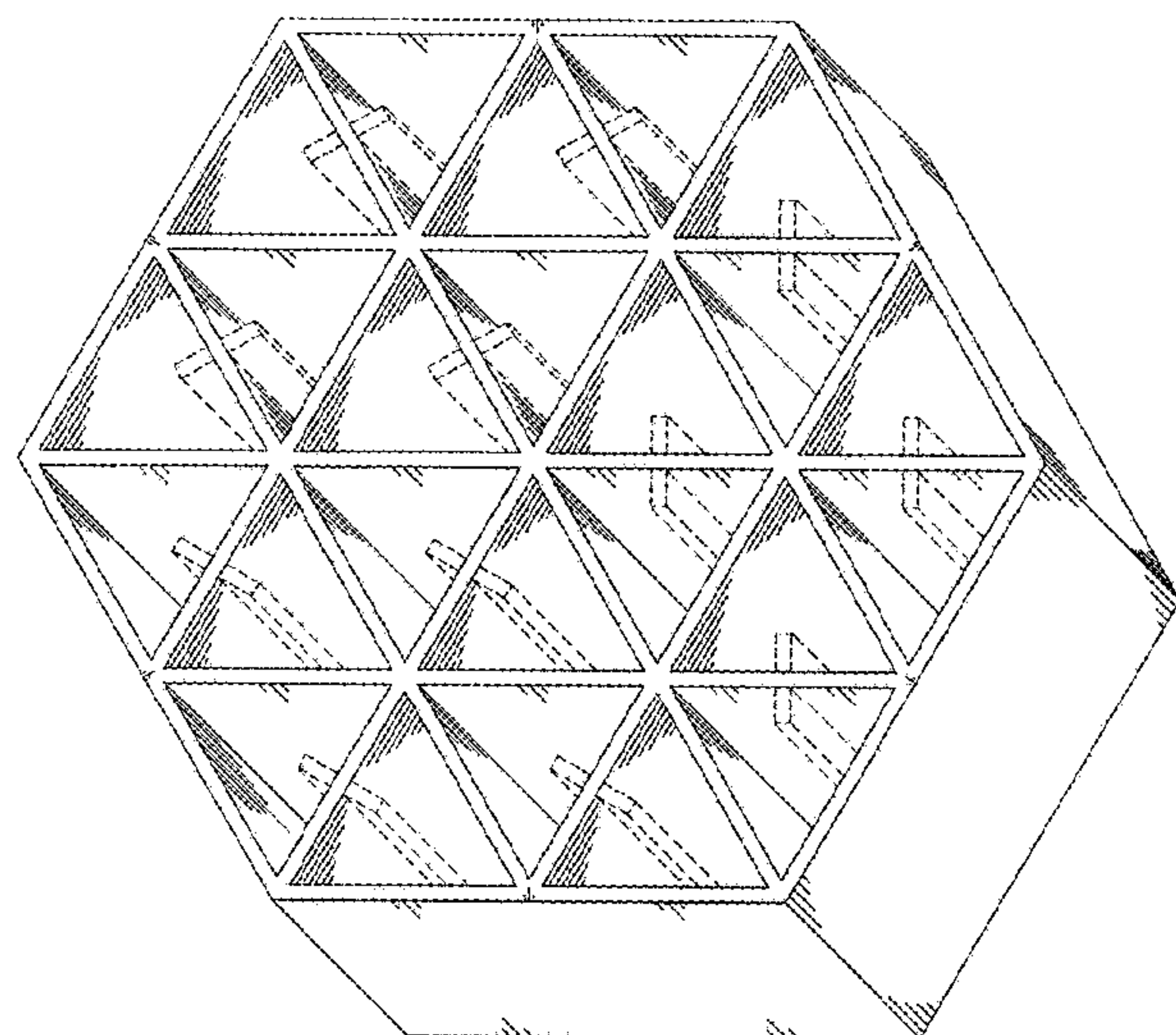
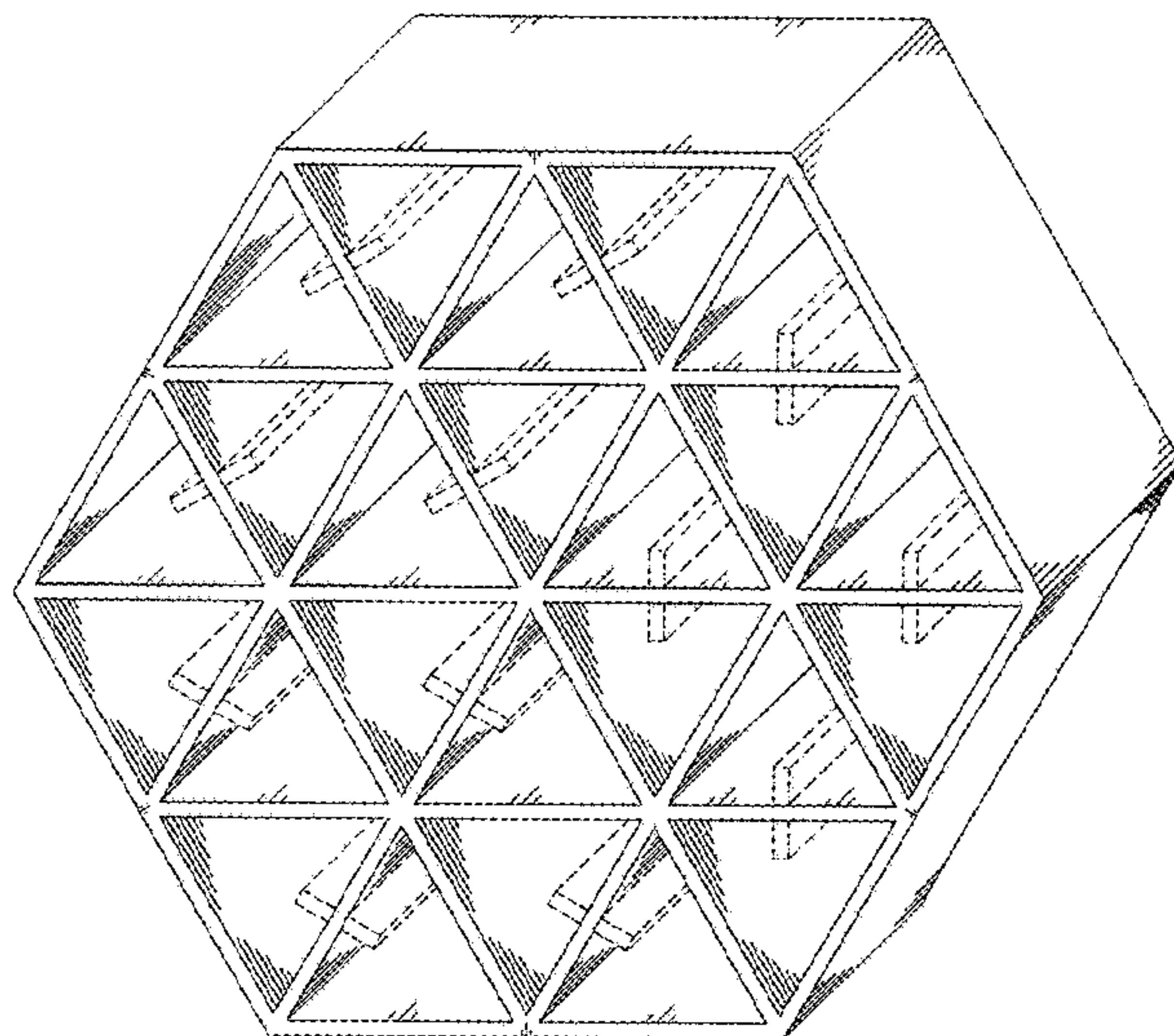
(57) **CLAIM**

The ornamental design for a biogrowth support media, as shown and described.

**DESCRIPTION**

FIG. 1 is a front top left oblique view of a first embodiment of the biogrowth support media, of which the rear top left oblique view is a mirror image;  
 FIG. 2 is a front bottom left oblique view of the first embodiment, of which the rear bottom left oblique view is a mirror image;  
 FIG. 3 is a front top right oblique view of the first embodiment, of which the rear top right oblique view is a mirror image;  
 FIG. 4 is a front bottom right oblique view of the first embodiment, of which the rear bottom right oblique view is a mirror image;  
 FIG. 5 is front elevational view of the first embodiment;  
 FIG. 6 is a rear elevational view thereof;  
 FIG. 7 is a top plan view of the first embodiment, the bottom view being identical thereto;  
 FIG. 8 is a side elevational view of the first embodiment, the opposing side view being identical thereto;  
 FIG. 9 is a front top left oblique view of a second embodiment of the biogrowth support media, of which the rear top left oblique view is a mirror image;  
 FIG. 10 is a front bottom left oblique view of the second embodiment, of which the rear bottom left oblique view is a mirror image;  
 FIG. 11 is a front top right oblique view of the second embodiment, of which the rear top right oblique view is a mirror image;  
 FIG. 12 is a front bottom right oblique view of the second embodiment, of which the rear bottom right oblique view is a mirror image;  
 FIG. 13 is front elevational view of the second embodiment;  
 FIG. 14 is a rear elevational view thereof;  
 FIG. 15 is a top plan view of the second embodiment, the bottom view being identical thereto; and,  
 FIG. 16 is a side elevational view of the second embodiment, the opposing side view being identical thereto.  
 The broken lines shown represent portions of a growth support media and forms no part of claimed design.

**1 Claim, 8 Drawing Sheets**



- (58) **Field of Classification Search**  
CPC .. 3/085; C02F 3/10; C02F 3/101; C02F 3/208  
See application file for complete search history.

(56) **References Cited**

U.S. PATENT DOCUMENTS

6,126,829 A \* 10/2000 Gunnarsson ..... B01J 19/30  
210/616  
D465,257 S \* 11/2002 Van Olst ..... B01J 19/30  
D23/207  
6,889,963 B2 \* 5/2005 Niknafs ..... B01D 53/02  
261/94  
D611,568 S \* 3/2010 Westrum ..... D23/207  
D618,760 S \* 6/2010 Flournoy ..... D23/207  
D619,201 S \* 7/2010 Westrum ..... D23/207  
D645,116 S \* 9/2011 McKean ..... D23/207  
D645,159 S \* 9/2011 Loken ..... D23/209  
D645,160 S \* 9/2011 Loken ..... D23/209  
D645,161 S \* 9/2011 Loken ..... D23/209  
D648,821 S \* 11/2011 McKean ..... D23/207  
D661,778 S \* 6/2012 Dempster ..... D23/207  
D697,168 S \* 1/2014 Rusten ..... D23/207  
D827,765 S \* 9/2018 Ward ..... D23/207  
D835,797 S \* 12/2018 Santos ..... D24/224

\* cited by examiner



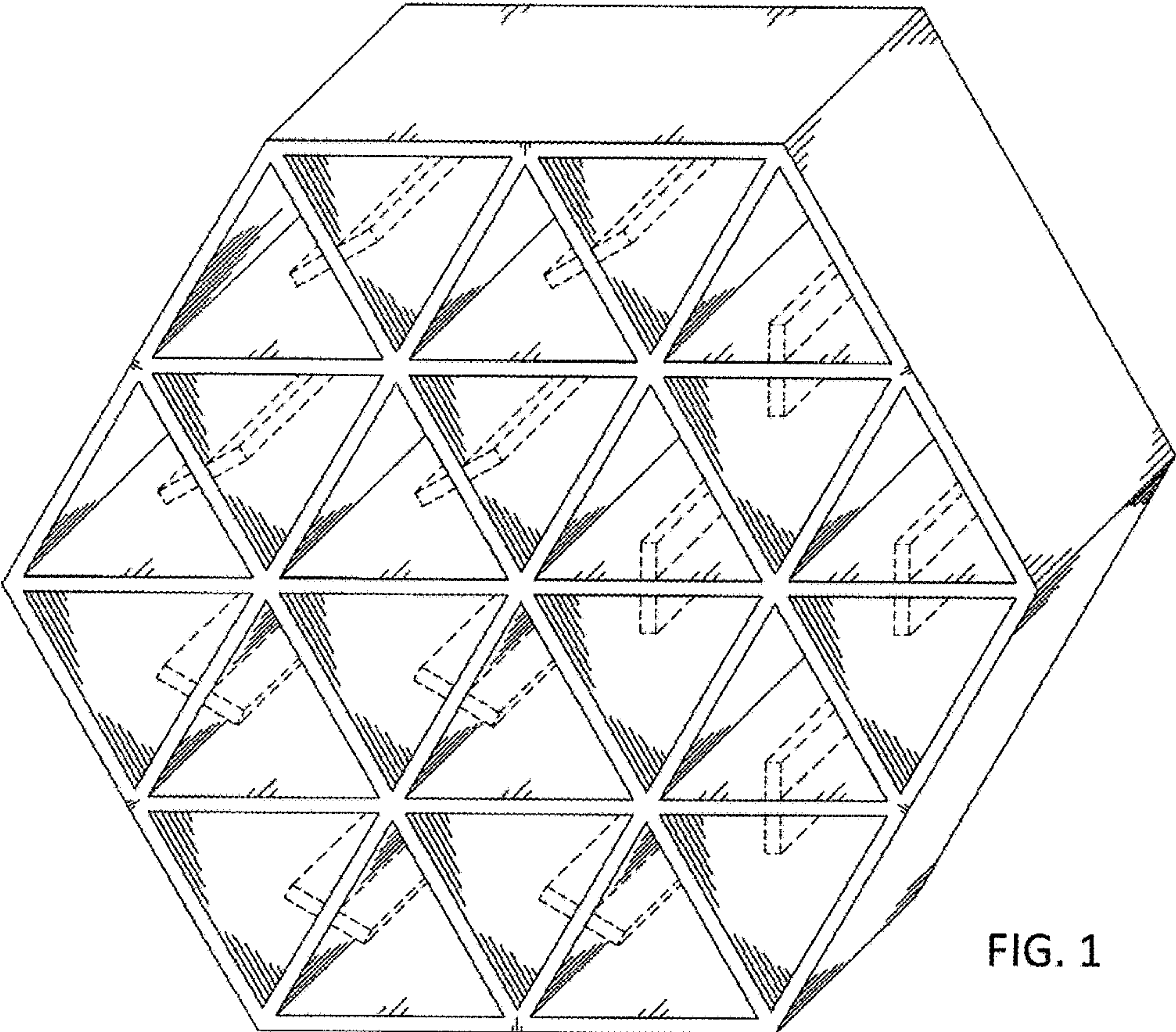


FIG. 1

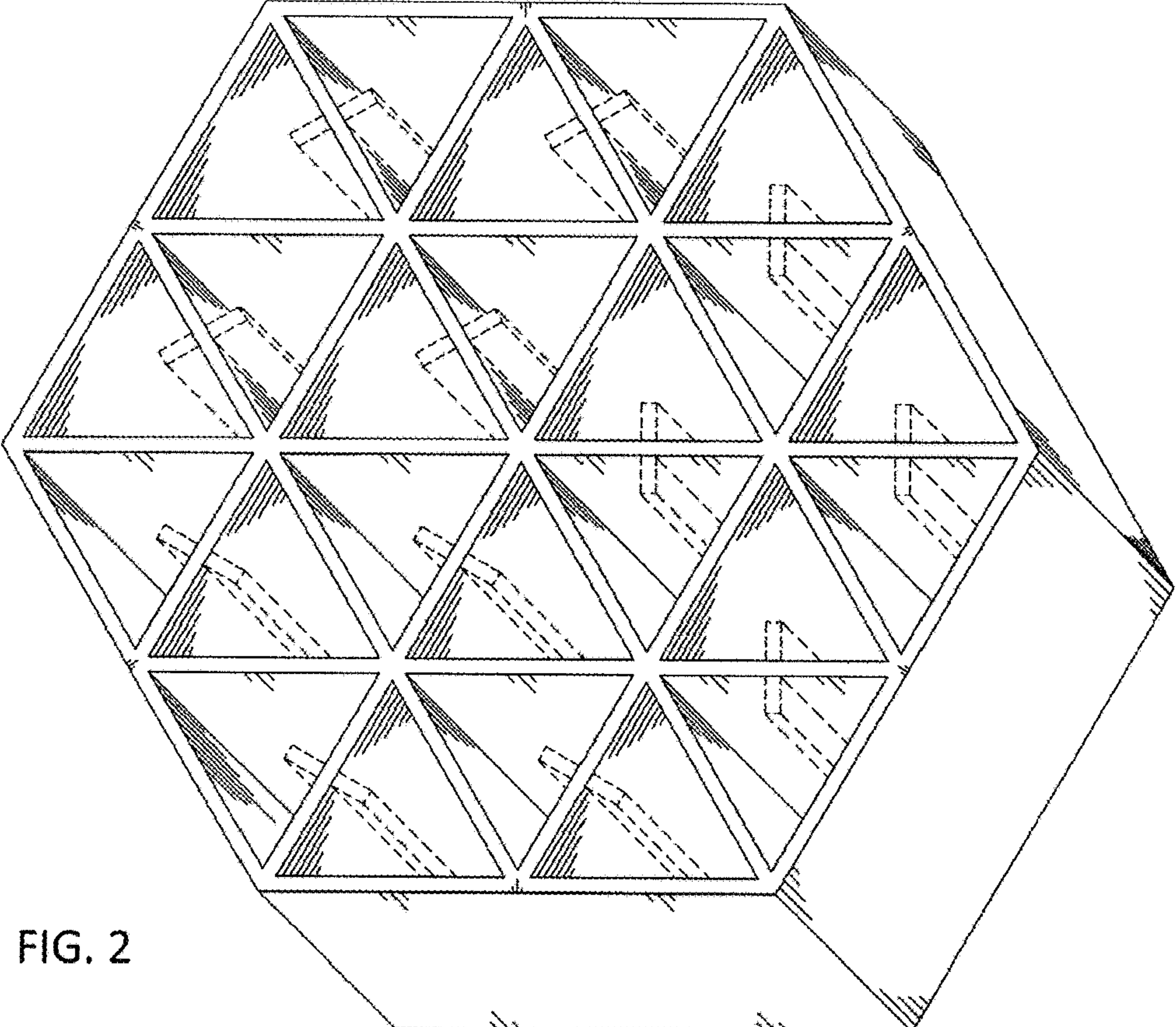


FIG. 2



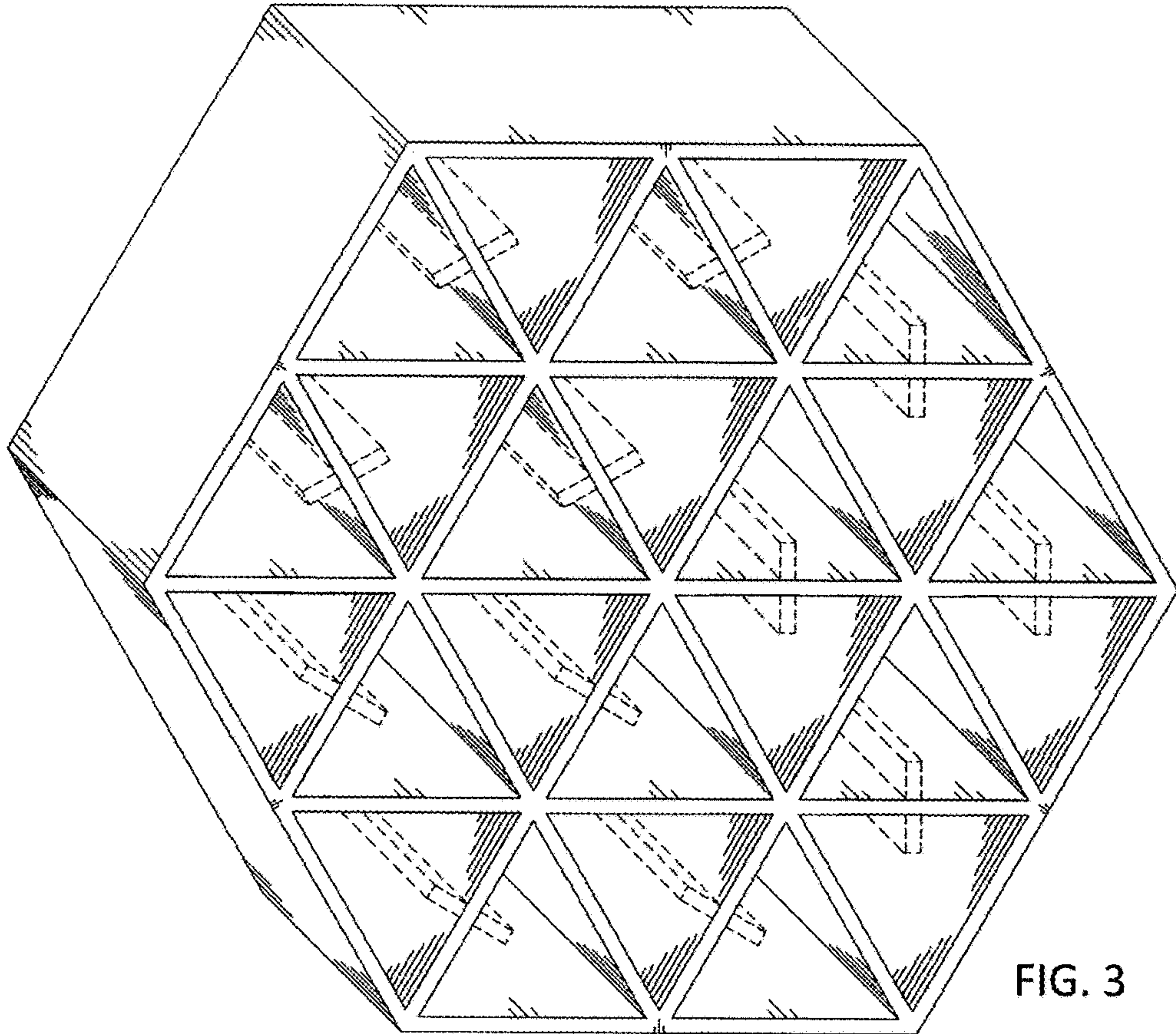


FIG. 3

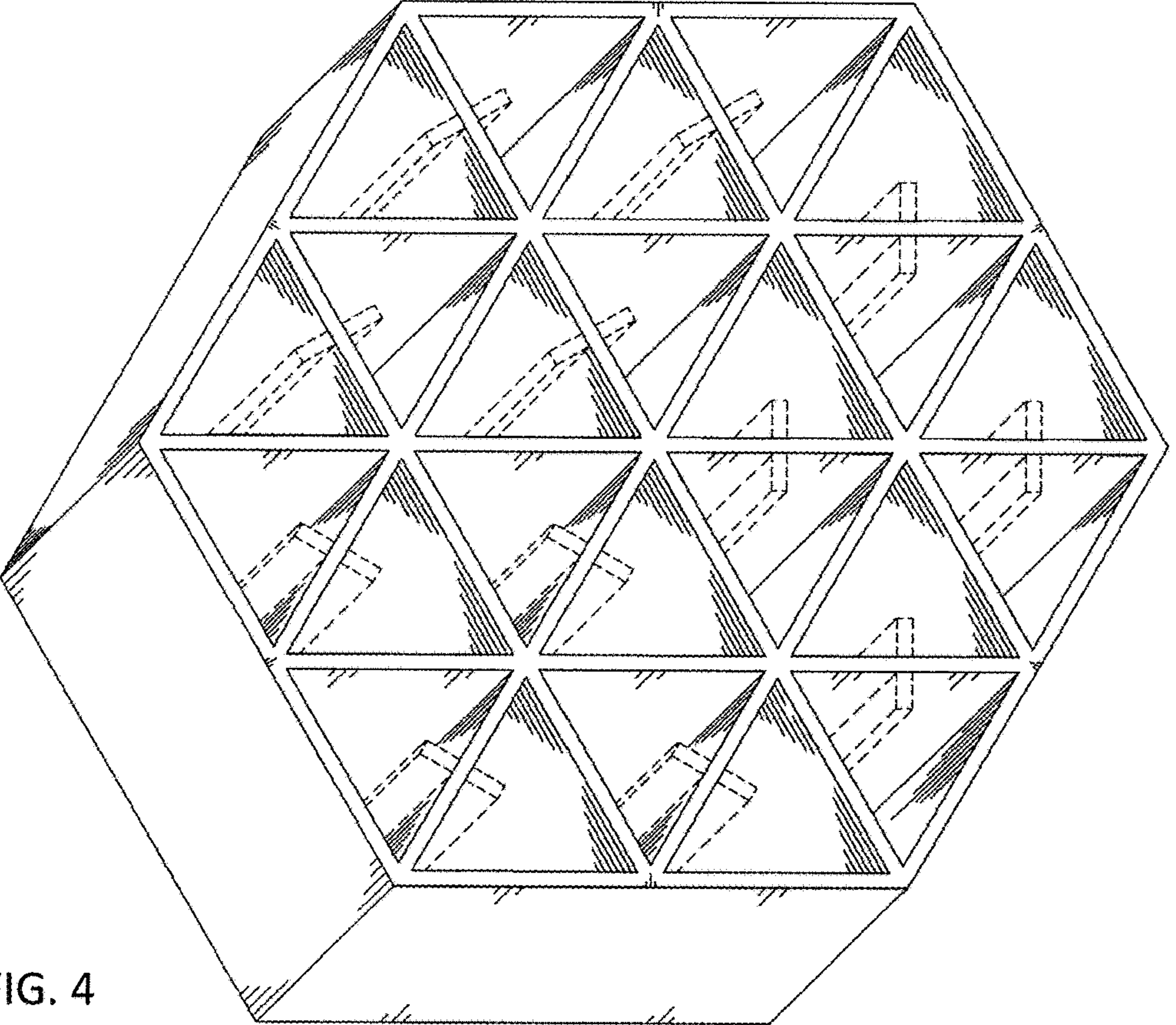


FIG. 4

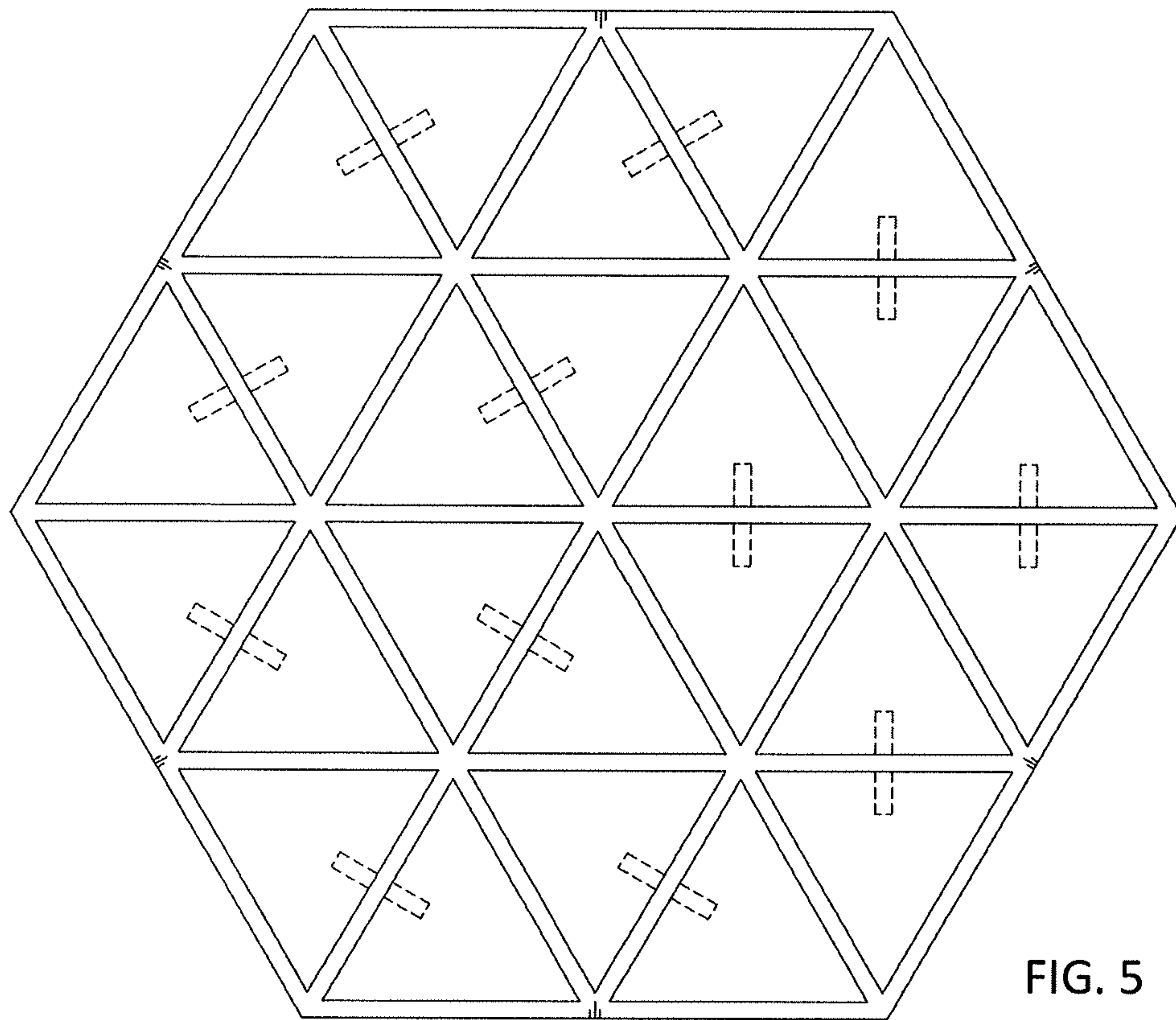


FIG. 5

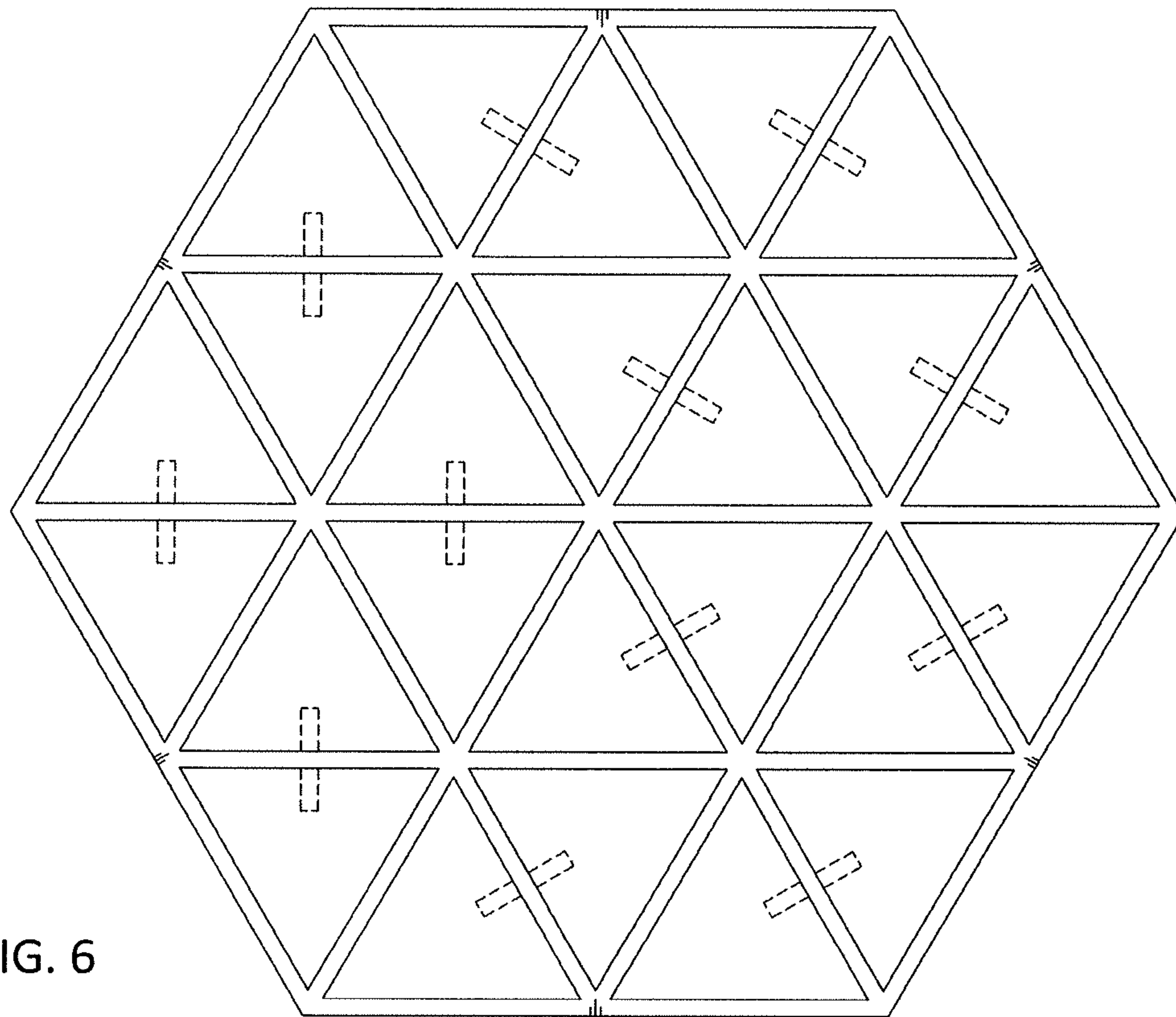


FIG. 6

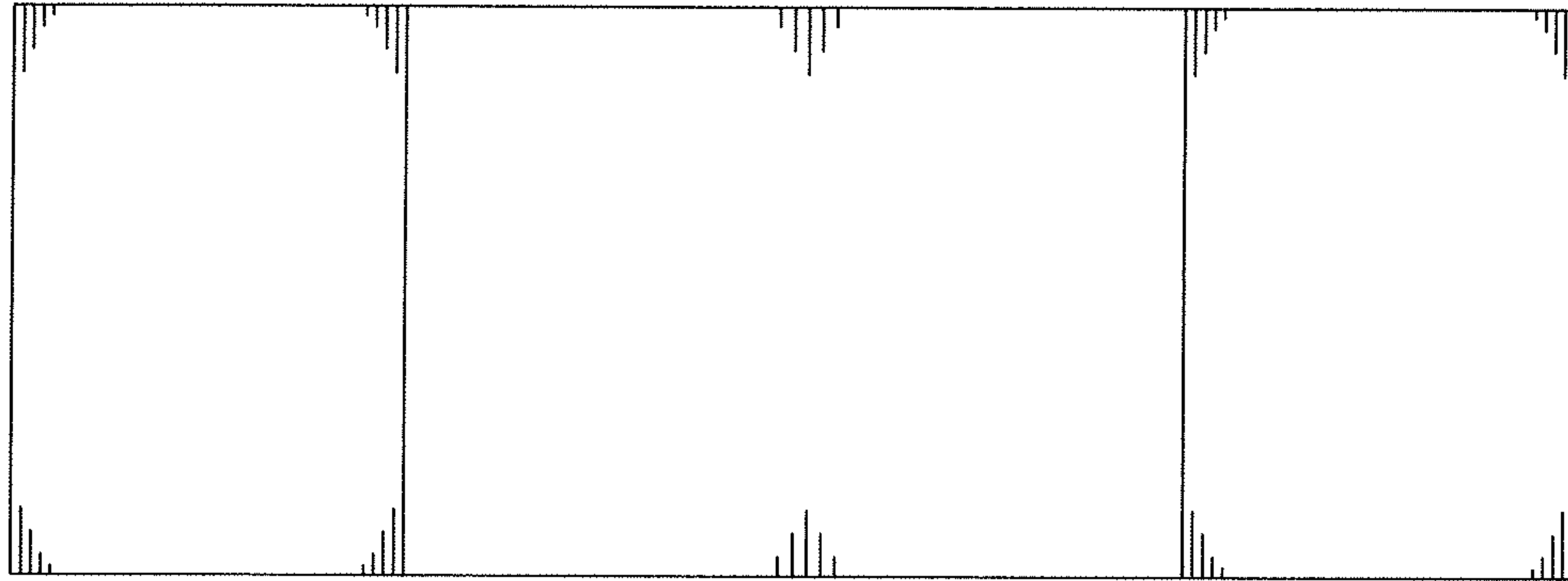


FIG. 7

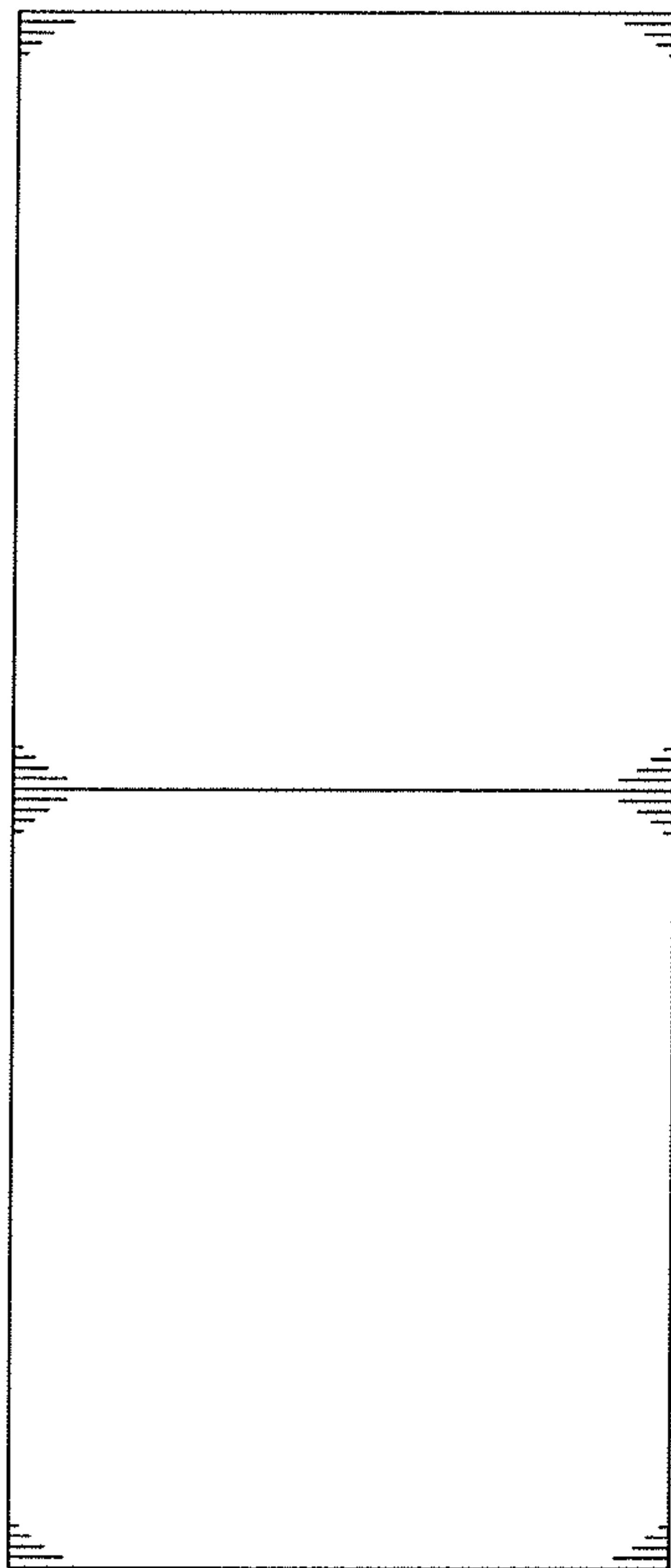


FIG. 8



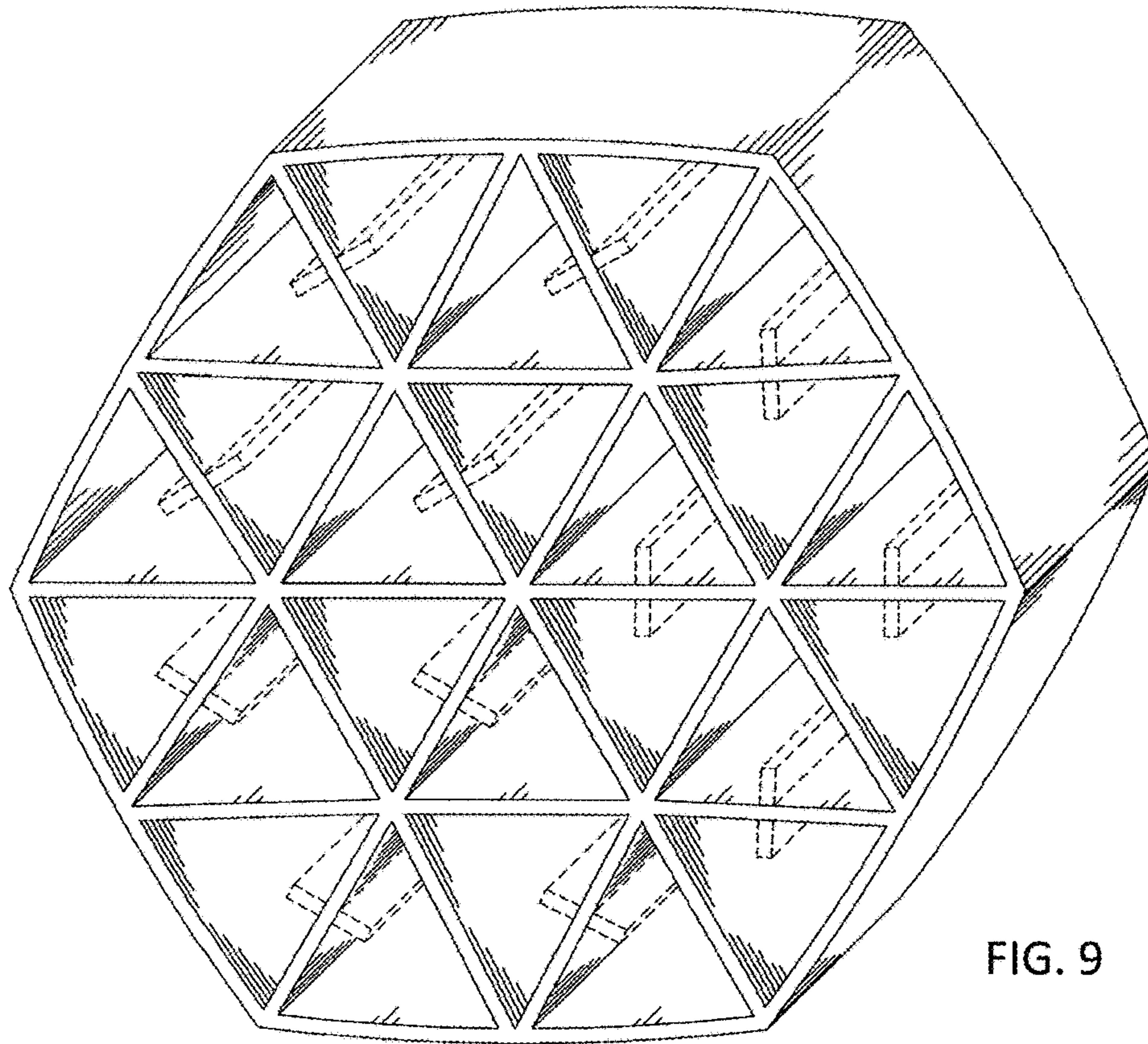


FIG. 9

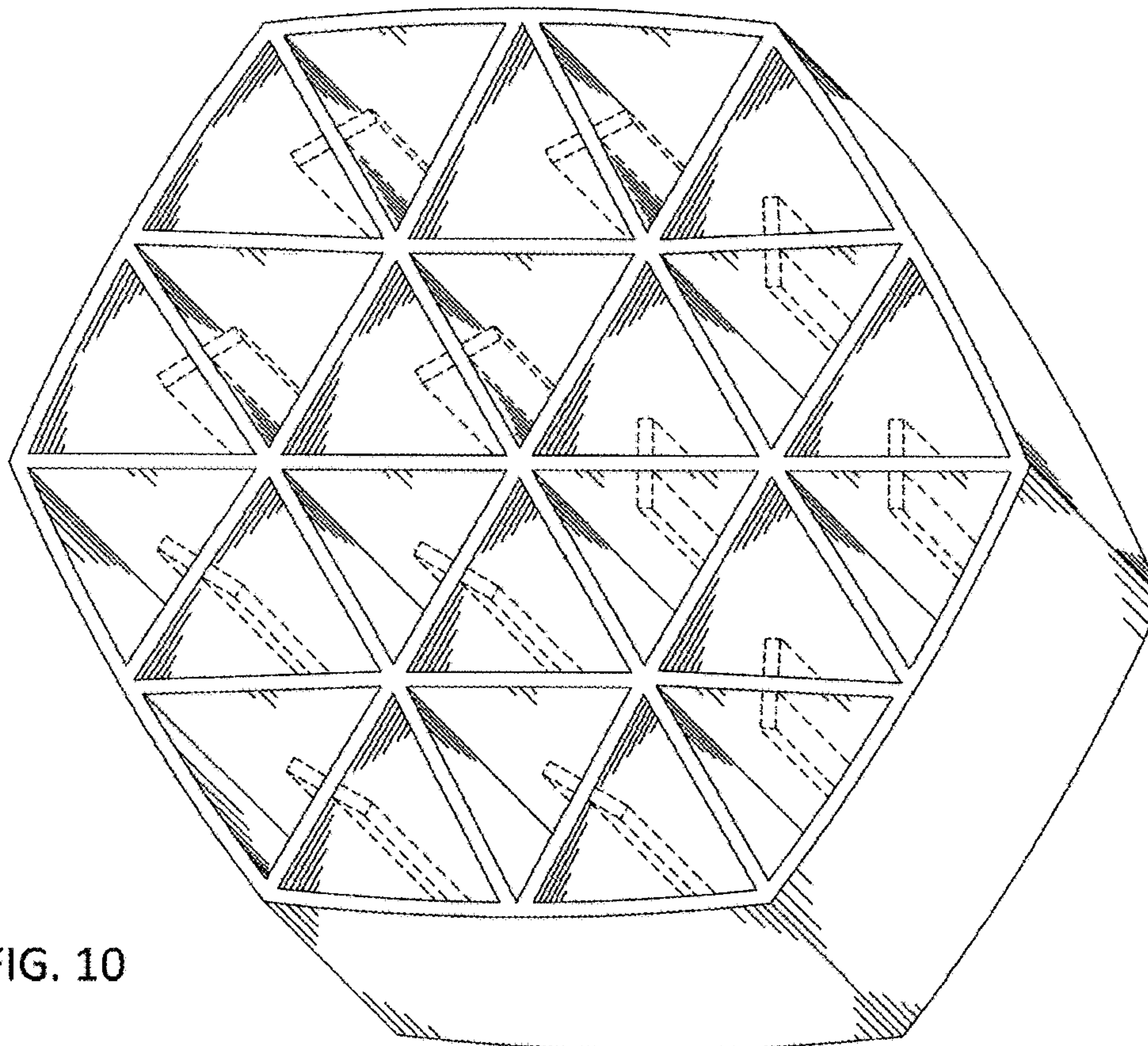


FIG. 10



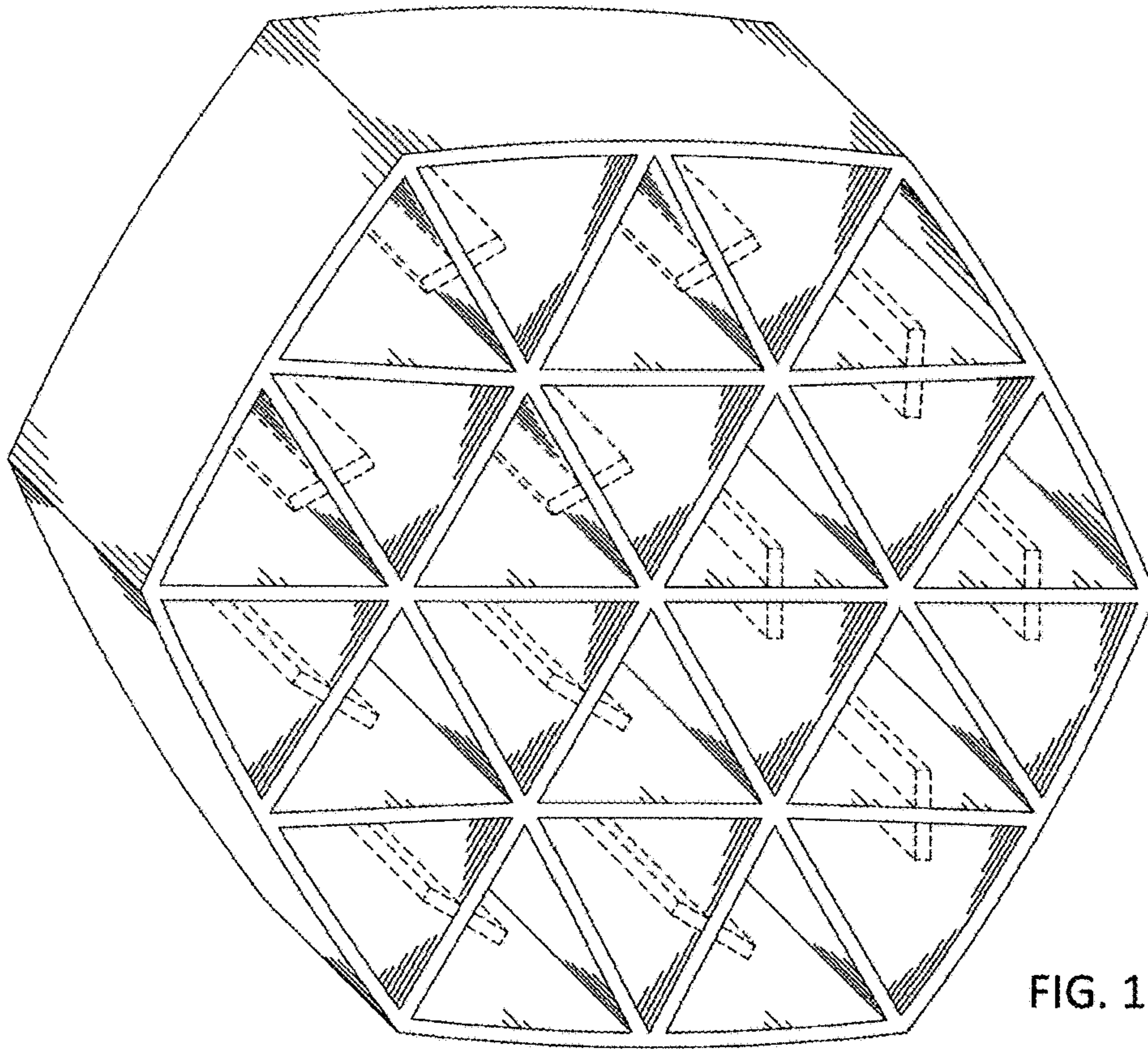


FIG. 11

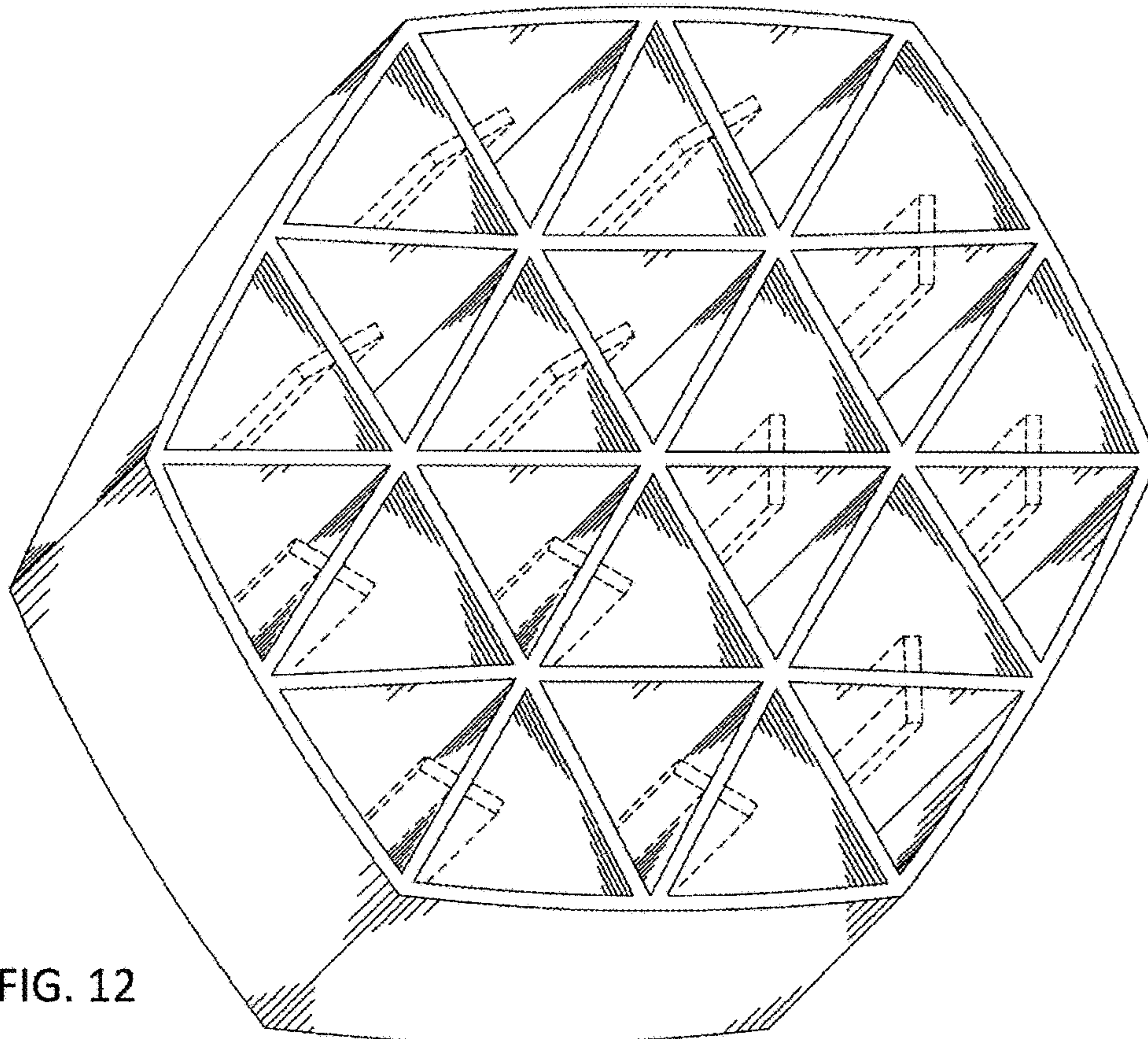


FIG. 12



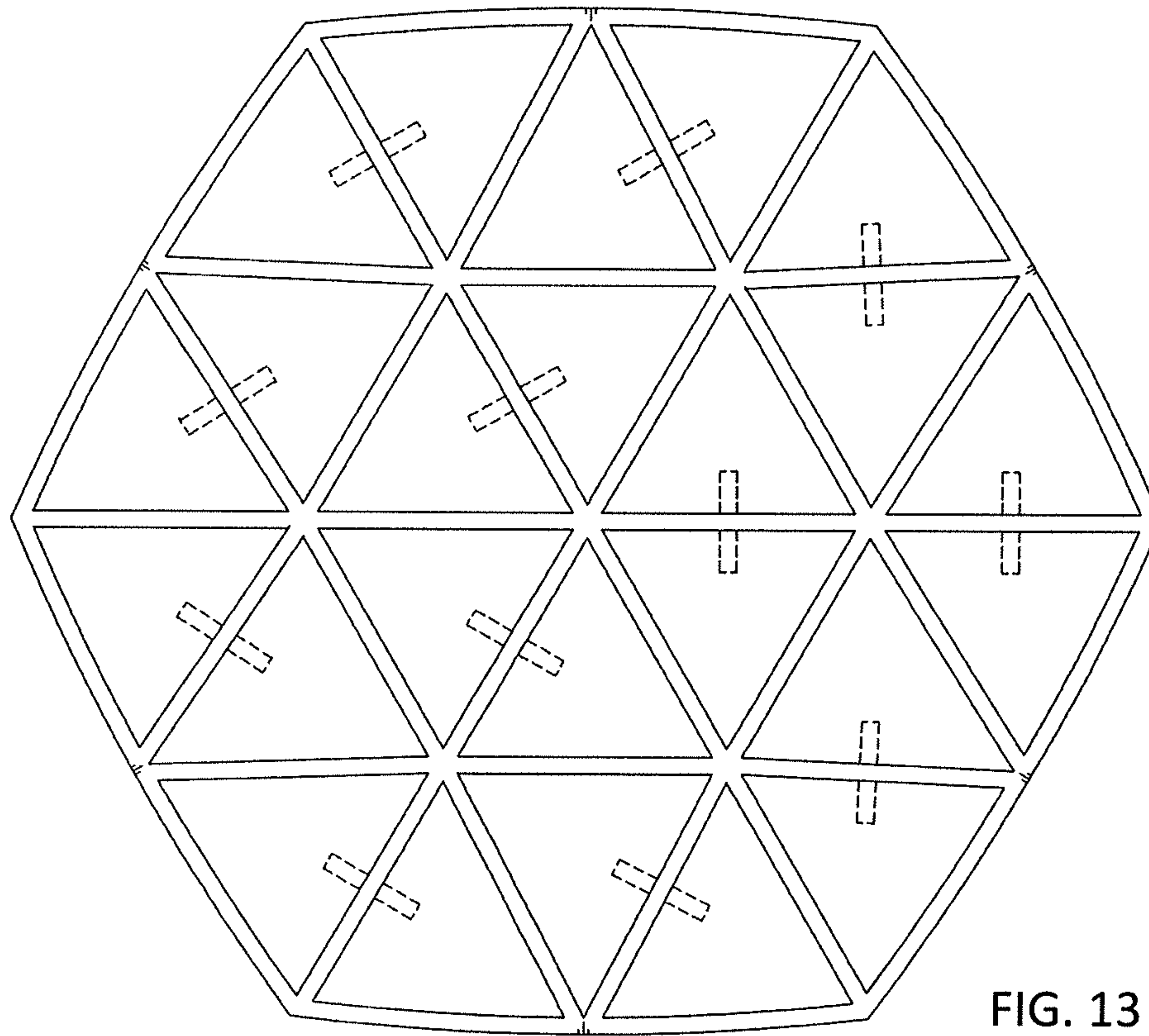


FIG. 13

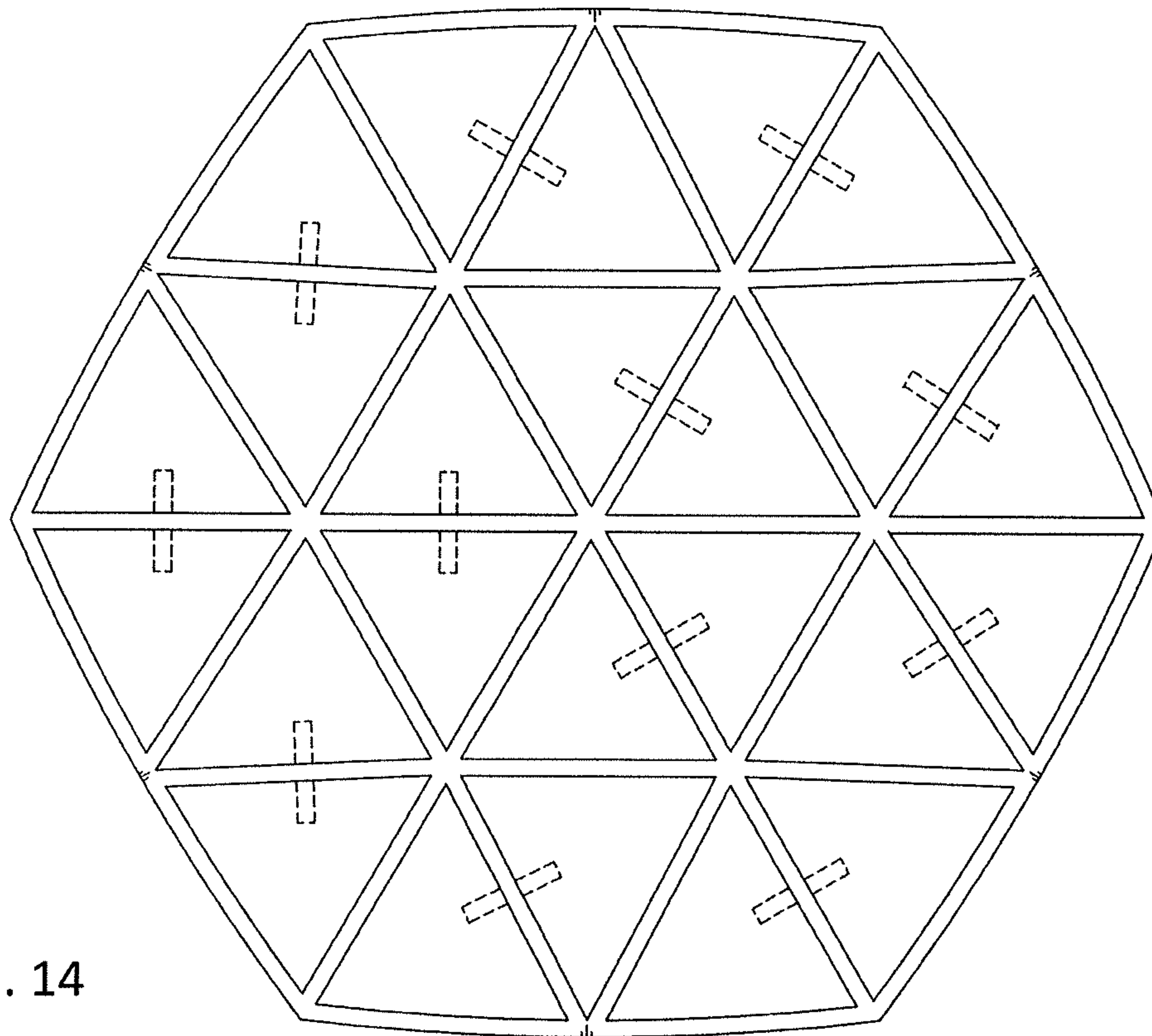


FIG. 14

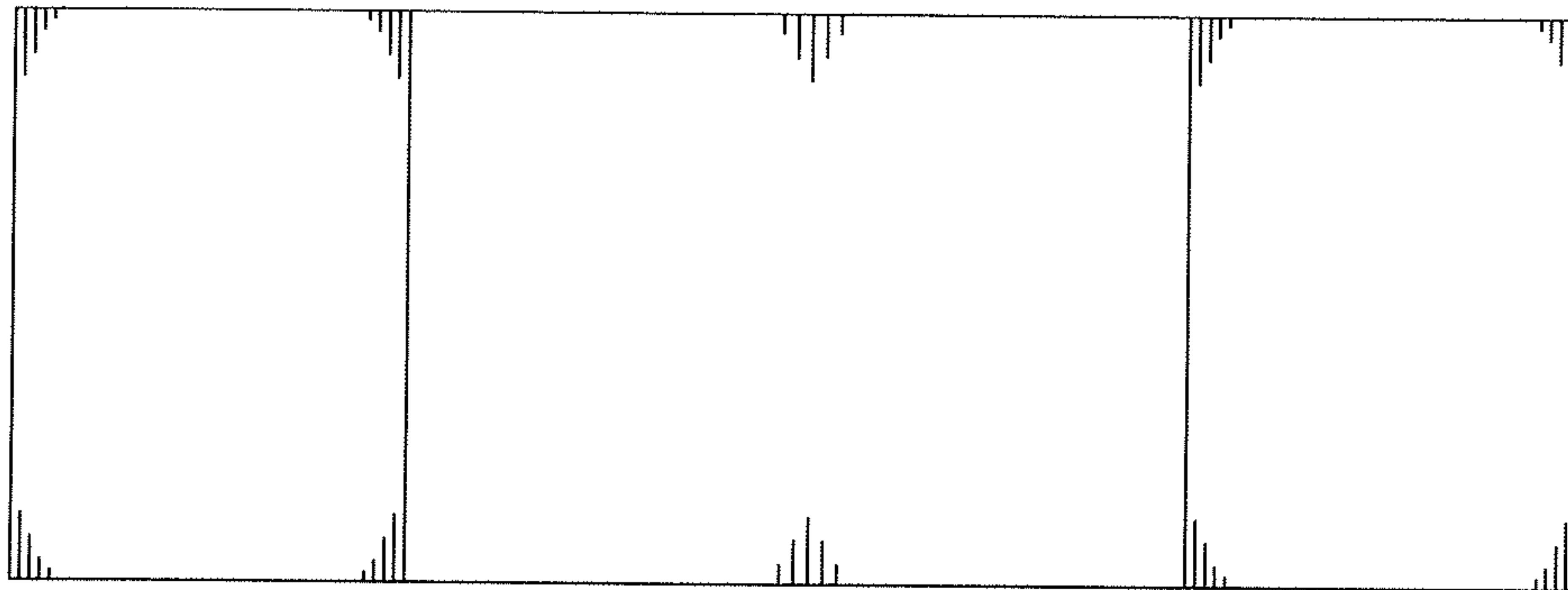


FIG. 15

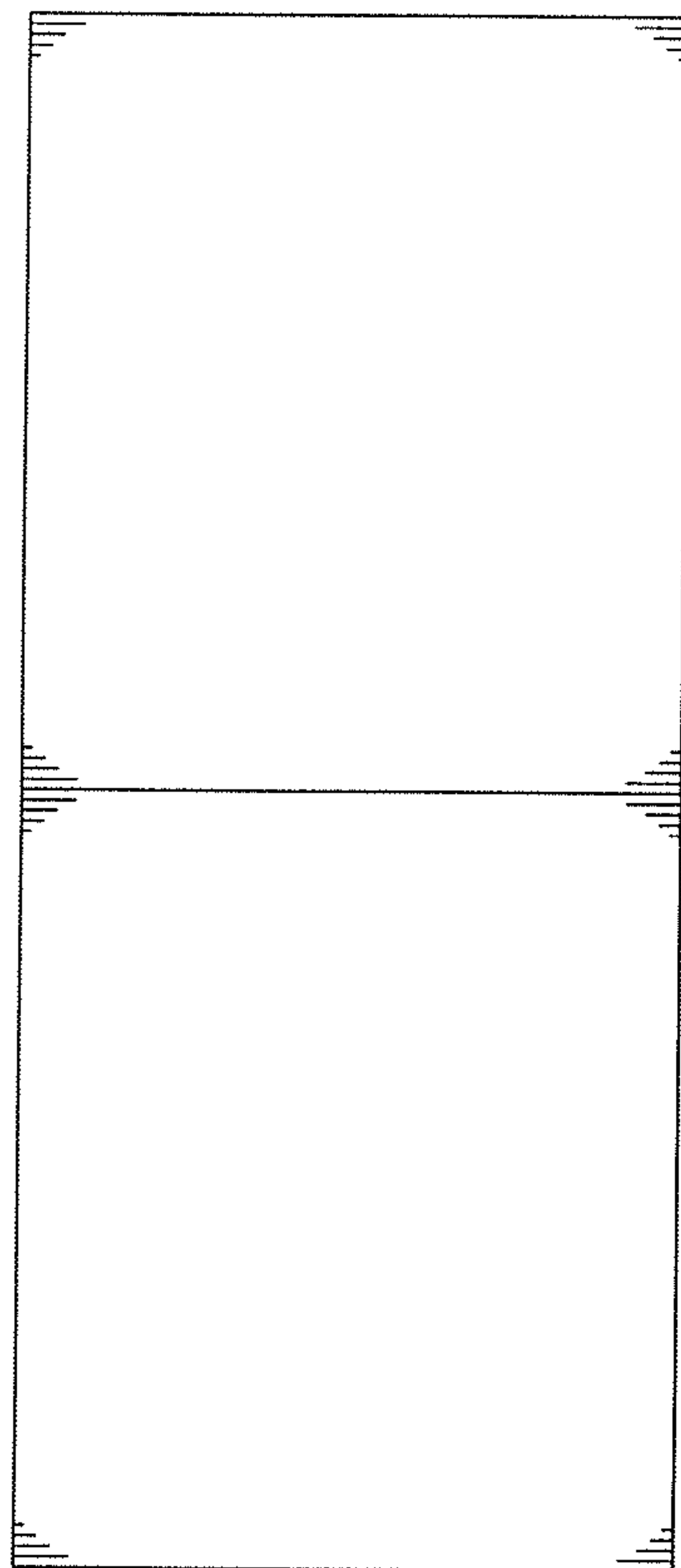


FIG. 16