



US00D872222S

(12) **United States Design Patent**
Friedman

(10) **Patent No.:** **US D872,222 S**
(45) **Date of Patent:** **** Jan. 7, 2020**

- (54) **DOUBLE TAIL FISHING WORM**
- (71) Applicant: **Bryan Friedman**, Chino, CA (US)
- (72) Inventor: **Bryan Friedman**, Chino, CA (US)
- (**) Term: **15 Years**
- (21) Appl. No.: **29/666,004**
- (22) Filed: **Oct. 9, 2018**
- (51) **LOC (12) Cl.** **22-05**
- (52) **U.S. Cl.**
USPC **D22/127**
- (58) **Field of Classification Search**
USPC D22/126-133; 43/42.24, 44.4, 44.8
CPC A01K 85/00; A01K 85/16
See application file for complete search history.

(56) **References Cited**

U.S. PATENT DOCUMENTS

2,979,850	A *	4/1961	Lund	A01K 85/00 43/42.24
3,349,513	A *	10/1967	Jeff	A01K 85/00 43/42.02
3,724,116	A *	4/1973	Lindner	A01K 85/00 43/42.24
D227,668	S *	7/1973	Norman	D22/127
3,983,656	A *	10/1976	Bain	A01K 85/00 43/42.24
D242,347	S *	11/1976	Carver	D22/127
D256,267	S *	8/1980	Stutzman	D22/127
8,544,204	B2 *	10/2013	Davis	A01K 85/00 43/42.24
D809,089	S *	1/2018	Cox	D22/127
D822,146	S *	7/2018	Carter	D22/127
D825,025	S	8/2018	Friedman		
D825,026	S	8/2018	Friedman		

* cited by examiner

Primary Examiner — Catherine R Oliver-Garcia
(74) *Attorney, Agent, or Firm* — Dunlap Bennett & Ludwig PLLC; Brendan E. Squire

(57) **CLAIM**

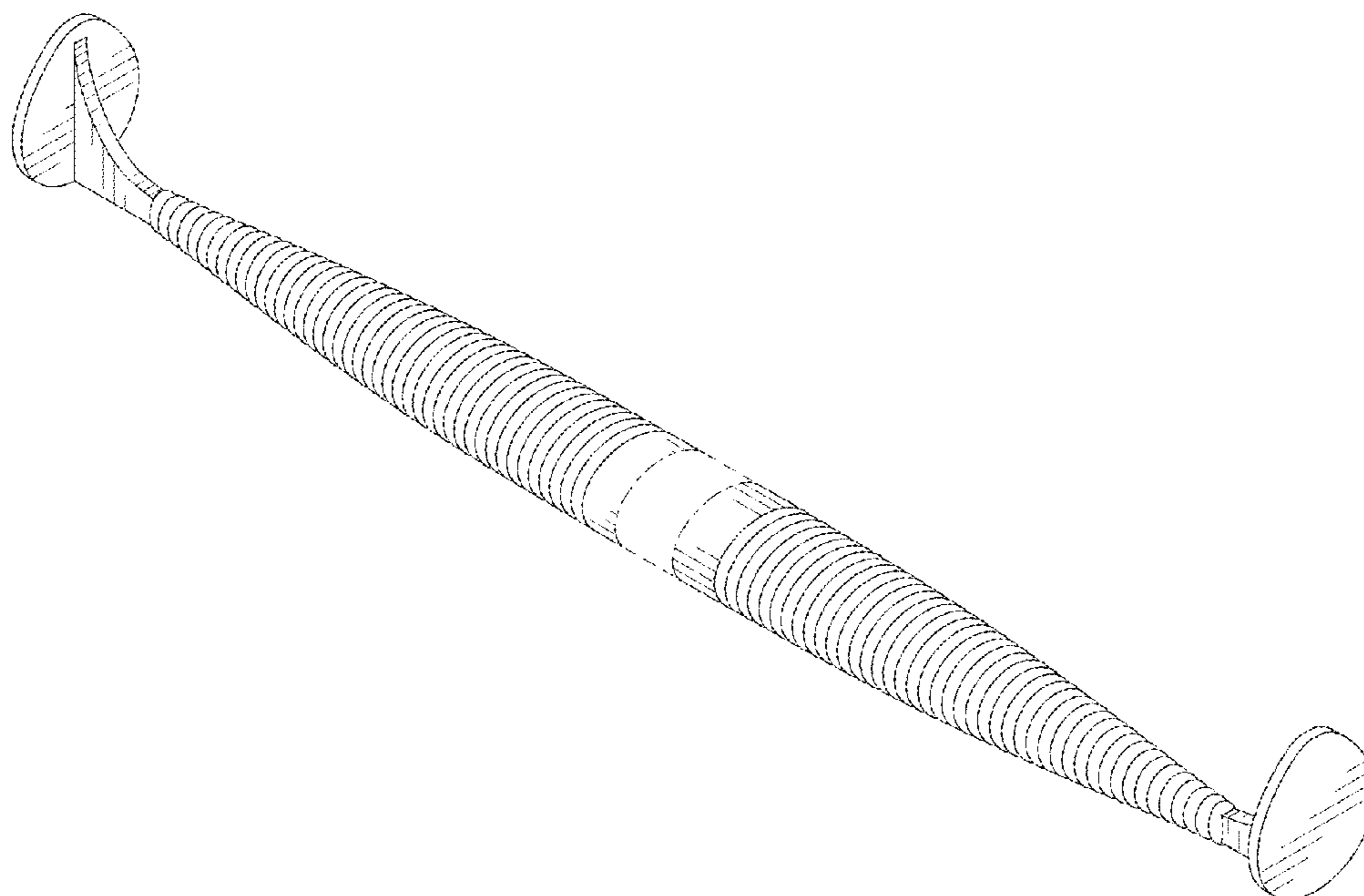
The ornamental design for a double tail fishing worm, as shown and described.

DESCRIPTION

FIG. 1 is a top front perspective view of a first embodiment of the double tail fishing worm showing my new design; FIG. 2 is a front elevation view of the first embodiment, with the rear elevation view being a mirror image thereof; FIG. 3 is a right elevation view of the first embodiment, with the left elevation view being a mirror image thereof; FIG. 4 is a top plan view of the first embodiment; FIG. 5 is a bottom plan view of the first embodiment; FIG. 6 is a top front perspective view of the second embodiment; FIG. 7 is a front elevation view of the second embodiment of the double tail fishing worm, with the rear elevation view being a mirror image thereof; FIG. 8 is a right elevation view of the second embodiment, with the left elevation view being a mirror image thereof; FIG. 9 is a top elevation view of the second embodiment; and, FIG. 10 is a bottom elevation view of the second embodiment.

The double tail fishing worm is shown with a symbolic break in its length. The appearance of any portion of the article between the break lines forms no part of the claimed design.

1 Claim, 4 Drawing Sheets



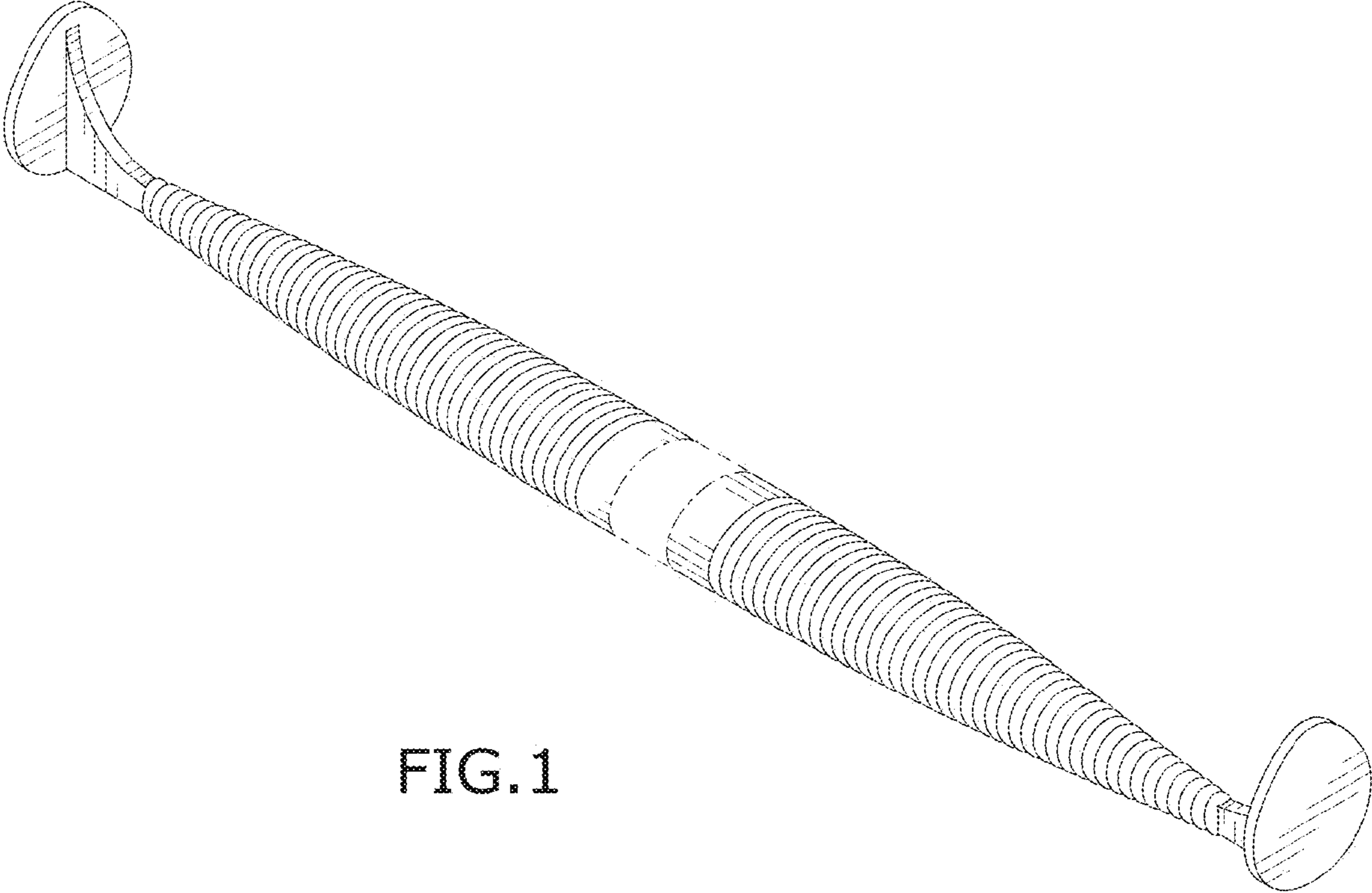


FIG.1

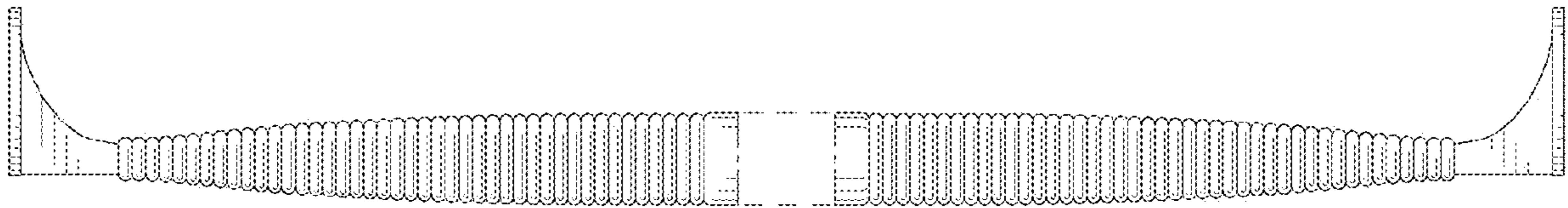


FIG. 2

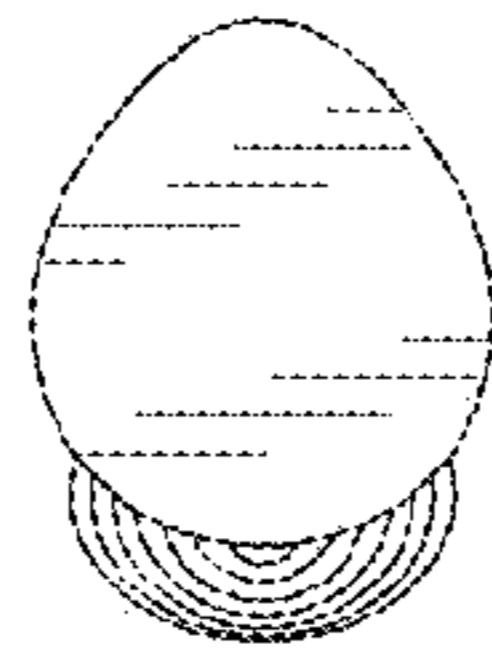


FIG. 3

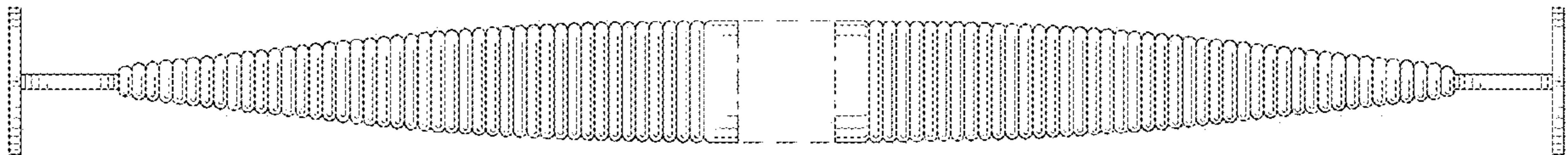


FIG. 4

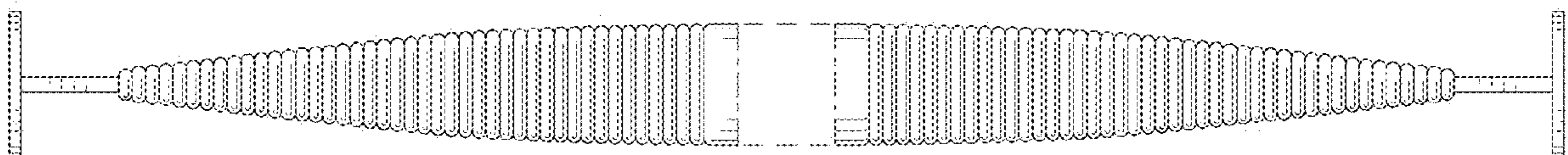


FIG. 5

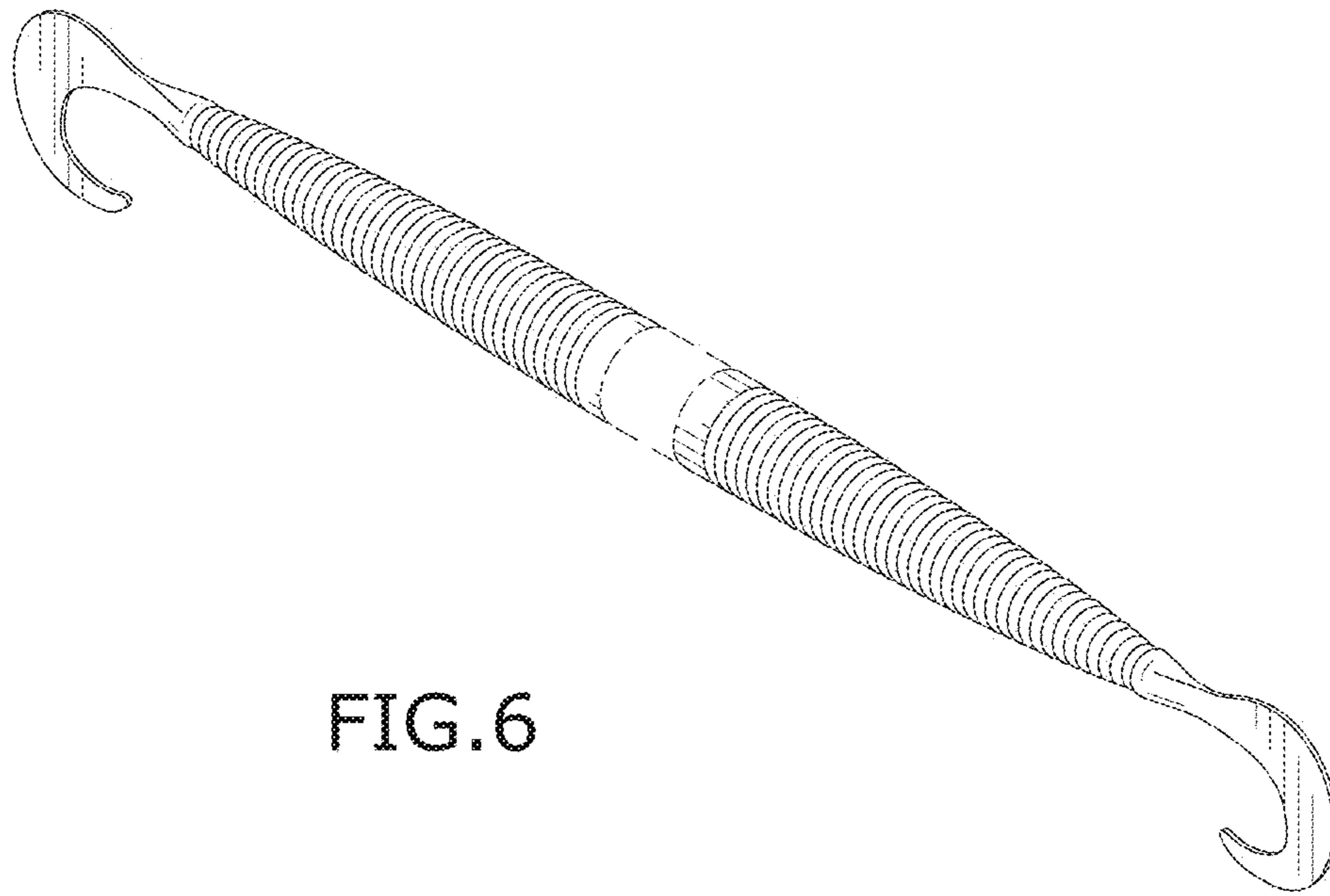


FIG. 6



FIG. 7

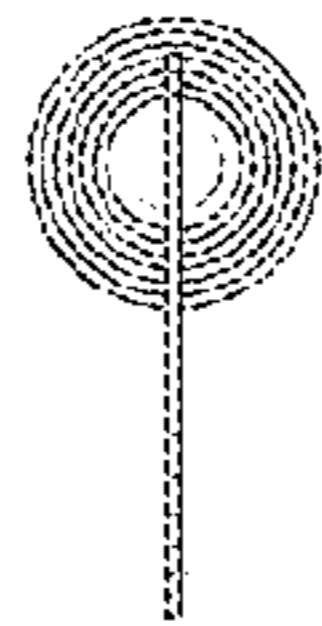


FIG. 8



FIG. 9



FIG. 10