



US00D872219S

(12) **United States Design Patent** (10) **Patent No.:** **US D872,219 S**  
**Horton et al.** (45) **Date of Patent:** **\*\* Jan. 7, 2020**

(54) **FIREARM SIGHT**  
(71) Applicant: **Sellmark Corporation**, Mansfield, TX (US)  
(72) Inventors: **Jonathan Horton**, Arlington, TX (US); **Andrew Pischke**, Mansfield, TX (US)  
(73) Assignee: **Sellmark Corporation**, Mansfield, TX (US)  
(\*\*) Term: **15 Years**  
(21) Appl. No.: **29/639,194**  
(22) Filed: **Mar. 5, 2018**  
(51) **LOC (12) Cl.** ..... **22-01**  
(52) **U.S. Cl.**  
USPC ..... **D22/109**  
(58) **Field of Classification Search**  
USPC ..... D22/108, 109, 110; D15/139; D8/381  
CPC ..... F41A 19/11; F41A 17/54; F41A 33/00;  
F41G 1/26; F41G 1/16; F41G 1/30  
See application file for complete search history.

2014/0096431 A1\* 4/2014 Tang ..... F41G 1/30  
42/132  
2015/0267997 A1\* 9/2015 Collin ..... G03H 1/0005  
359/1  
2016/0327366 A1\* 11/2016 Campean ..... F41G 1/18  
2018/0292168 A1\* 10/2018 Borrico ..... F41G 1/30

**OTHER PUBLICATIONS**

Amazon.com, Sightmark SM26031 Ultra Shot R-Spec Reflex Sight, Earliest comment date Jul. 31, 2018, [site visited Jun. 19, 2019]. Available on the Internet URL [https://www.amazon.com/Sightmark-SM26031-Ultra-R-Spec-Reflex/dp/B078GJQKXS/ref=cm\\_cr\\_arpd\\_product\\_top?ie=UTF8](https://www.amazon.com/Sightmark-SM26031-Ultra-R-Spec-Reflex/dp/B078GJQKXS/ref=cm_cr_arpd_product_top?ie=UTF8) (Year: 2018).\*

\* cited by examiner

*Primary Examiner* — Karen S Acker  
*Assistant Examiner* — Steven B Reinholdt, Jr.  
(74) *Attorney, Agent, or Firm* — Mark D. Perdue

(57) **CLAIM**

The ornamental design for the firearm sight, as shown and described.

(56) **References Cited**

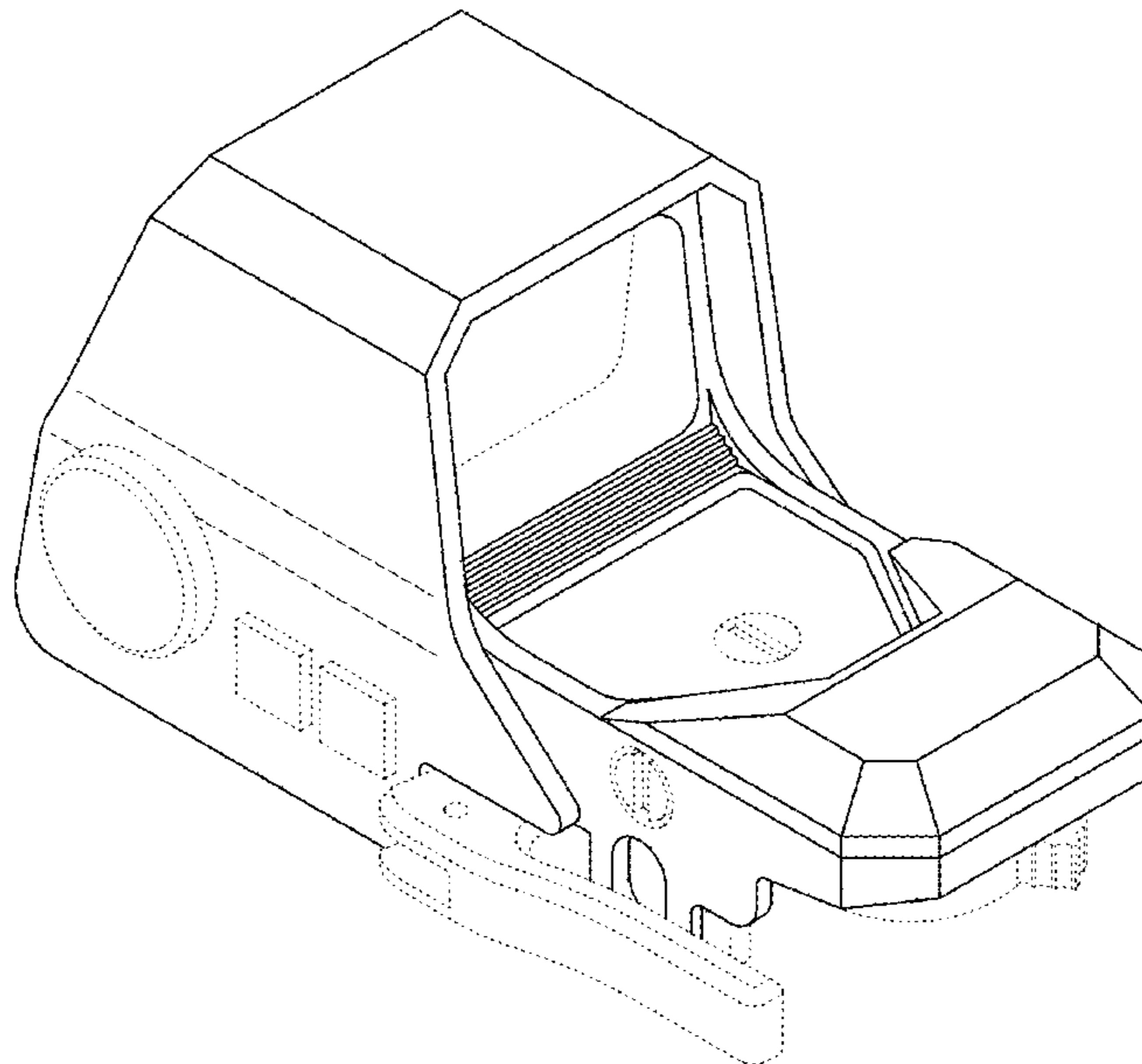
**U.S. PATENT DOCUMENTS**

D378,936 S \* 4/1997 DePaoli ..... D22/109  
D450,800 S \* 11/2001 Sheehan ..... D22/109  
D460,512 S \* 7/2002 Sheehan ..... D22/109  
D662,566 S \* 6/2012 Estes ..... D22/109  
D704,296 S \* 5/2014 Cheng ..... D22/109  
D730,477 S \* 5/2015 Huynh ..... D22/109  
D747,431 S \* 1/2016 Cheng ..... D22/109  
D784,480 S \* 4/2017 Oz ..... D22/109  
10,139,197 B1 \* 11/2018 Horton ..... F41G 1/065  
D846,689 S \* 4/2019 Cheng ..... D22/109  
D846,690 S \* 4/2019 Cheng ..... D22/109  
D847,292 S \* 4/2019 Hoff ..... D22/109  
D848,567 S \* 5/2019 Soejima ..... D22/109  
D849,180 S \* 5/2019 Cheng ..... D22/109

**DESCRIPTION**

FIG. 1 is an isometric view of a firearm sight.  
FIG. 2 is a left side view of the firearm sight of FIG. 1.  
FIG. 3 is a right side view of the firearm sight of FIG. 1.  
FIG. 4 is a rear view of the firearm sight of FIG. 1.  
FIG. 5 is a front view of the firearm sight of FIG. 1.  
FIG. 6 is a top view of the firearm sight of FIG. 1; and,  
FIG. 7 is a bottom view of the firearm sight of FIG. 1.  
The broken lines illustrating features, forms, and the edges of planes depict portions of the firearm sight that form part of the claimed design.

**1 Claim, 6 Drawing Sheets**



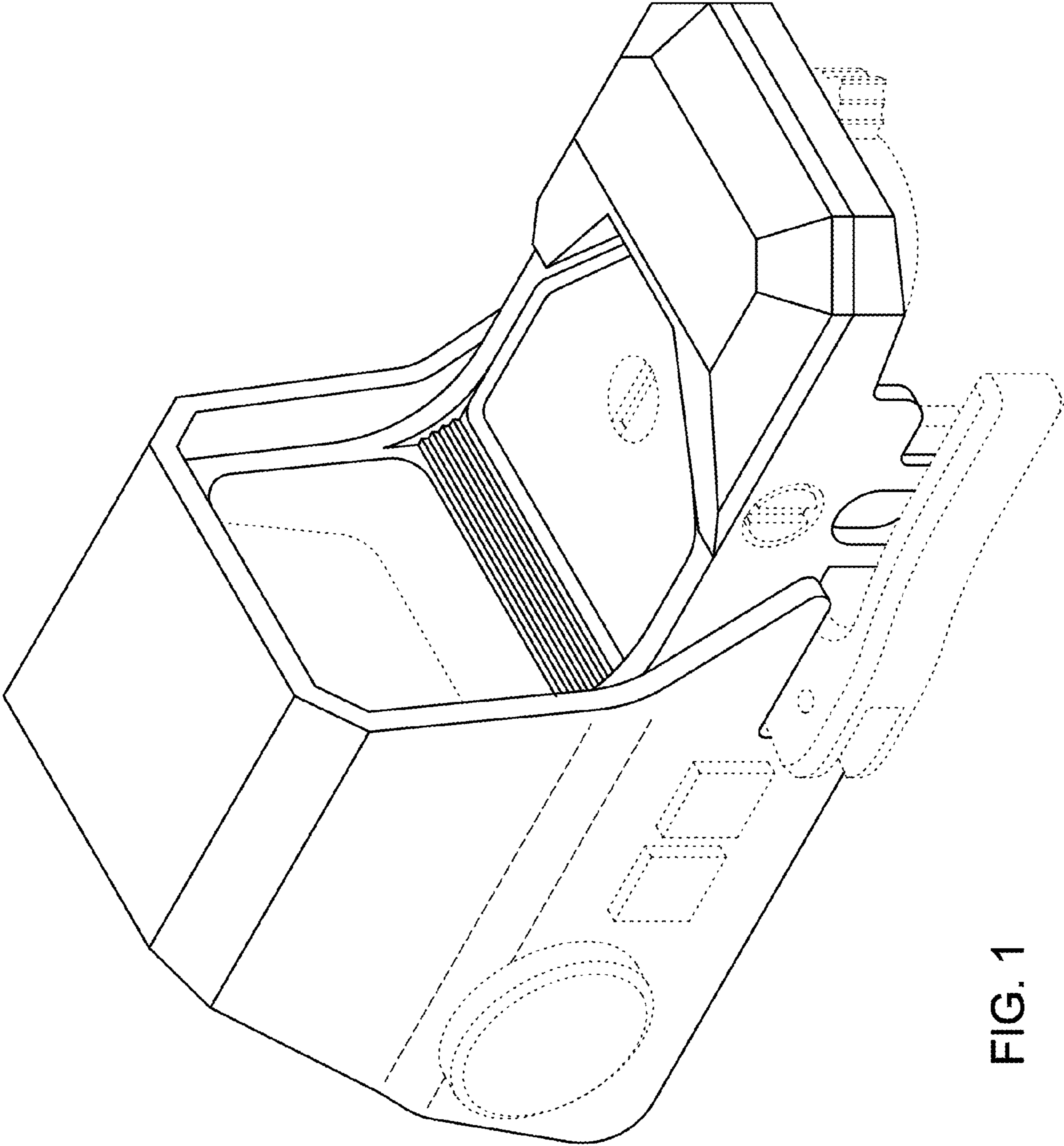


FIG. 1

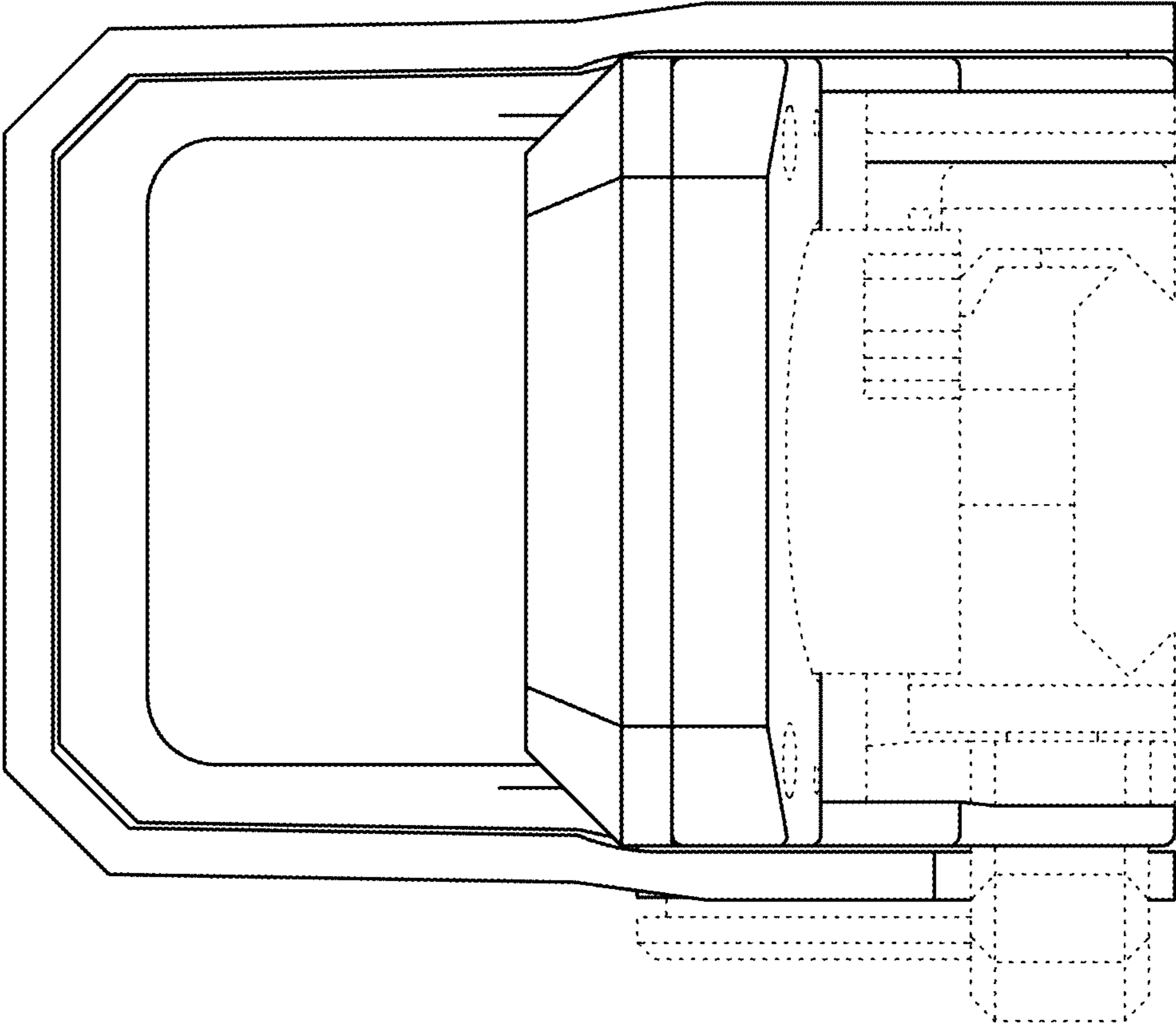


FIG. 2

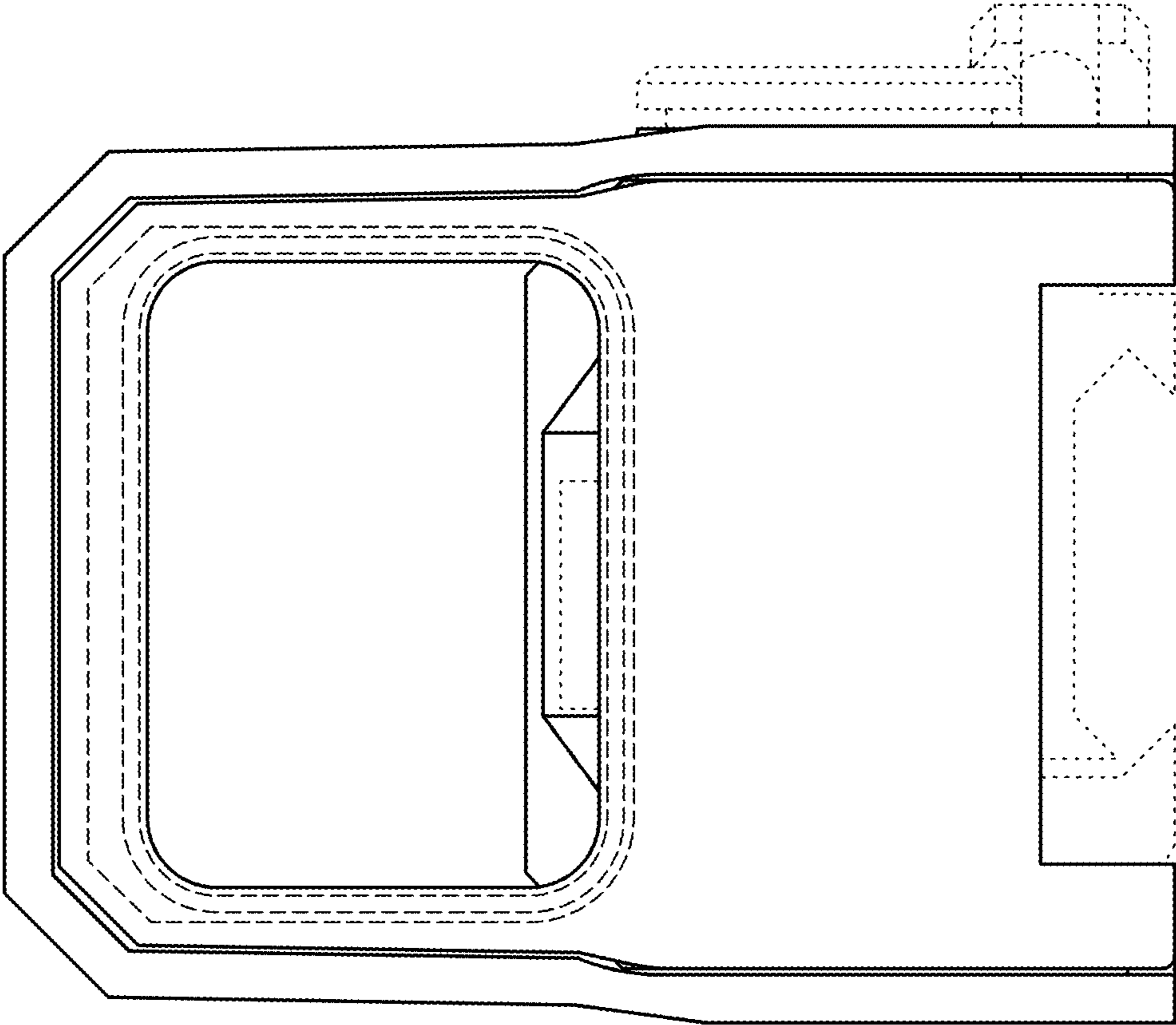


FIG. 3

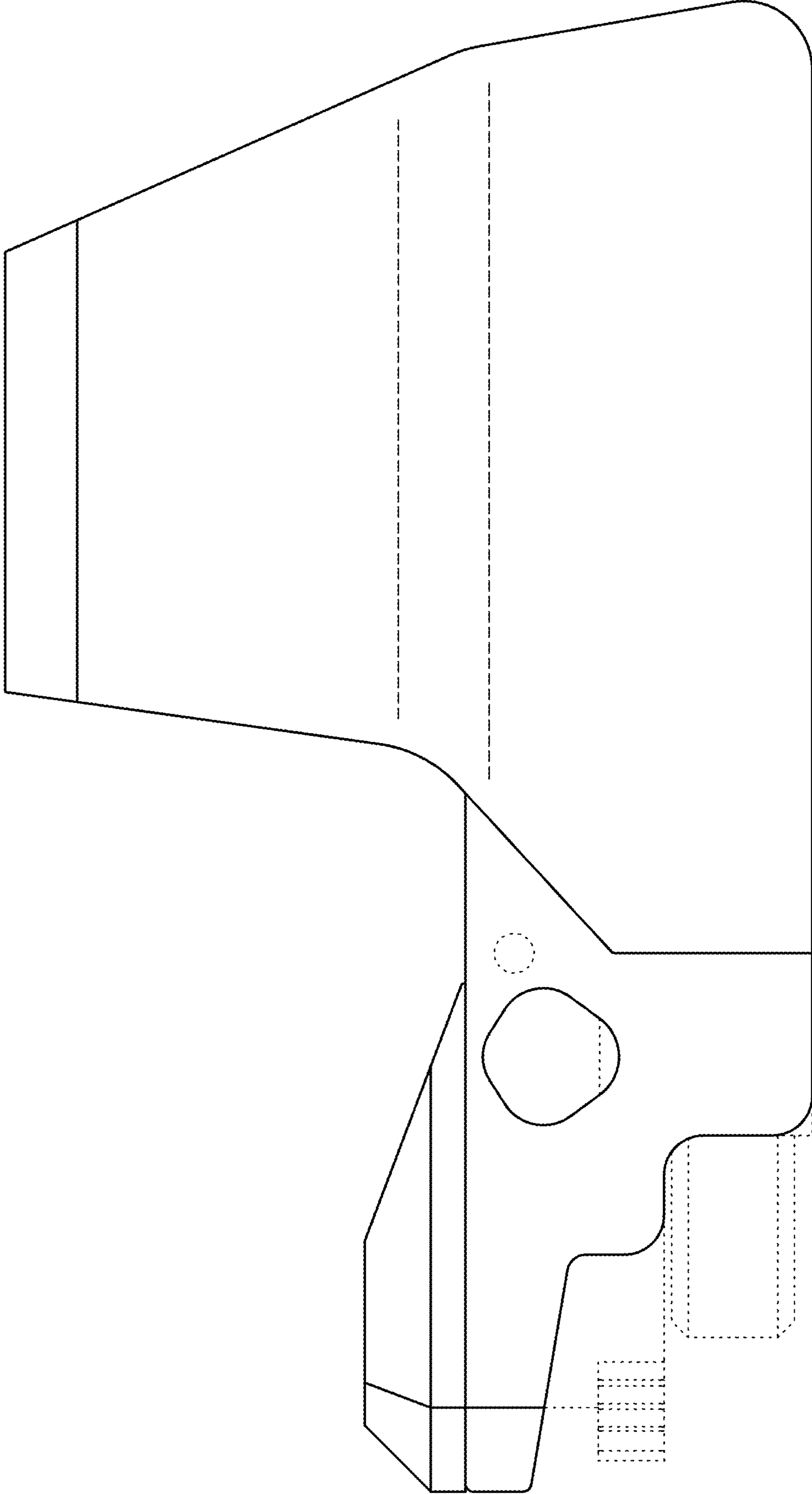


FIG. 4

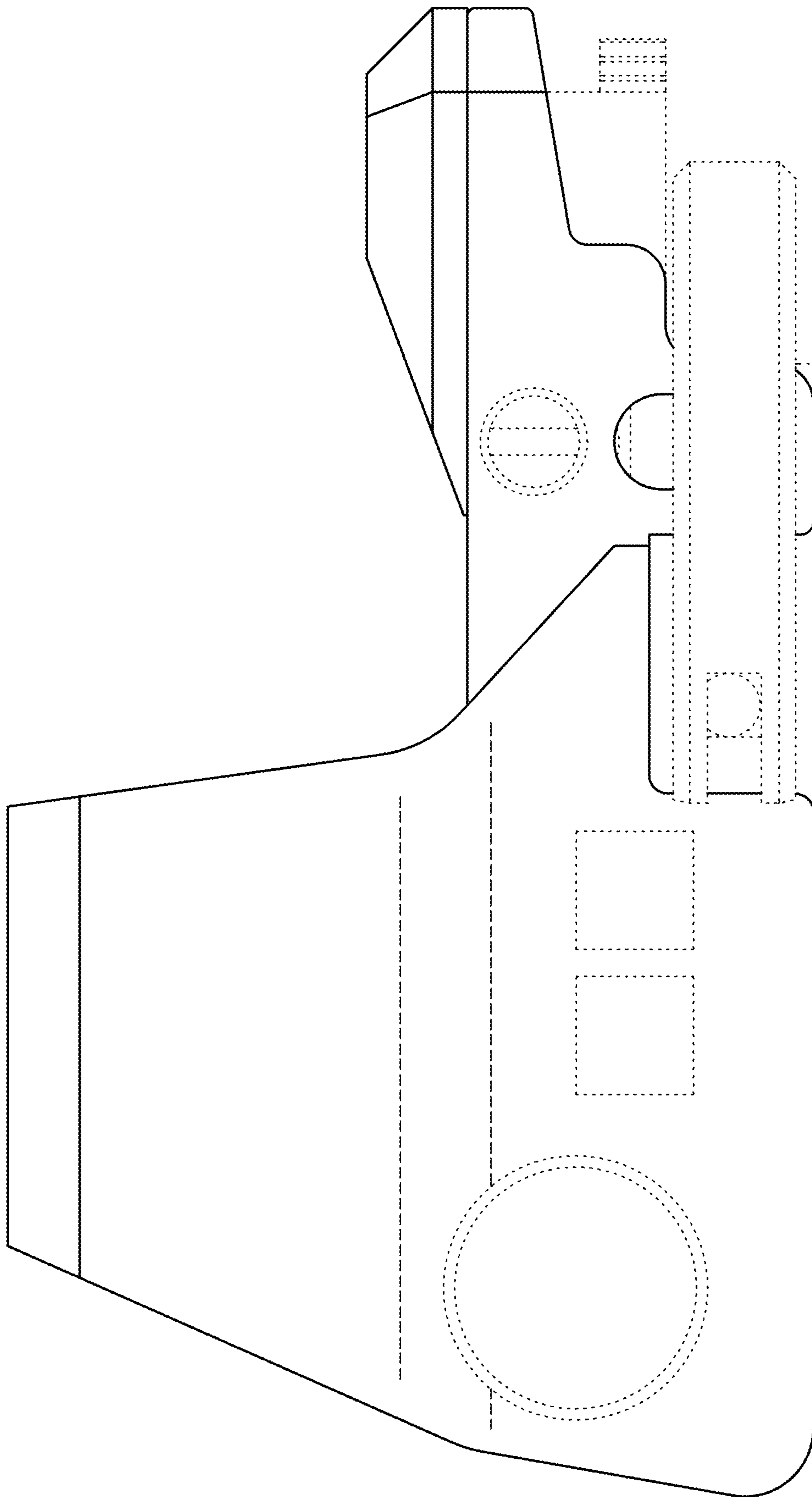


FIG. 5

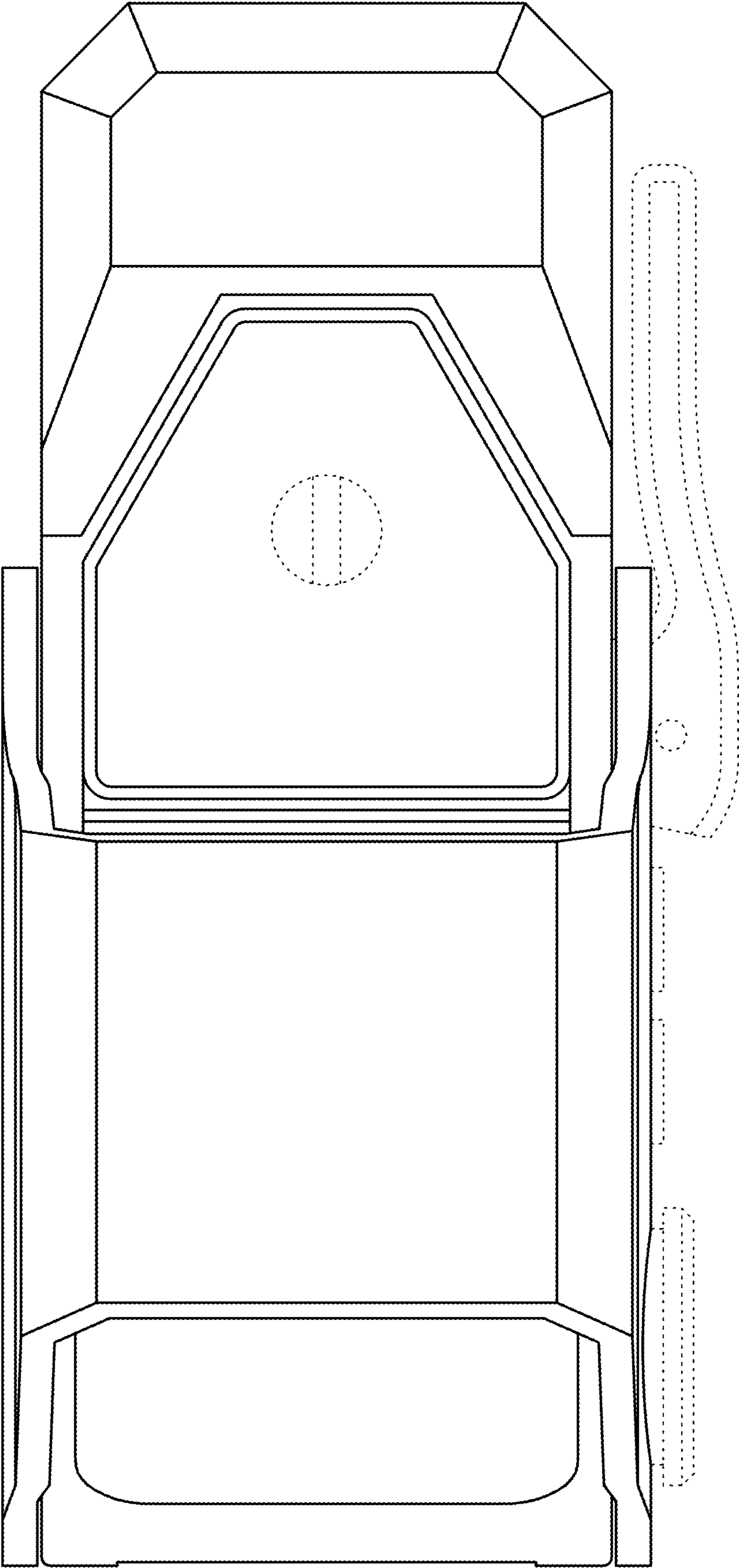


FIG. 6

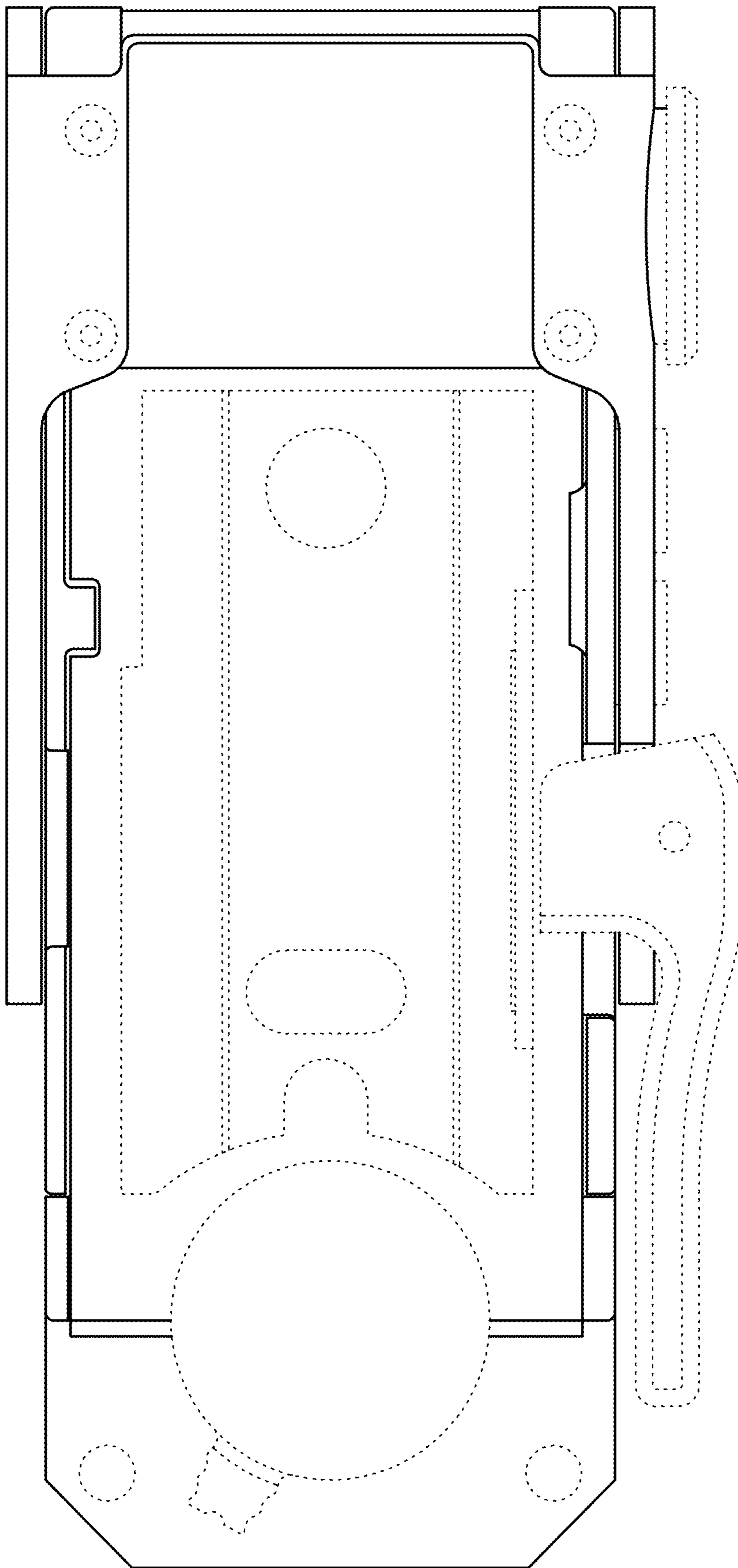


FIG. 7