



US00D872217S

(12) **United States Design Patent**
Tal et al.

(10) **Patent No.:** **US D872,217 S**
(45) **Date of Patent:** **** Jan. 7, 2020**

- (54) **LOADER FOR A FIREARM MAGAZINE**
- (71) Applicants: **Ran Tal**, Tel Aviv (IL); **Guy Tal**, Rosh Ha'Ayin (IL)
- (72) Inventors: **Ran Tal**, Tel Aviv (IL); **Guy Tal**, Rosh Ha'Ayin (IL)
- (73) Assignee: **MAGLULA, LTD.**, Rosh Ha'ayn (IL)
- (**) Term: **15 Years**
- (21) Appl. No.: **29/669,294**
- (22) Filed: **Nov. 7, 2018**
- (51) **LOC (12) Cl.** **22-01**
- (52) **U.S. Cl.**
USPC **D22/108**
- (58) **Field of Classification Search**
USPC D22/100, 103, 104, 105, 108, 109, 110,
D22/111, 199; D21/567, 573, 574, 575
CPC F41C 23/04; F41C 23/08; F41C 23/16;
F41G 1/02; F41G 1/027; F41G 1/06;
F41A 17/46; F41A 19/11
See application file for complete search history.

(56) **References Cited**

U.S. PATENT DOCUMENTS

- 4,993,180 A * 2/1991 Upchurch F41A 9/83
42/87
- D677,178 S * 3/2013 Delgado Acarreta D10/46
- D728,066 S * 4/2015 Tal D22/199
- 9,212,859 B1 * 12/2015 Tal F41A 9/83
- D821,534 S * 6/2018 Couie D22/108
- D824,477 S * 7/2018 Hefer D22/108
- D827,757 S * 9/2018 Hefer D22/108
- D829,293 S * 9/2018 Hefer D22/108
- D836,178 S * 12/2018 Hefer D22/108
- D839,985 S * 2/2019 Sealing D22/108
- D845,424 S * 4/2019 Hefer D22/108
- D846,056 S * 4/2019 Hefer D22/108
- 2007/0107291 A1 * 5/2007 Tal F41A 9/83
42/87

- 2008/0184608 A1 * 8/2008 Tal F41A 9/83
42/87
- 2012/0152221 A1 * 6/2012 Meggs F41A 9/83
124/41.1
- 2014/0298704 A1 * 10/2014 Niccum F41A 9/83
42/87

FOREIGN PATENT DOCUMENTS

- WO WO-2006109315 A2 * 10/2006 F41A 9/83

OTHER PUBLICATIONS

“10/22 LULA Loader & Unloader set” [online]. maglula. [Published on Nov. 22, 2018]. Retrieved from the Internet: <<https://www.youtube.com/watch?v=CtJ56-EONmo>>.*

* cited by examiner

Primary Examiner — Khawaja Anwar
Assistant Examiner — Mojtaba Tehrani
(74) *Attorney, Agent, or Firm* — David Pressman

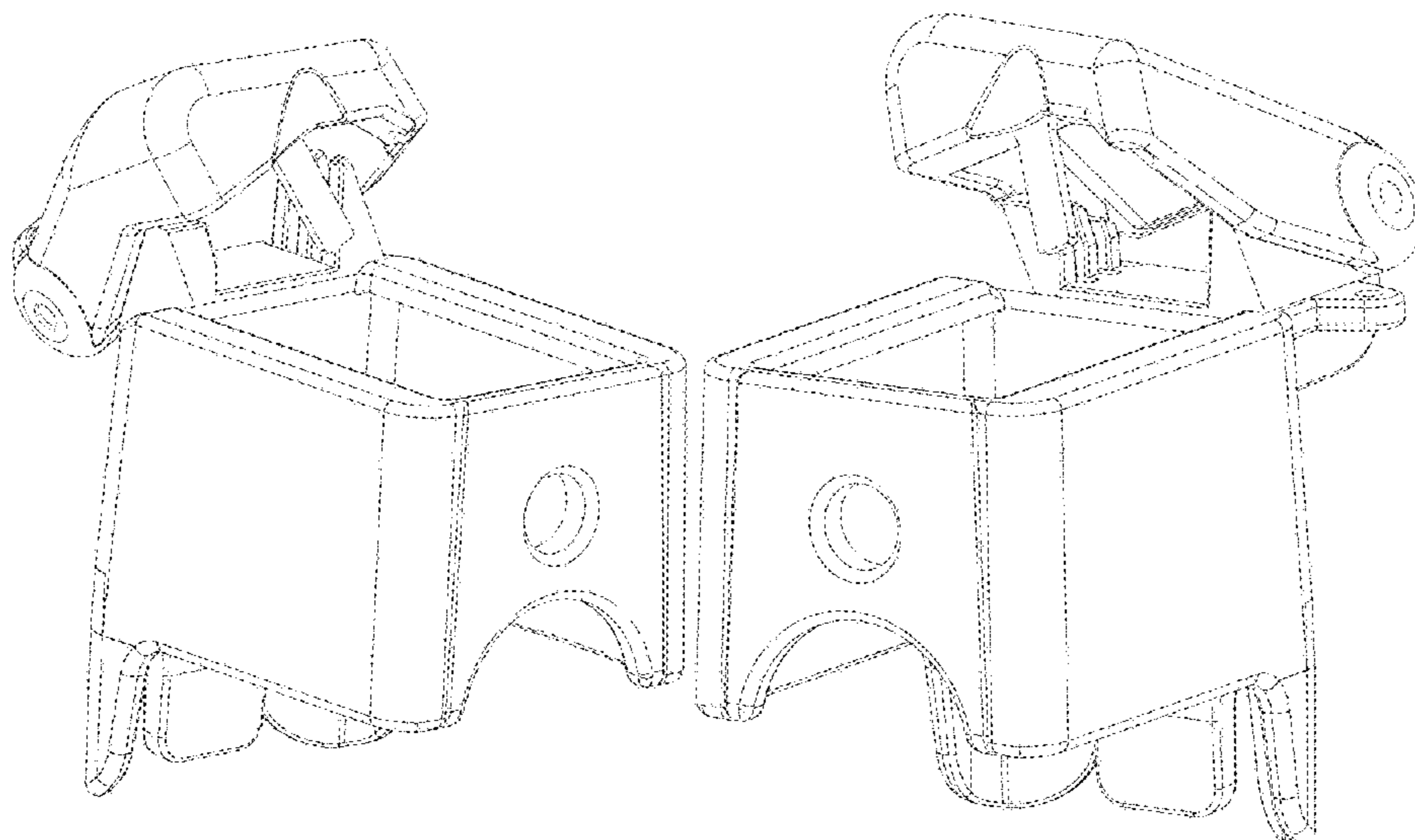
(57) **CLAIM**

The ornamental design for a loader for a firearm magazine, as shown and described.

DESCRIPTION

FIG. 1 is an isometric view of our loader for a firearm magazine as seen from above, front, and left.
 FIG. 2 is an elevation view as seen from the front.
 FIG. 3 is an isometric view as seen from the bottom, front, and right.
 FIG. 4 is an isometric view as seen from above, back, and right.
 FIG. 5 is a plan view.
 FIG. 6 is an isometric view as seen from above, back, and left.
 FIG. 7 is an elevation view as seen from the back; and,
 FIG. 8 is an elevation view from above, front, and right.

1 Claim, 4 Drawing Sheets



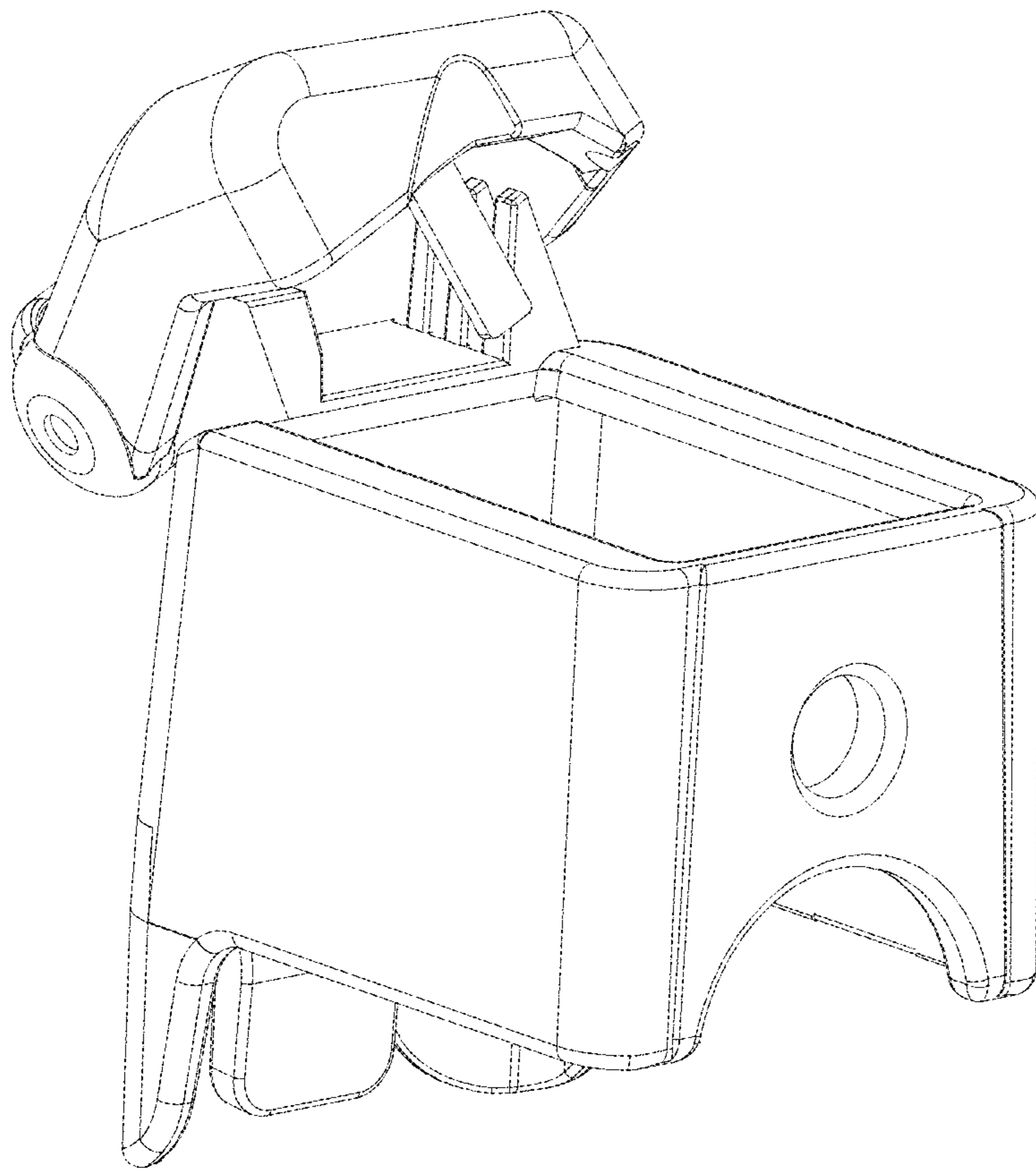


FIG. 1

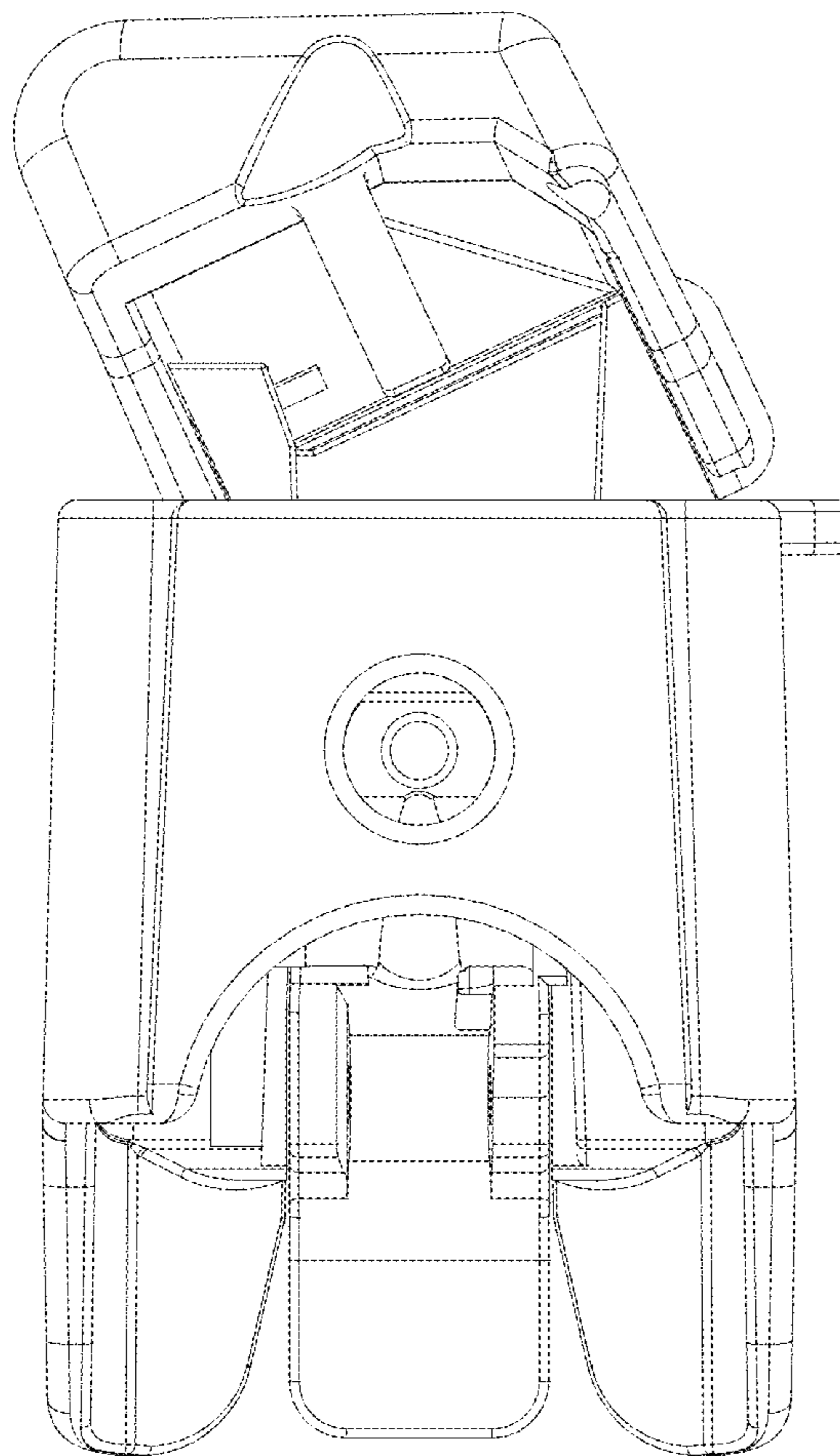


FIG. 2

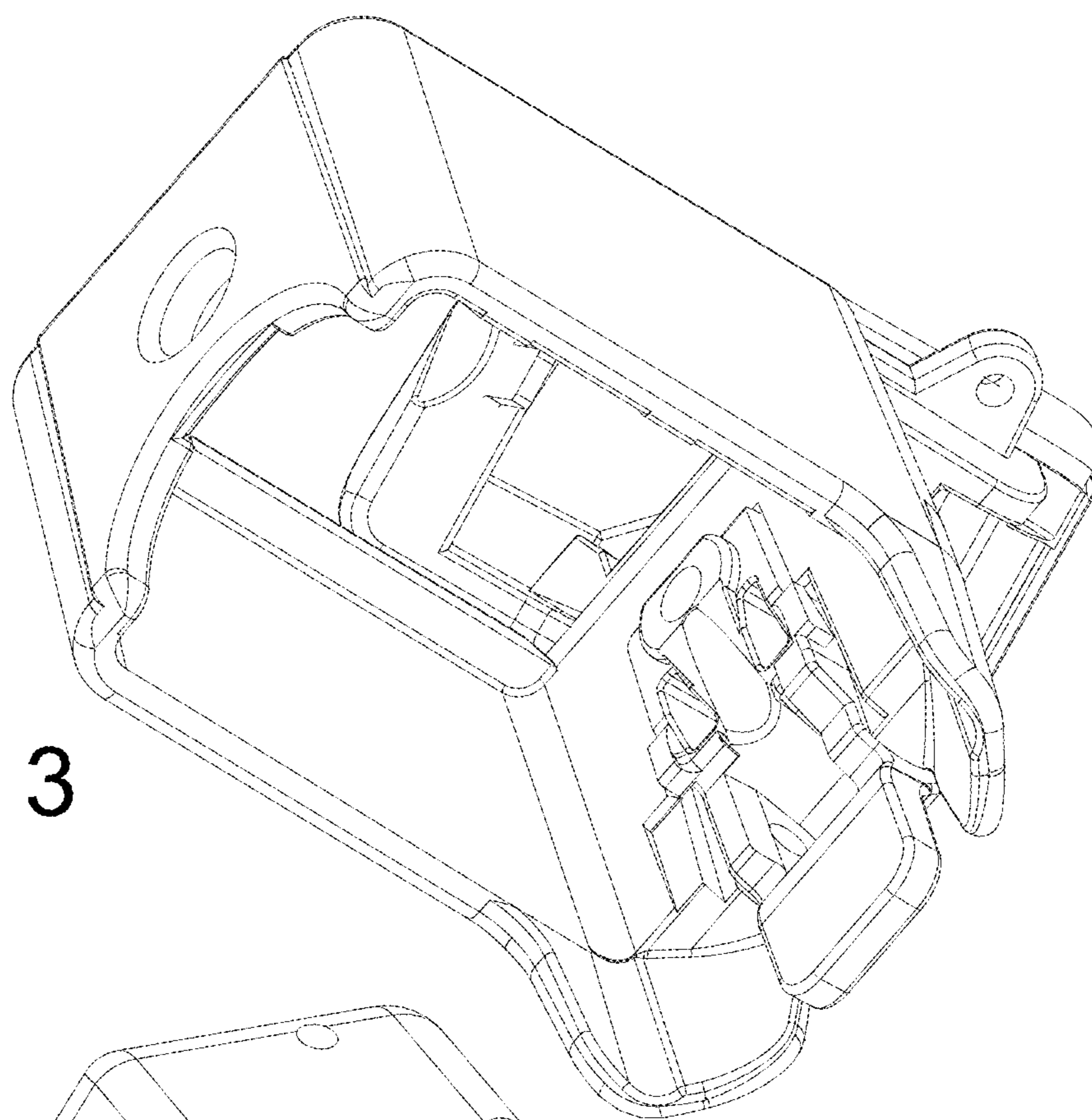


FIG. 3

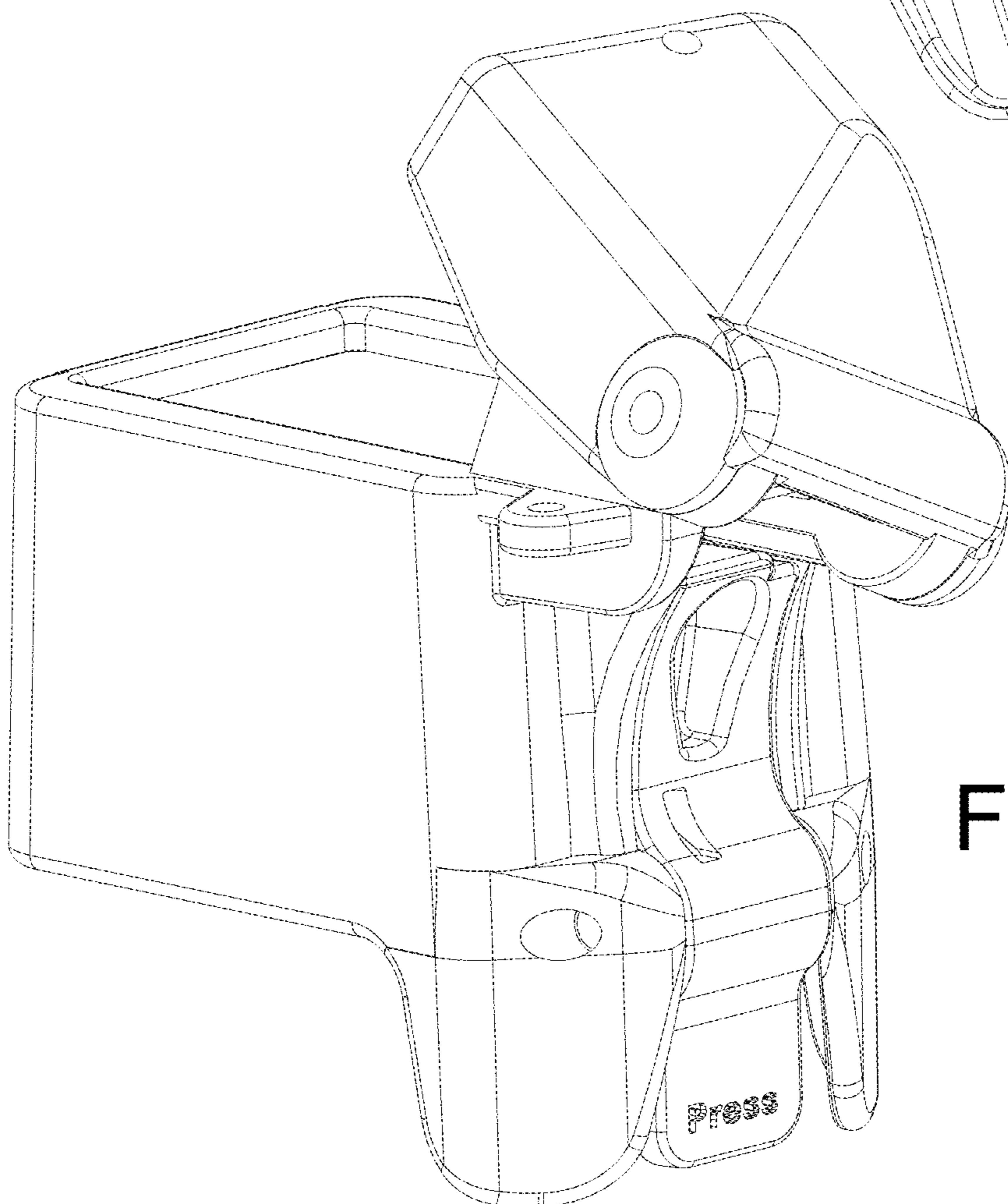


FIG. 4

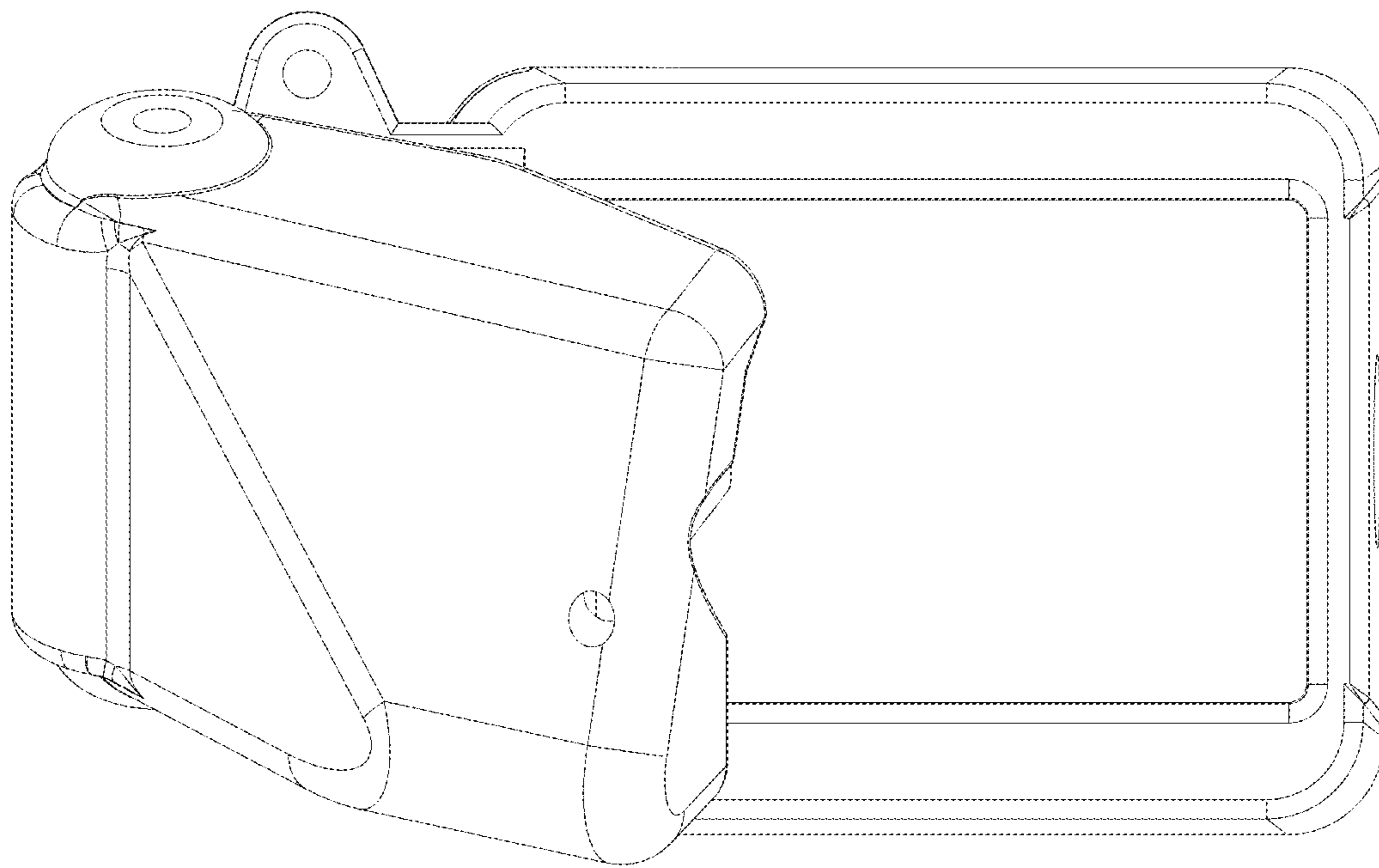


FIG. 5

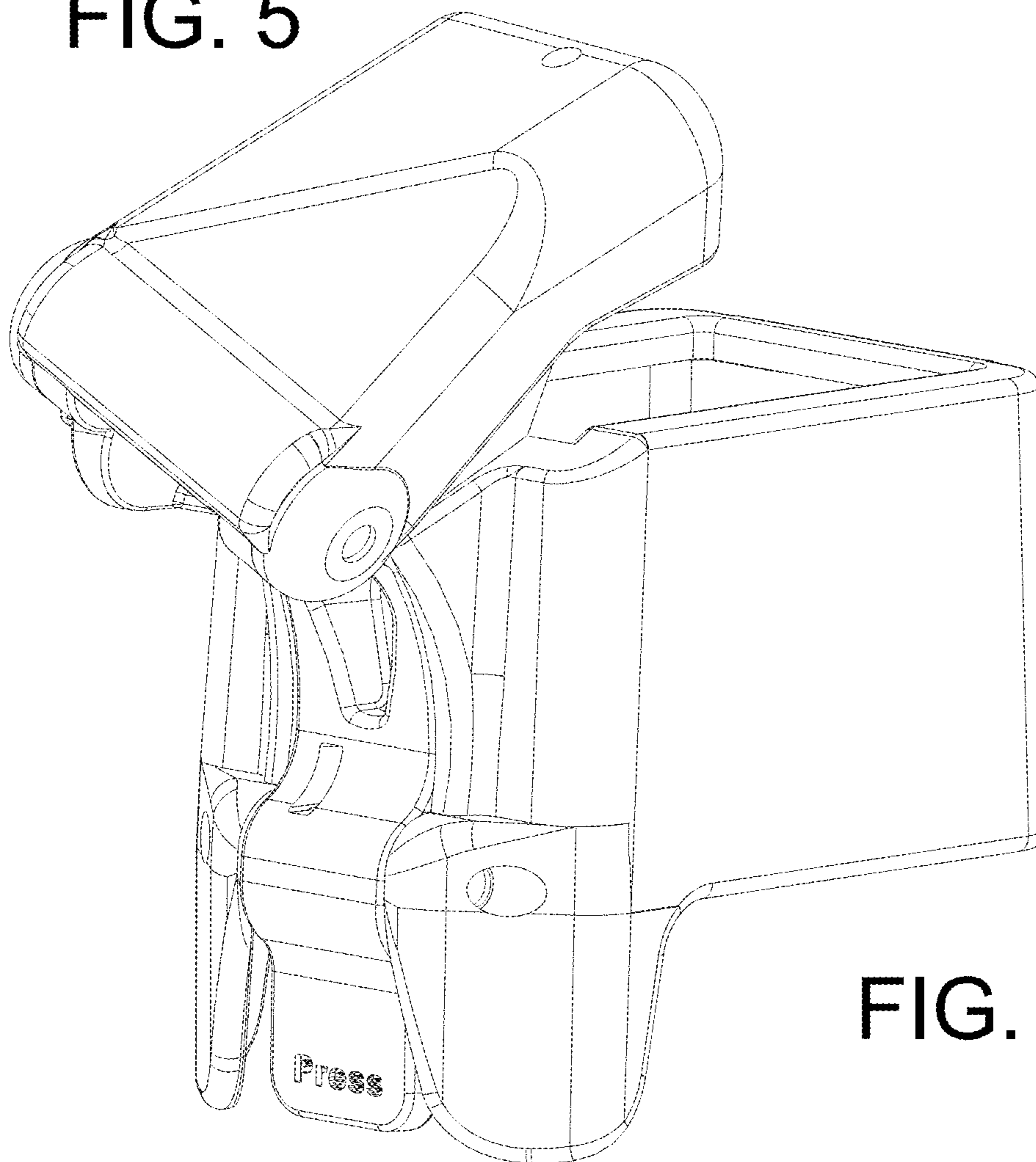


FIG. 6

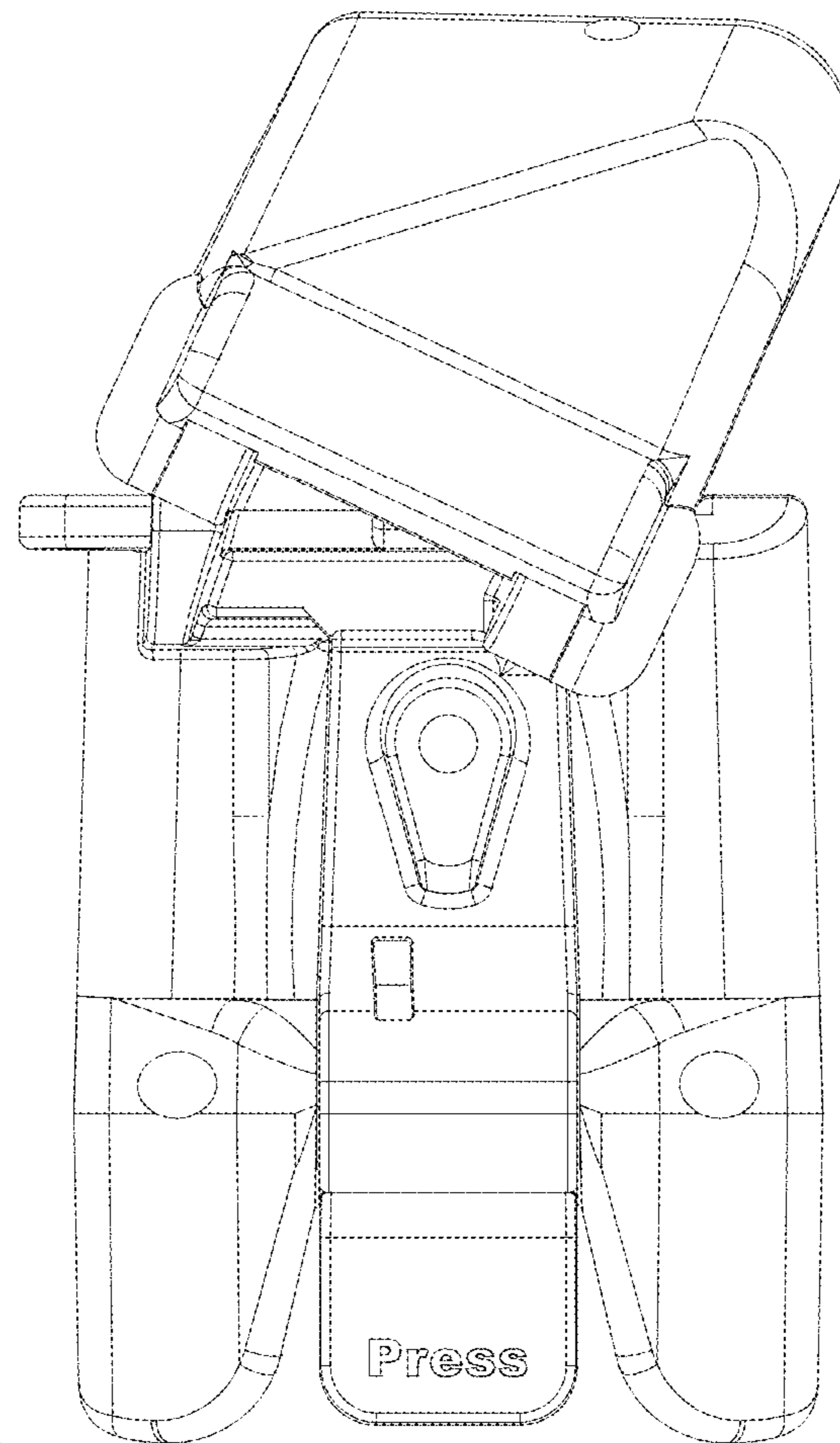


FIG. 7

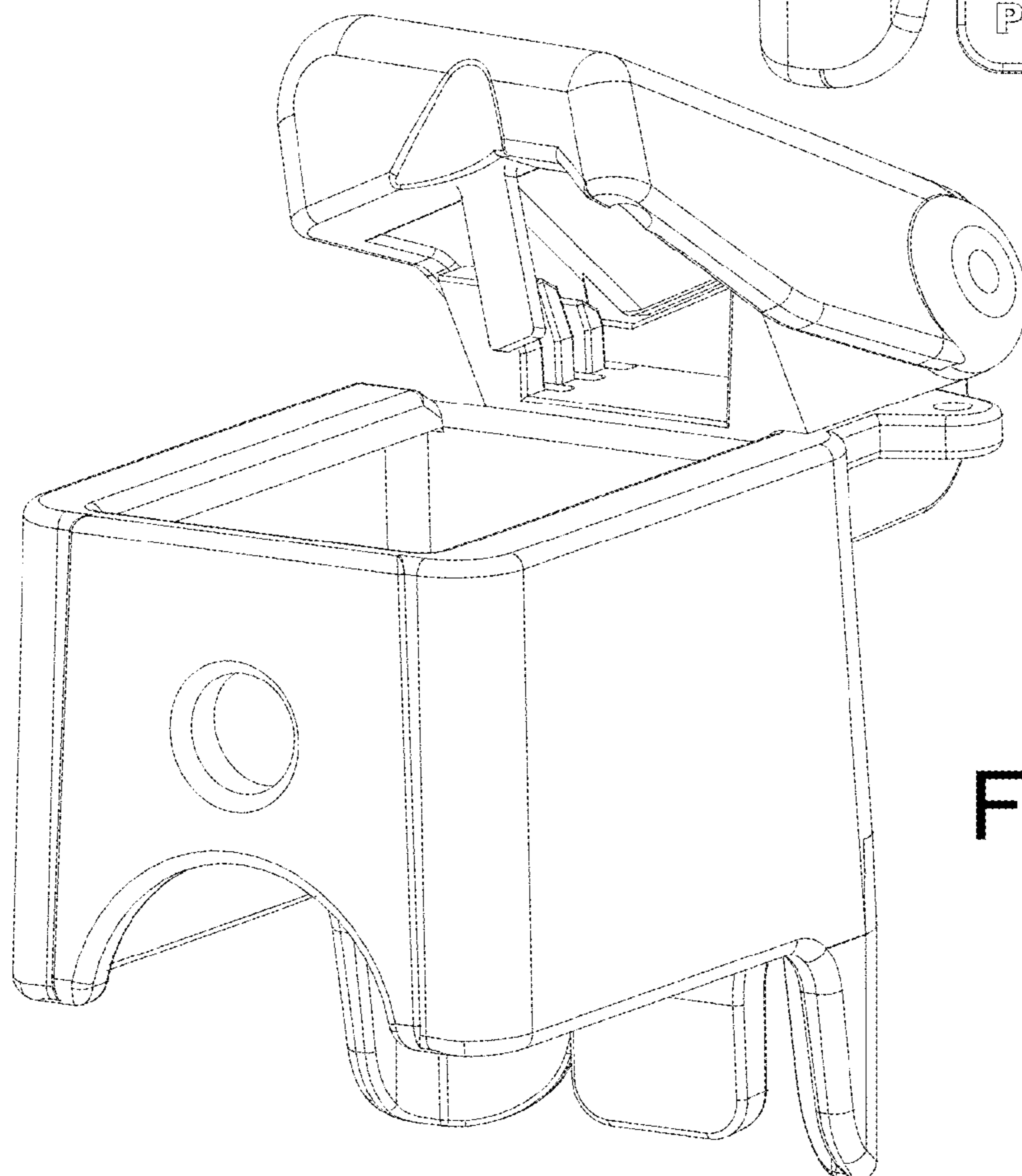


FIG. 8