



US00D872216S

(12) **United States Design Patent**
Geissele

(10) **Patent No.:** **US D872,216 S**
(45) **Date of Patent:** **** Jan. 7, 2020**

- (54) **TRIGGER MECHANISM**
- (71) Applicant: **WHG Properties, LLC**, North Wales, PA (US)
- (72) Inventor: **William H. Geissele**, Lower Gwynedd, PA (US)
- (73) Assignee: **WHG Properties, LLC**, North Wales, PA (US)
- (**) Term: **15 Years**
- (21) Appl. No.: **29/645,799**
- (22) Filed: **Apr. 30, 2018**

- 2,855,716 A 10/1958 Campbell
- 3,152,418 A 10/1964 Charron
- 3,251,268 A 5/1966 Menneking
- 3,292,492 A 12/1966 Sturtevant
- 4,017,996 A 4/1977 Liedke
- 5,086,579 A 2/1992 Flatley et al.
- 5,166,458 A 11/1992 Yoo
- 5,712,443 A 1/1998 Canaday et al.
- 5,724,759 A 3/1998 Kilham
- 5,760,328 A 6/1998 Robbins
- 5,913,261 A 6/1999 Guhring et al.
- 6,119,387 A 9/2000 Butters et al.
- 6,125,735 A 10/2000 Guhring
- 7,204,051 B2 4/2007 Thomele et al.
- 7,854,084 B1 12/2010 Rutherford

(Continued)

Primary Examiner — Michael A. Pratt
(74) *Attorney, Agent, or Firm* — Fox Rothschild LLP

Related U.S. Application Data

- (62) Division of application No. 29/579,212, filed on Sep. 28, 2016, now Pat. No. Des. 828,895.
- (51) **LOC (12) Cl.** **22-01**
- (52) **U.S. Cl.**
USPC **D22/108**
- (58) **Field of Classification Search**
USPC D22/103, 104, 108; D21/572; D8/68
CPC F41A 19/10; F41A 17/46; F41A 35/00;
F41A 19/09; F41A 19/11; F41A 19/21;
F41C 27/00
See application file for complete search history.

(56) **References Cited**

U.S. PATENT DOCUMENTS

- 644,402 A 2/1900 Bye
- 1,147,906 A 7/1915 Swebilus et al.
- 2,037,065 A 4/1936 Burton
- 2,189,202 A 2/1940 Garland
- 2,341,033 A 2/1944 Garland
- 2,406,980 A 9/1946 Young
- 2,464,427 A 3/1949 Wilson
- 2,703,943 A 3/1955 Roemer

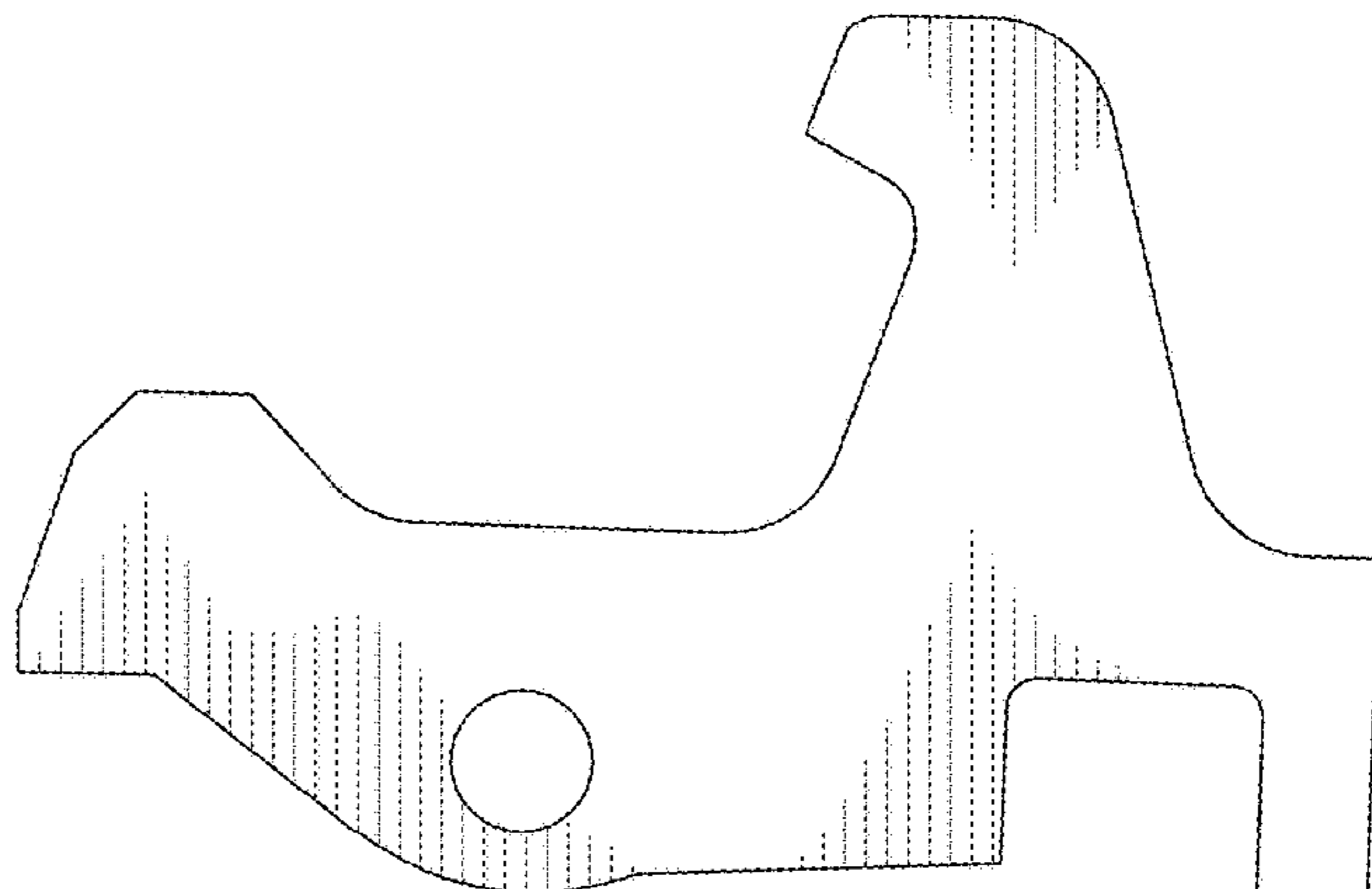
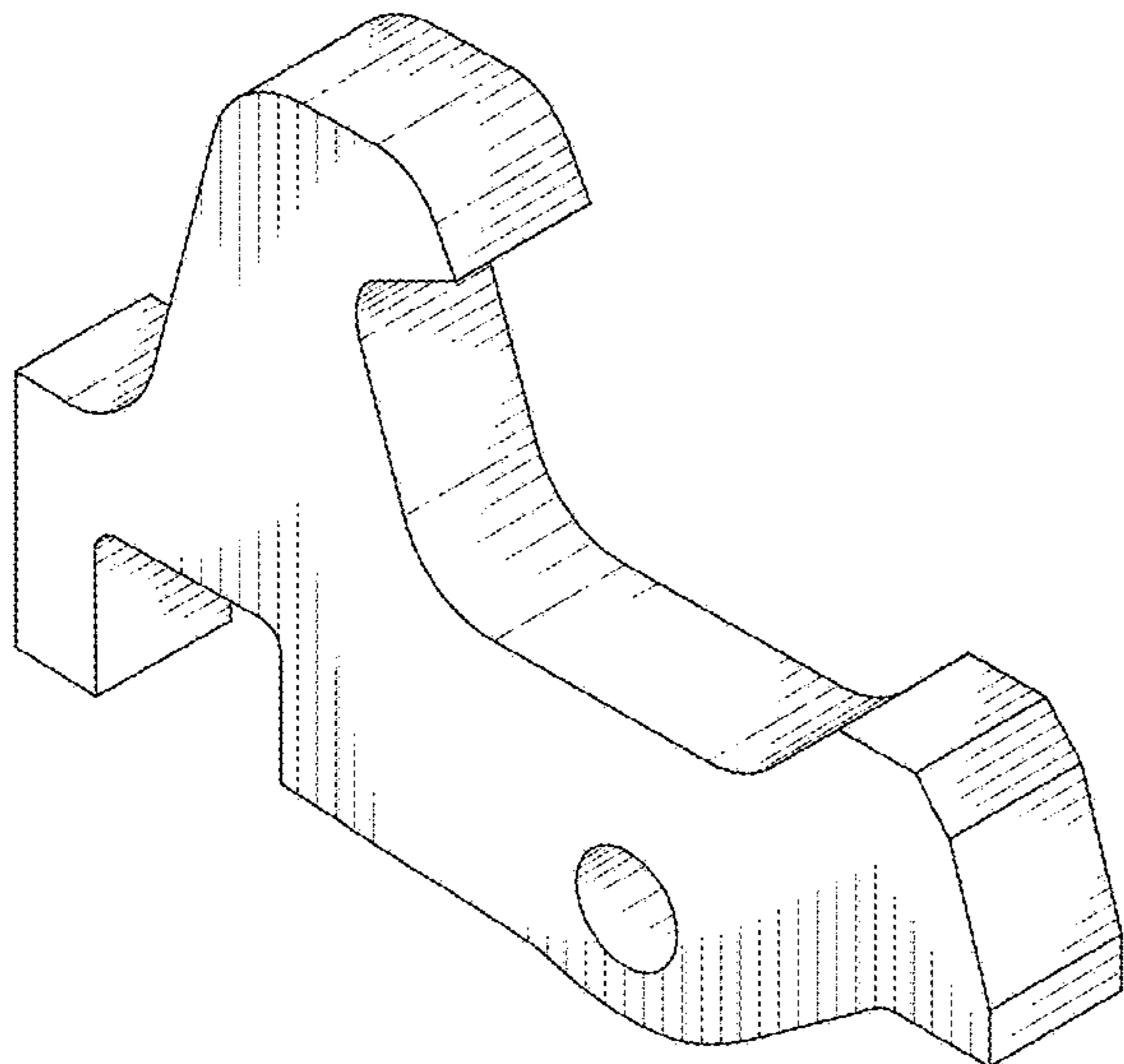
(57) **CLAIM**

The ornamental design for a trigger mechanism, as shown and described.

DESCRIPTION

FIG. 1 is a perspective view of a trigger mechanism according to the present disclosure.
 FIG. 2 is a right side view of the trigger mechanism of FIG. 1.
 FIG. 3 is a left side view of the trigger mechanism of FIG. 1.
 FIG. 4 is a rear view of the trigger mechanism of FIG. 1.
 FIG. 5 is a front view of the trigger mechanism of FIG. 1.
 FIG. 6 is a top view of the trigger mechanism of FIG. 1.
 FIG. 7 is a bottom view of the trigger mechanism of FIG. 1; and,
 FIG. 8 is another right side view of the trigger mechanism of FIG. 1.
 The broken lines in the Figures are for illustrative purposes only and form no part of the claimed design.

1 Claim, 4 Drawing Sheets



(56)

References Cited

U.S. PATENT DOCUMENTS

8,112,928 B2	2/2012	Keough		2005/0217652 A1	10/2005	Styles
8,893,607 B2	11/2014	Audibert et al.		2006/0101695 A1	5/2006	Longueira
9,046,313 B1	6/2015	Lutton et al.		2009/0183414 A1	7/2009	Geissele
9,146,066 B1	9/2015	Cason		2010/0037502 A1	2/2010	Fluhr et al.
9,310,150 B1	4/2016	Geissele		2010/0229843 A1	9/2010	Hu
D764,004 S	8/2016	Bender		2011/0079137 A1	4/2011	Audibert et al.
D781,987 S *	3/2017	Geissele D22/108	2011/0315002 A1	12/2011	Keough
D783,112 S *	4/2017	Geissele D22/108	2015/0153126 A1	6/2015	Bender
D783,759 S *	4/2017	Geissele D22/108	2015/0330734 A1	11/2015	Kolev et al.
9,618,288 B2	4/2017	Wilson		2015/0338181 A1	11/2015	McAlister
9,618,289 B1 *	4/2017	Geissele F41A 19/46	2016/0010933 A1	1/2016	Bonner
9,638,485 B2 *	5/2017	Geissele F41A 19/10	2016/0061549 A1	3/2016	Patterson et al.
9,696,103 B2	7/2017	Bender		2016/0131448 A1	5/2016	Bender
9,719,744 B2	8/2017	Horch		2016/0161202 A1	6/2016	Larue
9,733,034 B1	8/2017	Viani		2016/0363401 A1	12/2016	Elftmann
9,777,980 B2	10/2017	Heizer		2017/0089656 A1	3/2017	Alicea, Jr.
9,784,518 B2 *	10/2017	Geissele F41A 19/46	2017/0097204 A1	4/2017	Geissele
9,791,233 B2 *	10/2017	Geissele F41A 19/46	2017/0122686 A1	5/2017	Fellows et al.
9,927,197 B1 *	3/2018	Geissele F41A 19/10	2017/0131054 A1	5/2017	Geissele
9,927,198 B2 *	3/2018	Geissele F41A 19/10	2017/0321983 A1	11/2017	Bender
				2018/0045481 A1	2/2018	Williams et al.
				2018/0087860 A1	3/2018	Sullivan et al.

* cited by examiner

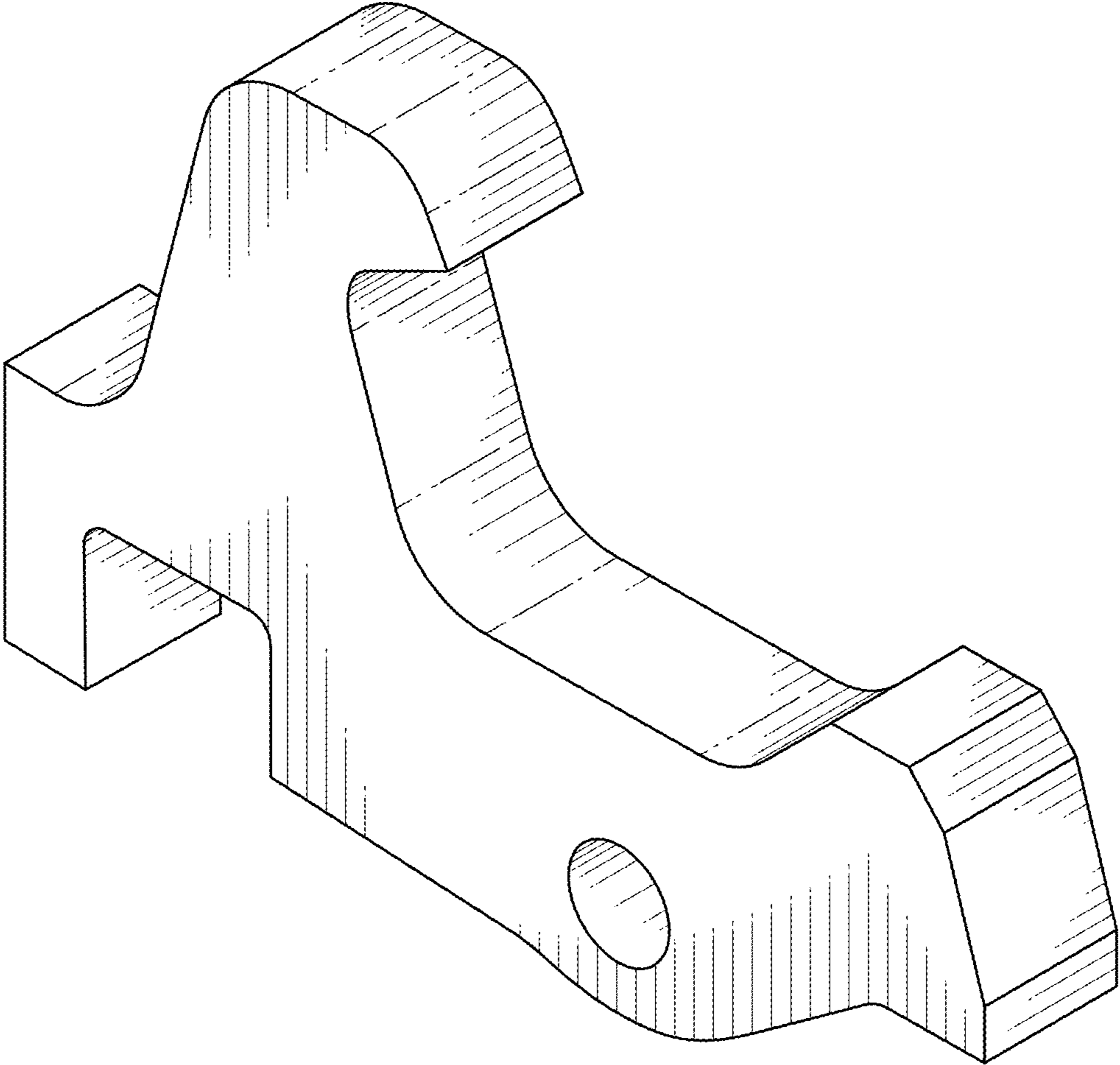


FIG. 1

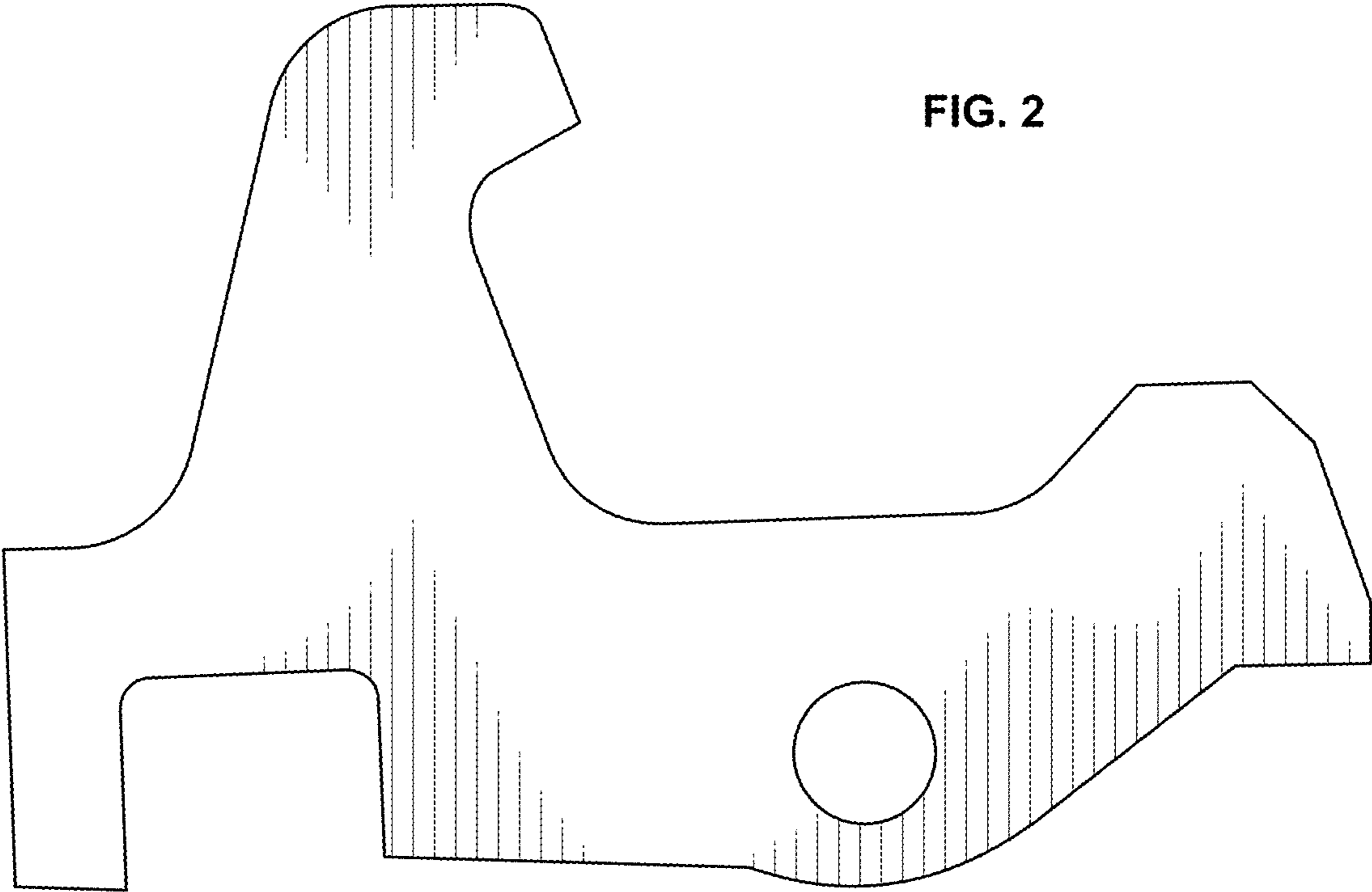


FIG. 2

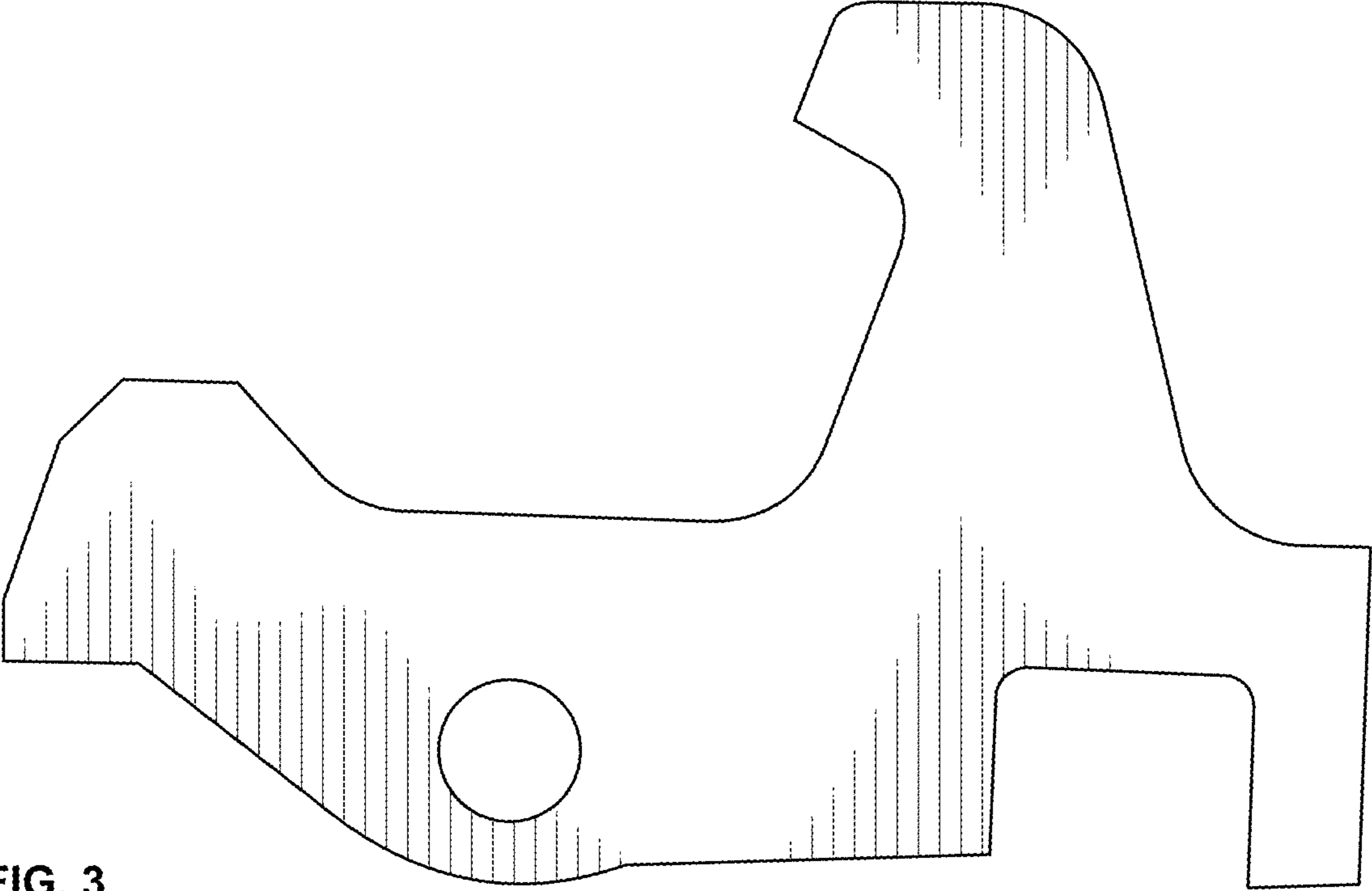


FIG. 3

FIG. 4

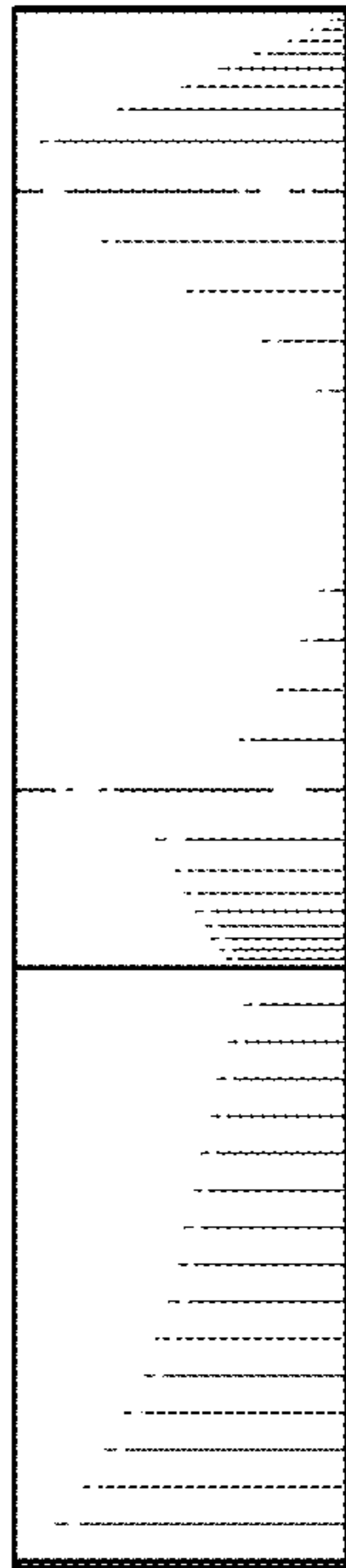


FIG. 5

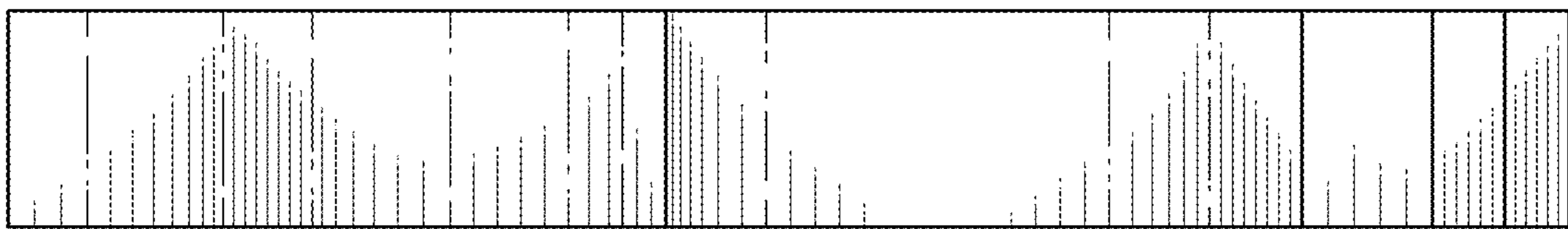
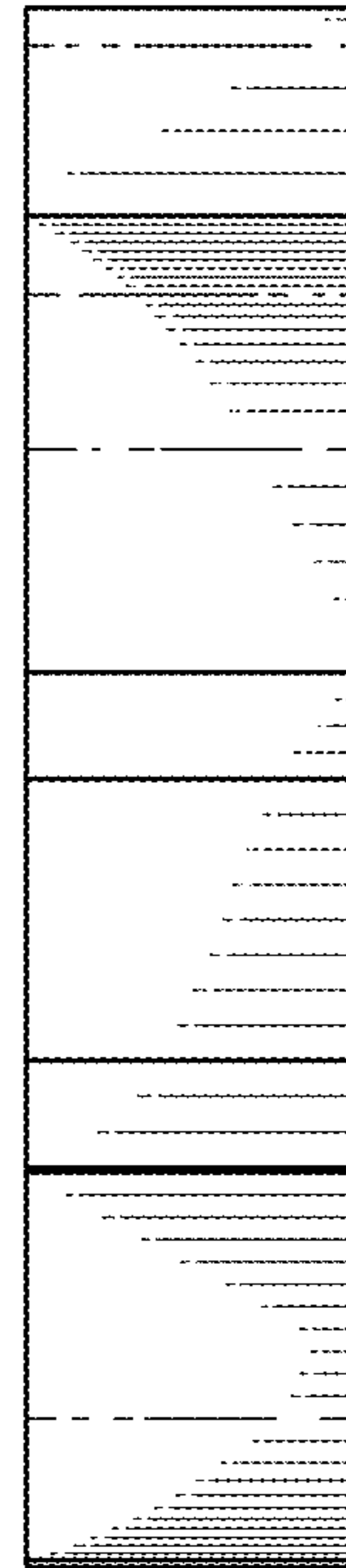


FIG. 6

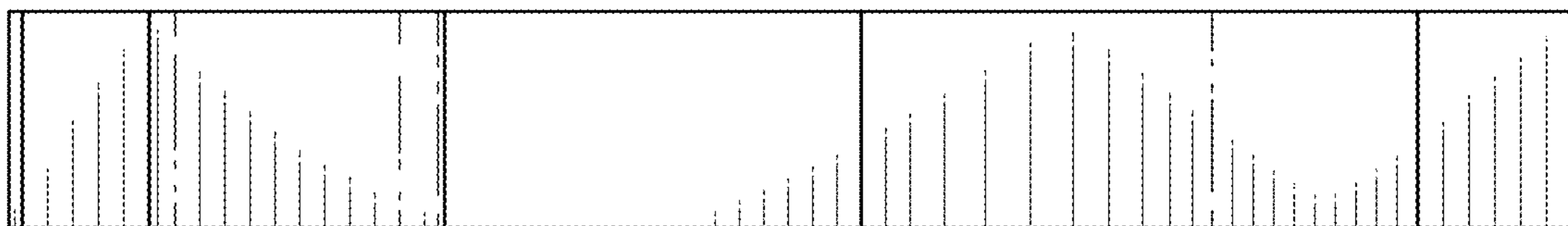


FIG. 7

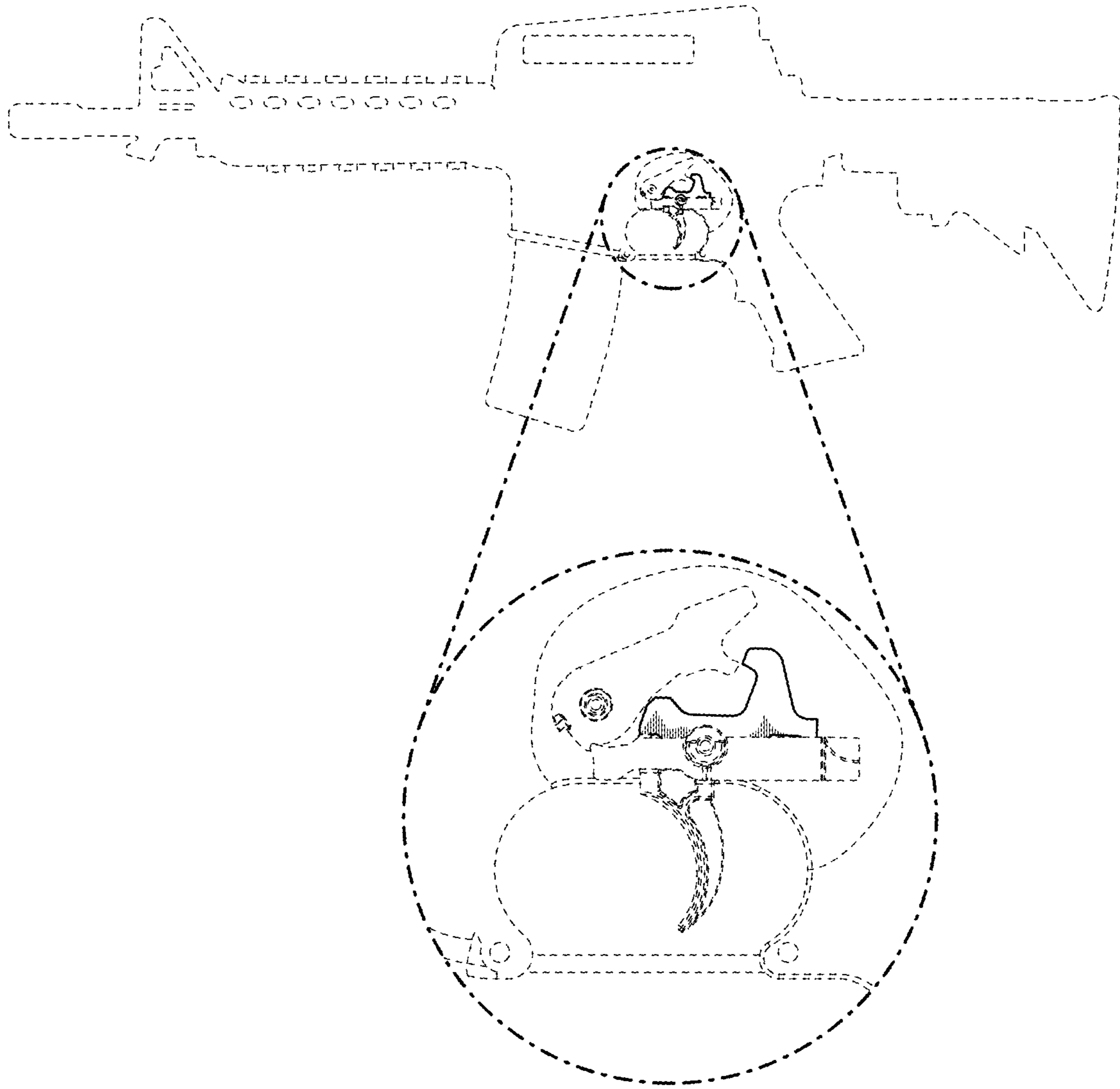


FIG. 8