



US00D872213S

(12) **United States Design Patent**
McPherson

(10) **Patent No.:** **US D872,213 S**
(45) **Date of Patent:** **** Jan. 7, 2020**

(54) **ARCHERY BOW RISER**
(71) Applicant: **MCP IP, LLC**, Sparta, WI (US)
(72) Inventor: **Mathew A. McPherson**, Norwalk, WI (US)

7,987,954 B2 8/2011 McPherson
8,109,261 B2 * 2/2012 Grace, Jr. F41B 5/14
124/91
8,266,933 B2 * 9/2012 Bishir, Jr. E05B 67/24
124/86
8,307,816 B2 * 11/2012 Darlington F41B 5/14
124/1

(73) Assignee: **MCP IP, LLC**, Sparta, WI (US)

(Continued)

(**) Term: **15 Years**

OTHER PUBLICATIONS

(21) Appl. No.: **29/645,256**

“2019 Mathews Vertex Compound Bow With Switchweight Technology Review” [online]. Lancaster Archery Supply. [Published on Nov. 13, 2018]. Retrieved from the Internet: <<https://www.youtube.com/watch?v=PRTbBMDEORQ>>.*

(22) Filed: **Apr. 24, 2018**

(Continued)

(51) **LOC (12) Cl.** **22-01**

(52) **U.S. Cl.**
USPC **D22/107; D21/571**

(58) **Field of Classification Search**
USPC D22/100, 101, 102, 103, 104, 105, 106,
D22/107, 108, 109, 110, 111, 199;
D21/571, 573, 574, 575, 746
CPC F41C 23/14; F41C 23/20; F41C 23/04;
F41C 23/00; F41C 23/10; F41C 27/00;
F41C 7/00; F41C 23/06; F41C 3/00;
F41B 5/10; F41B 5/14; F41B 5/0094;
F41B 5/1469; F41B 5/00

Primary Examiner — Khawaja Anwar
Assistant Examiner — Mojtaba Tehrani

(57) **CLAIM**

The ornamental design for an archery bow riser, as shown and described.

See application file for complete search history.

DESCRIPTION

(56) **References Cited**

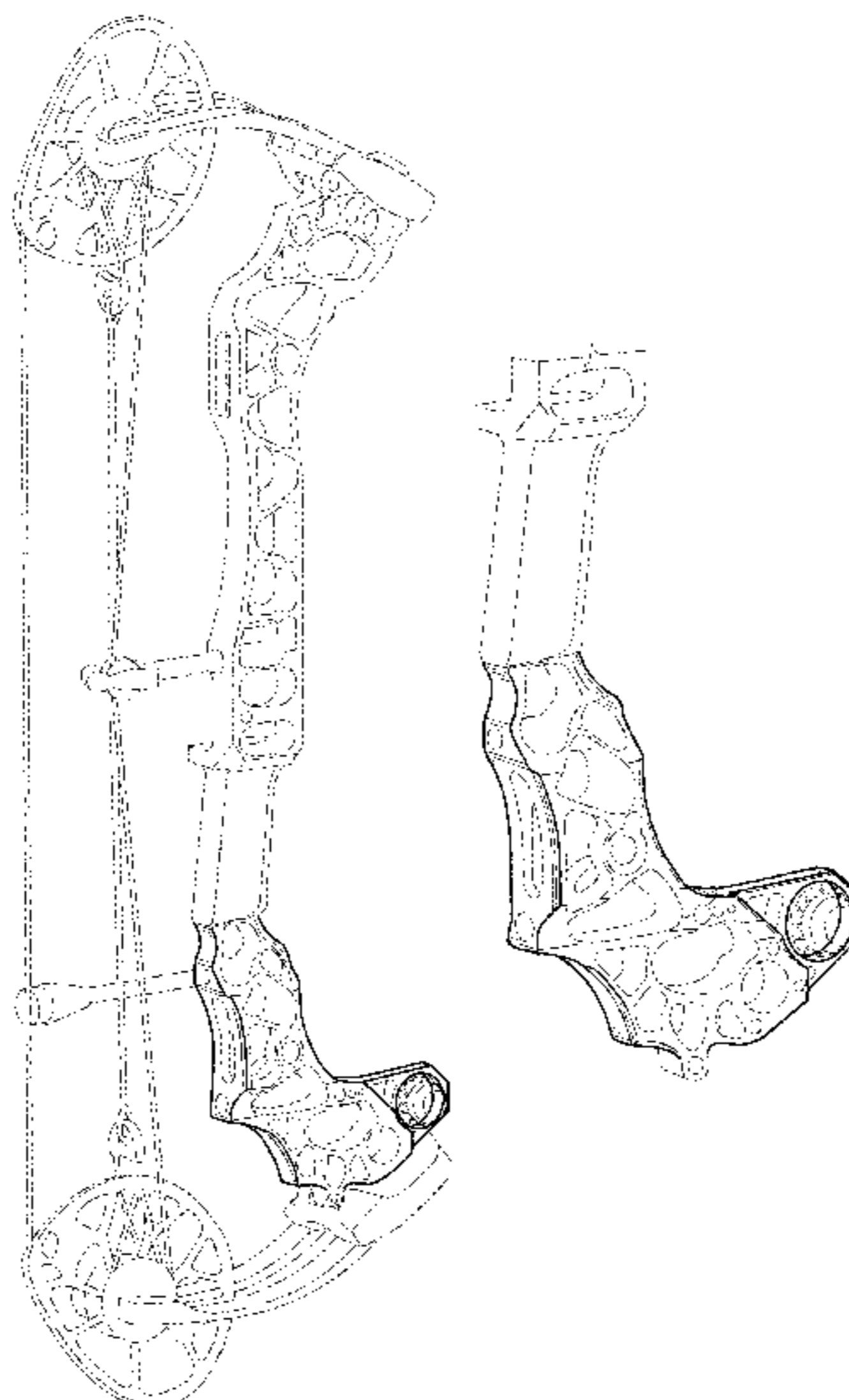
FIG. 1 is a right-rear angled view of an archery bow riser in an environment of use, showing my new design;
FIG. 2 is a right-rear angled view thereof;
FIG. 3 is a right-side view thereof;
FIG. 4 is a left-side view thereof;
FIG. 5 is a front view thereof;
FIG. 6 is a back view thereof;
FIG. 7 is a top view thereof; and,
FIG. 8 is a bottom view thereof.

U.S. PATENT DOCUMENTS

The dash-dot broken lines in the Figures depict boundaries of the claimed design; the dash-dot-dot lines depict unclaimed portions of the bow only. The broken lines form no part of the claimed design.

6,257,220	B1	7/2001	McPherson	
6,382,201	B1	5/2002	McPherson	
6,543,432	B2	4/2003	Andrews	
6,550,467	B2	4/2003	Gallops, Jr.	
6,588,414	B2	7/2003	McMillan, III	
7,264,098	B2	9/2007	McPherson	
7,373,934	B2 *	5/2008	Smith F41B 5/10 124/25.6
7,784,452	B1 *	8/2010	Kronengold F41B 5/10 124/23.1
7,946,043	B2 *	5/2011	Taboada F41B 5/14 124/87
7,954,481	B2	6/2011	Barnard	

1 Claim, 3 Drawing Sheets



(56)

References Cited

U.S. PATENT DOCUMENTS

8,371,283 B2 * 2/2013 Grace F41B 5/14
124/25.6

8,448,633 B2 5/2013 McPherson

8,776,770 B2 * 7/2014 Batdorf F41B 5/10
124/23.1

8,784,628 B2 * 7/2014 Grace, Jr. F41B 5/1403
124/25.6

8,820,304 B2 * 9/2014 Batdorf F41B 5/14
124/25.6

8,839,775 B2 * 9/2014 Wasilewski F41B 5/1426
124/89

9,046,317 B2 6/2015 McPherson

9,360,271 B1 6/2016 McPherson

10,175,024 B2 * 1/2019 Walthert F41B 5/1403

2002/0020403 A1 2/2002 Troubridge

2010/0083943 A1 * 4/2010 Grace F41B 5/10
124/25.6

2010/0224178 A1 * 9/2010 McPherson F41B 5/1426
124/25.6

2014/0116408 A1 * 5/2014 McPherson F41B 5/1426
124/25.6

2014/0261359 A1 * 9/2014 McPherson F41B 5/1403
124/25.6

2016/0040953 A1 * 2/2016 Tulpa F41B 5/1449
124/86

2018/0135935 A1 * 5/2018 McPherson F41B 5/10

2018/0224237 A1 * 8/2018 McPherson F41B 5/10

2018/0231345 A1 * 8/2018 McPherson F41B 5/105

2018/0266786 A1 * 9/2018 McPherson F41B 5/1449

2018/0306550 A1 * 10/2018 McPherson F41B 5/1426

OTHER PUBLICATIONS

“Carbon Air® Stealth EC” [online]. pse-archery.com. [Retrieved on Feb. 16, 2019]. Retrieved from the Internet: <<https://www.pse-archery.com/carbon-air-stealth-ec/>>.*

2009 Annual Catalog, Mathews Archery, Inc., 57 Pages.

* cited by examiner

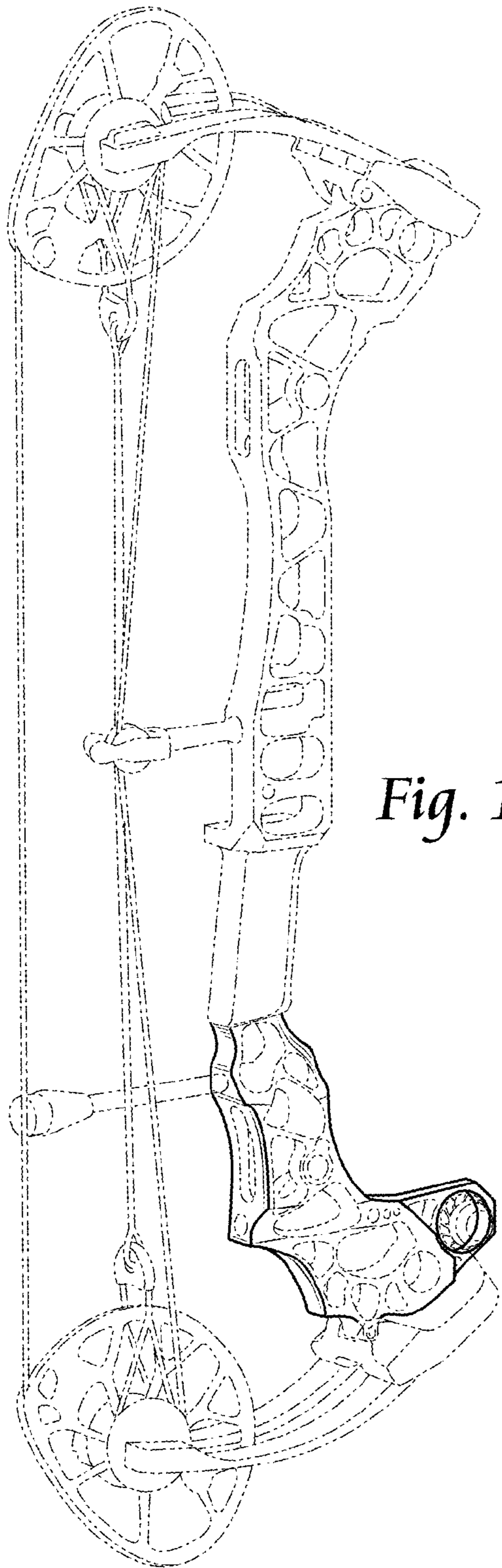


Fig. 1

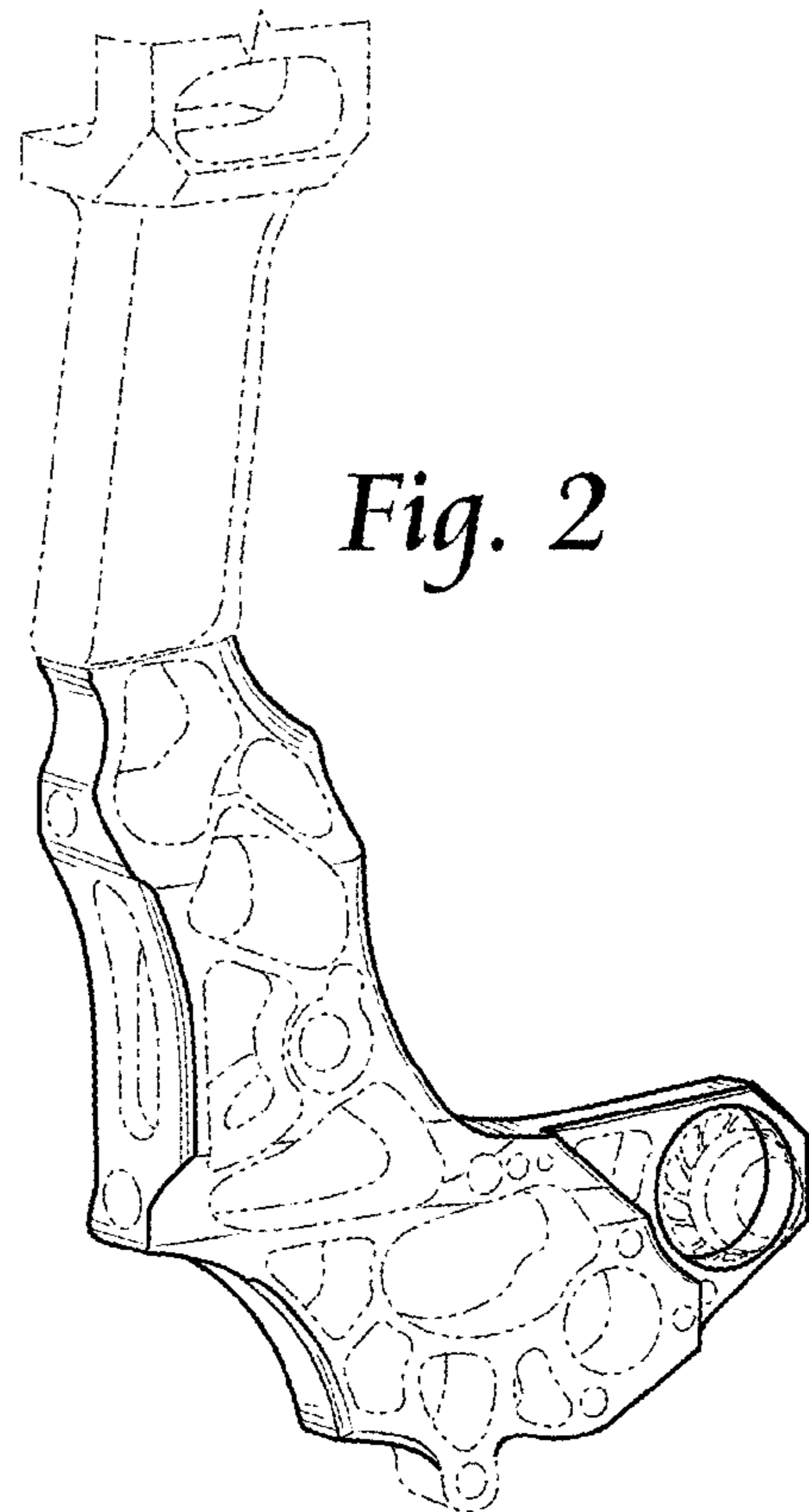


Fig. 2

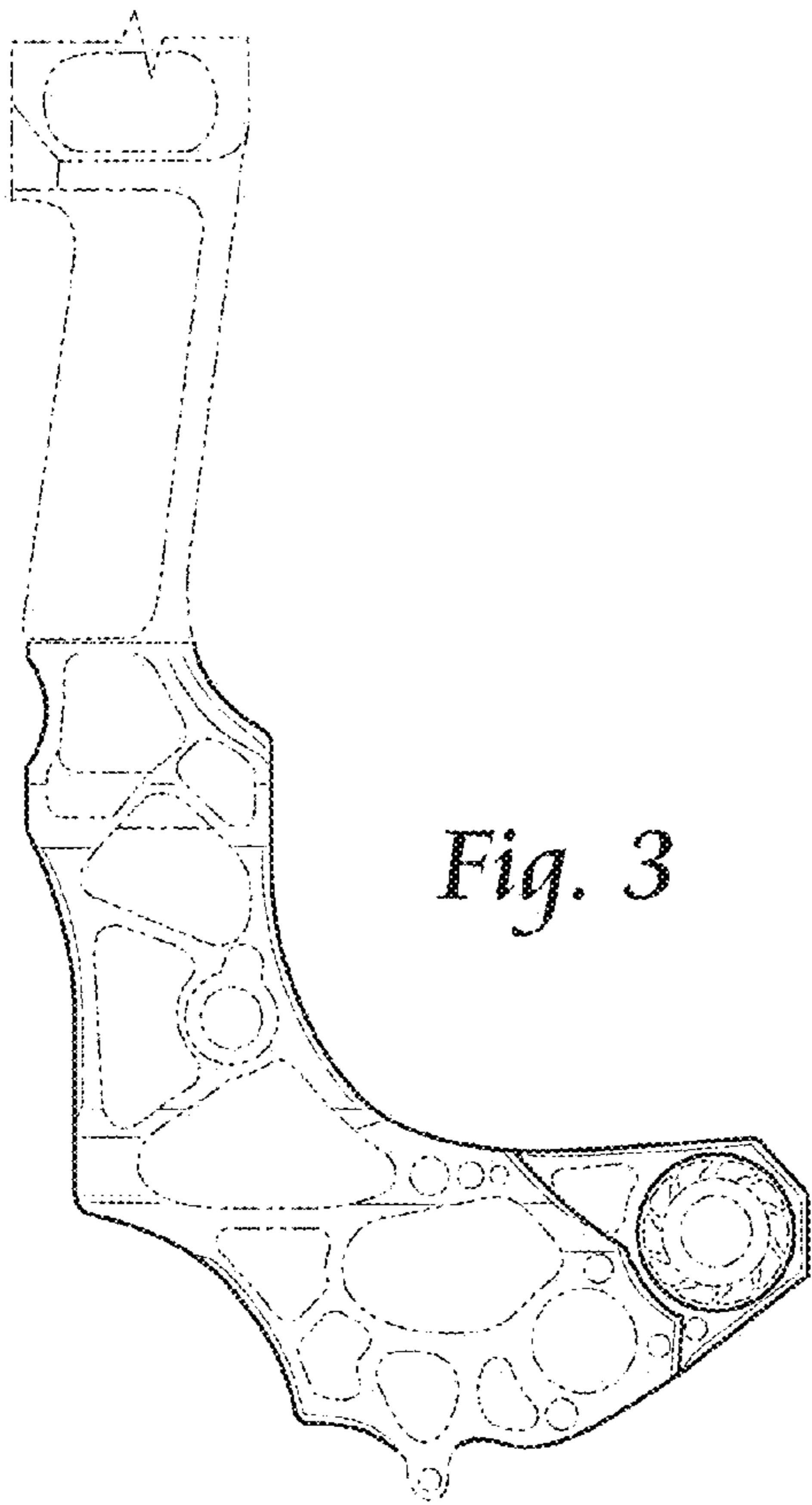


Fig. 3

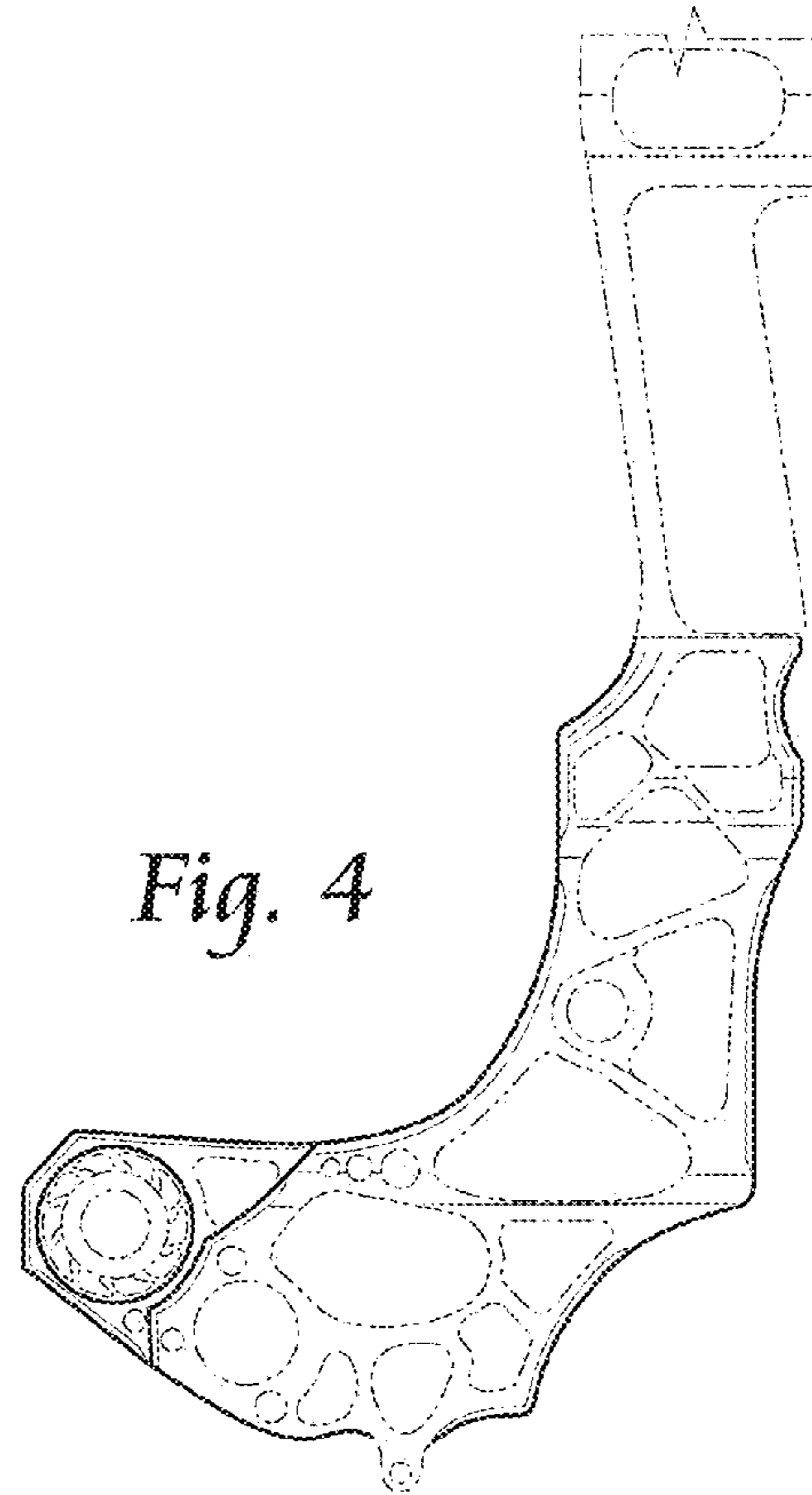


Fig. 4

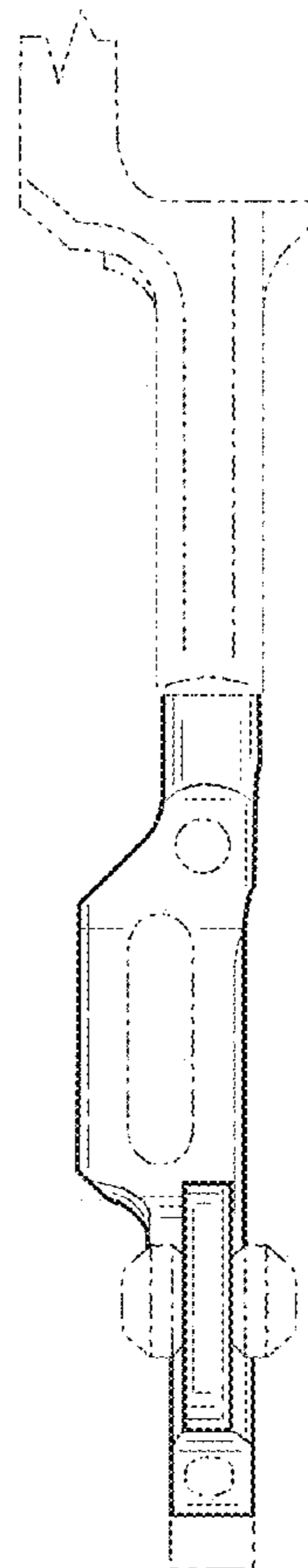


Fig. 5

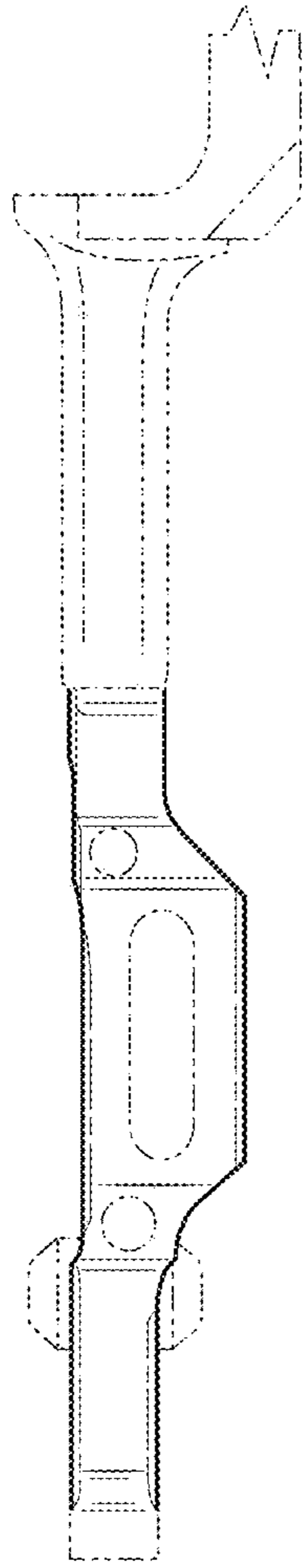


Fig. 6

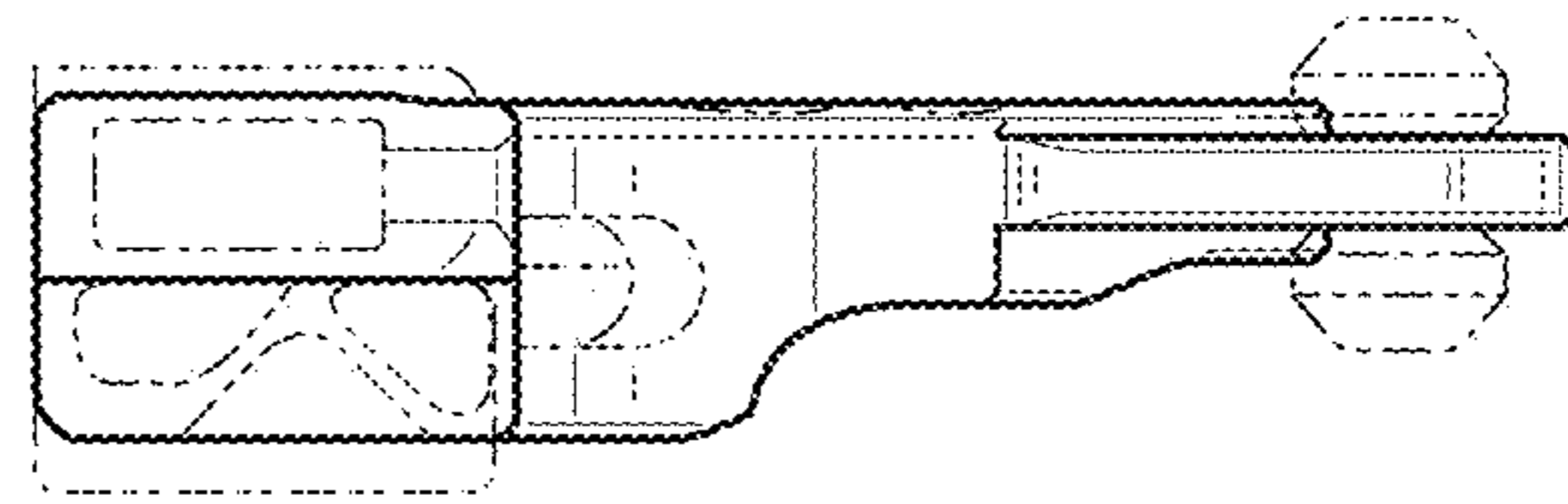


Fig. 7

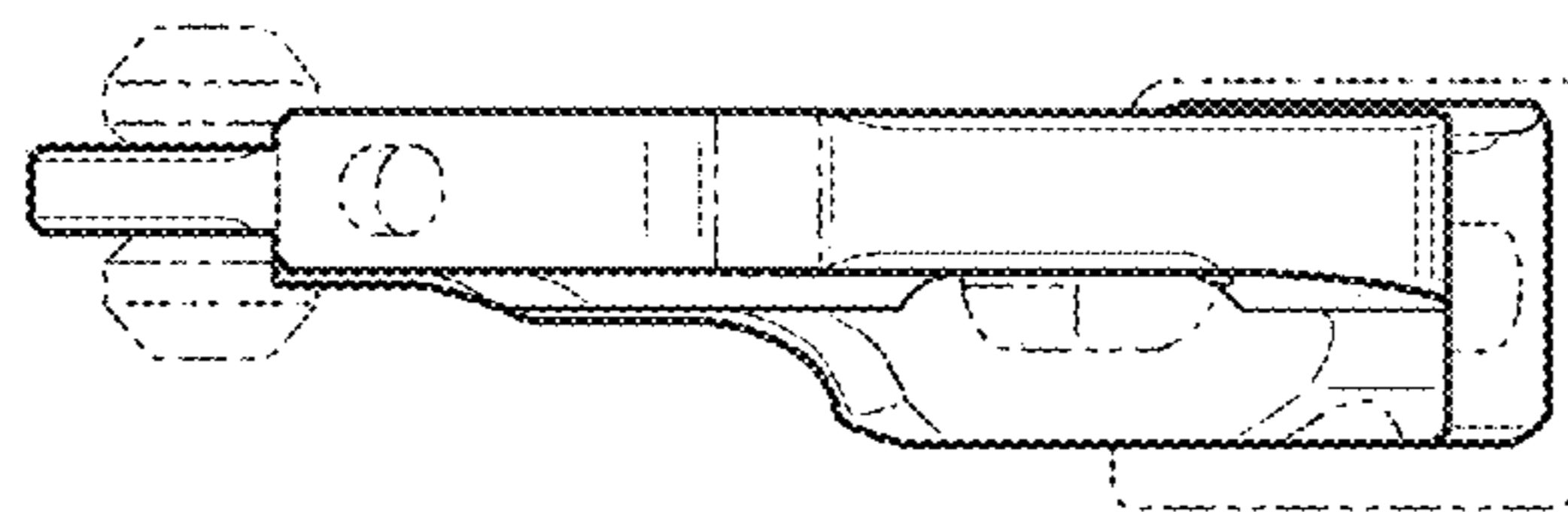


Fig. 8