



US00D872210S

(12) **United States Design Patent** (10) **Patent No.:** **US D872,210 S**
Zhu (45) **Date of Patent:** **** Jan. 7, 2020**

(54) **TENT**
(71) Applicant: **Wenjie Zhu**, Danyang (CN)
(72) Inventor: **Wenjie Zhu**, Danyang (CN)
(**) Term: **15 Years**
(21) Appl. No.: **29/673,594**
(22) Filed: **Dec. 17, 2018**
(51) **LOC (12) Cl.** **21-04**
(52) **U.S. Cl.**
USPC **D21/837**
(58) **Field of Classification Search**
USPC D21/834, 837, 839; D25/22, 56, 61
CPC E04H 15/00; E04H 15/02; E04H 15/18;
E04H 15/28; E04H 15/32; E04H 15/34;
E04H 15/40; E04H 15/42; E04H 15/425;
E04H 15/50
See application file for complete search history.

(56) **References Cited**

U.S. PATENT DOCUMENTS

D261,407 S * 10/1981 Moss D21/837
5,467,794 A * 11/1995 Zheng A63B 9/00
135/117
5,676,168 A * 10/1997 Price E04H 15/40
135/125
D534,614 S * 1/2007 Gallaway D21/834
D652,886 S * 1/2012 Pedersen D21/834
D661,362 S * 6/2012 Zimmer D21/834
D687,116 S * 7/2013 Jin D21/834
D695,376 S * 12/2013 Jin D21/834
D696,373 S * 12/2013 Jin D21/834
D741,437 S * 10/2015 Zimmer D21/837

D763,391 S * 8/2016 Xu D21/837
D773,579 S * 12/2016 Shir D21/837
D775,296 S * 12/2016 Shir D21/837
D778,383 S * 2/2017 Xu D21/837
D795,980 S * 8/2017 Xiao D21/834
D822,141 S * 7/2018 Xiao D21/837
D823,968 S * 7/2018 Xiao D21/837
D824,474 S * 7/2018 Xiao D21/837
D824,475 S * 7/2018 Xu D21/837
D831,773 S * 10/2018 Huang D21/834
D841,107 S * 2/2019 Zhu D21/834

* cited by examiner

Primary Examiner — Cynthia M. Chin

(74) *Attorney, Agent, or Firm* — Law Offices of Steven W. Weinrieb

(57) **CLAIM**

The ornamental design for a tent, as shown and described.

DESCRIPTION

FIG. 1 is a front, right side, top perspective view of the tent showing my new design;
FIG. 2 is a rear, left side, top perspective view thereof;
FIG. 3 is a rear, right side, bottom perspective view thereof;
FIG. 4 is a front elevational view thereof;
FIG. 5 is a rear elevational view thereof;
FIG. 6 is a left side elevational view thereof;
FIG. 7 is a right side elevational view thereof;
FIG. 8 is a top plan view thereof;
FIG. 9 is a bottom plan view thereof; and,
FIG. 10 is a front, right side, top perspective view thereof showing the tent in a state of use.
The broken lines in FIG. 10 are for the purpose of illustrating portions of the article that form no part of the claim.

1 Claim, 10 Drawing Sheets



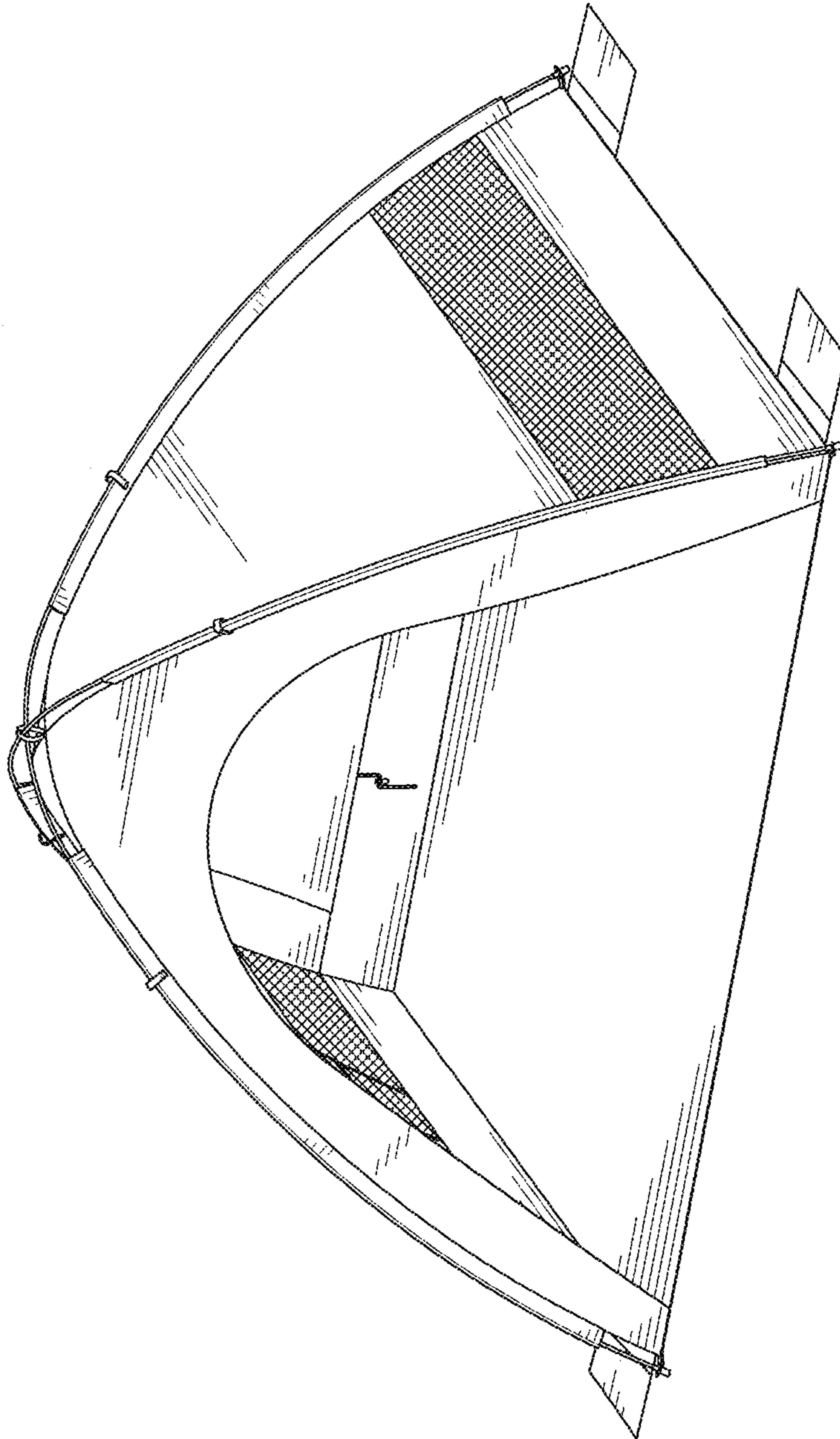


FIG. 1

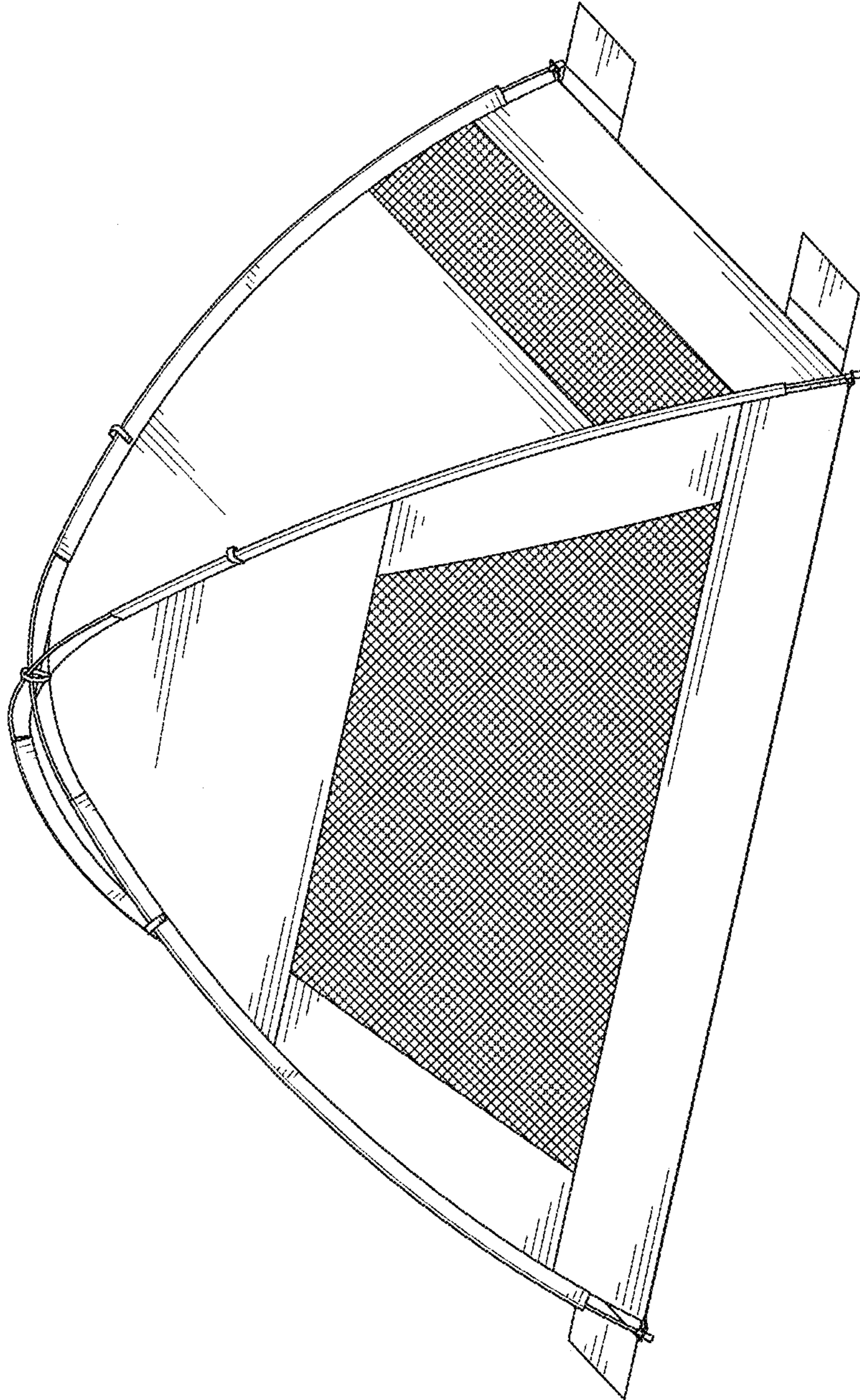


FIG. 2

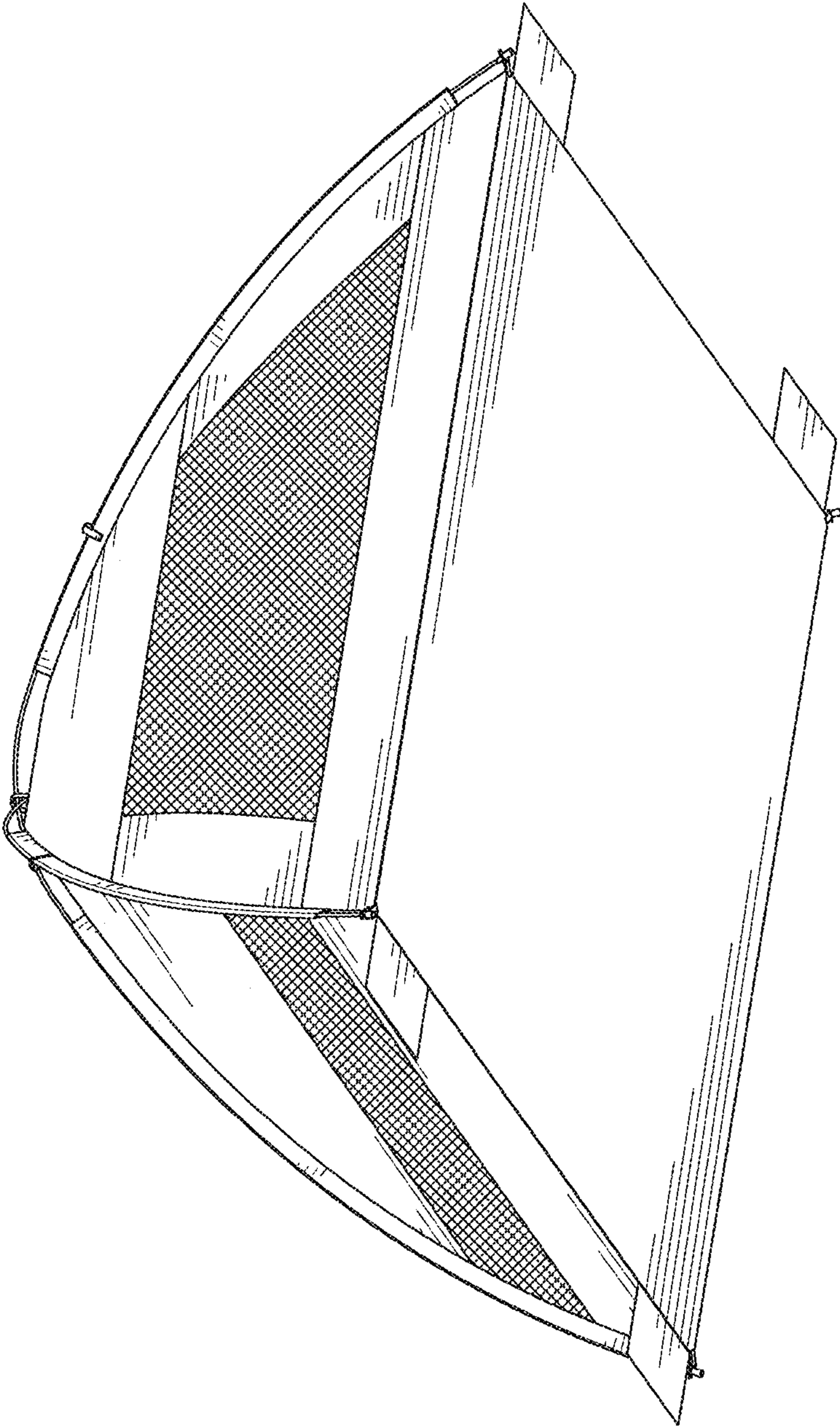


FIG. 3

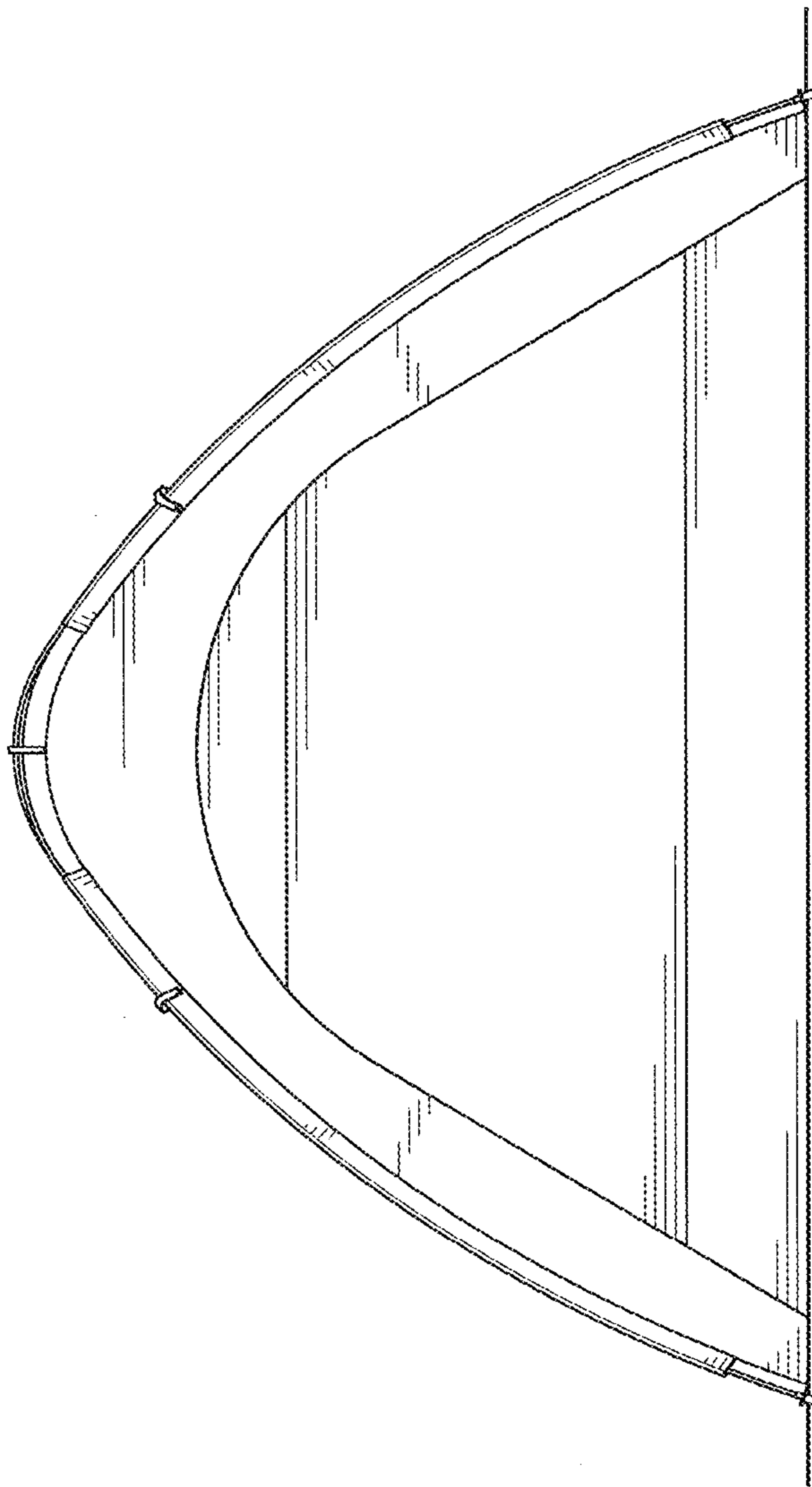


FIG. 4

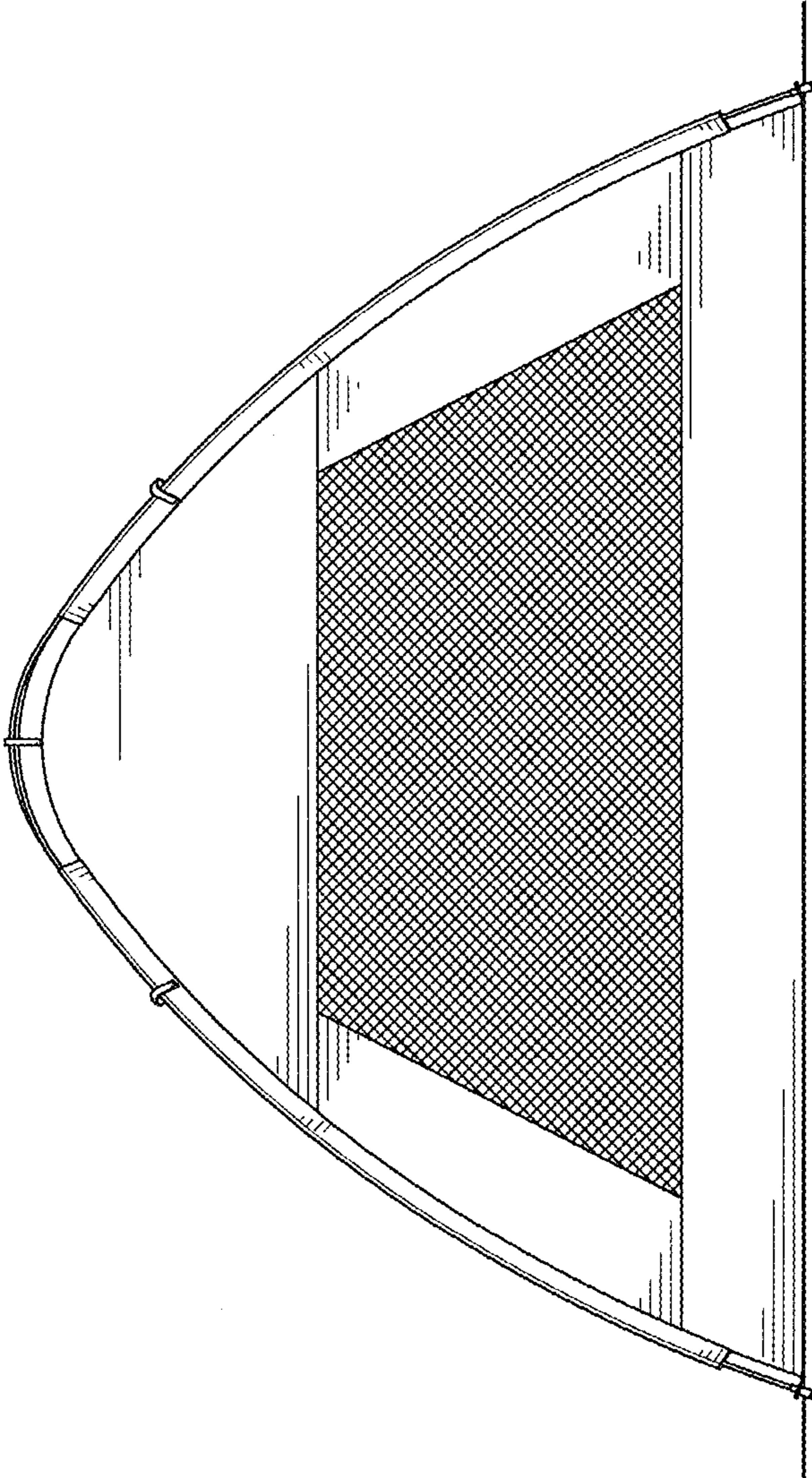


FIG. 5

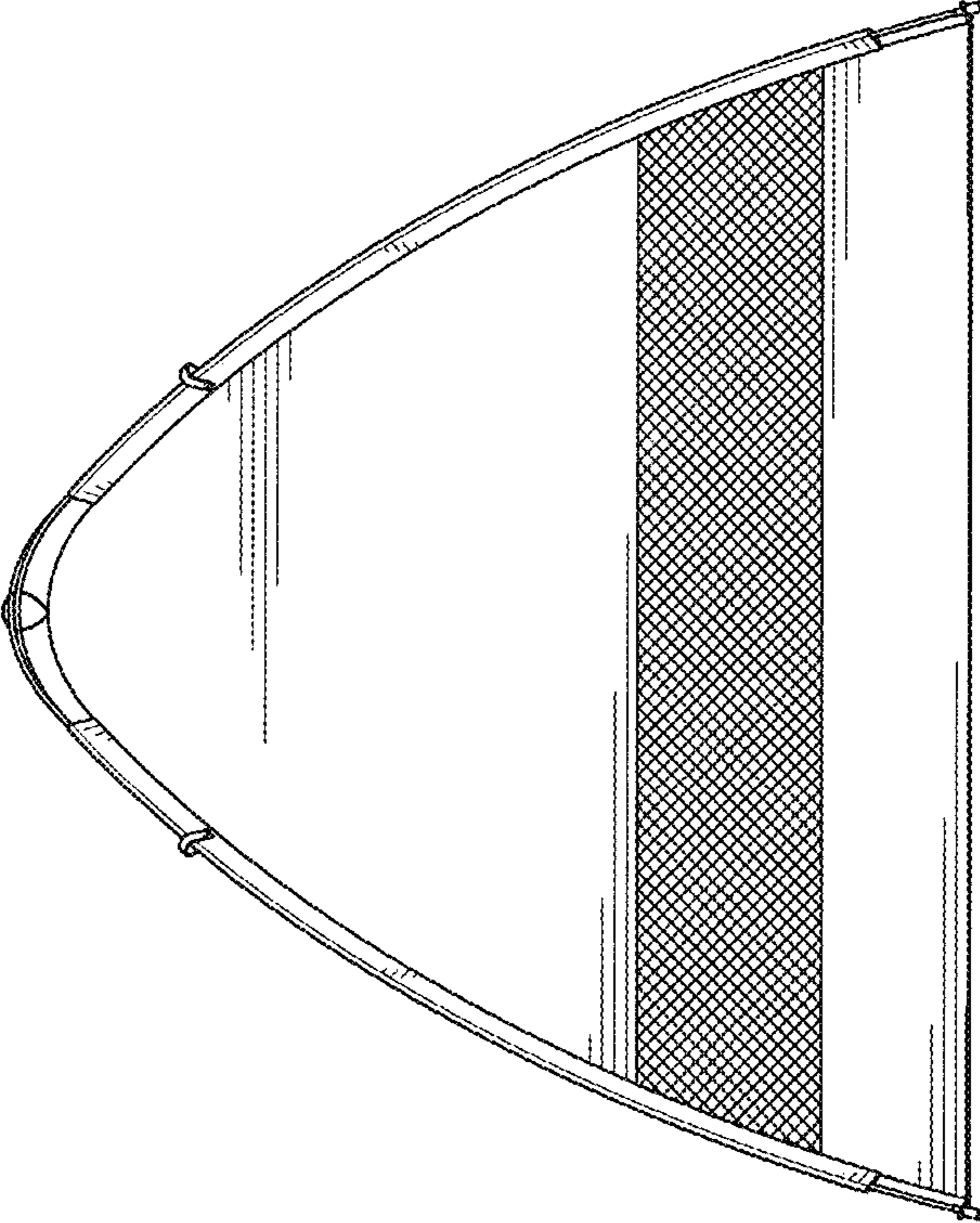


FIG. 6

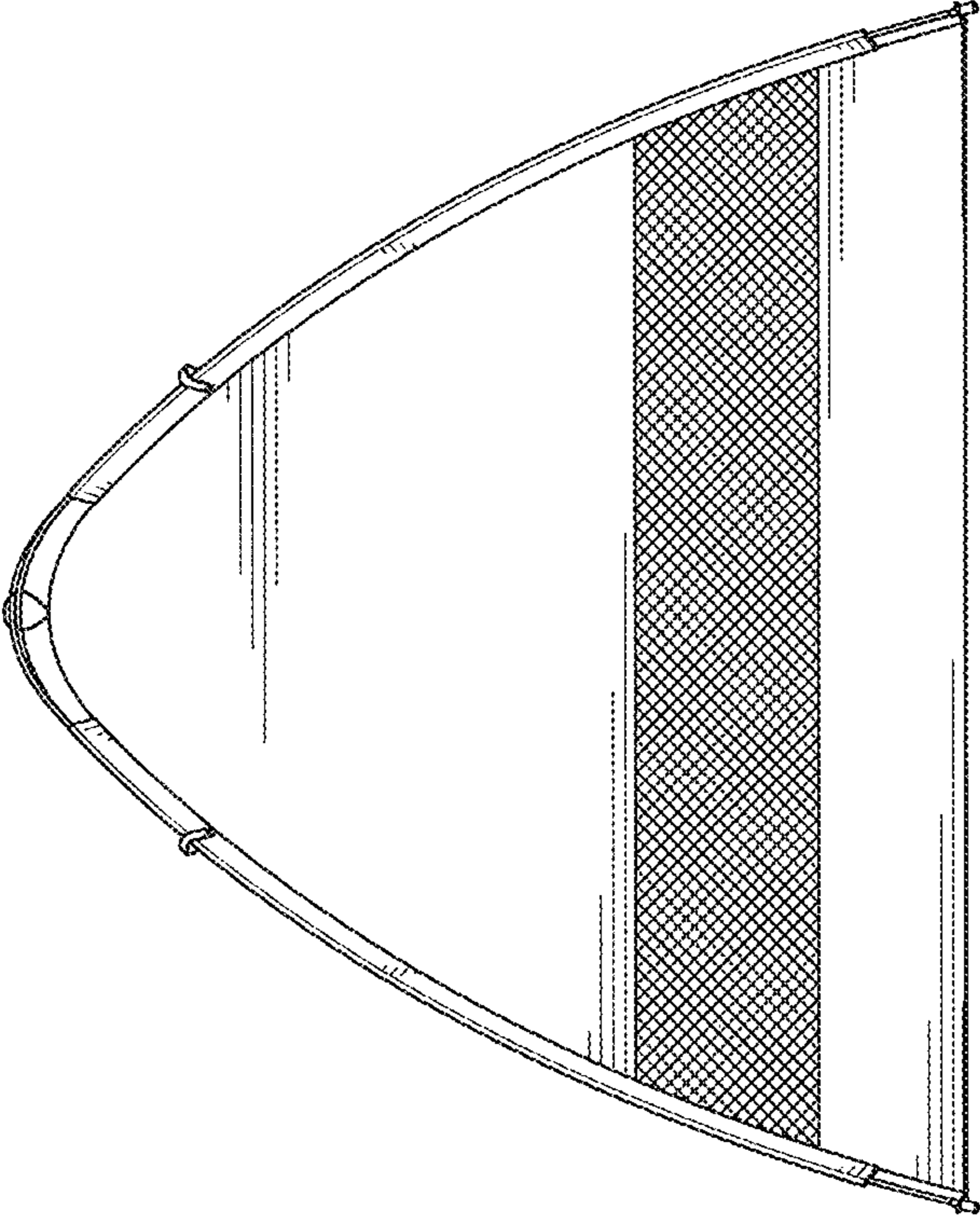


FIG. 7

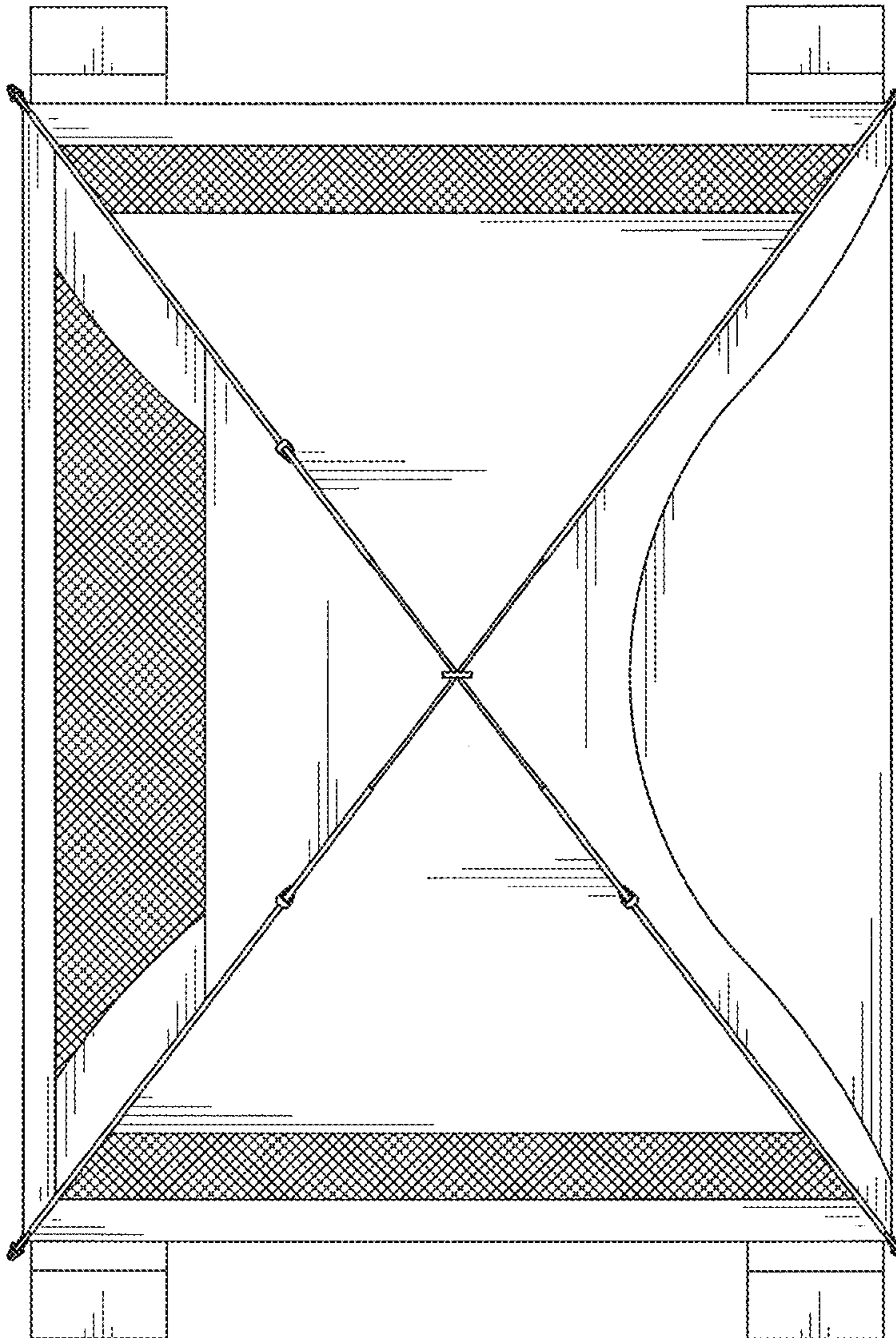


FIG. 8

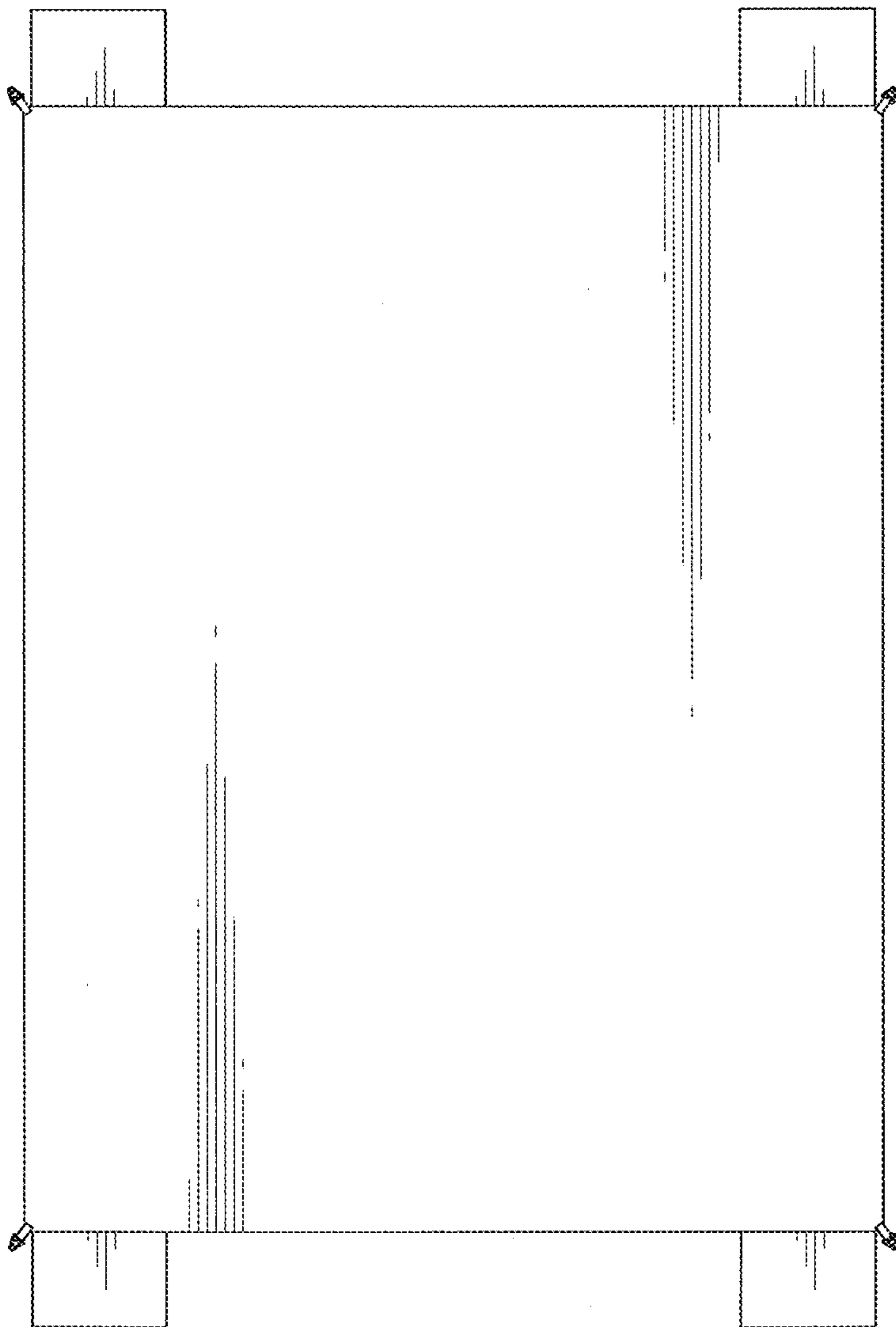


FIG. 9

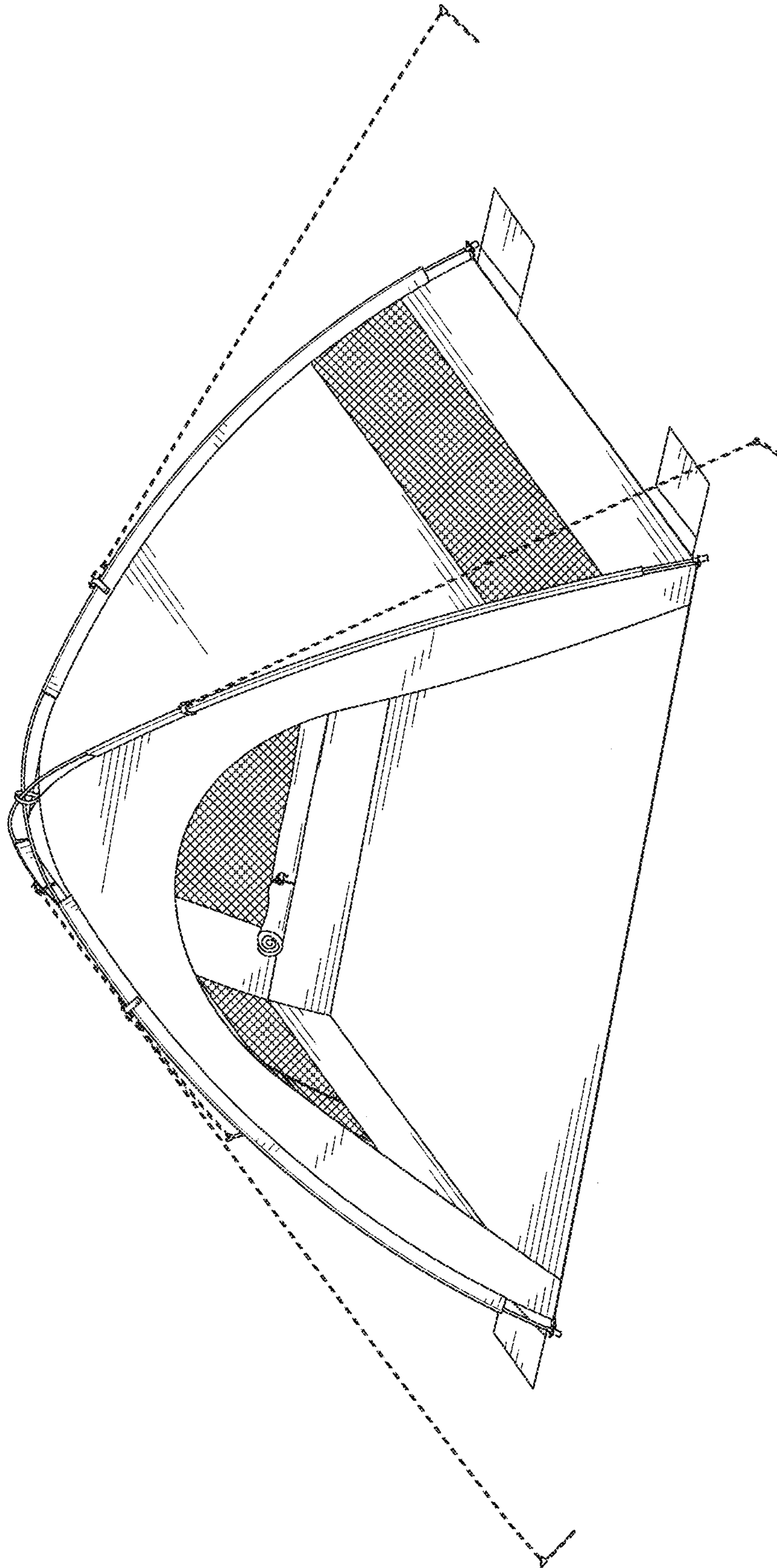


FIG. 10