



US00D872208S

(12) **United States Design Patent**  
**Zhu**

(10) **Patent No.:** **US D872,208 S**

(45) **Date of Patent:** **\*\* Jan. 7, 2020**

- (54) **TENT**
- (71) Applicant: **Wenjie Zhu**, Danyang (CN)
- (72) Inventor: **Wenjie Zhu**, Danyang (CN)
- (\*\*) Term: **15 Years**
- (21) Appl. No.: **29/672,092**
- (22) Filed: **Dec. 3, 2018**
- (51) **LOC (12) Cl.** ..... **21-04**
- (52) **U.S. Cl.**  
USPC ..... **D21/834**
- (58) **Field of Classification Search**  
USPC ..... D21/834-840  
CPC ..... E04H 15/00; E04H 15/34; E04H 15/36;  
E04H 15/40; E04H 15/405; E04H 15/42;  
E04H 15/425; E04H 15/44; E04H 15/52  
See application file for complete search history.

- 2005/0092355 A1\* 5/2005 Hsu ..... E04H 15/16  
135/125
- 2007/0095377 A1\* 5/2007 Poulson ..... E04H 15/42  
135/124
- 2007/0251564 A1\* 11/2007 Smith ..... E04H 15/425  
135/156
- 2014/0190540 A1\* 7/2014 Herpin ..... E04H 15/40  
135/115

\* cited by examiner

*Primary Examiner* — Cynthia M. Chin

(74) *Attorney, Agent, or Firm* — Law Offices of Steven W. Weinrieb

(57) **CLAIM**

The ornamental design for a tent, as shown and described.

**DESCRIPTION**

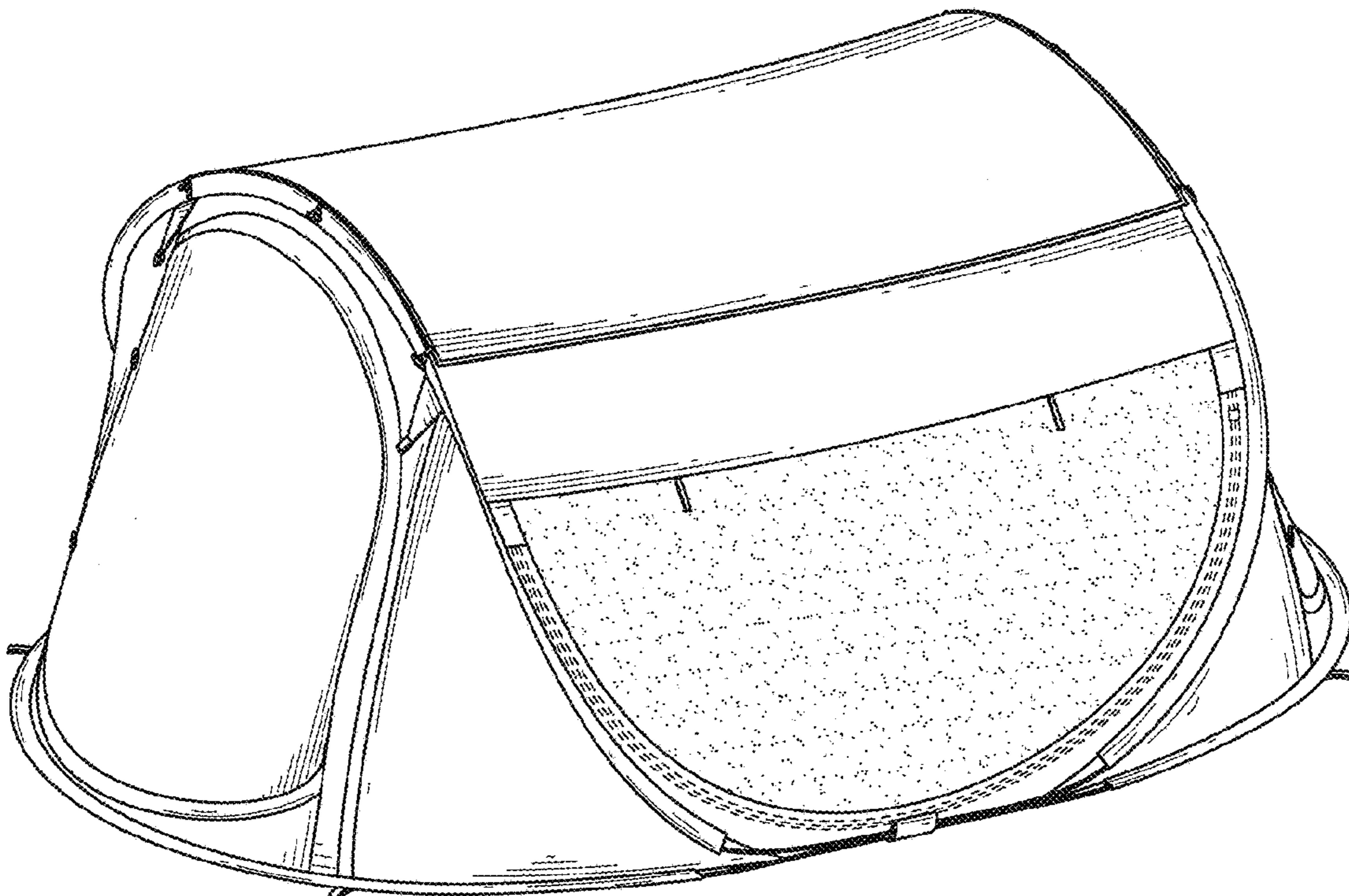
FIG. 1 is a front, left side, perspective view of the tent showing my new design;  
 FIG. 2 is a front elevational view thereof;  
 FIG. 3 is a rear elevational view thereof;  
 FIG. 4 is a left side elevational view thereof;  
 FIG. 5 is a right side elevational view thereof;  
 FIG. 6 is a top plan view thereof;  
 FIG. 7 is a bottom plan view thereof; and,  
 FIG. 8 is a front, left side, perspective view, similar to that of FIG. 1, showing, however, the tent in a state of use where the left side and front flaps have been rolled open so as to permit entry into and exit out from the tent.  
 The broken lines are for the purpose of illustrating portions of the article that form no part of the claim.

**1 Claim, 8 Drawing Sheets**

(56) **References Cited**

U.S. PATENT DOCUMENTS

- 3,960,161 A \* 6/1976 Norman ..... E04H 15/18  
135/126
- D341,407 S \* 11/1993 McLeese ..... D21/837
- 6,672,323 B2 \* 1/2004 Gupta ..... E04H 15/40  
135/126
- D534,615 S \* 1/2007 van Aalst ..... D21/834
- D630,286 S \* 1/2011 Bell ..... D21/834
- D630,287 S \* 1/2011 Bell ..... D21/834
- D679,771 S \* 4/2013 Muggleton ..... D12/401
- D753,254 S \* 4/2016 Brensinger ..... D21/834
- D858,675 S \* 9/2019 Cheng ..... D21/834



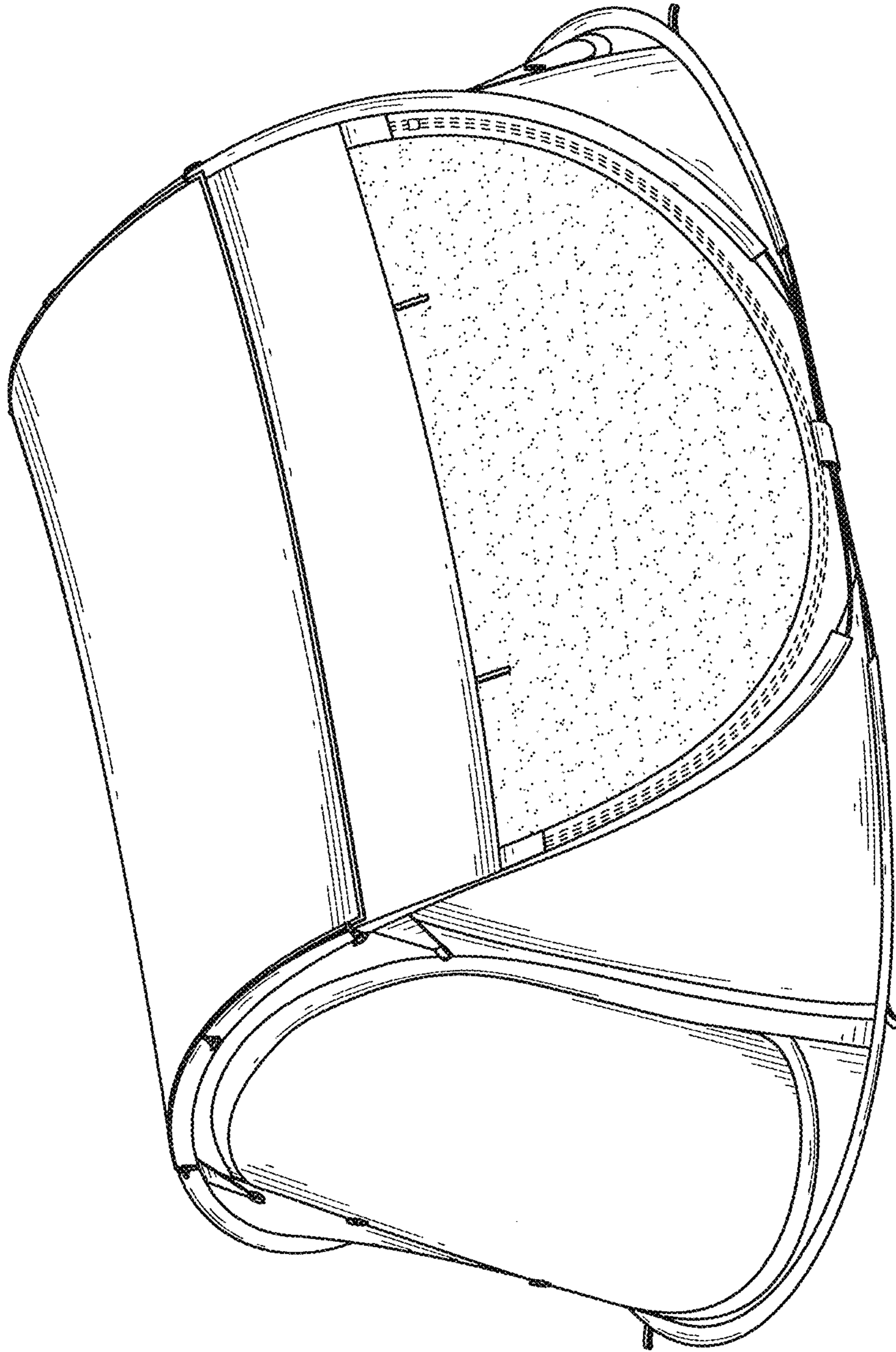


FIG. 1

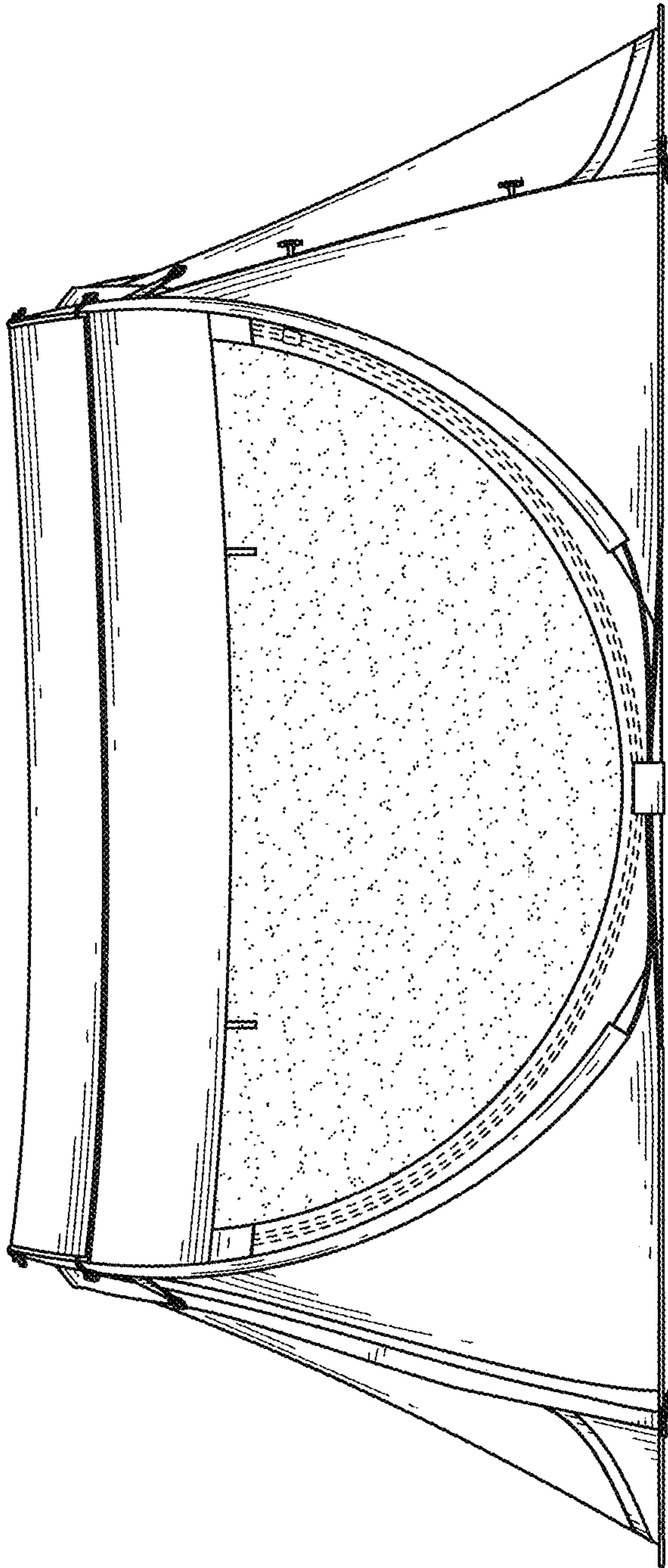


FIG. 2

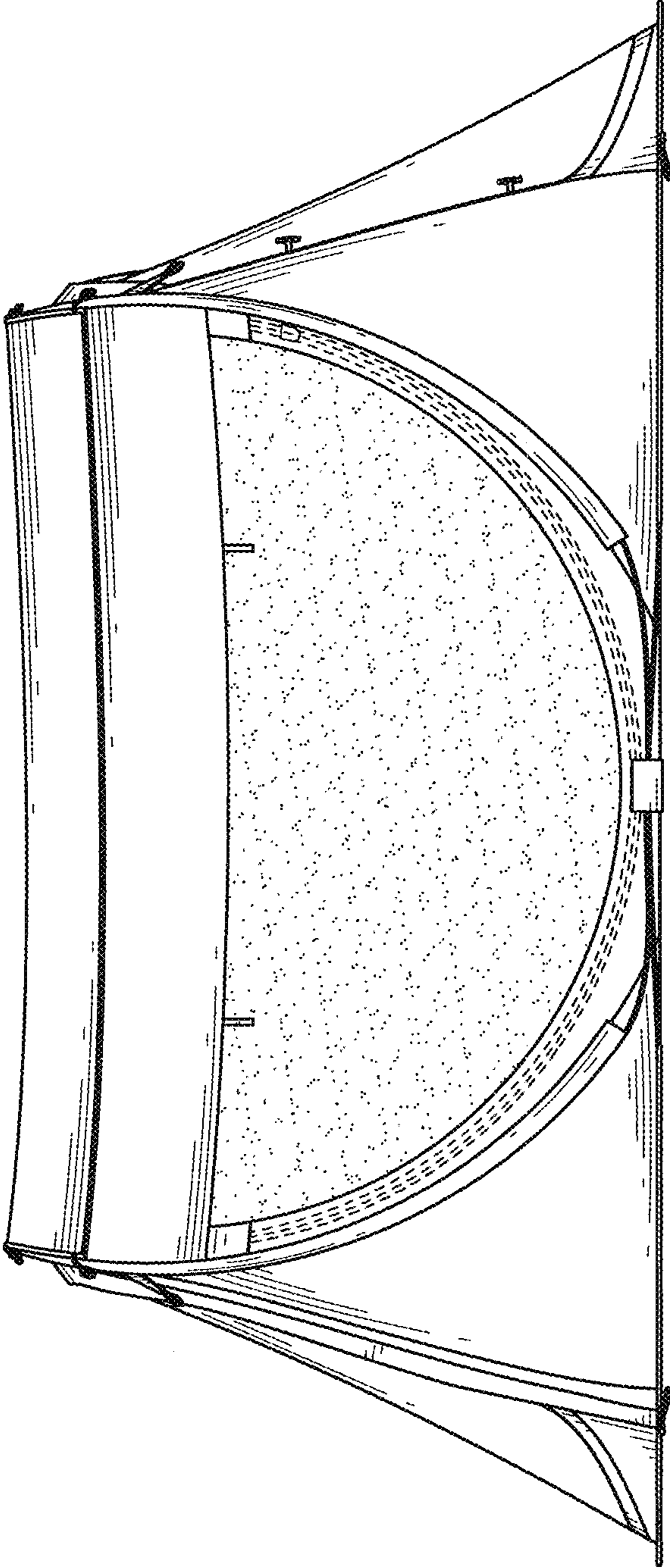


FIG. 3

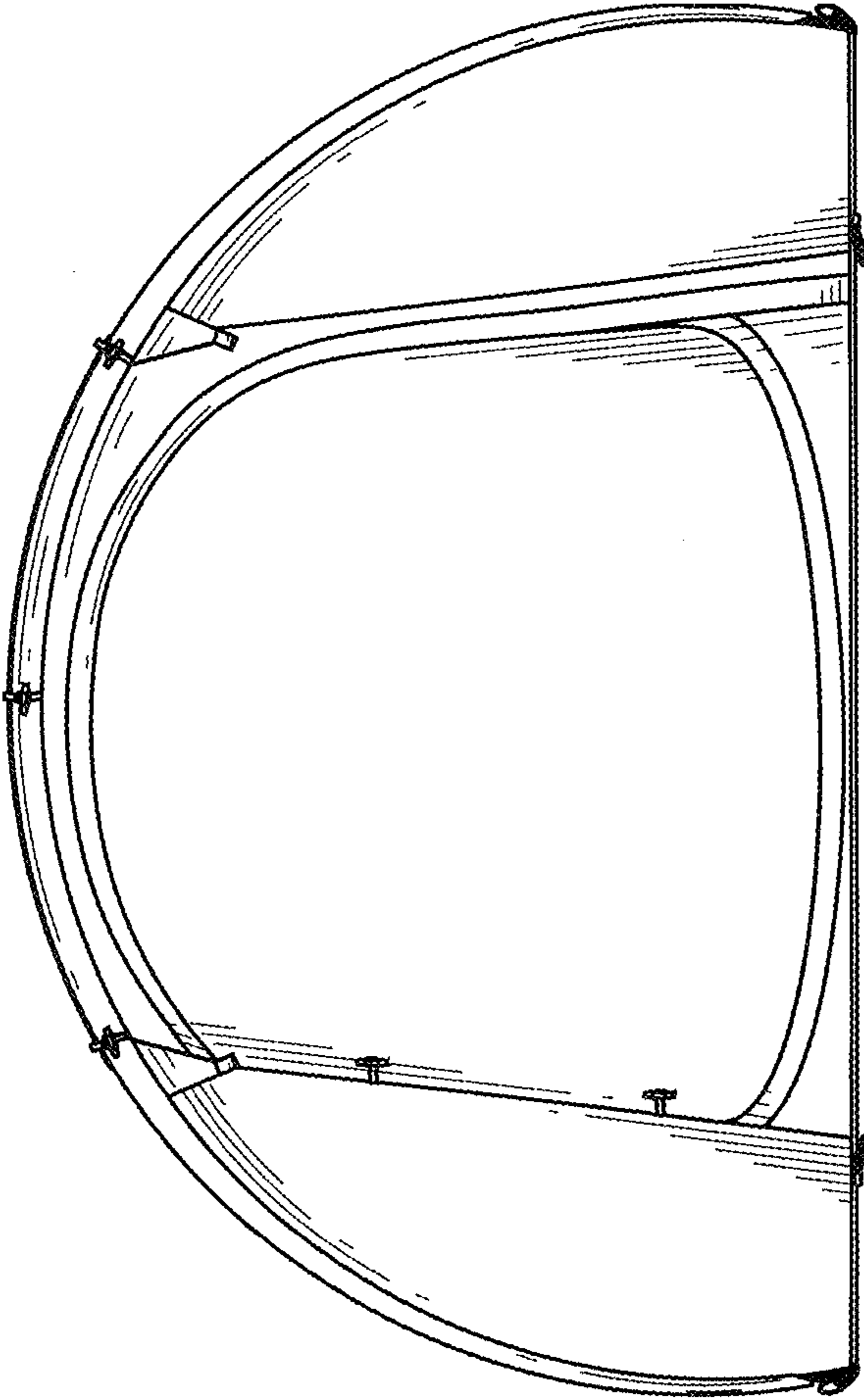


FIG. 4

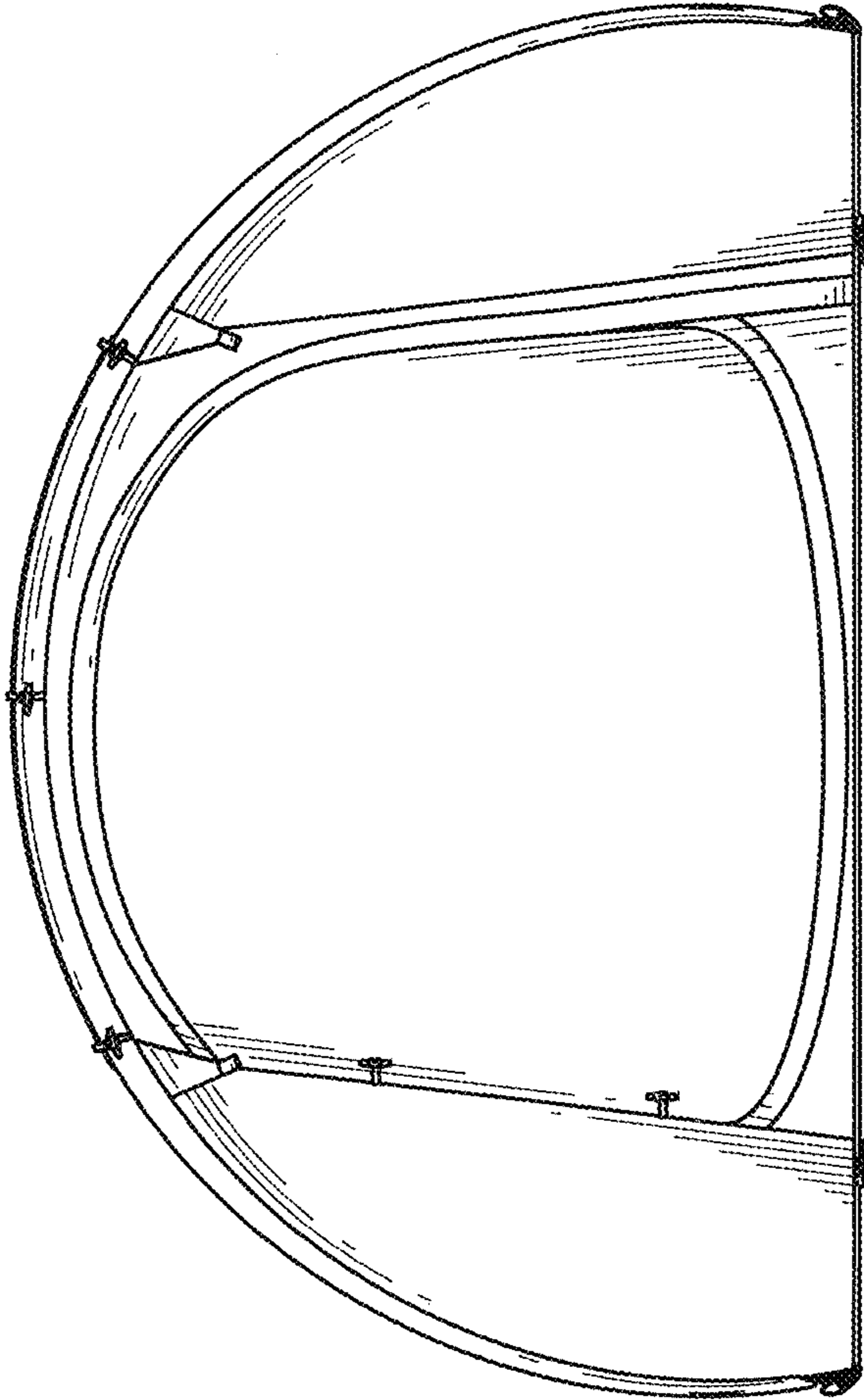


FIG. 5

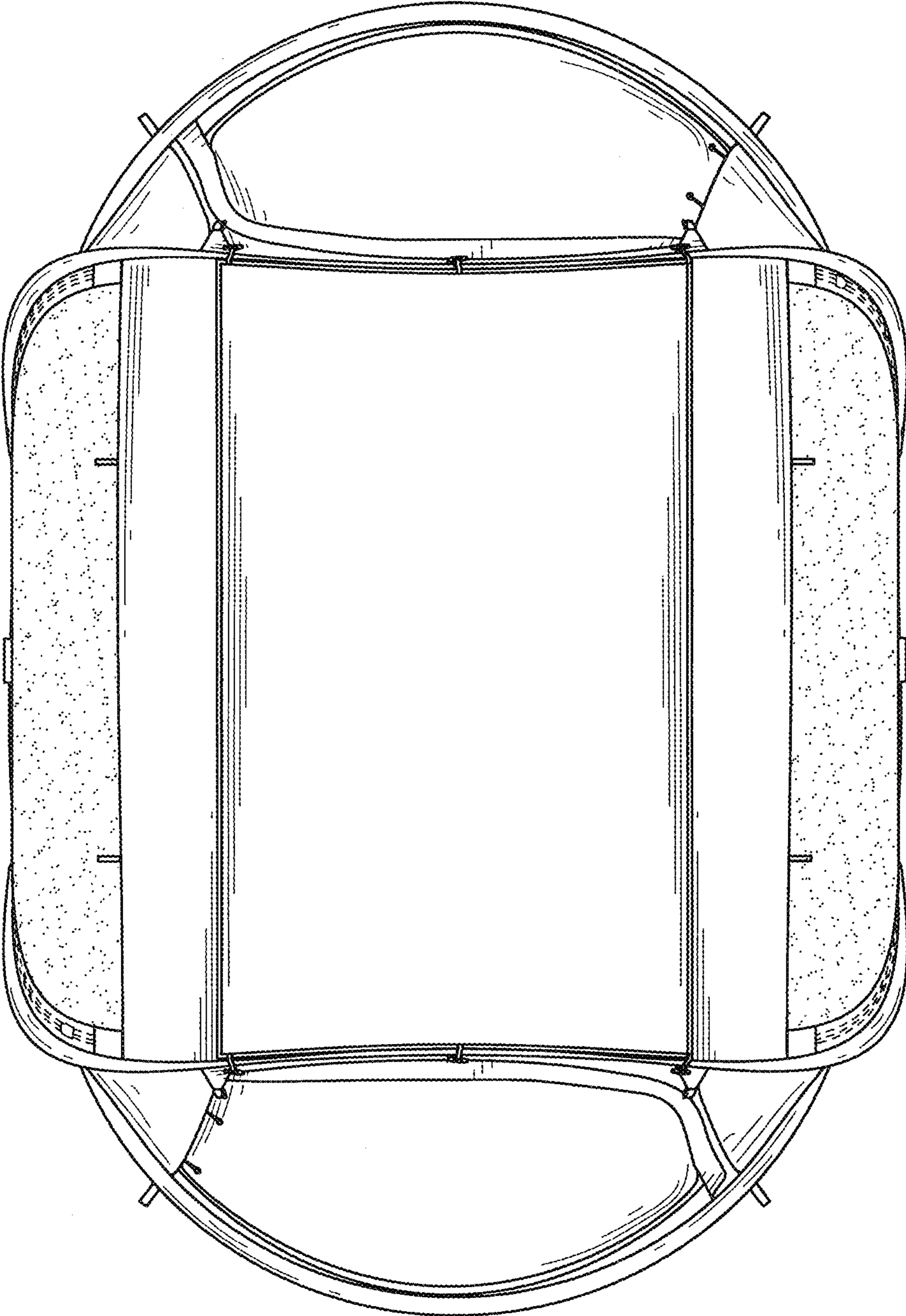


FIG. 6

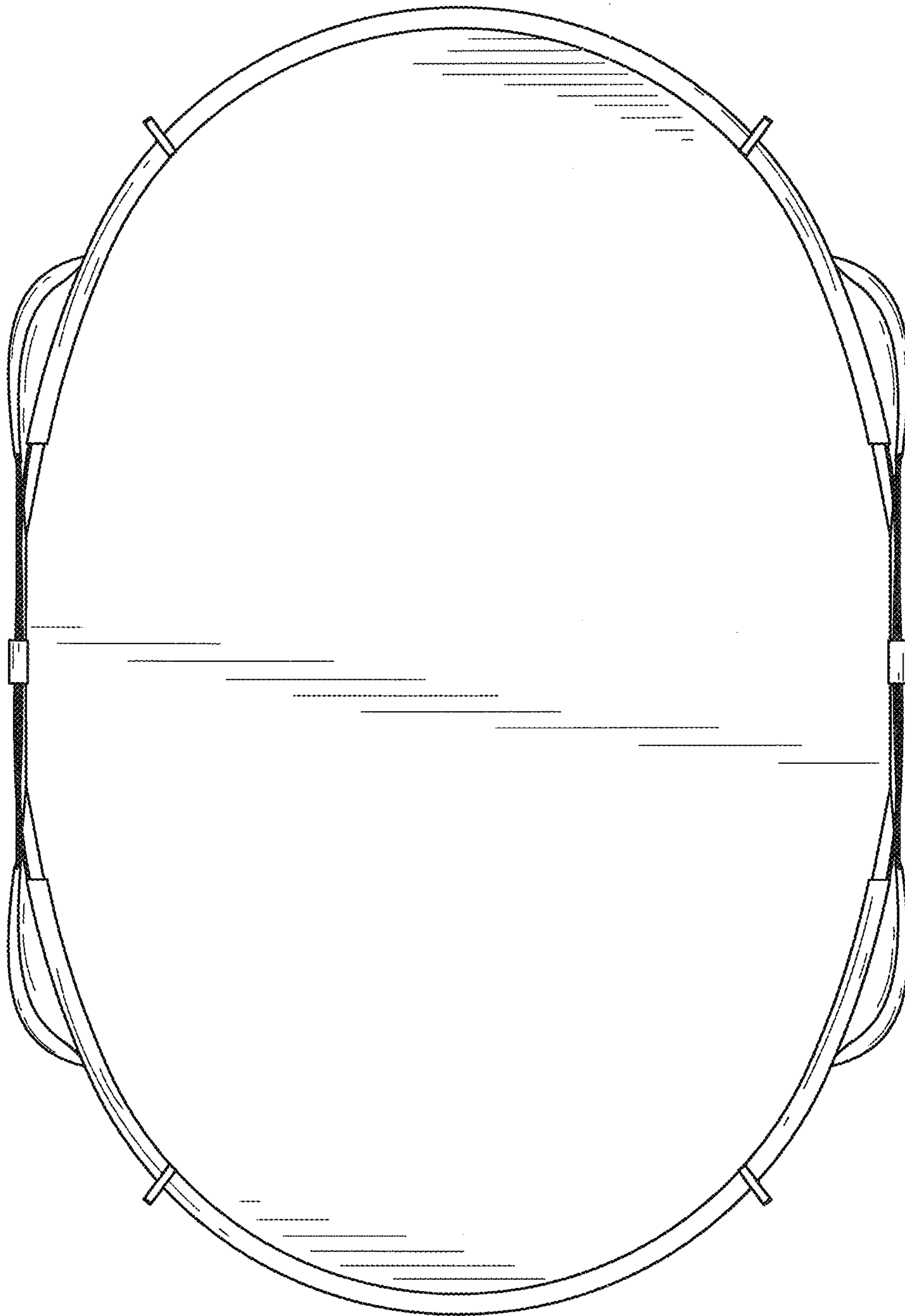


FIG. 7



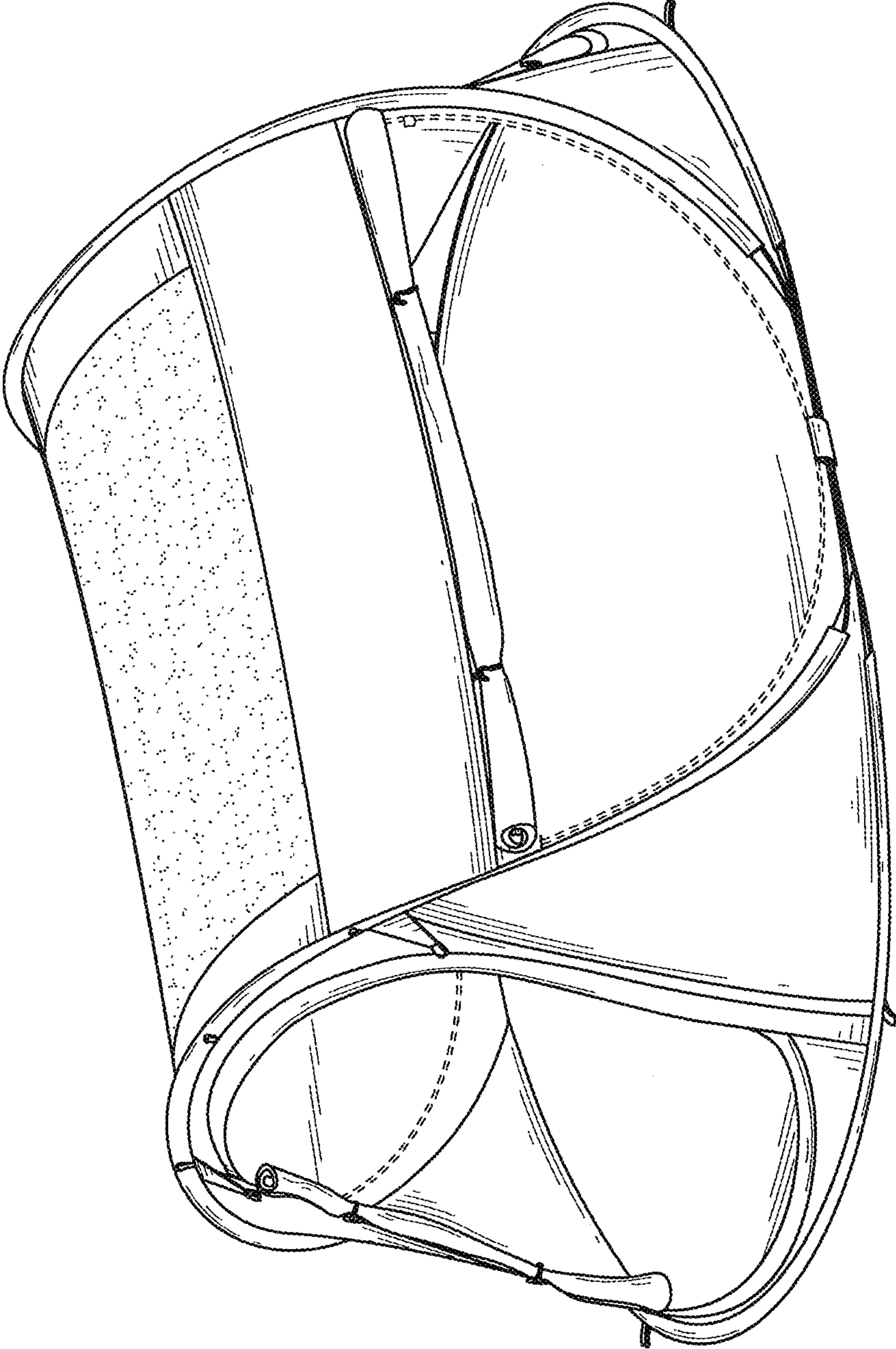


FIG. 8