



US00D872206S

(12) **United States Design Patent**  
**Engler et al.**

(10) **Patent No.:** **US D872,206 S**  
(45) **Date of Patent:** **\*\* Jan. 7, 2020**

- (54) **INFLATABLE DOG FLOAT**
- (71) Applicant: **P&P Imports LLC**, Santa Ana, CA (US)
- (72) Inventors: **Peter Engler**, Newport Beach, CA (US); **Peter Tanoury**, Newport Beach, CA (US)
- (73) Assignee: **P & P IMPORTS LLC**, Santa Ana, CA (US)
- (\*\*) Term: **15 Years**
- (21) Appl. No.: **29/675,220**
- (22) Filed: **Dec. 28, 2018**
- (51) **LOC (12) Cl.** ..... **21-02**
- (52) **U.S. Cl.**  
USPC ..... **D21/808**
- (58) **Field of Classification Search**  
USPC ..... D21/611, 769-770, 801, 803, 809;  
D12/5, 6, 316; D6/392, 595, 596, 601,  
D6/604, 605  
CPC ..... B63B 35/74; B63B 35/76; B63B 35/78;  
B63B 35/79; B63B 35/7906; B63B  
35/7909; B63B 35/7913; B63B 35/7916;  
B63B 35/792; B63B 35/7923; B63B  
35/7926; B63B 35/793  
See application file for complete search history.

- D519,594 S \* 4/2006 Brown ..... D21/603
- D672,995 S \* 12/2012 Diaz ..... D21/611
- D787,617 S \* 5/2017 Krepack ..... D21/808
- D792,527 S \* 7/2017 Breen ..... D21/611
- D827,391 S \* 9/2018 Summer ..... D7/625
- D838,798 S \* 1/2019 Denney, Jr. .... D21/808

\* cited by examiner

*Primary Examiner* — Zenia I Bennett

(74) *Attorney, Agent, or Firm* — Casey Kempner

(57) **CLAIM**

The ornamental design for an inflatable dog float, as shown and described.

**DESCRIPTION**

FIG. 1 is a perspective view of an inflatable dog float showing the claimed design.

FIG. 2 is a top view of the inflatable dog float shown in FIG. 1.

FIG. 3 is a bottom view of the inflatable dog float shown in FIG. 1.

FIG. 4 is a top-side view of the inflatable dog float shown in FIG. 1.

FIG. 5 is a bottom-side view of the inflatable dog float shown in FIG. 1.

FIG. 6 is a left-side view of the inflatable dog float shown in FIG. 1; and,

FIG. 7 is a right-side view of the inflatable dog float shown in FIG. 1.

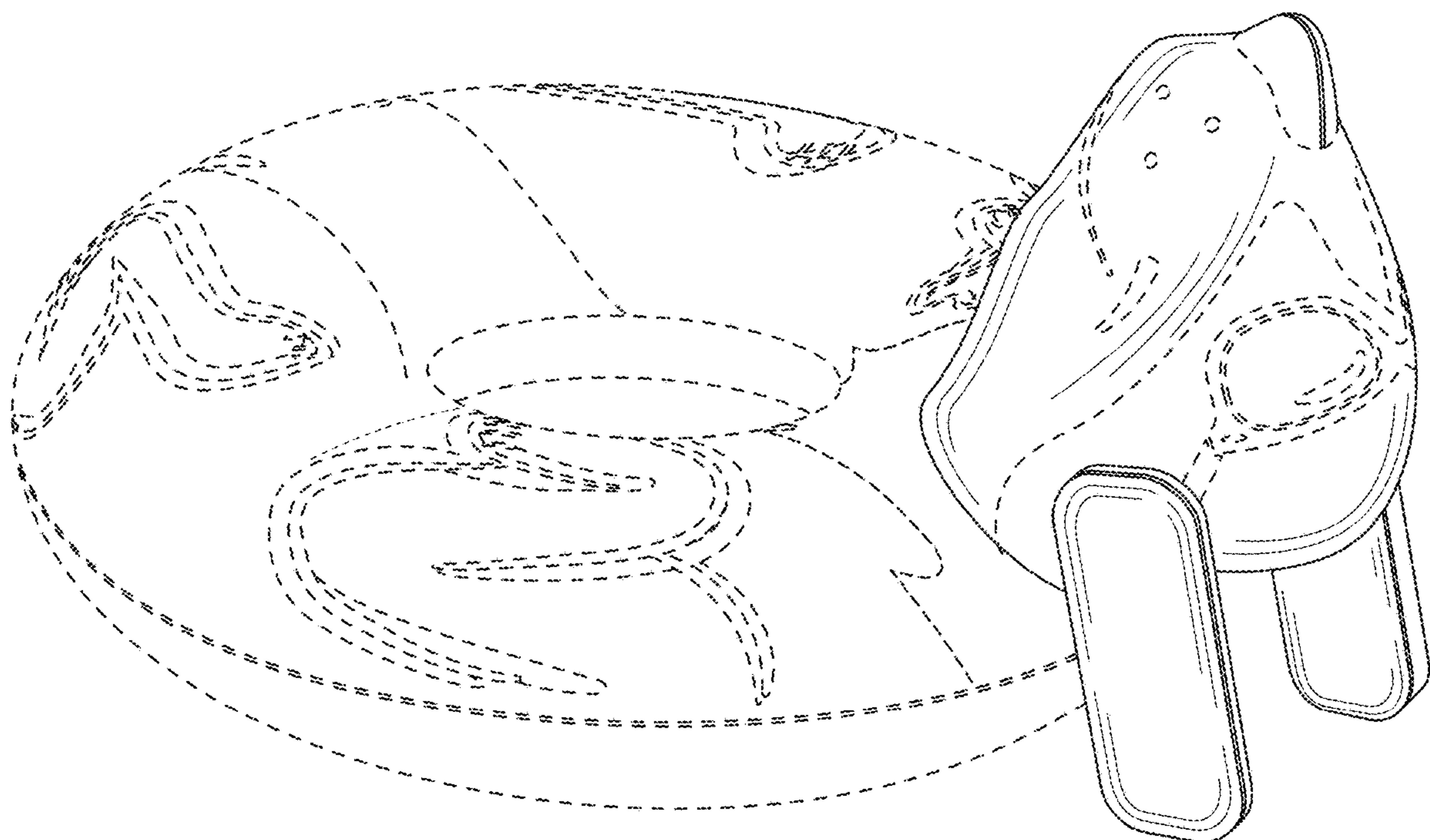
The broken lines in the figures show portions of the inflatable dog float that form no part of the claimed design.

(56) **References Cited**

**U.S. PATENT DOCUMENTS**

- D408,671 S \* 4/1999 Bear ..... D21/611
- D423,065 S \* 4/2000 Wong ..... D21/611

**1 Claim, 7 Drawing Sheets**



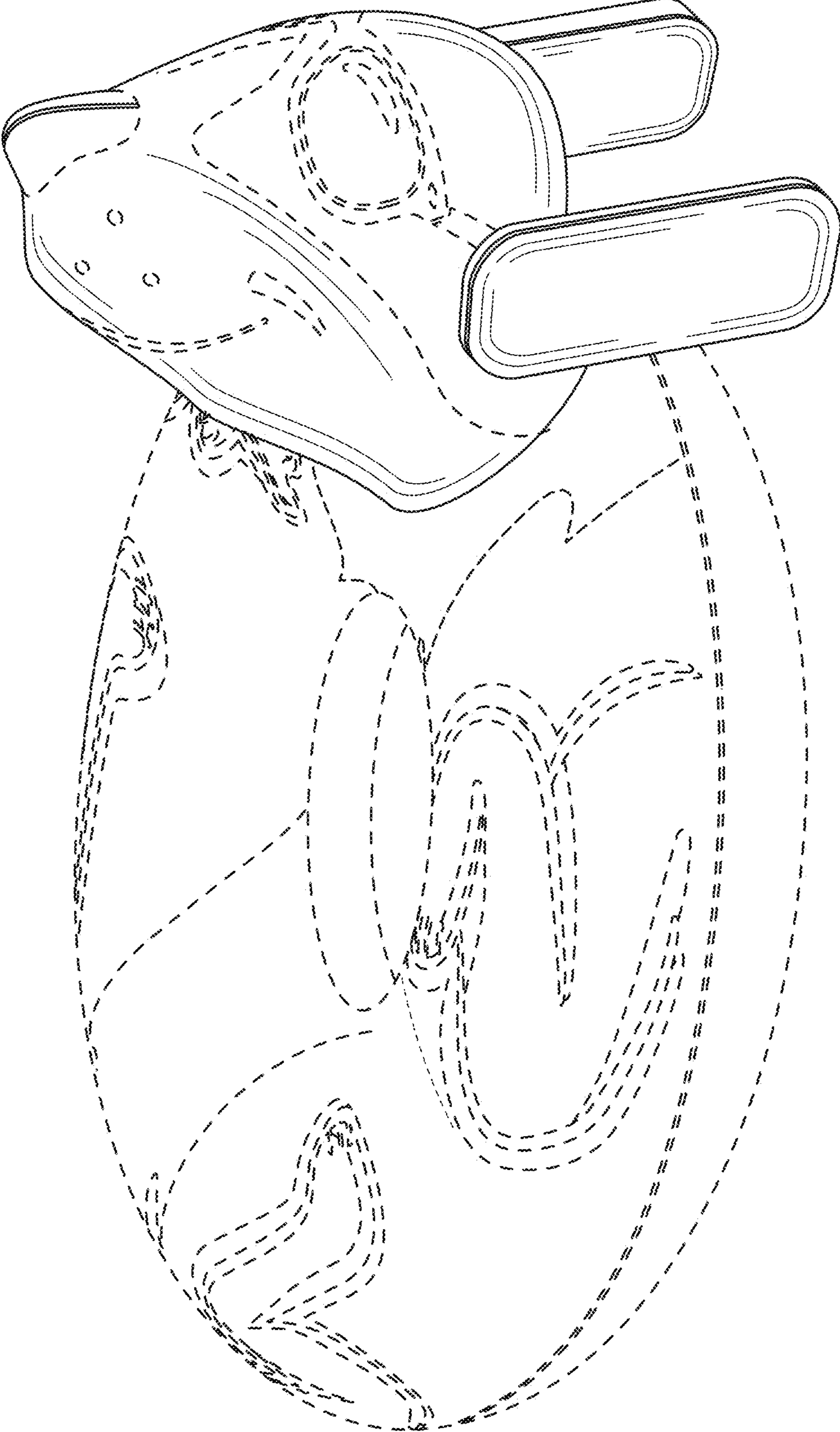


FIG. 1

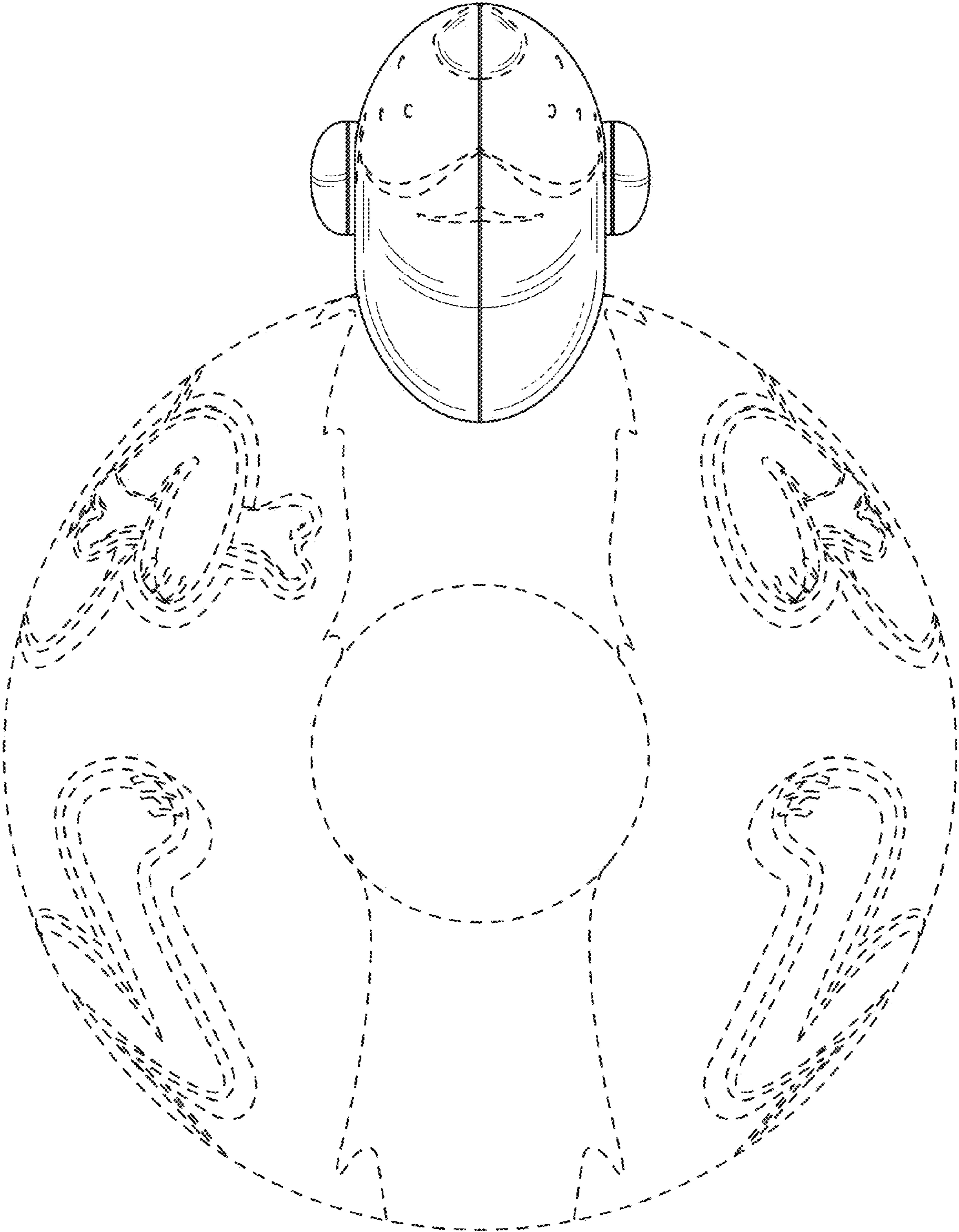


FIG. 2

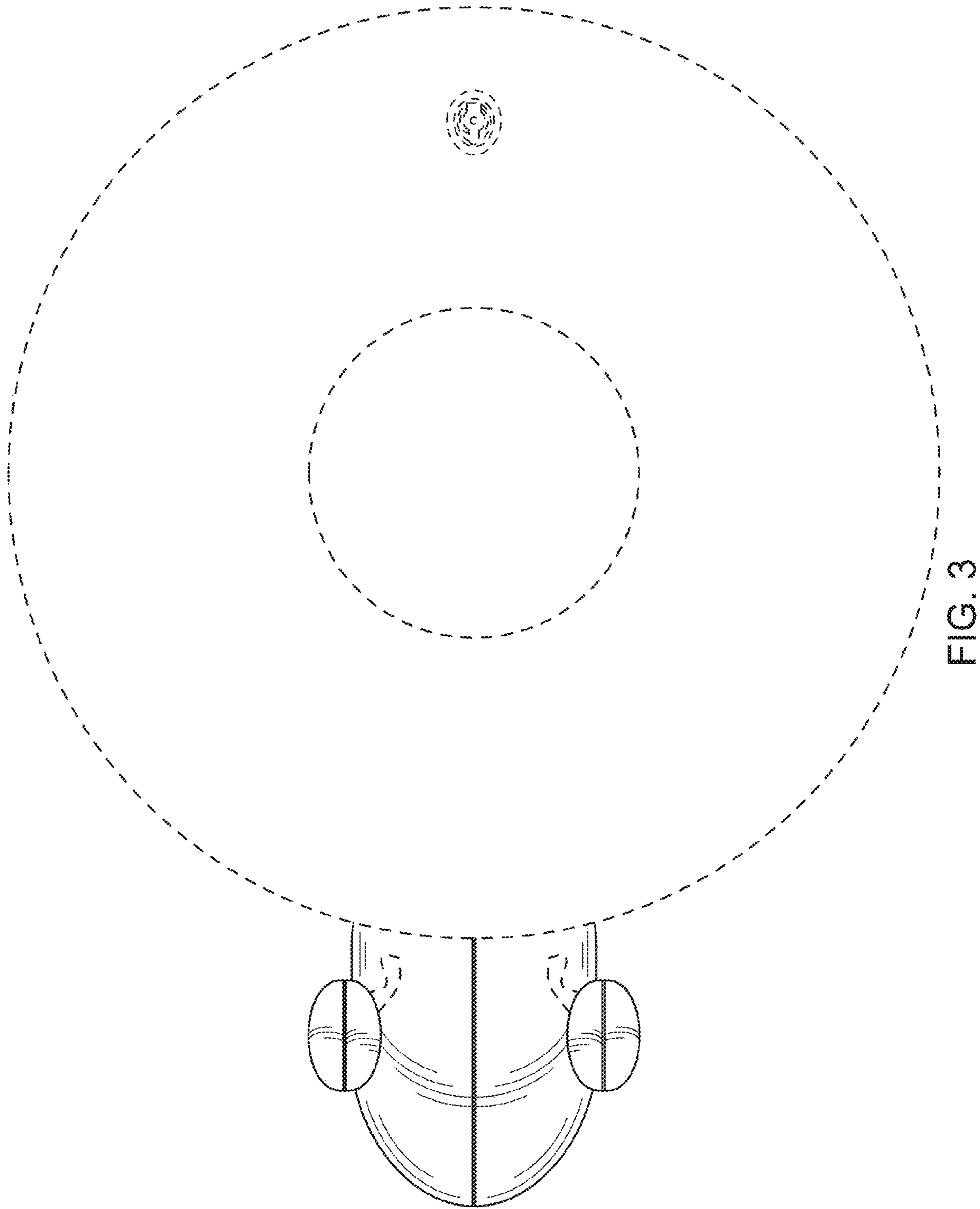


FIG. 3

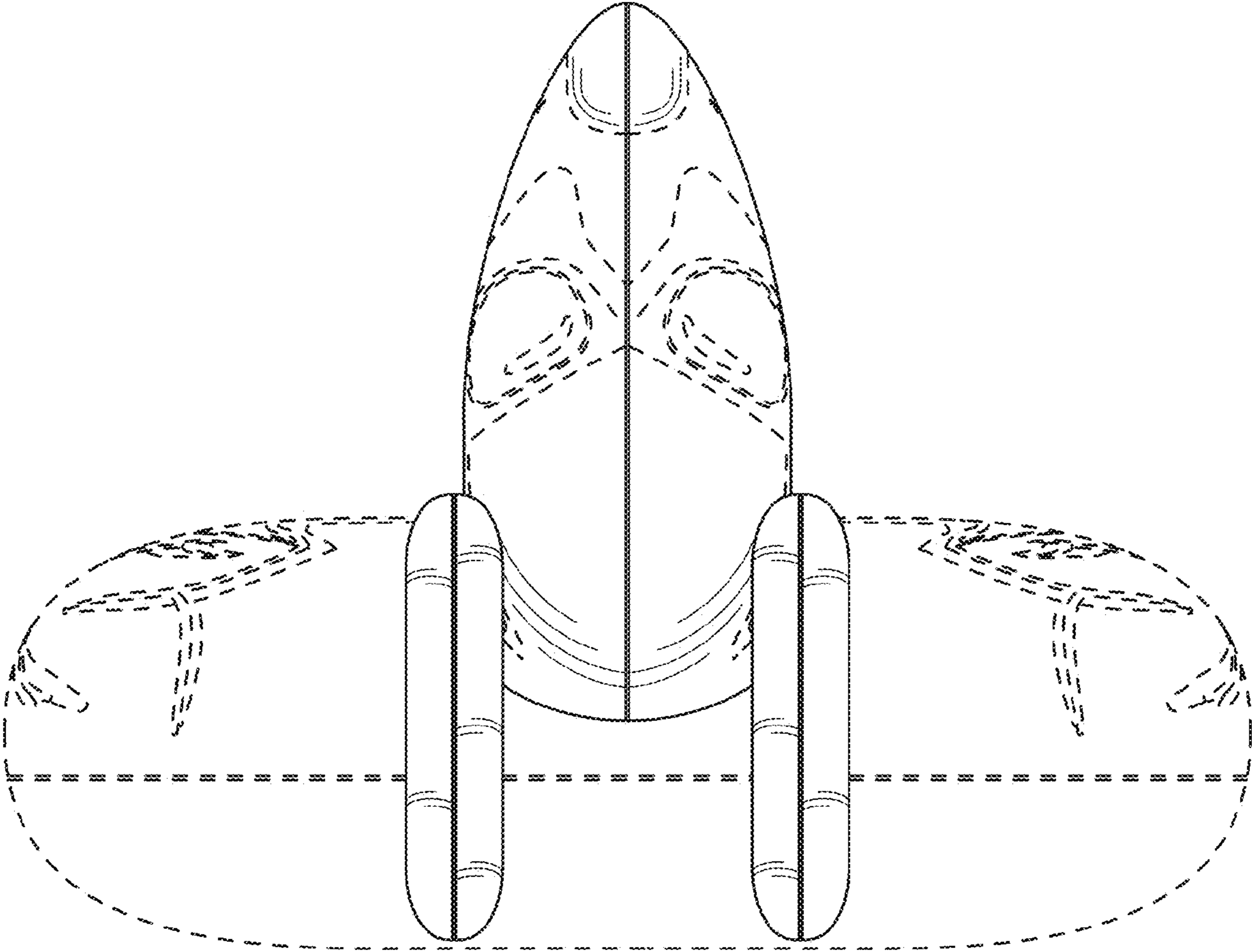


FIG. 4

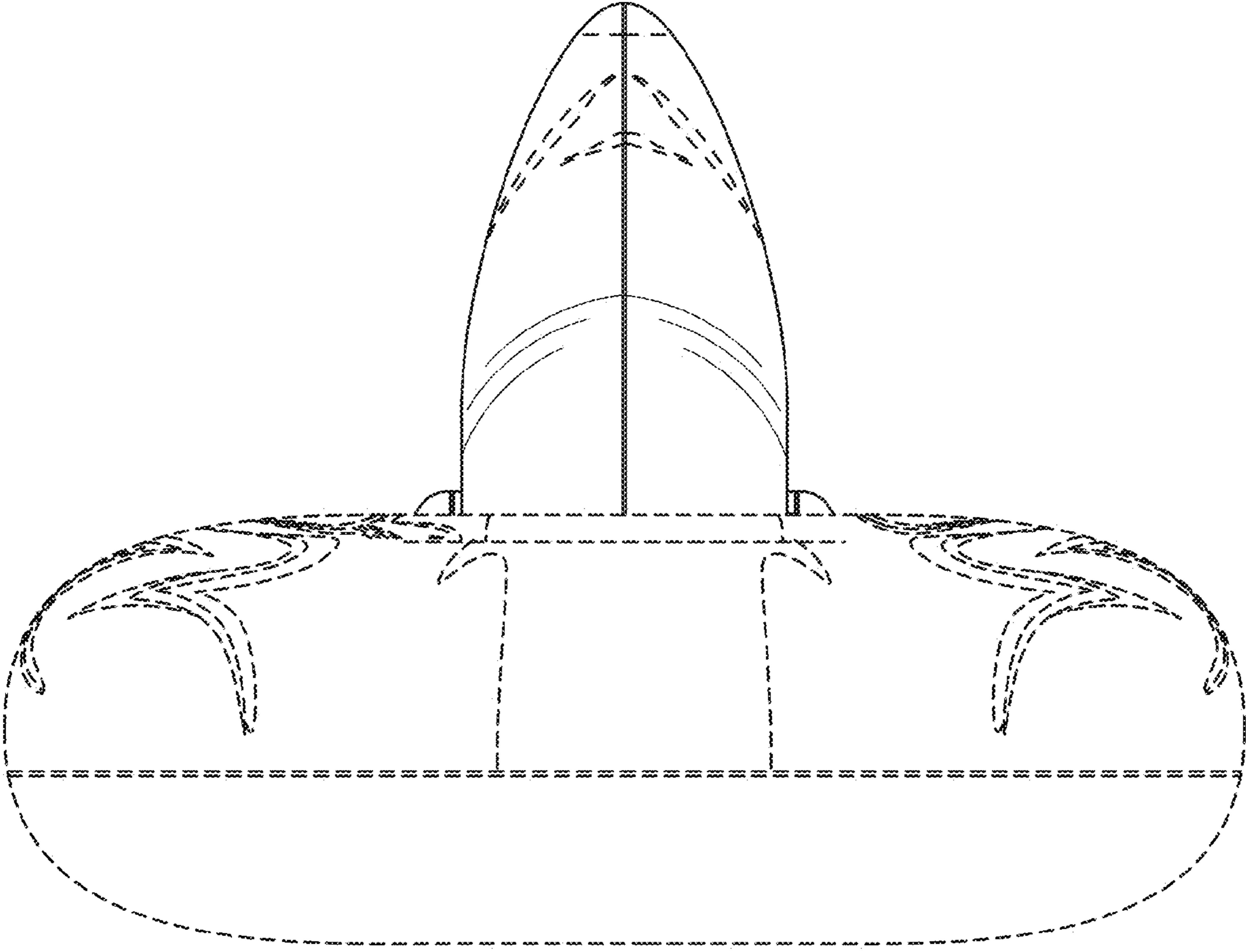


FIG. 5

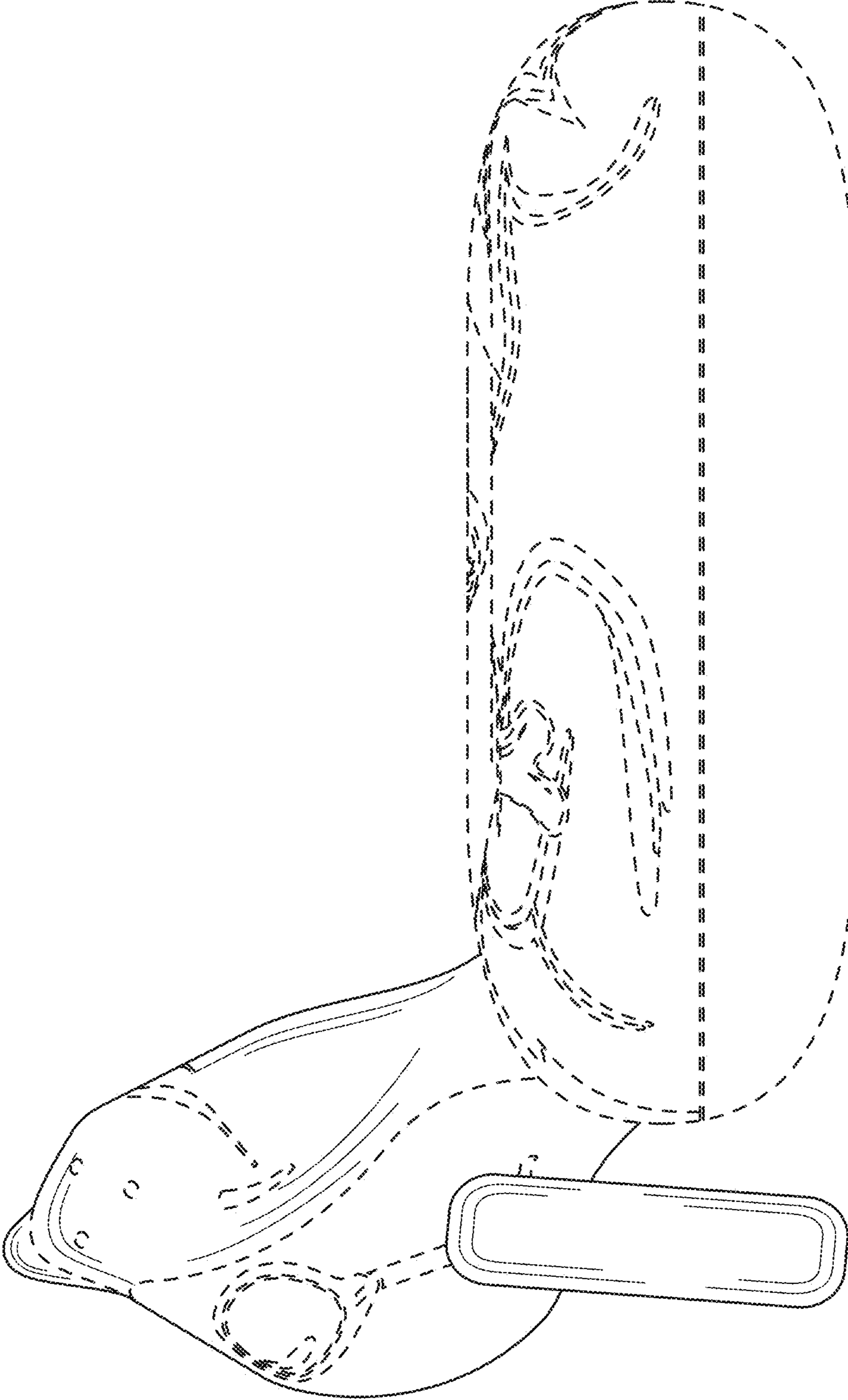


FIG. 6

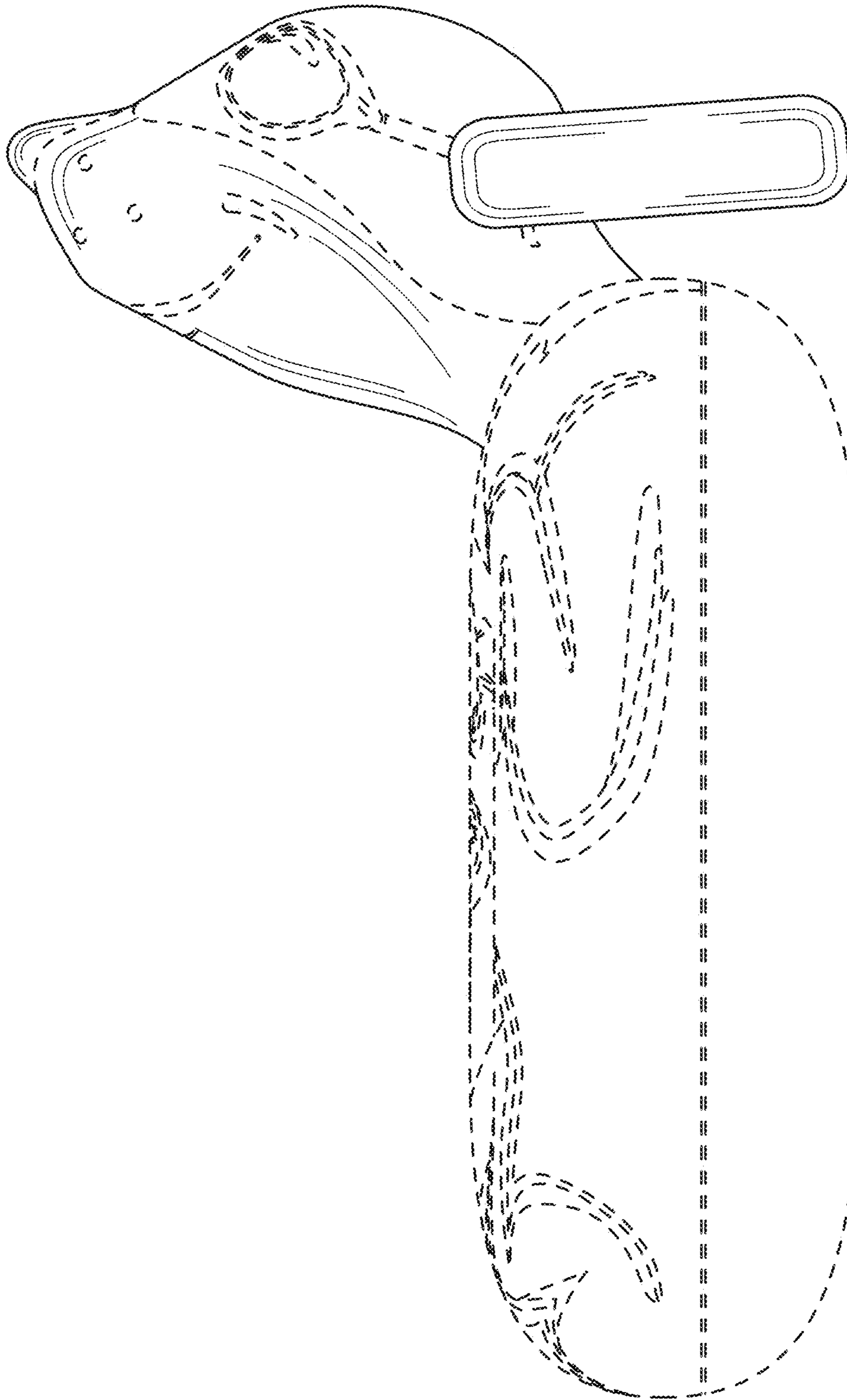


FIG. 7