

US00D872198S

(12) **United States Design Patent** (10) **Patent No.:** **US D872,198 S**  
**Kim** (45) **Date of Patent:** **\*\* Jan. 7, 2020**

(54) **FOAM ROLLER**  
(71) Applicant: **Hyosu Kim**, Goyang-si (KR)  
(72) Inventor: **Hyosu Kim**, Goyang-si (KR)  
(\*\*) Term: **15 Years**  
(21) Appl. No.: **29/626,176**  
(22) Filed: **Nov. 15, 2017**

(30) **Foreign Application Priority Data**

May 20, 2017 (KR) ..... 30-2017-0022911

(51) **LOC (12) Cl.** ..... **21-02**

(52) **U.S. Cl.**  
USPC ..... **D21/662**

(58) **Field of Classification Search**  
USPC ..... 601/99, 114, 118, 120, 121, 124, 125,  
601/130, 131, 134, 135, 136, 137;  
D24/200, 211, 212, 213, 214, 215;  
D12/114, 178; D8/303; D21/803  
CPC .... A61H 2015/0014; A61H 2203/0425; A61H  
2203/0443; A61H 2201/169; A61H  
15/0092; A63B 21/00047; B62J 33/00  
See application file for complete search history.

(56) **References Cited**

U.S. PATENT DOCUMENTS

D352,442 S \* 11/1994 Lee-Chang ..... D8/303  
D670,817 S \* 11/2012 Narevsky ..... D24/211  
D674,907 S \* 1/2013 Matsuura ..... D24/215  
D674,908 S \* 1/2013 Matsuura ..... D24/215  
D675,331 S \* 1/2013 Matsuura ..... D24/215  
D689,155 S \* 9/2013 Jahns ..... D24/211  
D696,923 S \* 1/2014 Ichikawa ..... D8/303  
D700,709 S \* 3/2014 Khodabakhshian ..... D24/211  
D713,050 S \* 9/2014 Kao ..... A61H 15/00  
D24/211  
D714,952 S \* 10/2014 Gonglach ..... A61H 15/00  
D24/211  
D736,398 S \* 8/2015 Kwon ..... D24/211

D737,456 S \* 8/2015 McDonough ..... D24/211  
D755,304 S \* 5/2016 Ackerman ..... D21/662  
9,415,258 B1 \* 8/2016 Higgins ..... A63B 21/068  
D785,103 S \* 4/2017 Townsend ..... D21/662  
2012/0065557 A1 \* 3/2012 Phillips ..... A61H 15/0092  
601/99  
2014/0128786 A1 \* 5/2014 Ross ..... A61H 15/0092  
601/118  
2015/0005146 A1 \* 1/2015 Chen ..... A63B 21/00047  
482/142  
2015/0045707 A1 \* 2/2015 Selvaggio ..... A61H 15/0092  
601/118  
2015/0080774 A1 \* 3/2015 Olaya ..... A61H 15/00  
601/121

(Continued)

*Primary Examiner* — Cynthia Ramirez  
*Assistant Examiner* — Michael A Maharajh  
(74) *Attorney, Agent, or Firm* — Dunlap Bennett &  
Ludwig PLLC

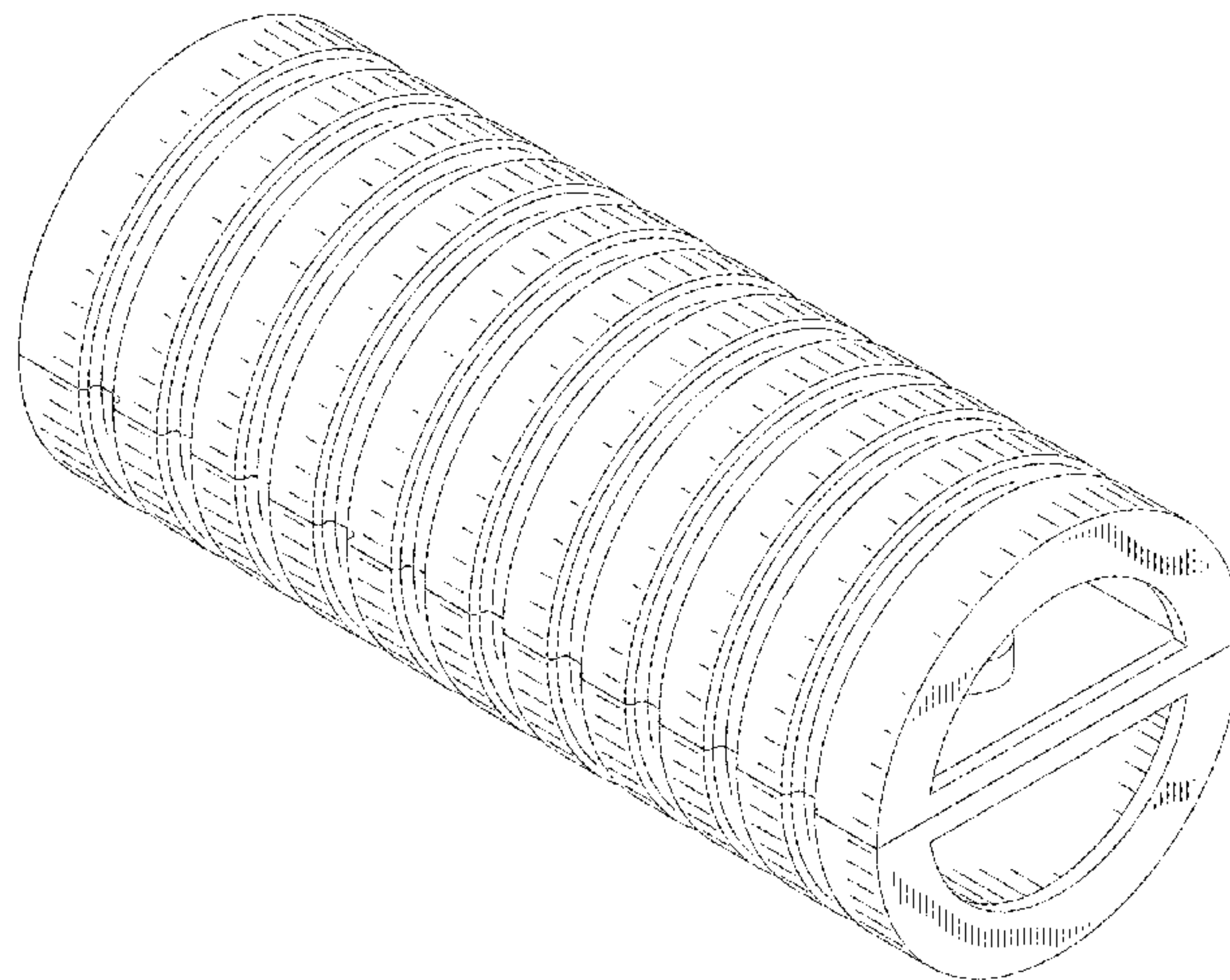
(57) **CLAIM**

The ornamental design for a foam roller, as shown and described.

**DESCRIPTION**

FIG. 1 is a perspective view of a foam roller, showing my new design;  
FIG. 2 is a top plan view thereof;  
FIG. 3 is a front elevation view thereof;  
FIG. 4 is a bottom plan view thereof;  
FIG. 5 is a rear elevation view thereof;  
FIG. 6 is a right side elevation view thereof;  
FIG. 7 is a left side elevation view thereof; and,  
FIG. 8 is a section view of FIG. 6, taken along line 8-8 in FIG. 6, the section view of FIG. 7 being a mirror image thereof.  
The broken lines shown in the drawings depict portions of the foam roller that form no part of the claimed design.

**1 Claim, 4 Drawing Sheets**



(56)

**References Cited**

U.S. PATENT DOCUMENTS

2015/0133835 A1\* 5/2015 Fadil ..... A61H 15/0092  
601/118  
2015/0190304 A1\* 7/2015 Lawrie ..... A61H 15/0092  
601/118  
2016/0235619 A1\* 8/2016 Yeh ..... A61H 15/00  
2016/0279009 A1\* 9/2016 Somjee ..... A61H 7/007  
2016/0331628 A1\* 11/2016 Kuo ..... A61H 15/00  
2017/0143583 A1\* 5/2017 Lin ..... A61H 23/02  
2017/0151126 A1\* 6/2017 Kong ..... B62J 1/007  
2017/0202729 A1\* 7/2017 Lin ..... A61H 15/0092  
2018/0049941 A1\* 2/2018 Venezia ..... A61H 15/02  
2018/0125745 A1\* 5/2018 Olaya ..... A61H 15/00

\* cited by examiner

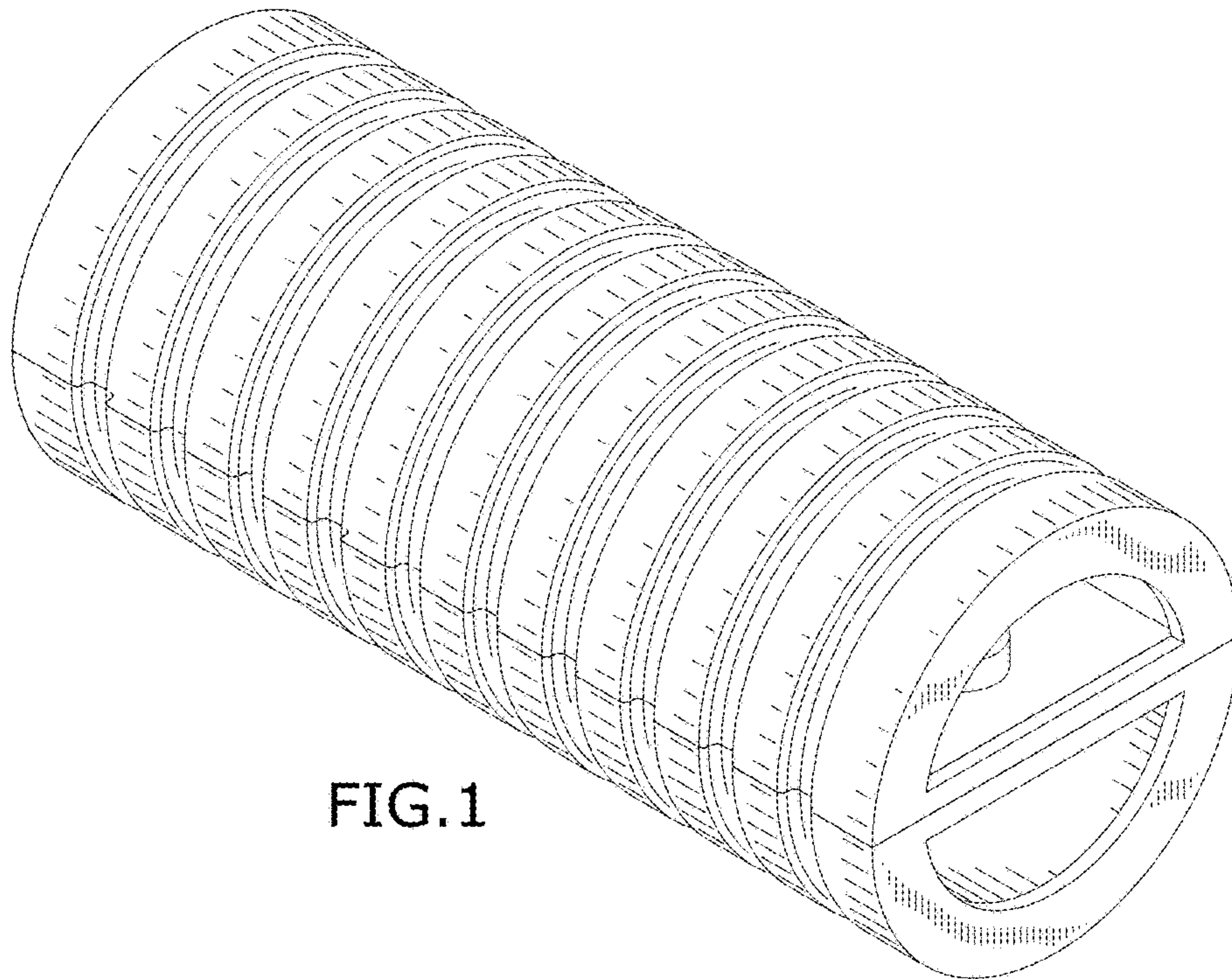


FIG. 1

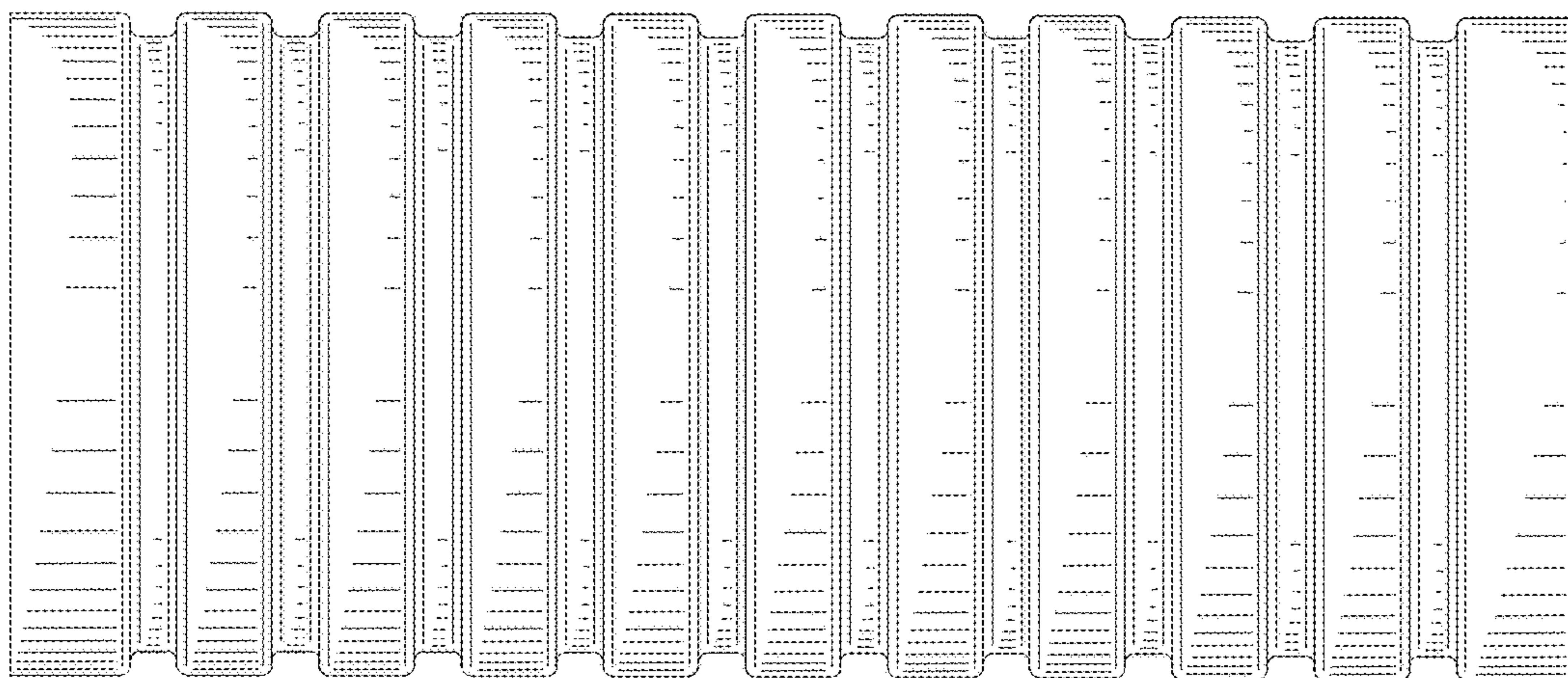


FIG. 2



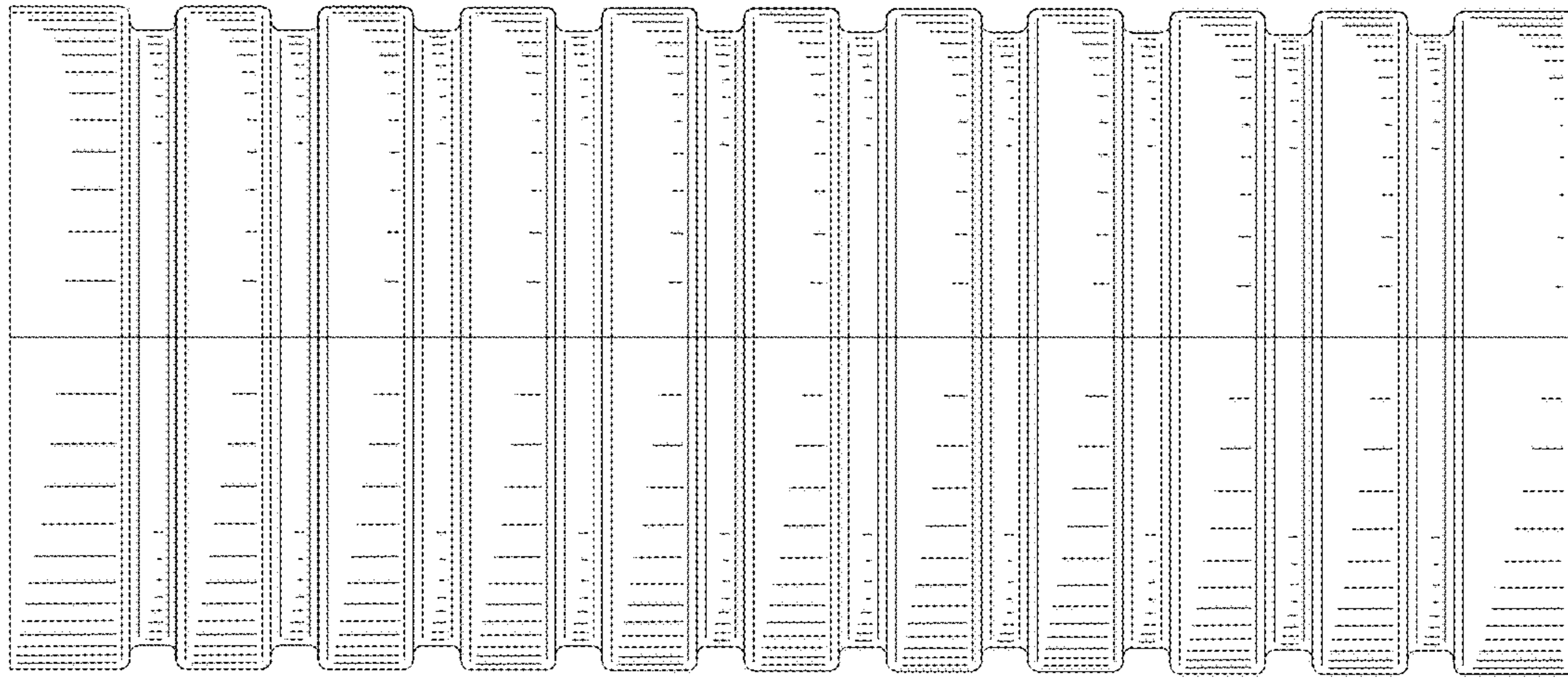


FIG. 3

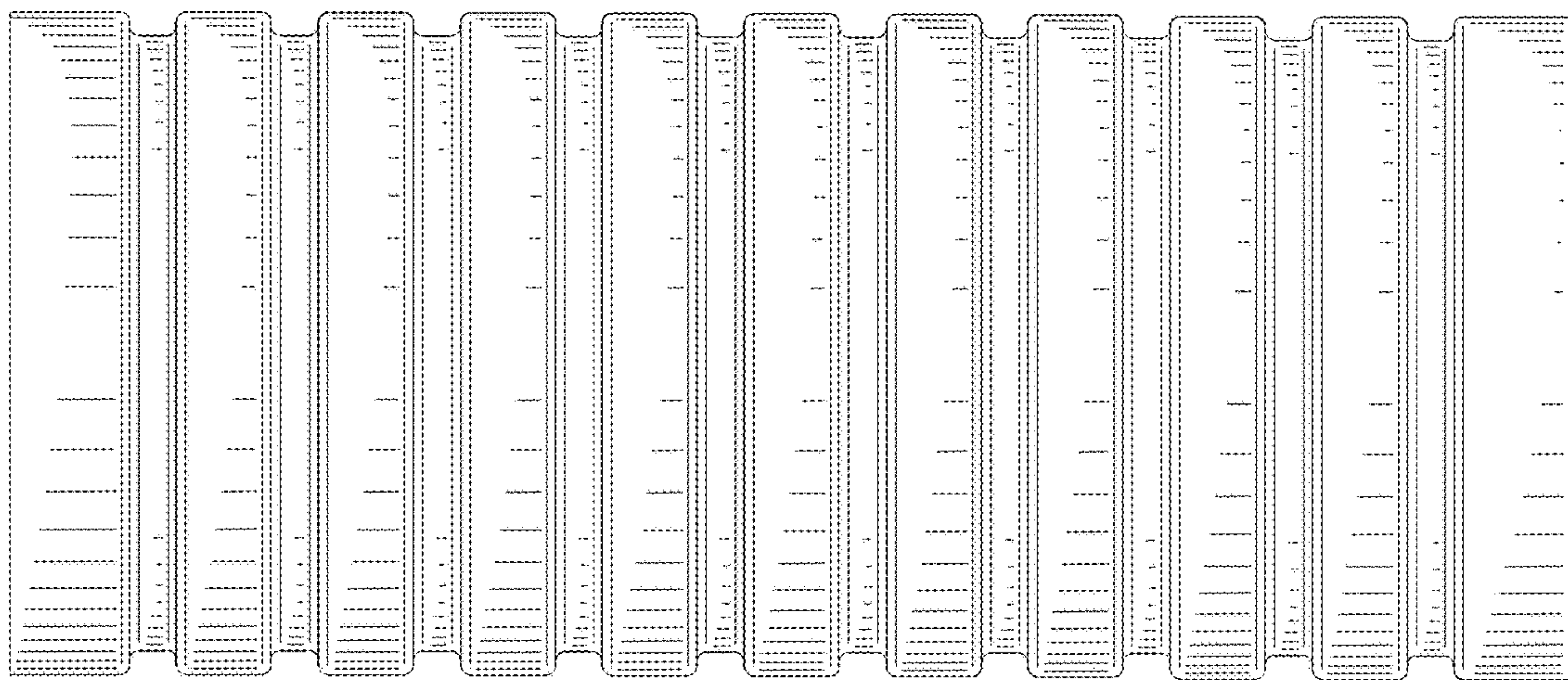


FIG. 4

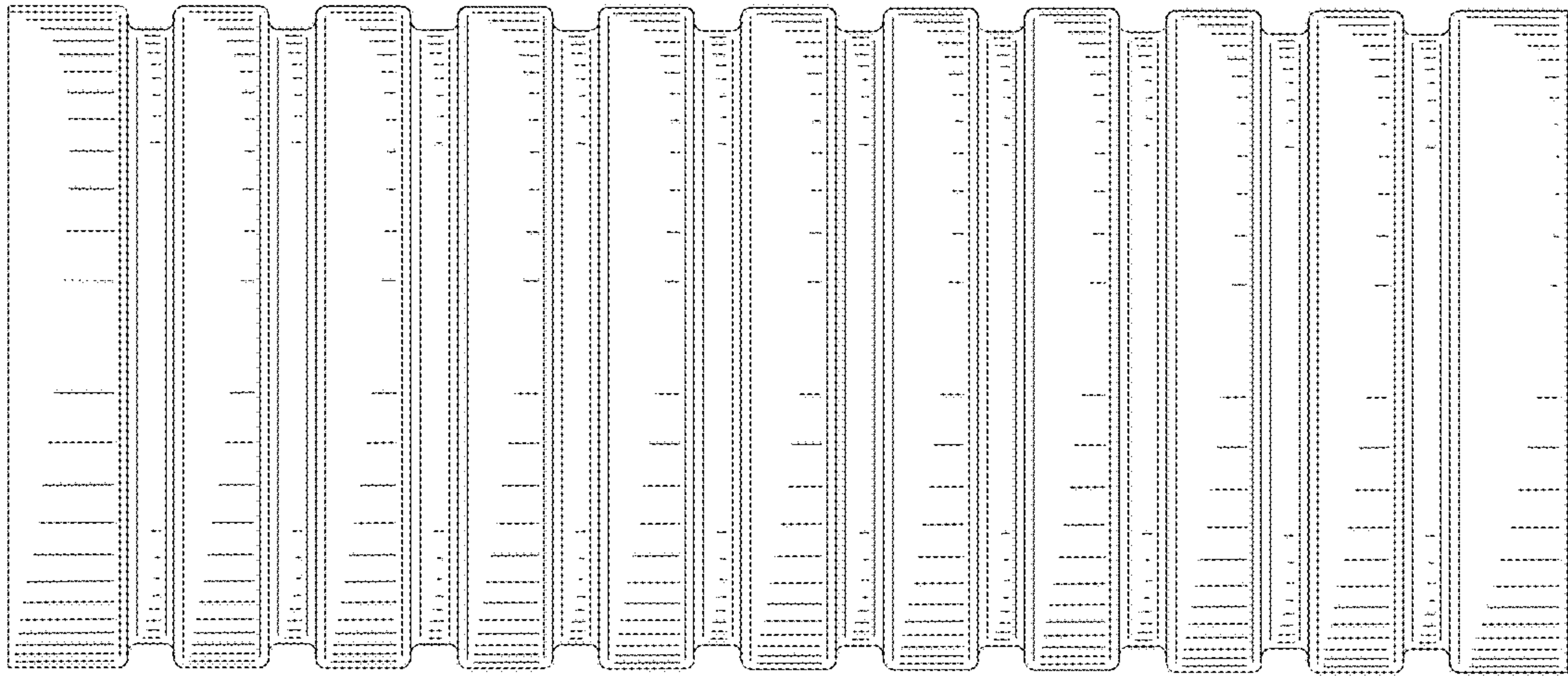


FIG. 5

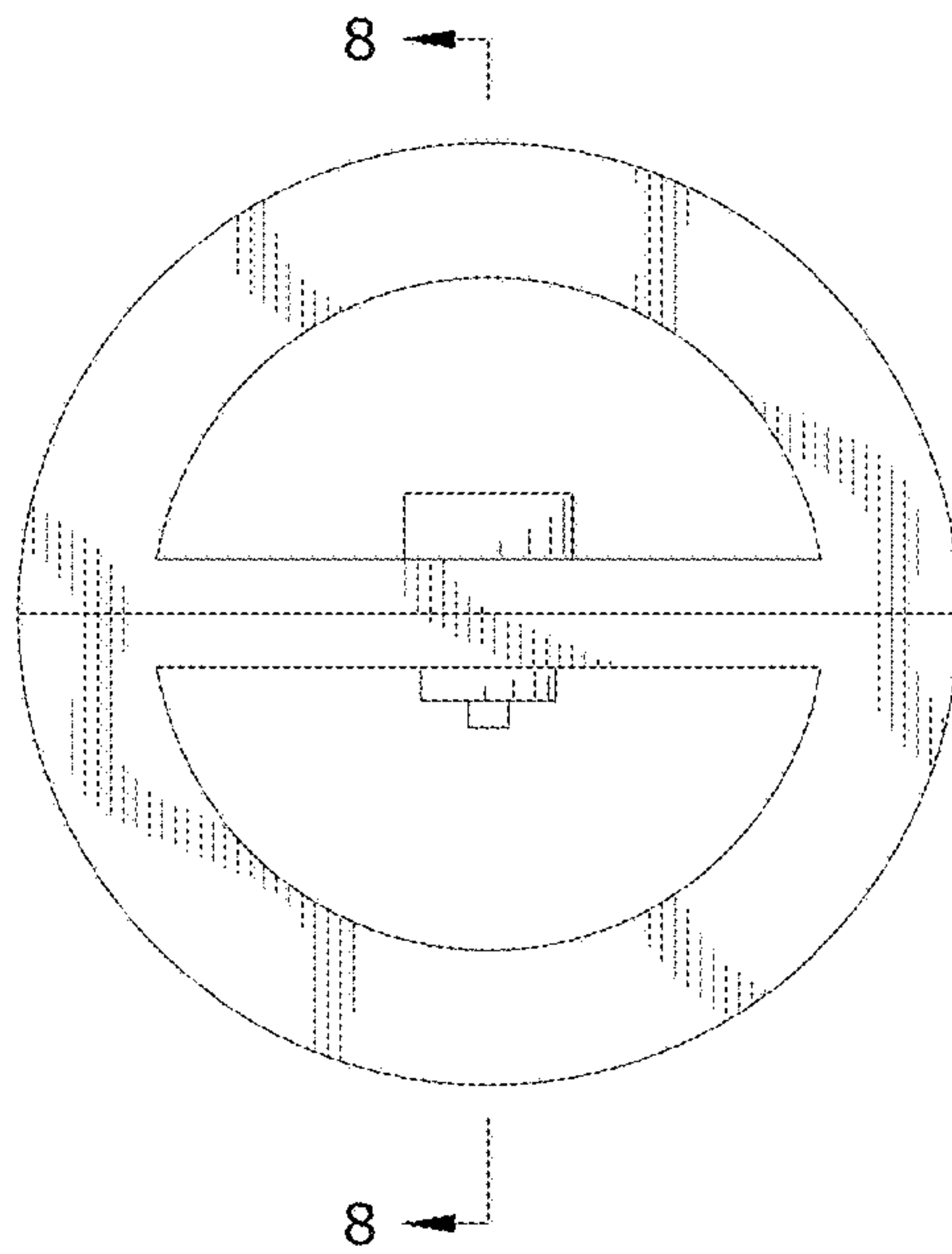


FIG. 6

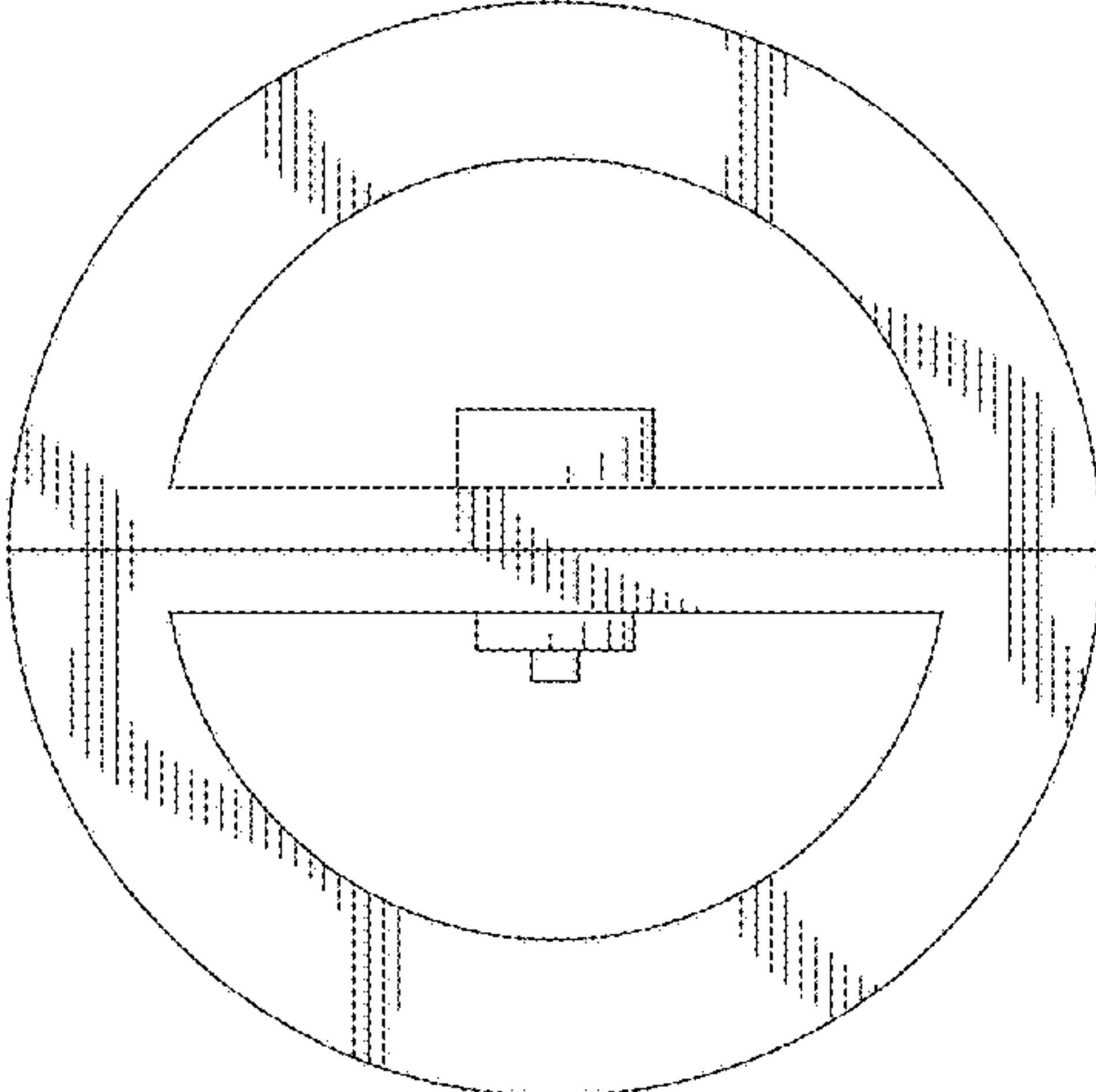


FIG. 7

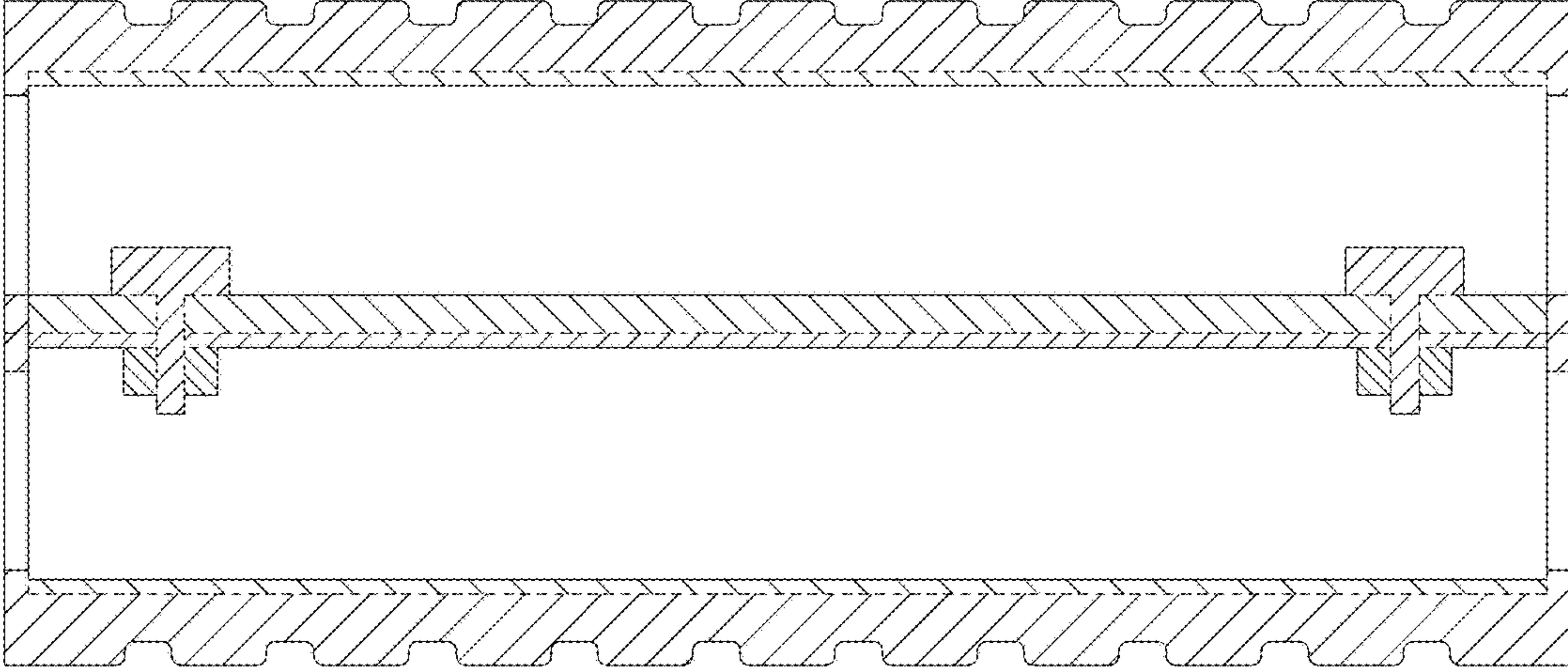


FIG. 8