

US00D872194S

(12) **United States Design Patent**  
**Miller et al.**

(10) **Patent No.:** **US D872,194 S**  
(45) **Date of Patent:** **\*\* Jan. 7, 2020**

(54) **DRAWING ACCESSORY FOR A TOY ROBOT**

(71) Applicant: **Play-i, Inc.**, San Mateo, CA (US)

(72) Inventors: **Wayne Miller**, San Mateo, CA (US);  
**Jussi Timonen**, San Mateo, CA (US);  
**Charles Forth Rosenwasser**, San  
Mateo, CA (US); **Diego Rivas**, San  
Mateo, CA (US); **Dave Heigho**, San  
Mateo, CA (US)

(73) Assignee: **Wonder Workshop, Inc.**, San Mateo,  
CA (US)

(\*\*) Term: **15 Years**

(21) Appl. No.: **29/634,696**

(22) Filed: **Jan. 24, 2018**

(51) **LOC (12) Cl.** ..... **21-01**

(52) **U.S. Cl.**  
USPC ..... **D21/578**

(58) **Field of Classification Search**

USPC ..... D21/578-583, 587, 621, 622; D15/199  
CPC . B25J 9/00; B25J 9/0003; B25J 9/0006; B25J  
9/0009

See application file for complete search history.

(56) **References Cited**

**U.S. PATENT DOCUMENTS**

D646,304 S \* 10/2011 Pickett ..... D15/28  
D708,411 S \* 7/2014 Schnautz ..... D34/14  
D710,953 S \* 8/2014 Katsutani ..... D15/199  
D734,821 S \* 7/2015 Greaves ..... D15/199

(Continued)

*Primary Examiner* — Zenia I Bennett

(74) *Attorney, Agent, or Firm* — Jeffrey Schox; Diana Lin

(57) **CLAIM**

We claim the ornamental design for a drawing accessory for a toy robot, as shown and described.

**DESCRIPTION**

FIG. 1 is an isometric view, from the top left, of the drawing accessory for a toy robot.

FIG. 2 is an isometric view, from the bottom right, of the drawing accessory for a toy robot.

FIG. 3 is an elevation view from the front side of the drawing accessory for a toy robot.

FIG. 4 is an elevation view from the left side of the drawing accessory for a toy robot.

FIG. 5 is an elevation view from the back of the drawing accessory for a toy robot.

FIG. 6 is an elevation view from the right side of the drawing accessory for a toy robot.

FIG. 7 is a plan view from the top of the drawing accessory for a toy robot.

FIG. 8 is a plan view from the bottom of the drawing accessory for a toy robot.

FIG. 9 is an isometric view, from the top left, an exploded view of the drawing accessory for a toy robot, with the pen removed from the chassis.

FIG. 10 is an isometric view, from the bottom right, the exploded view of the drawing accessory for a toy robot.

FIG. 11 is an elevation view from the front the exploded view of the drawing accessory for a toy robot.

FIG. 12 is an elevation view from the left side the exploded view of the drawing accessory for a toy robot.

FIG. 13 is an elevation view from the back the exploded view of the drawing accessory for a toy robot.

FIG. 14 is an elevation view from the right side the exploded view of the drawing accessory for a toy robot.

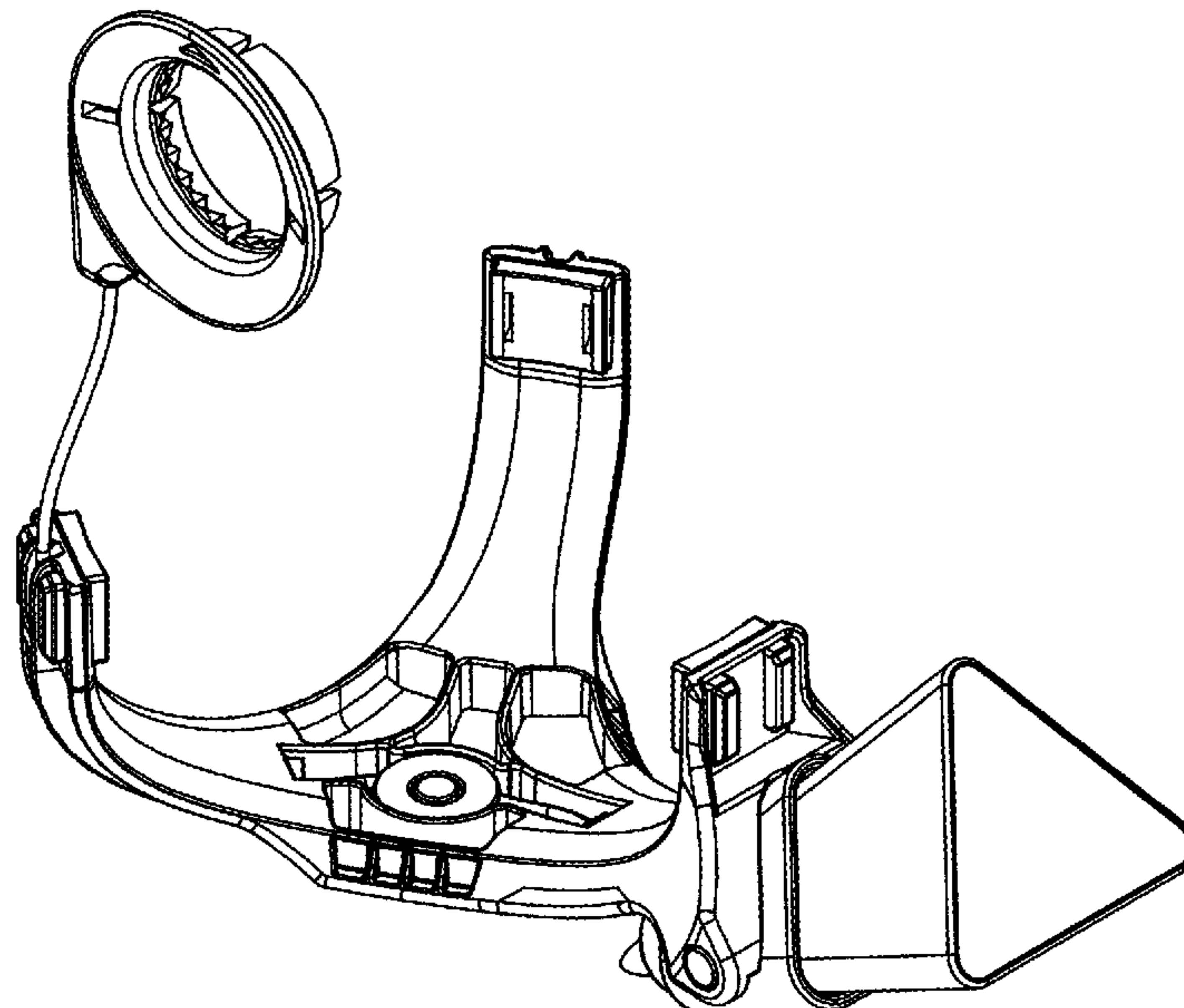
FIG. 15 is a plan view from the top the exploded view of the drawing accessory for a toy robot.

FIG. 16 is a plan view from the bottom the exploded view of the drawing accessory for a toy robot.

FIG. 17 is a plan view from the top of the Pen shown separately for convenience of illustration; and,

FIG. 18 is a plan view from the bottom of the Pen.

**1 Claim, 17 Drawing Sheets**



(56)

**References Cited**

U.S. PATENT DOCUMENTS

D806,760 S *	1/2018	Bentley .....	D15/30
D810,166 S *	2/2018	Lee .....	D15/199
D814,541 S *	4/2018	Iijima .....	D15/199
D819,144 S *	5/2018	Greaves .....	D21/578
D822,770 S *	7/2018	Hsiao .....	D21/578
D824,460 S *	7/2018	Wang .....	D21/578
D825,010 S *	8/2018	Osentoski .....	D21/578
D825,011 S *	8/2018	Wang .....	D21/578
D830,438 S *	10/2018	Haddadin .....	D15/199

\* cited by examiner

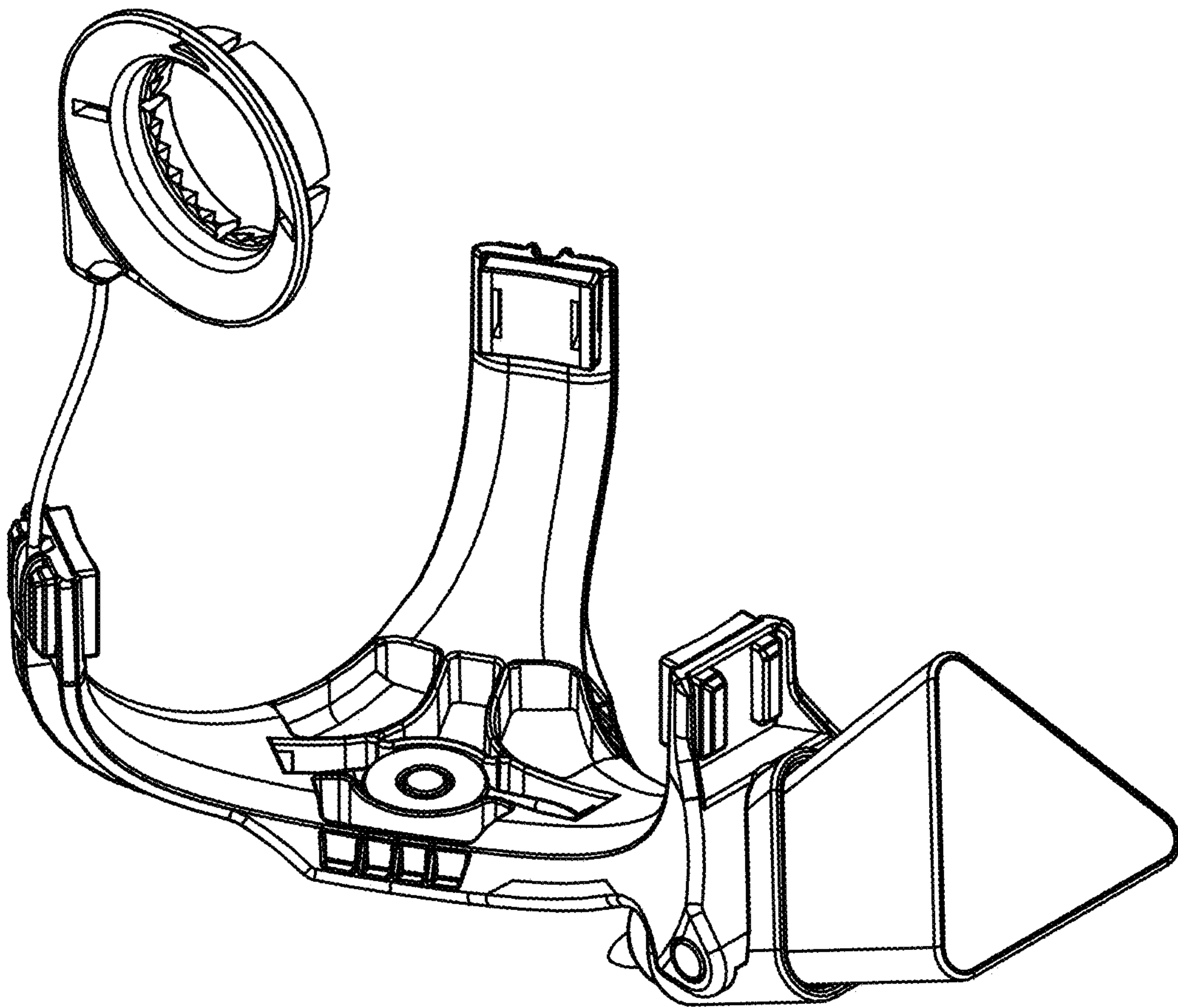


FIGURE 1

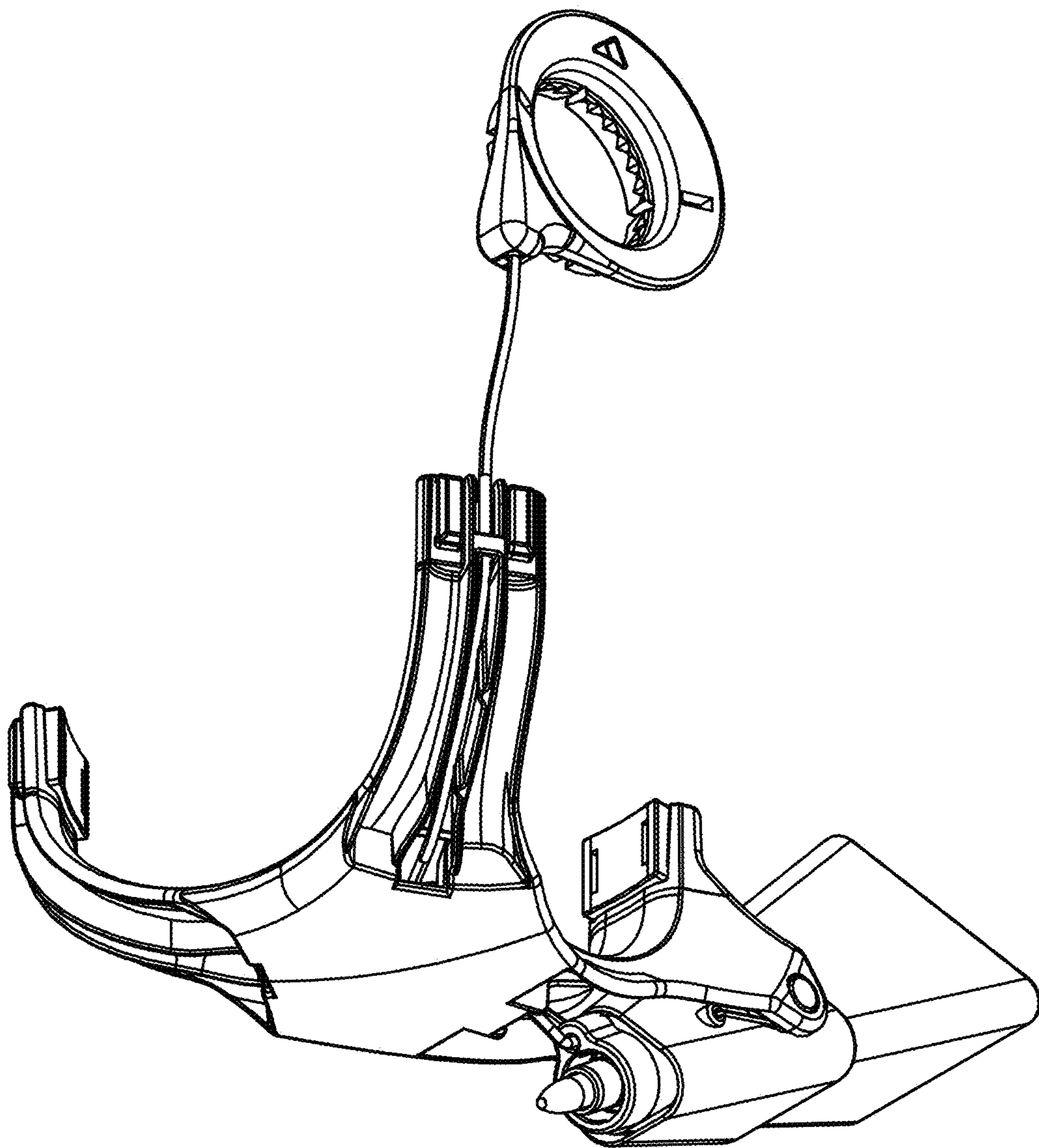


FIGURE 2



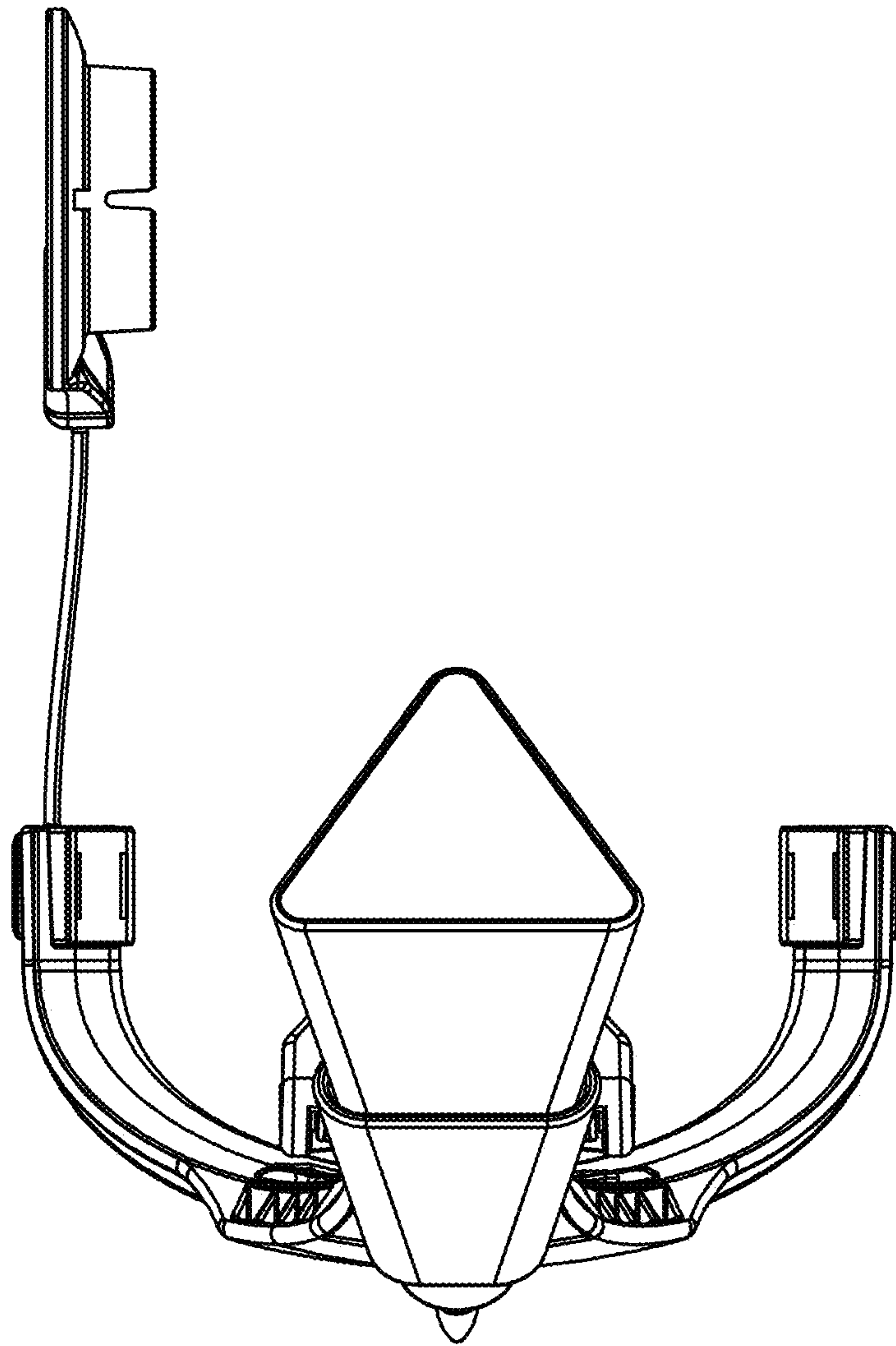


FIGURE 3

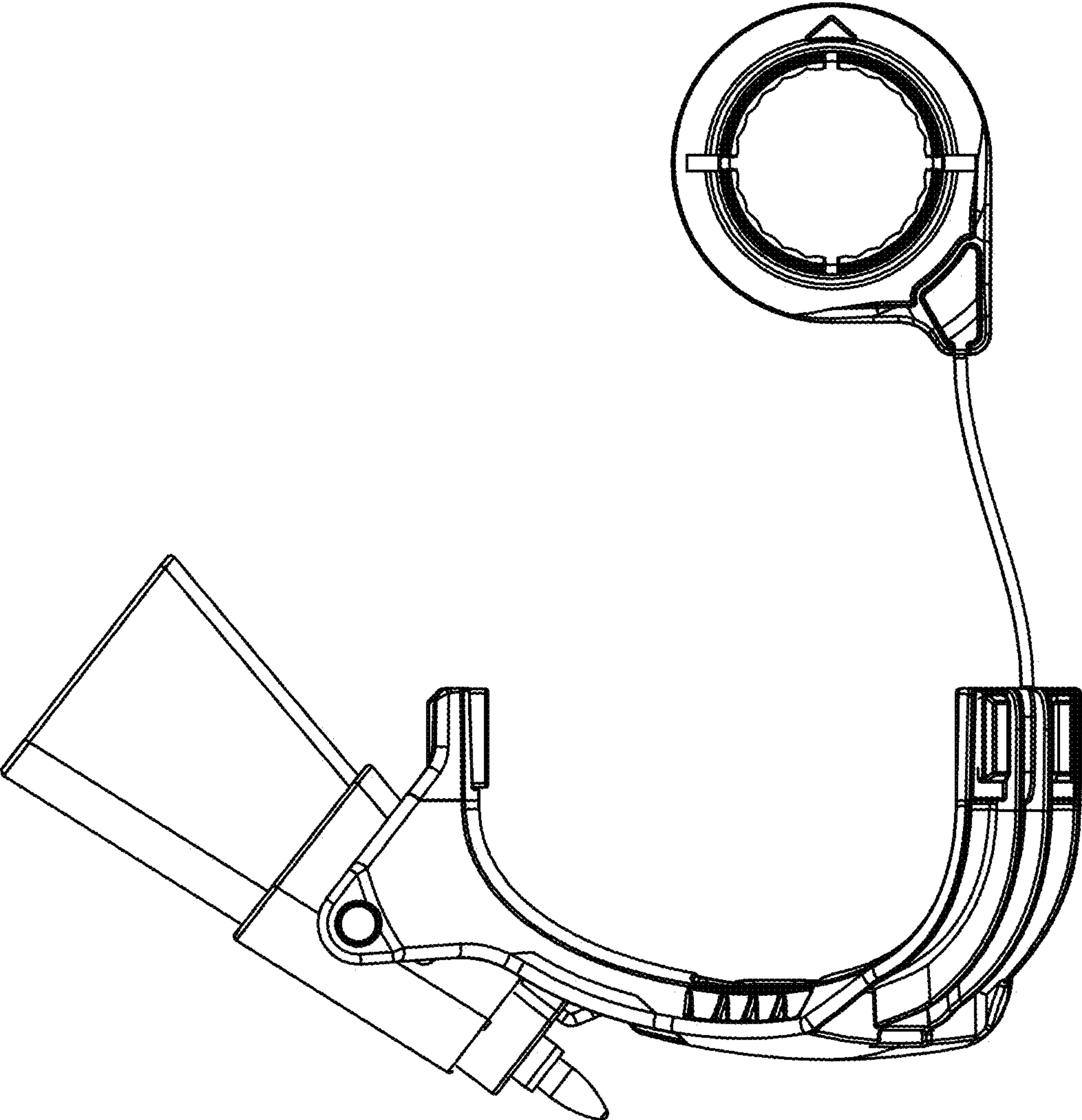


FIGURE 4

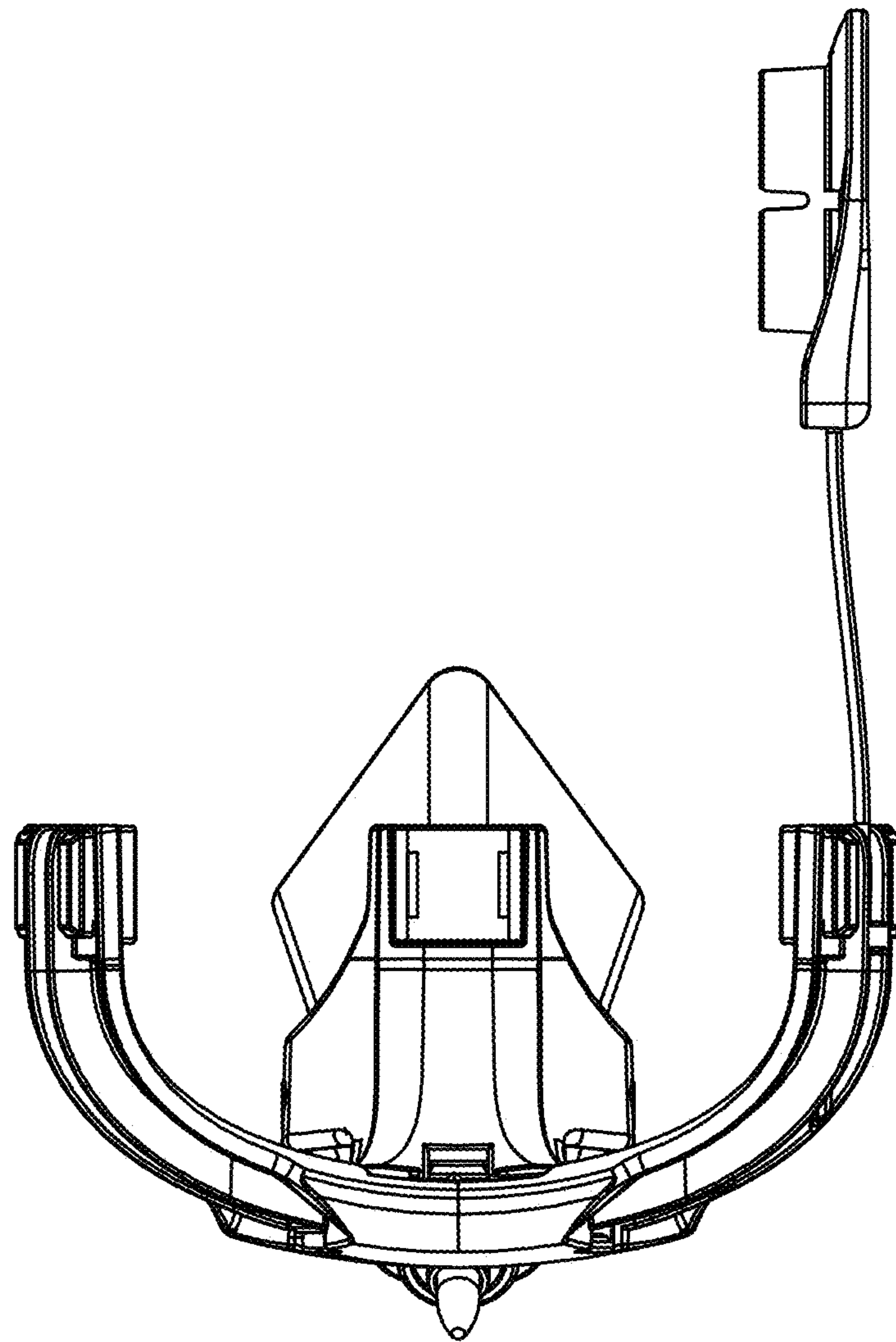


FIGURE 5

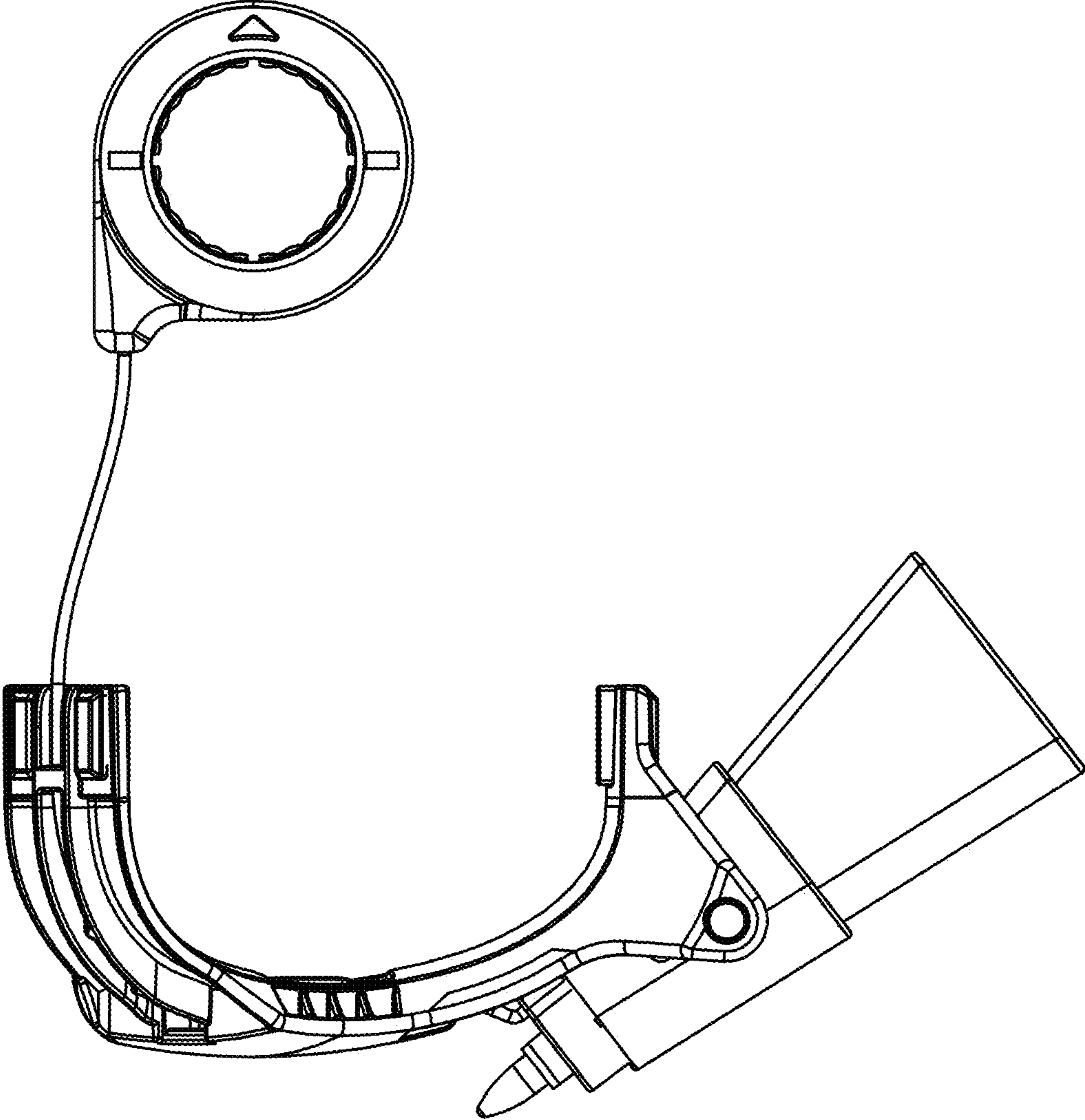


FIGURE 6



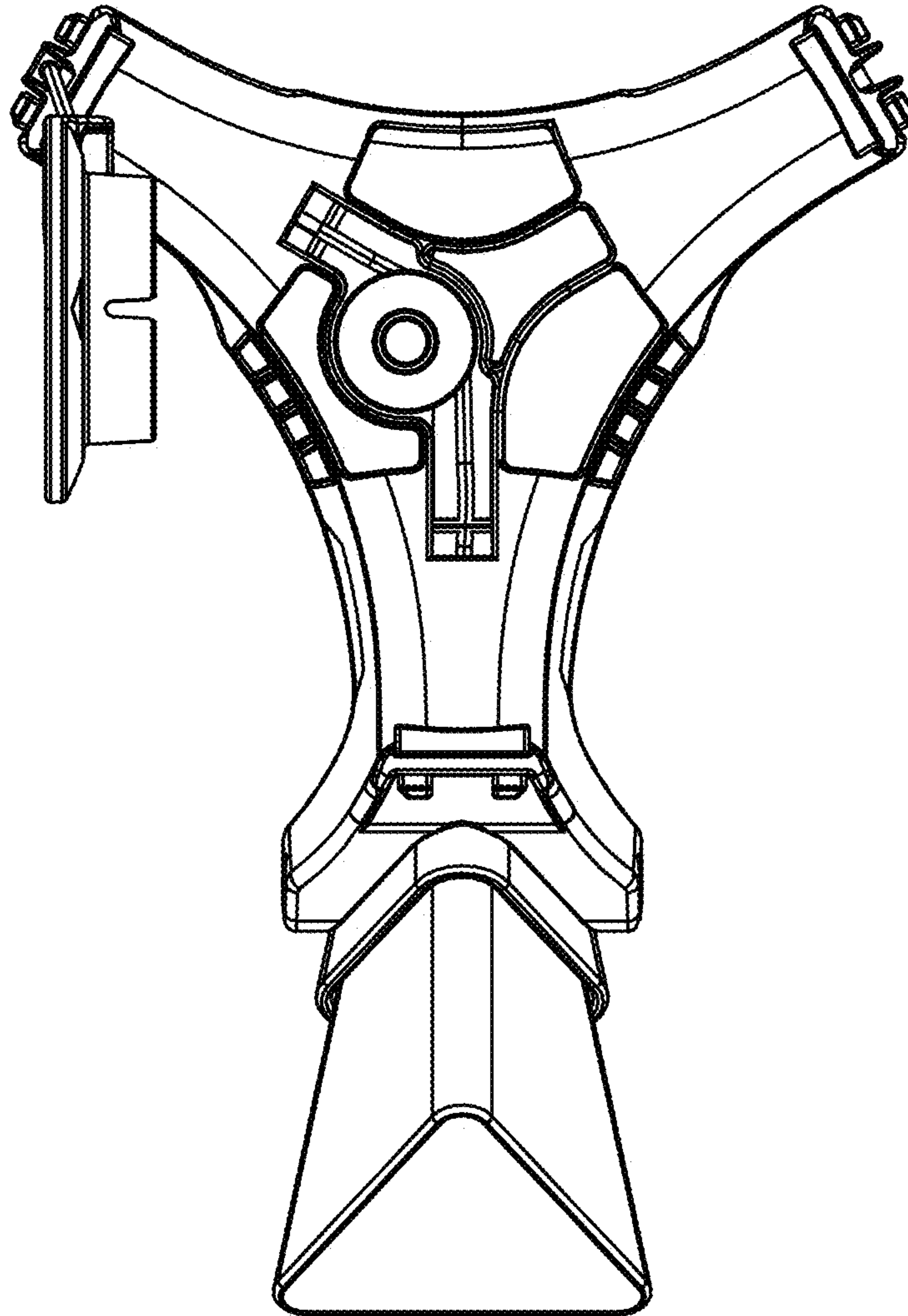


FIGURE 7

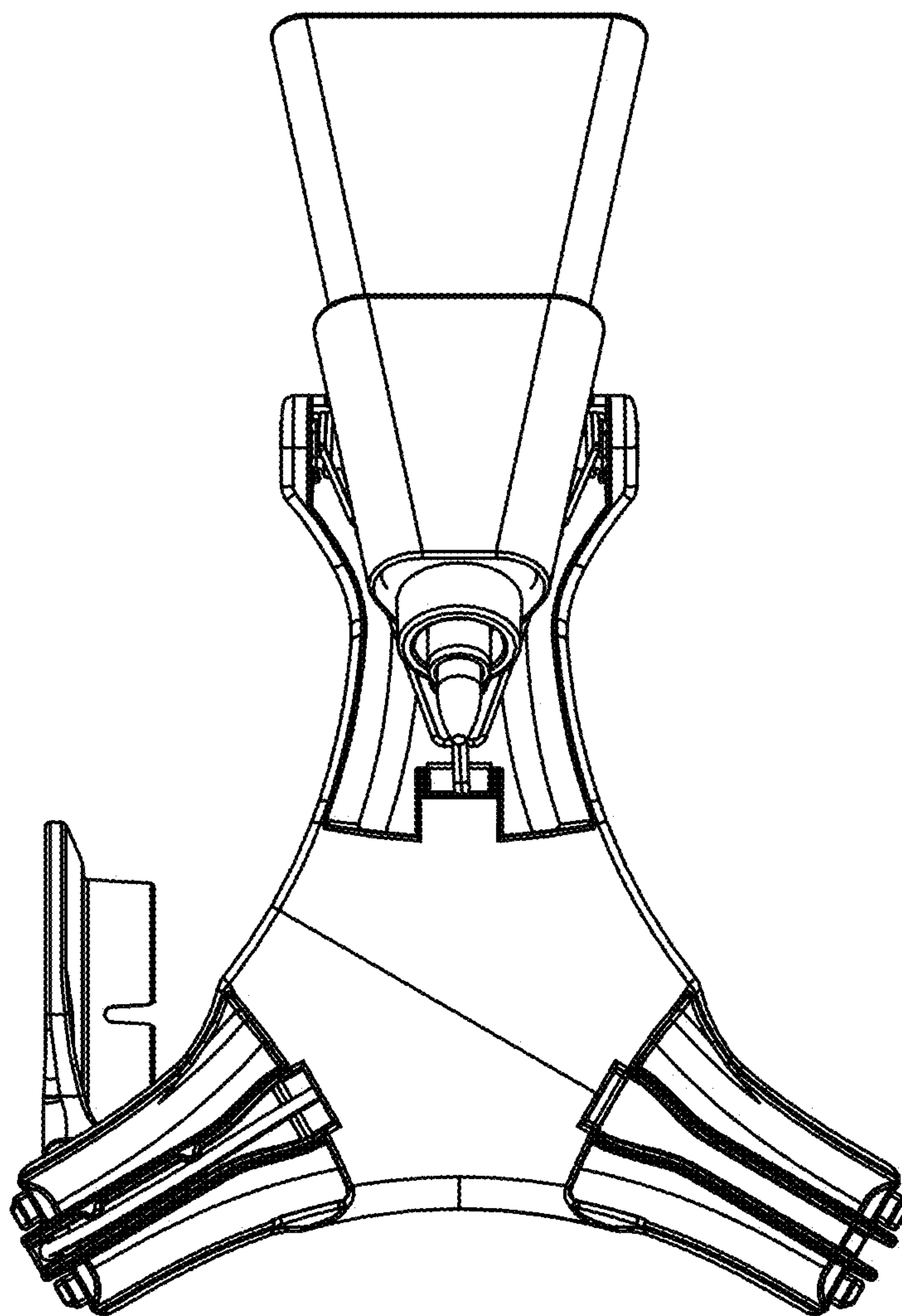


FIGURE 8

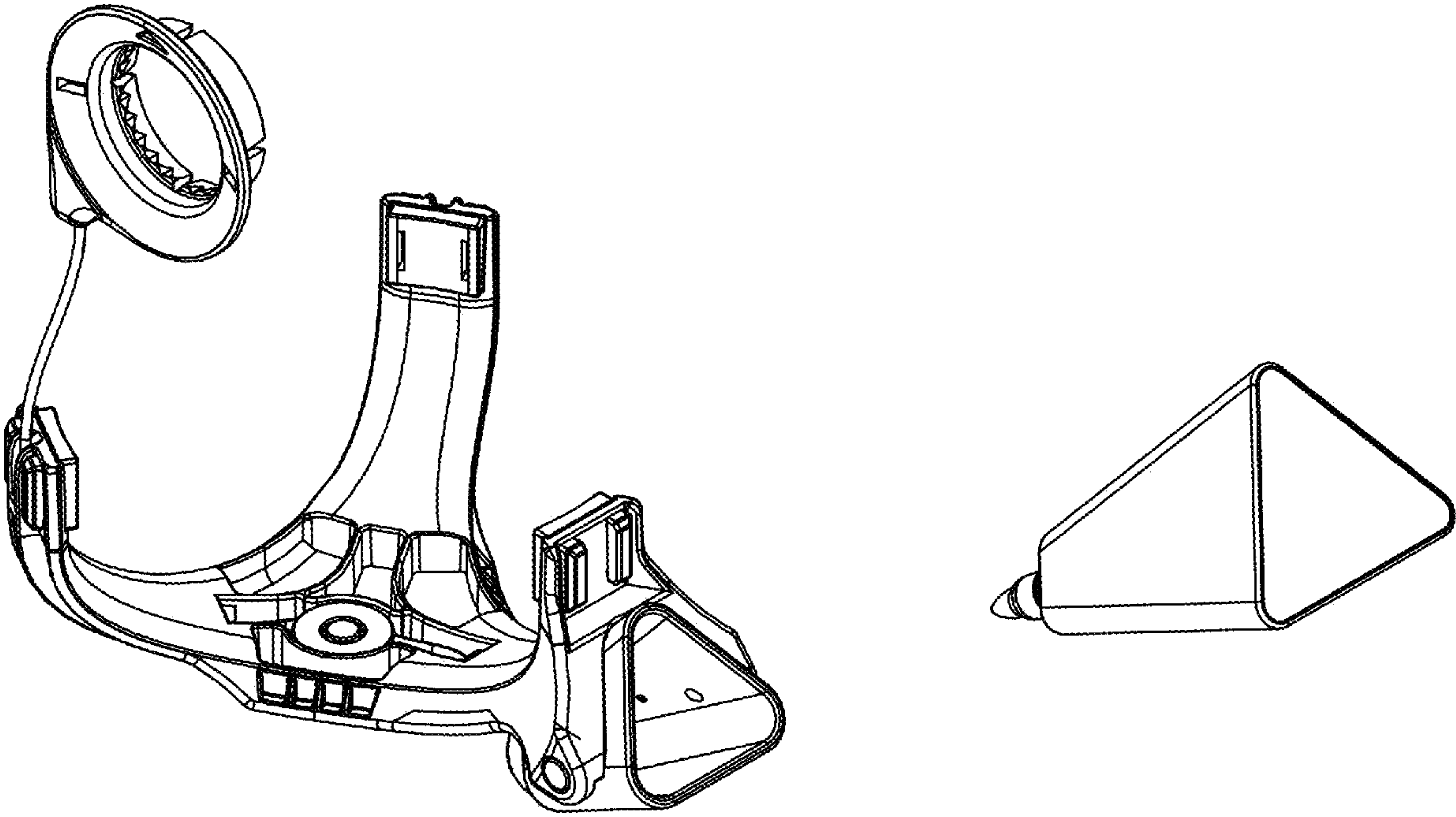


FIGURE 9

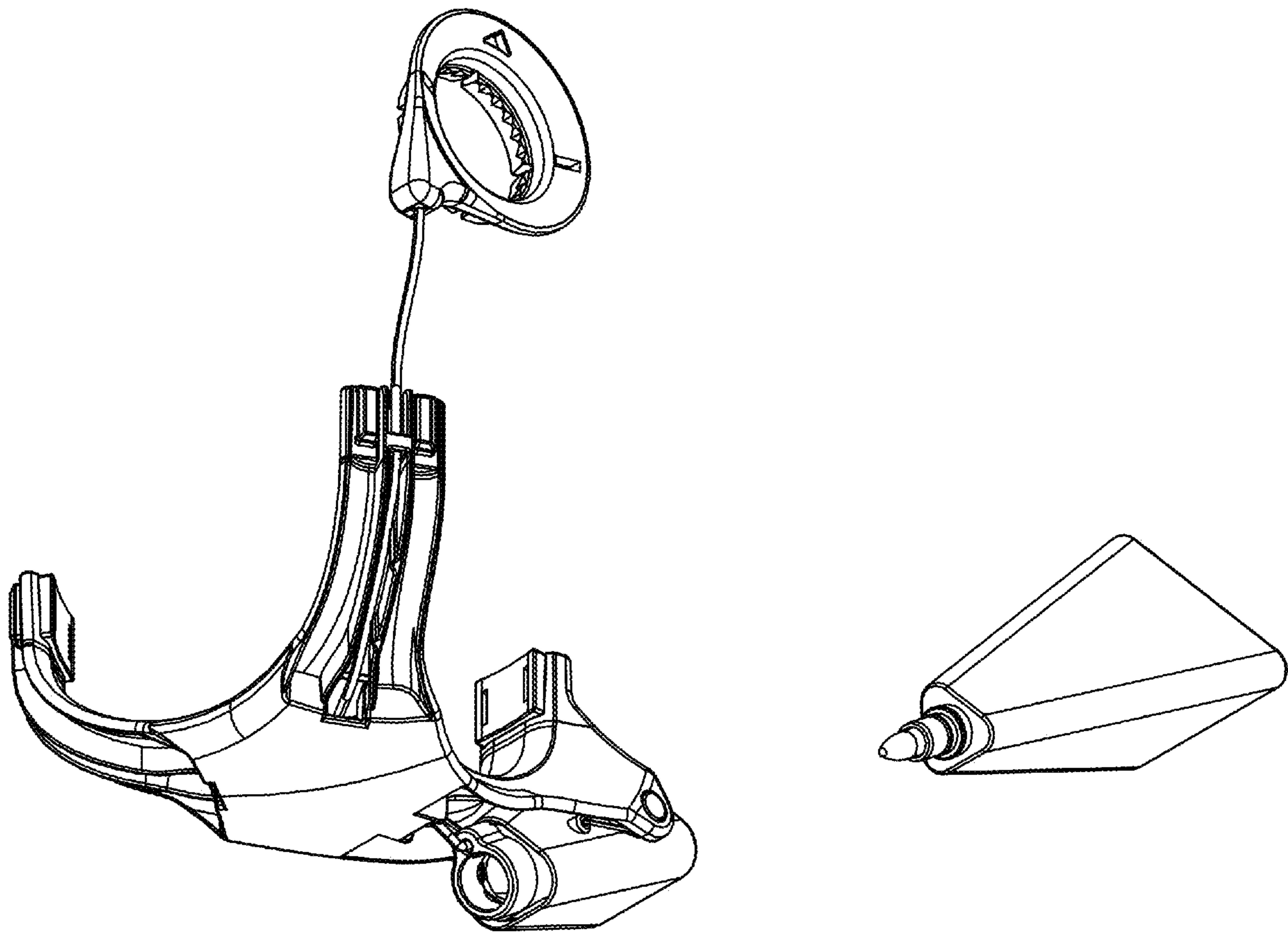


FIGURE 10

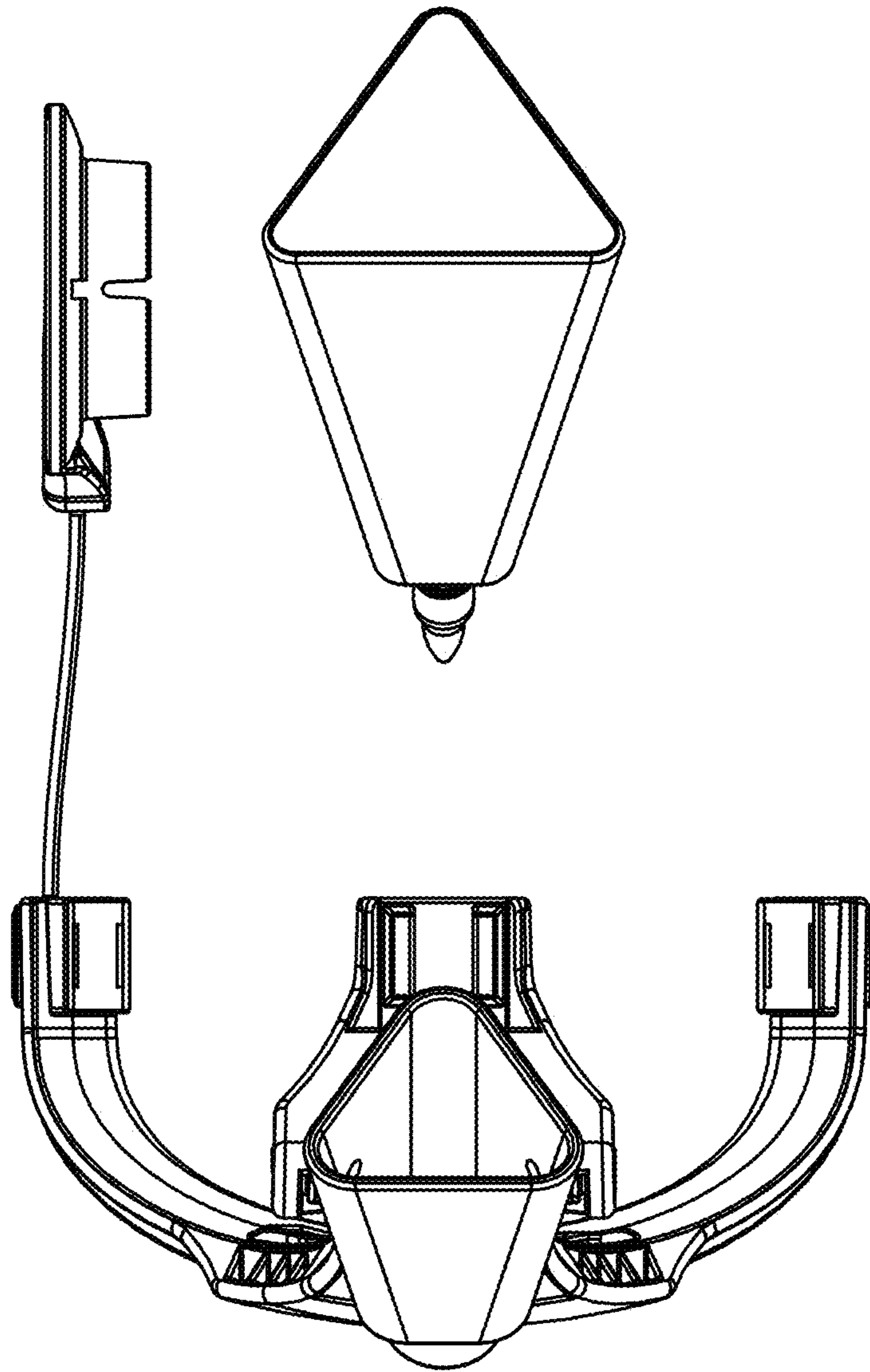


FIGURE 11



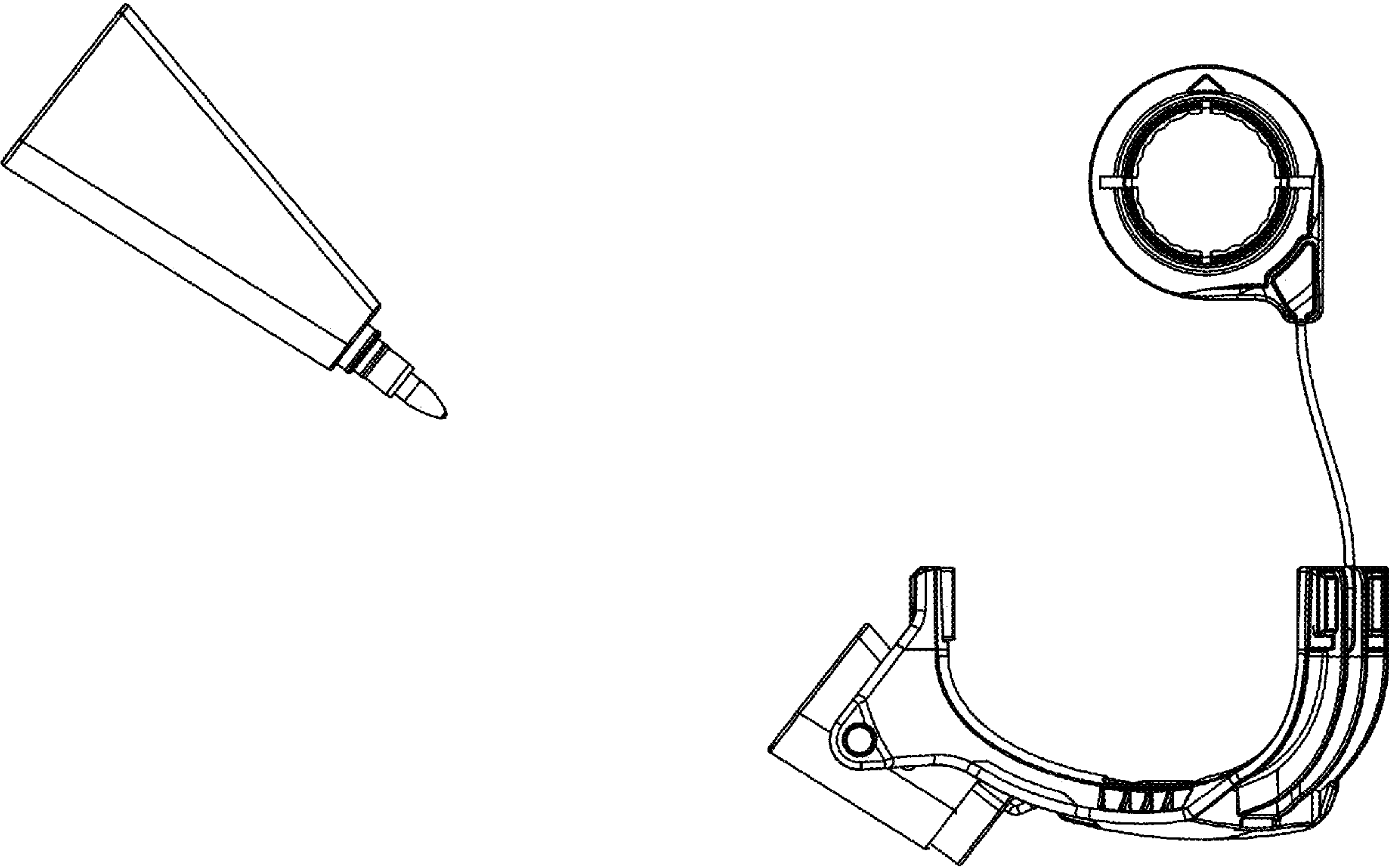


FIGURE 12

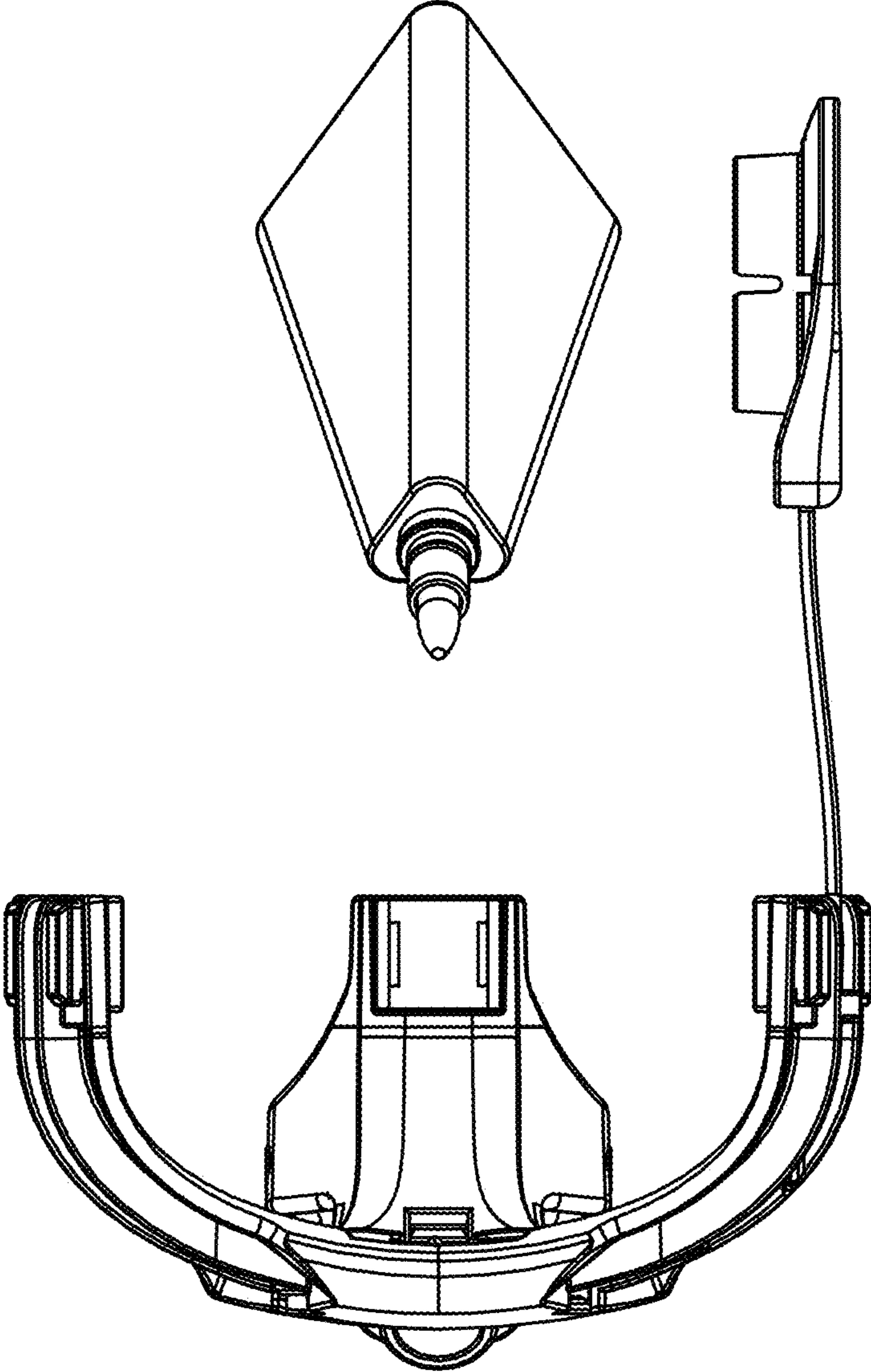


FIGURE 13

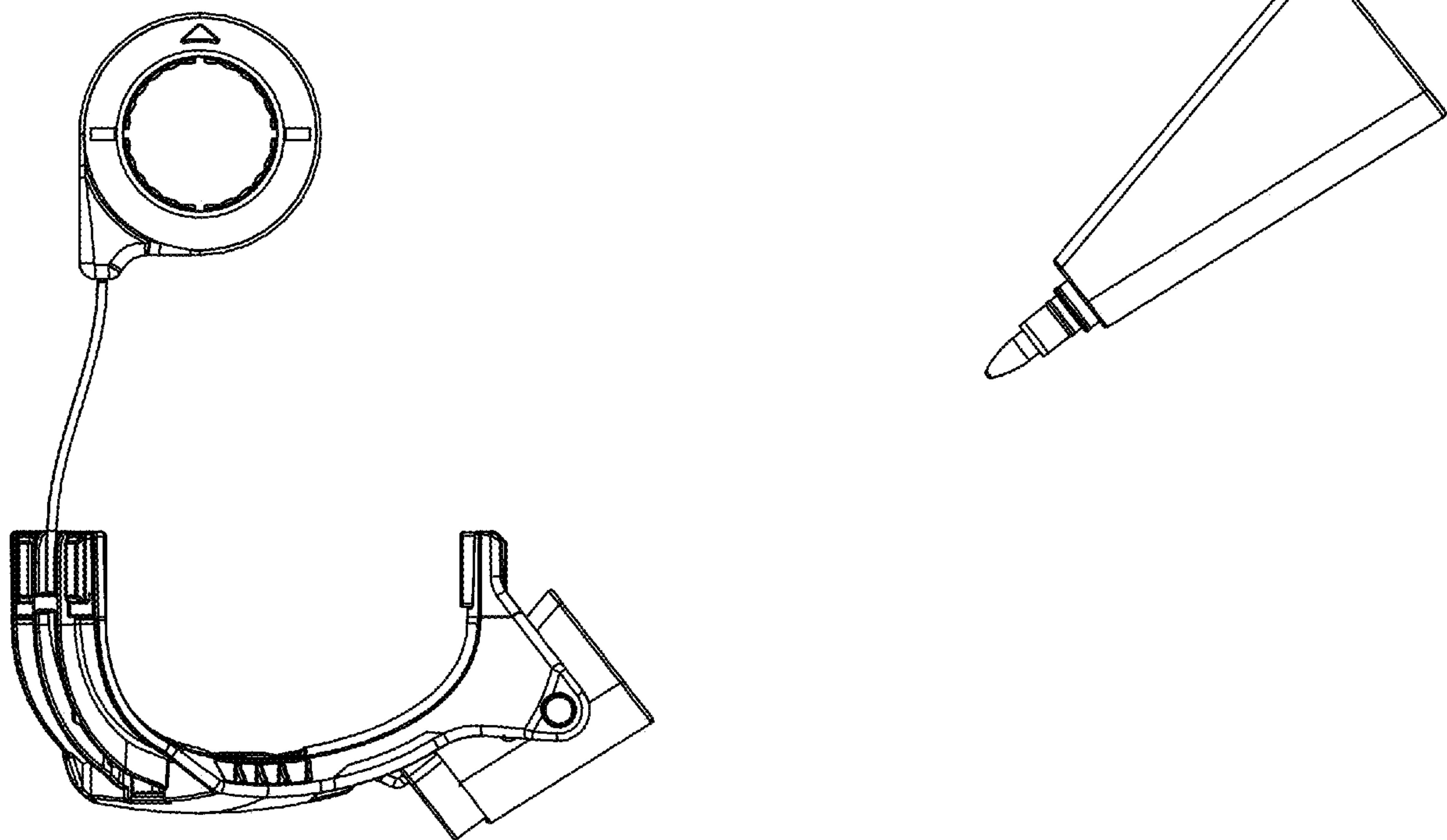


FIGURE 14

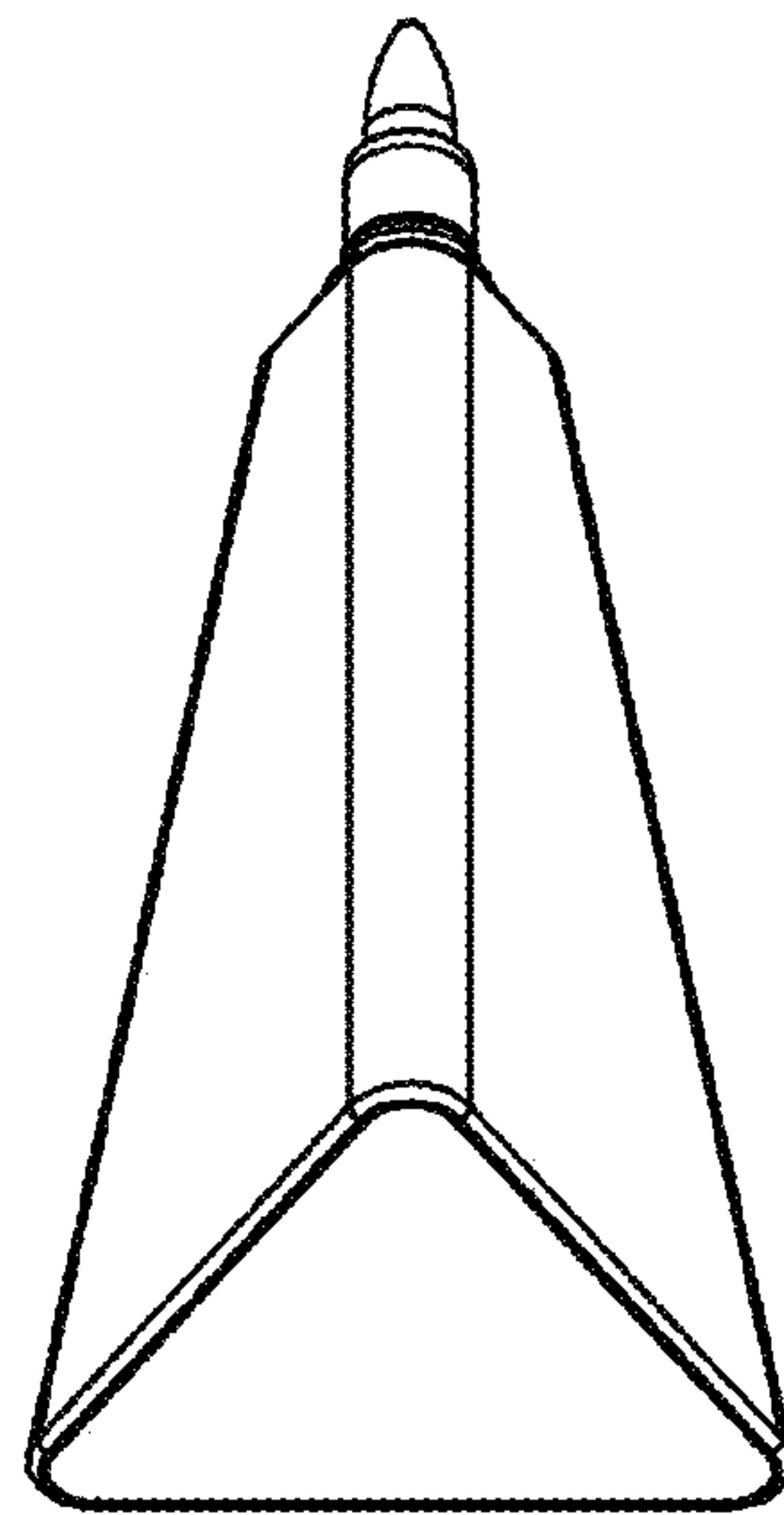
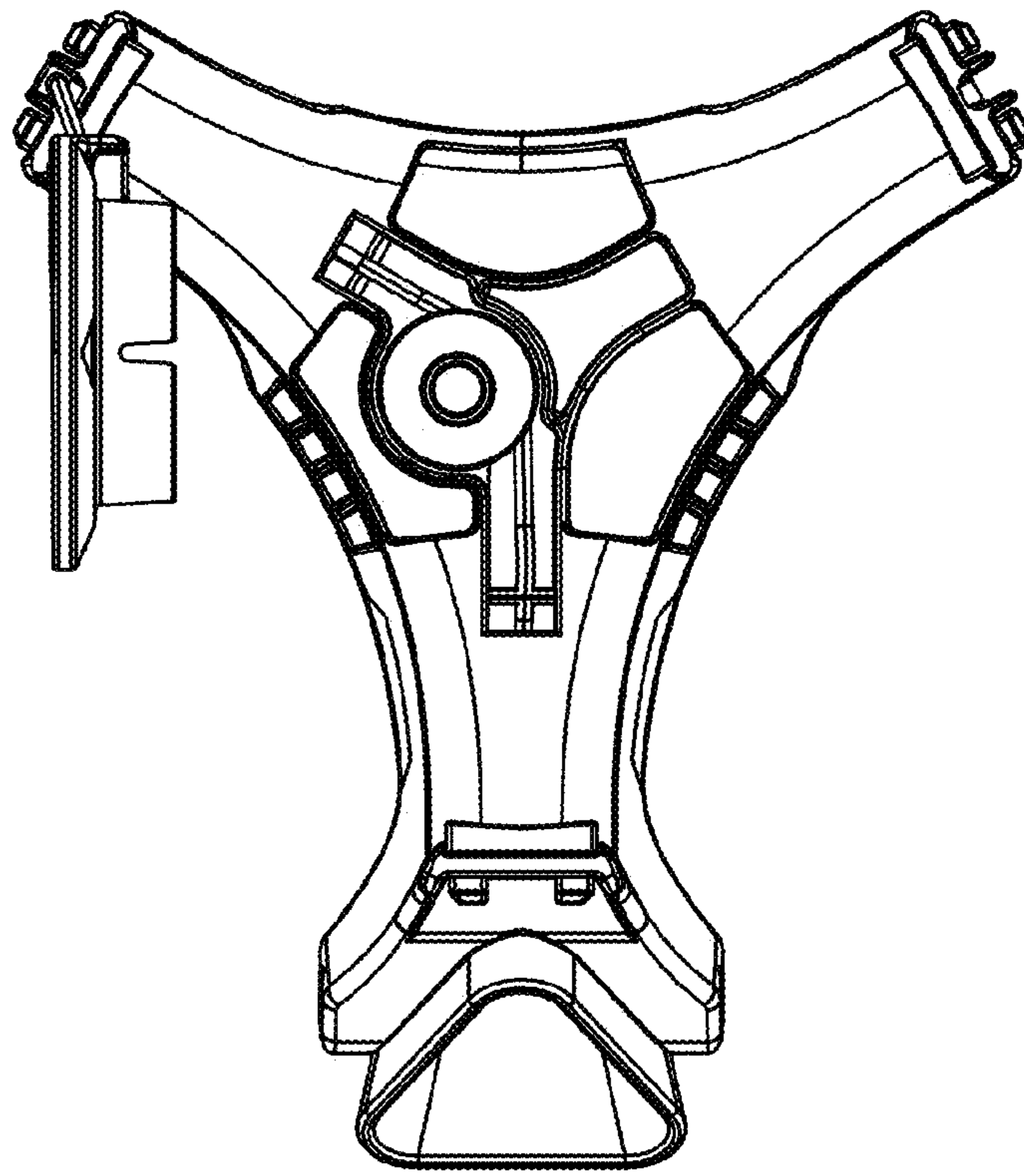


FIGURE 15

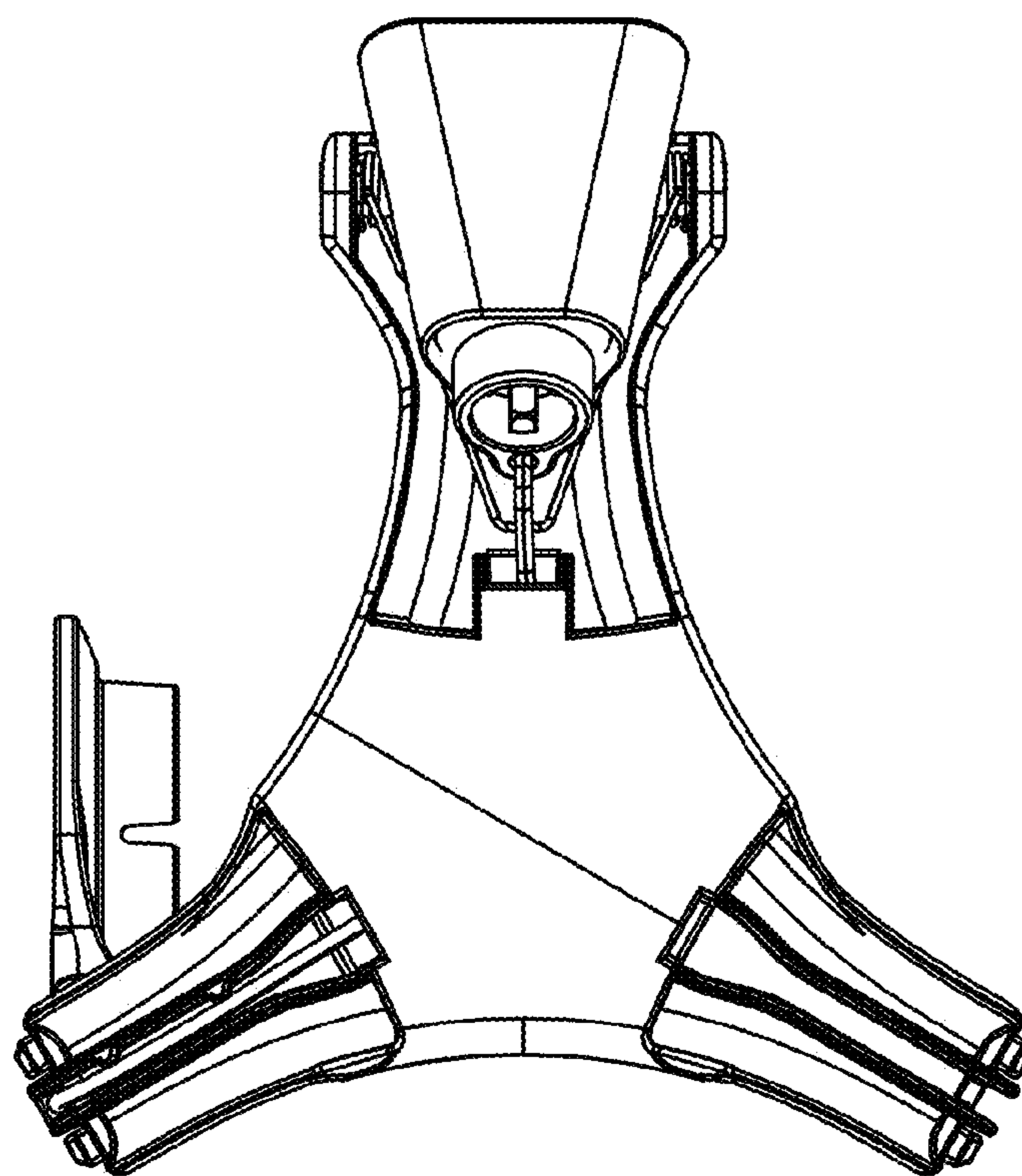
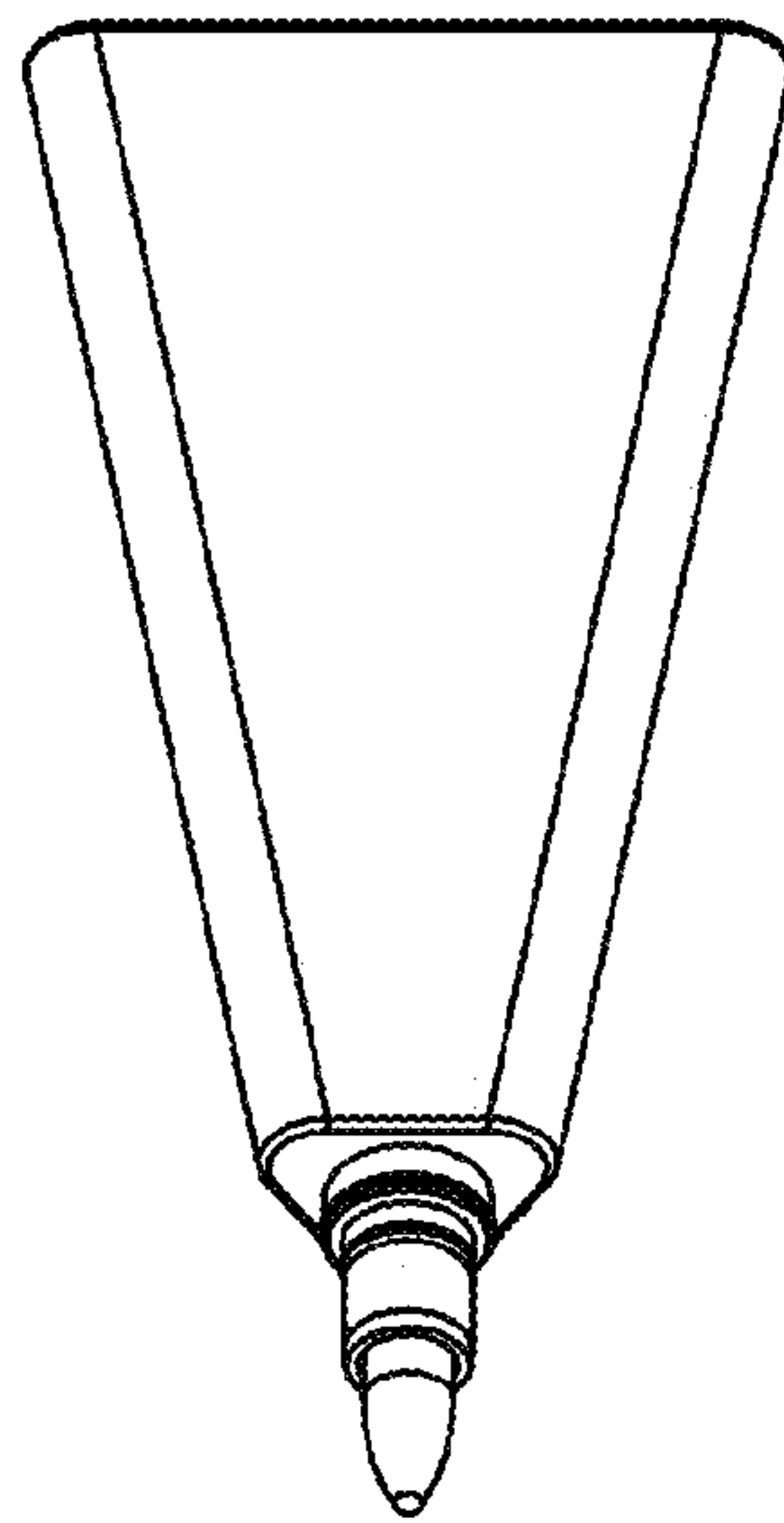


FIGURE 16



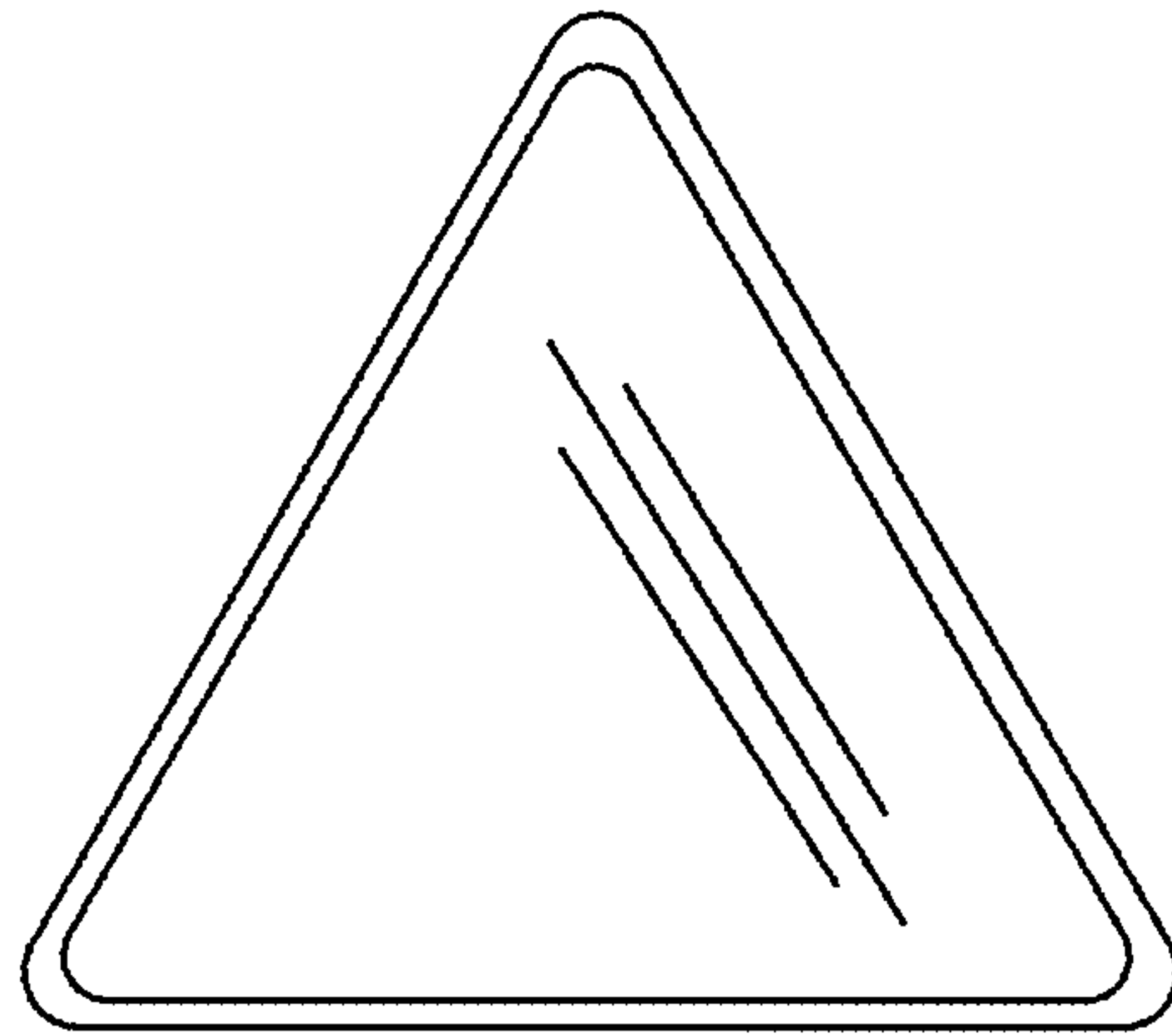


FIGURE 17

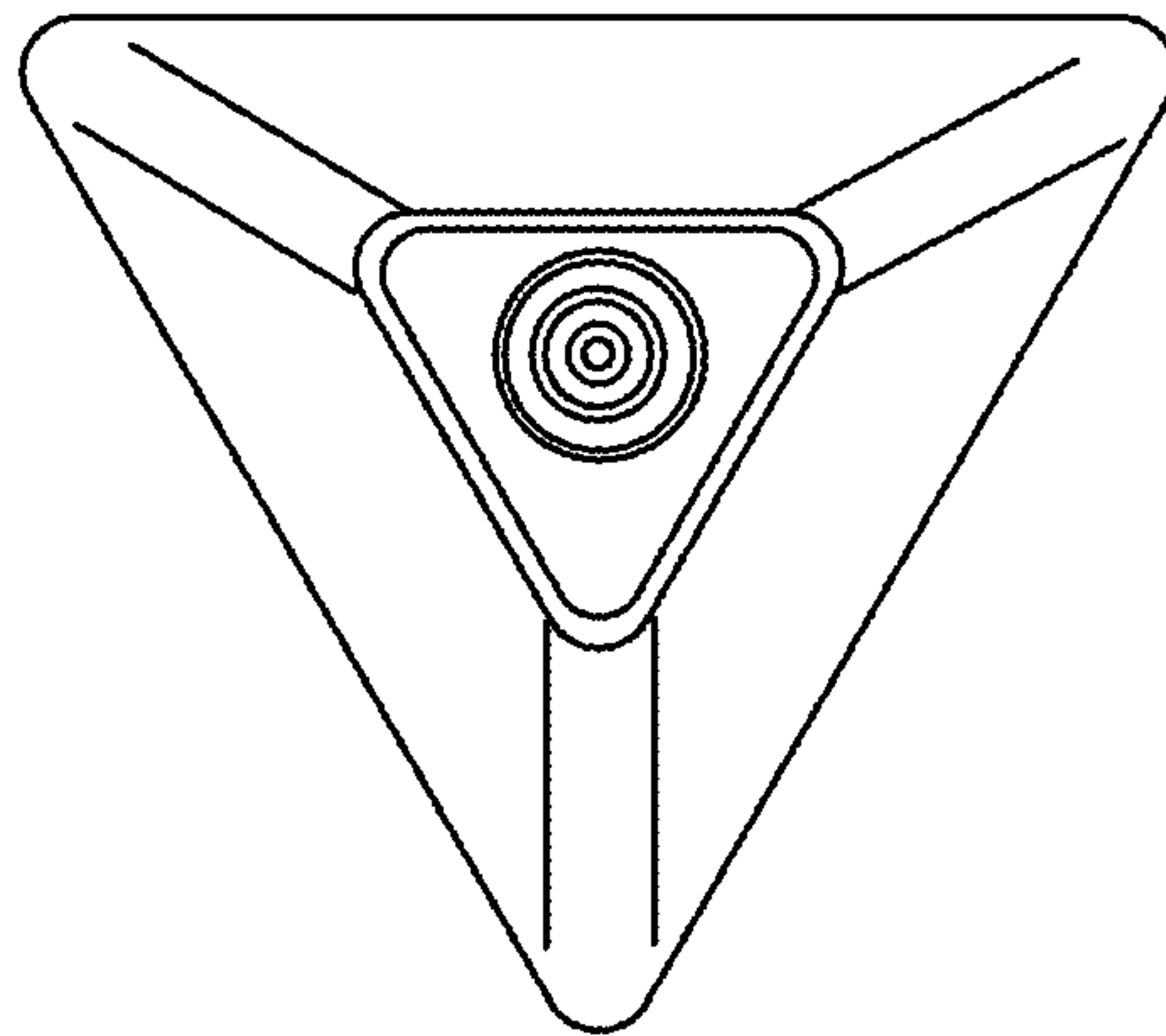


FIGURE 18