



US00D872193S

(12) **United States Design Patent**
Lewis

(10) **Patent No.:** **US D872,193 S**
(45) **Date of Patent:** **** Jan. 7, 2020**

- (54) **SLOT FOR TOY BRICKS**
- (71) Applicant: **Stephen Lewis**, New York, NJ (US)
- (72) Inventor: **Stephen Lewis**, New York, NJ (US)
- (**) Term: **15 Years**
- (21) Appl. No.: **29/588,520**
- (22) Filed: **Dec. 21, 2016**
- (51) **LOC (12) Cl.** **21-01**
- (52) **U.S. Cl.**
USPC **D21/484**
- (58) **Field of Classification Search**
USPC D21/484-505; D25/113, 114, 115, 118,
D25/119
CPC A63H 33/08; A63H 33/084; A63H 33/086;
A63H 33/088; A63H 33/105; A63H 33/12
See application file for complete search history.

(56) **References Cited**

U.S. PATENT DOCUMENTS

D30,550 S *	4/1899	Camp	D25/115
1,288,226 A *	12/1918	Schrader	A63H 33/105 446/122
3,456,413 A *	7/1969	Fischer	A63H 33/082 446/125
3,660,928 A *	5/1972	Michel	A63H 33/084 446/124
4,176,505 A *	12/1979	Fischer	A63H 33/04 52/578
D319,885 S *	9/1991	Blomquist	D25/113
D333,355 S *	2/1993	Adams	D25/118
D367,086 S *	2/1996	Chesler	D21/484
5,605,486 A *	2/1997	Zheng	A63F 9/12 273/156
5,827,104 A *	10/1998	Zheng	A63F 9/12 446/114
D437,622 S *	2/2001	Chang	D21/501
D441,464 S *	5/2001	Pribyl	D25/118

8,435,095 B1 *	5/2013	Abbas	A63H 33/105 446/122
D702,772 S	4/2014	Jensen		
D707,756 S	6/2014	Jensen		
D713,474 S	9/2014	Roberson et al.		
D714,401 S	9/2014	Lin		
D717,379 S	11/2014	Deutsch et al.		

(Continued)

Primary Examiner — Cynthia M. Chin
(74) *Attorney, Agent, or Firm* — Gearhart Law, LLC

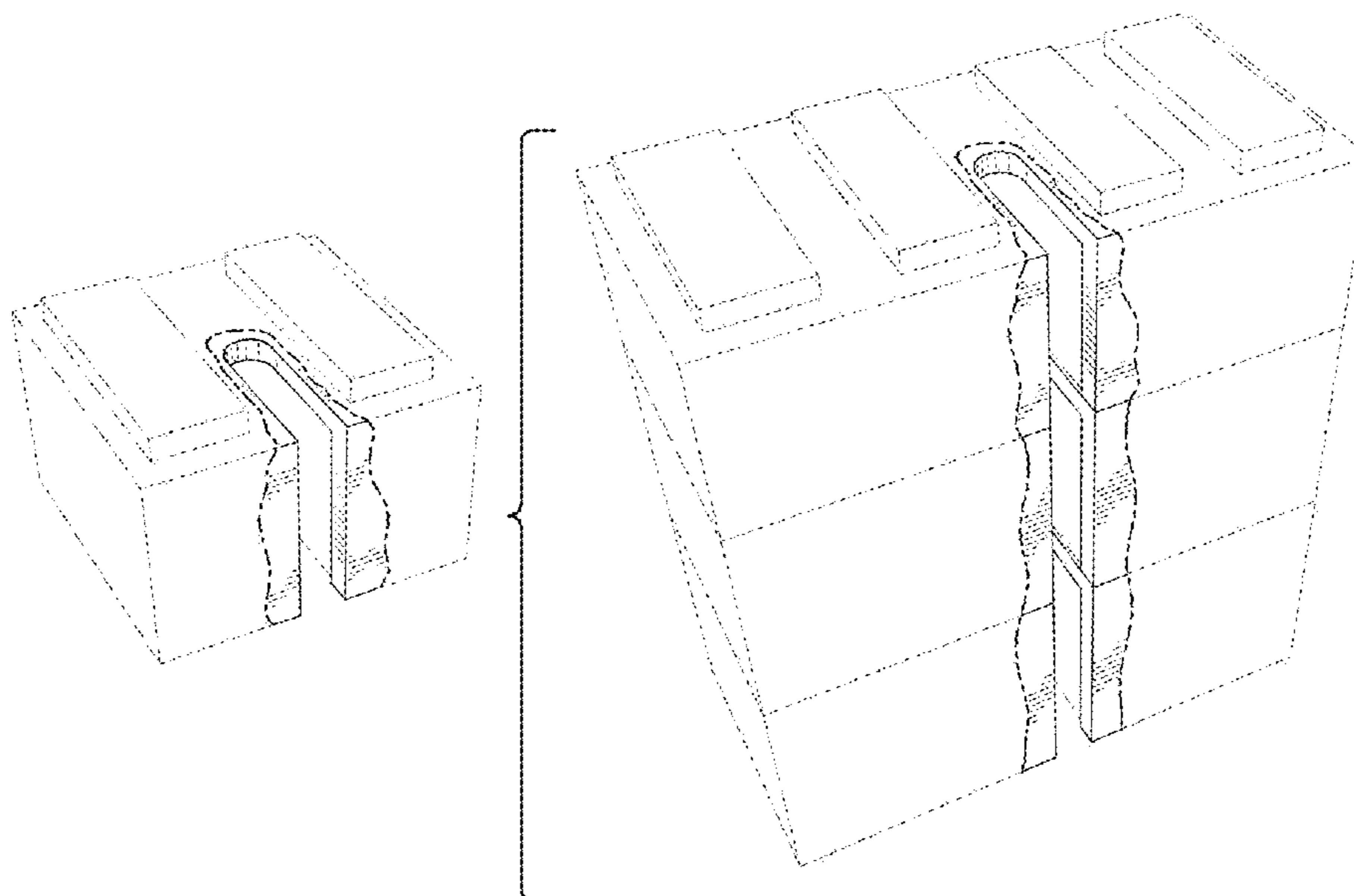
(57) **CLAIM**

I claim the ornamental design for a slot for toy bricks, as shown and described.

DESCRIPTION

FIG. 1 is a perspective view of a slot for toy bricks.
 FIG. 2 is a front view of the present invention as shown FIG. 1.
 FIG. 3 is a top view of the present invention as shown in FIG. 1.
 FIG. 4 is a bottom view of the present invention as shown in FIG. 1.
 FIG. 5 is a perspective view of a slot design in a plurality of toy bricks.
 FIG. 6 is a front view of the present invention as shown in FIG. 5.
 FIG. 7 is a top view of the present invention as shown in FIG. 5.
 FIG. 8 is a bottom view of the present invention as shown in FIG. 5; and,
 FIG. 9 is a perspective view of the present invention as shown in FIG. 5 with a plurality of wires inserted into the slot design as intended.
 The dash-dot broken lines immediately adjacent the shaded areas represent the bounds of the claim and all other broken lines represent the environment in which the article resides. None of the broken lines form a part of the claimed design.

1 Claim, 9 Drawing Sheets



(56)

References Cited

U.S. PATENT DOCUMENTS

D728,696	S	5/2015	Nowak	
D740,893	S	10/2015	Simonds et al.	
D741,414	S	10/2015	Lu	
D745,934	S	12/2015	Casarez et al.	
D748,204	S	1/2016	Simonds et al.	
D748,741	S	2/2016	Simonds et al.	
D748,742	S	2/2016	Simonds et al.	
D749,680	S	2/2016	Lin	
D754,260	S	4/2016	Chen et al.	
D754,262	S	4/2016	Kaplan	
D755,901	S	5/2016	Chen et al.	
D755,902	S	5/2016	Chen et al.	
D755,903	S	5/2016	Chen et al.	
D757,861	S	5/2016	Ryaa	
D757,862	S	5/2016	Ryaa	
D762,268	S	7/2016	Berglund et al.	
D763,972	S	8/2016	Kiribuchi	
D765,189	S	8/2016	Kiribuchi	
D765,797	S	9/2016	Banik	
D792,607	S *	7/2017	Penterman	D25/113
D812,780	S *	3/2018	Saunders	D25/113
D820,359	S *	6/2018	Deemer	D21/484
D832,365	S *	10/2018	Williams	D21/484
2007/0123137	A1 *	5/2007	Marzetta	A63H 33/105 446/120
2010/0093257	A1 *	4/2010	Elliott	A47B 3/06 446/478
2010/0170174	A1 *	7/2010	Wangdak	A47B 47/042 52/270
2013/0137339	A1 *	5/2013	Tong	A63H 33/062 446/85
2016/0317939	A1 *	11/2016	Fernandez	A63H 33/084
2017/0121973	A1 *	5/2017	Brandao	A63H 33/084
2017/0203226	A1 *	7/2017	Dorasamy	A63H 33/086

* cited by examiner

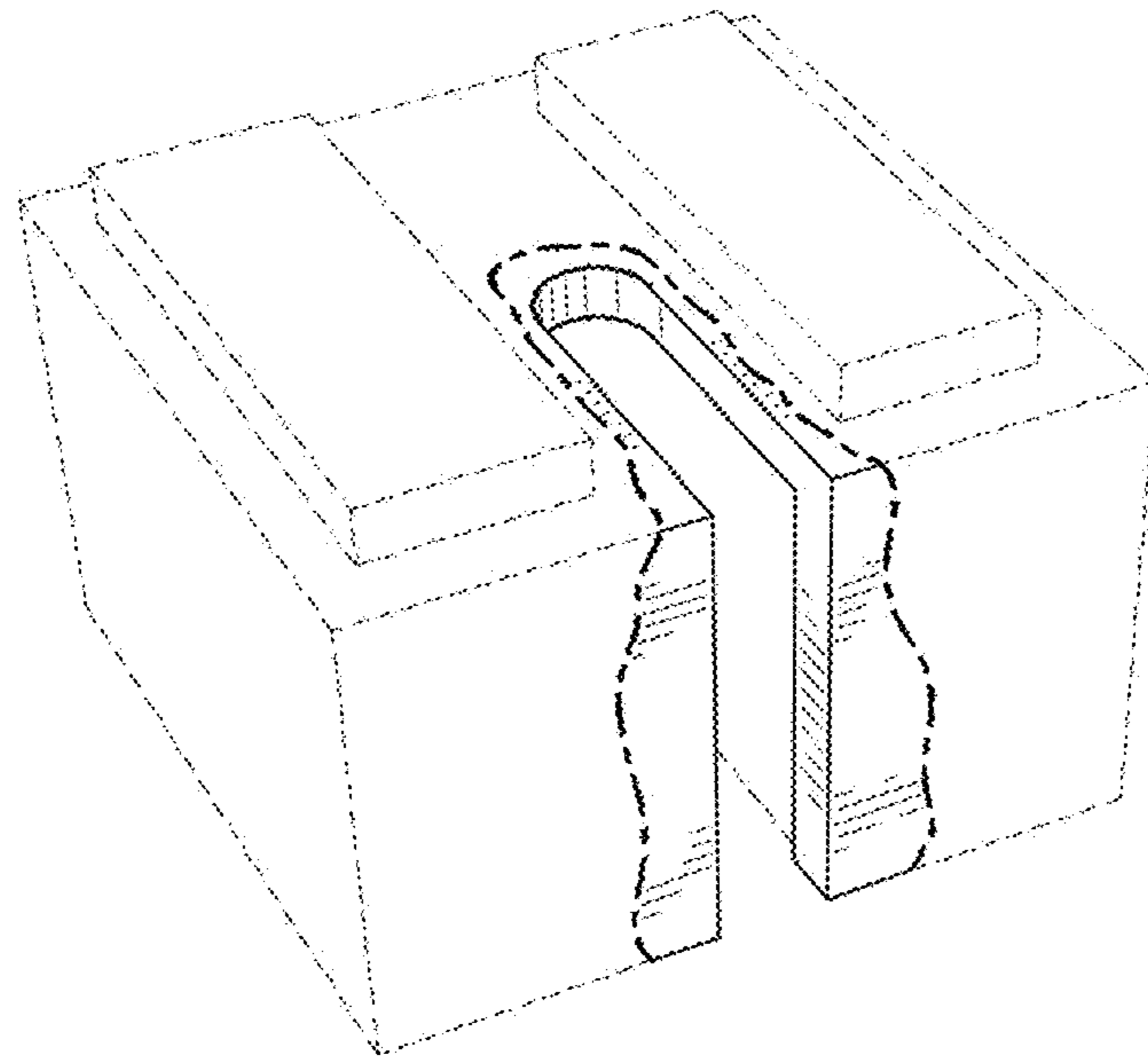


FIG. 1

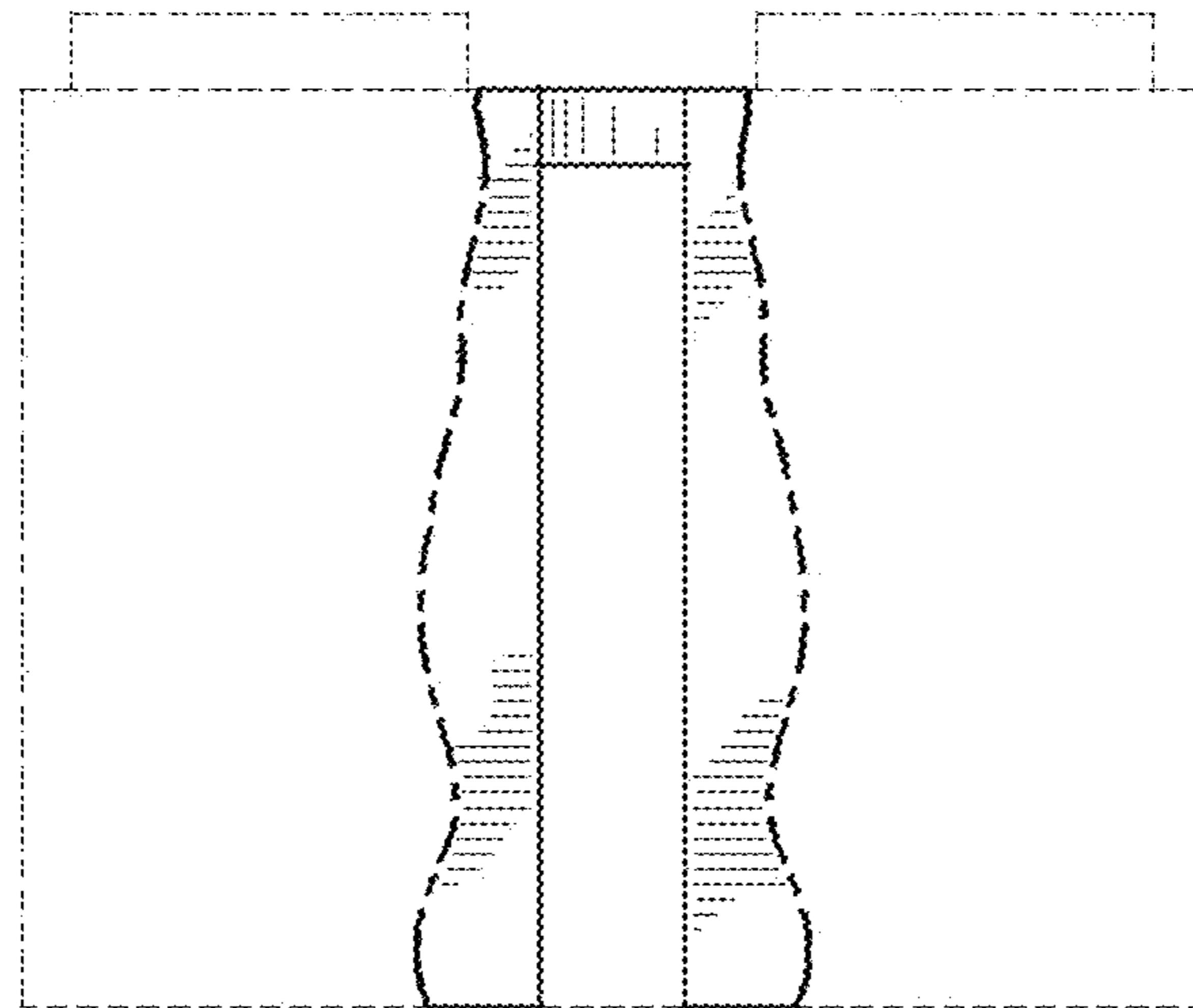


FIG. 2

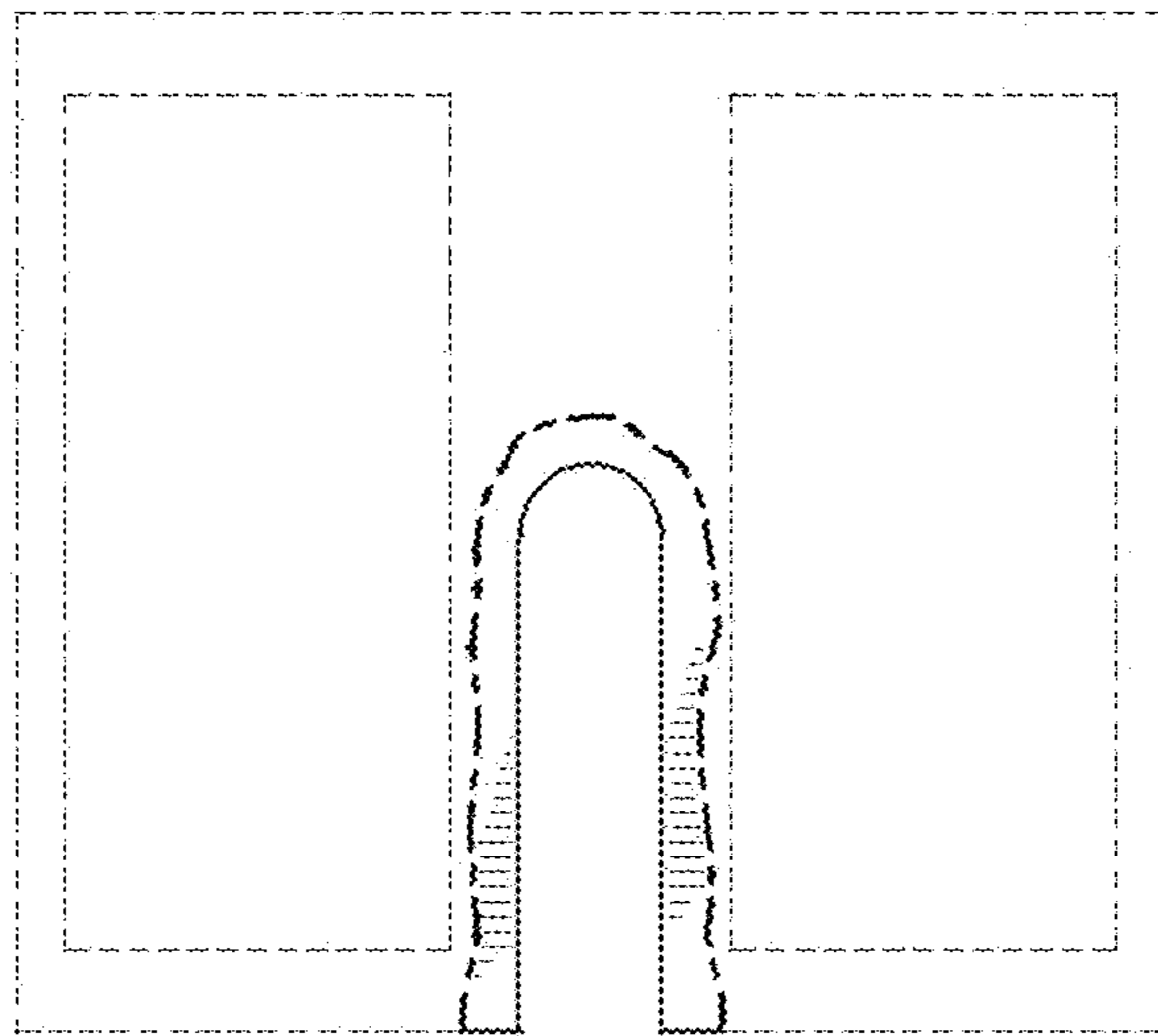


FIG. 3

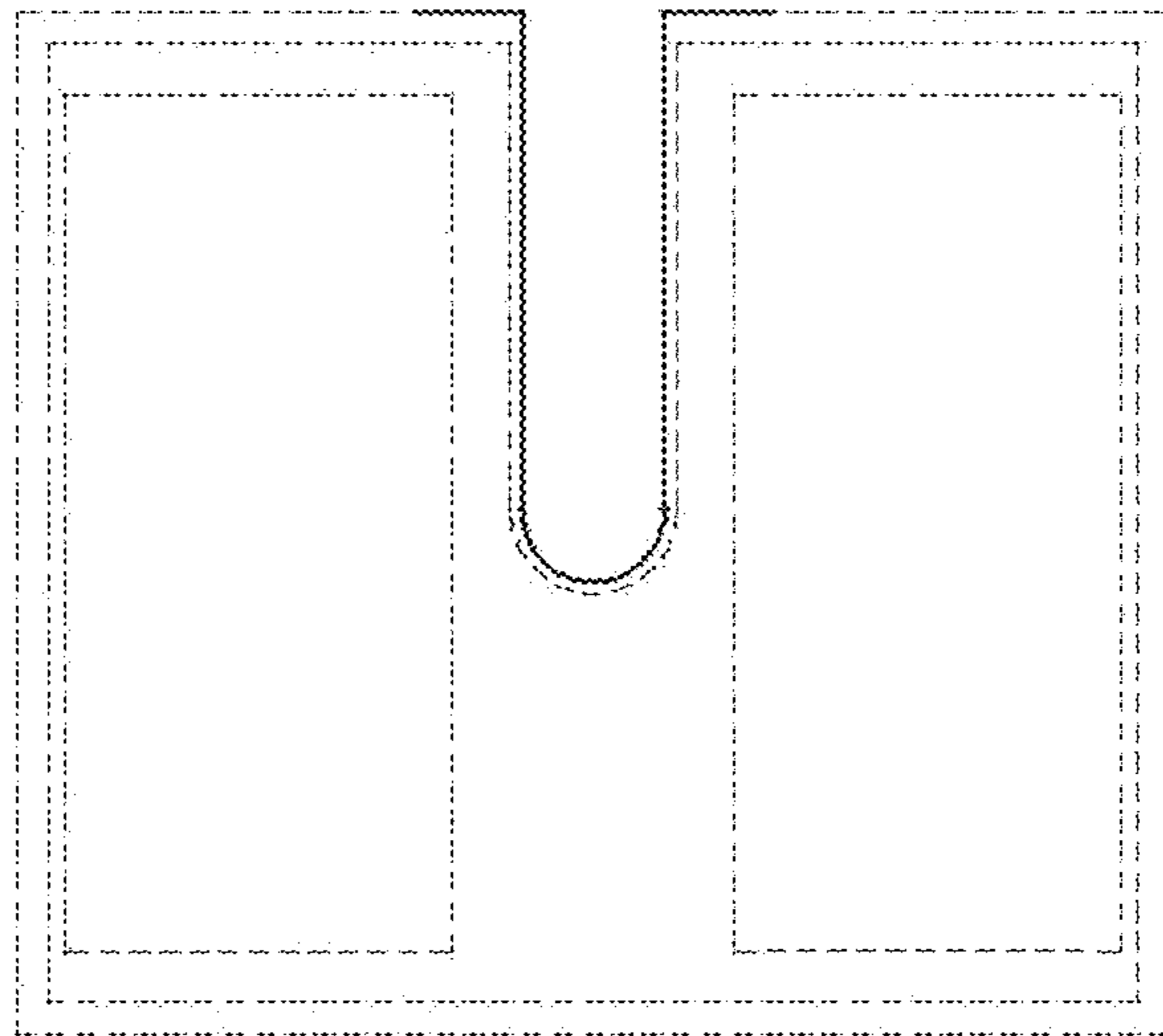


FIG. 4

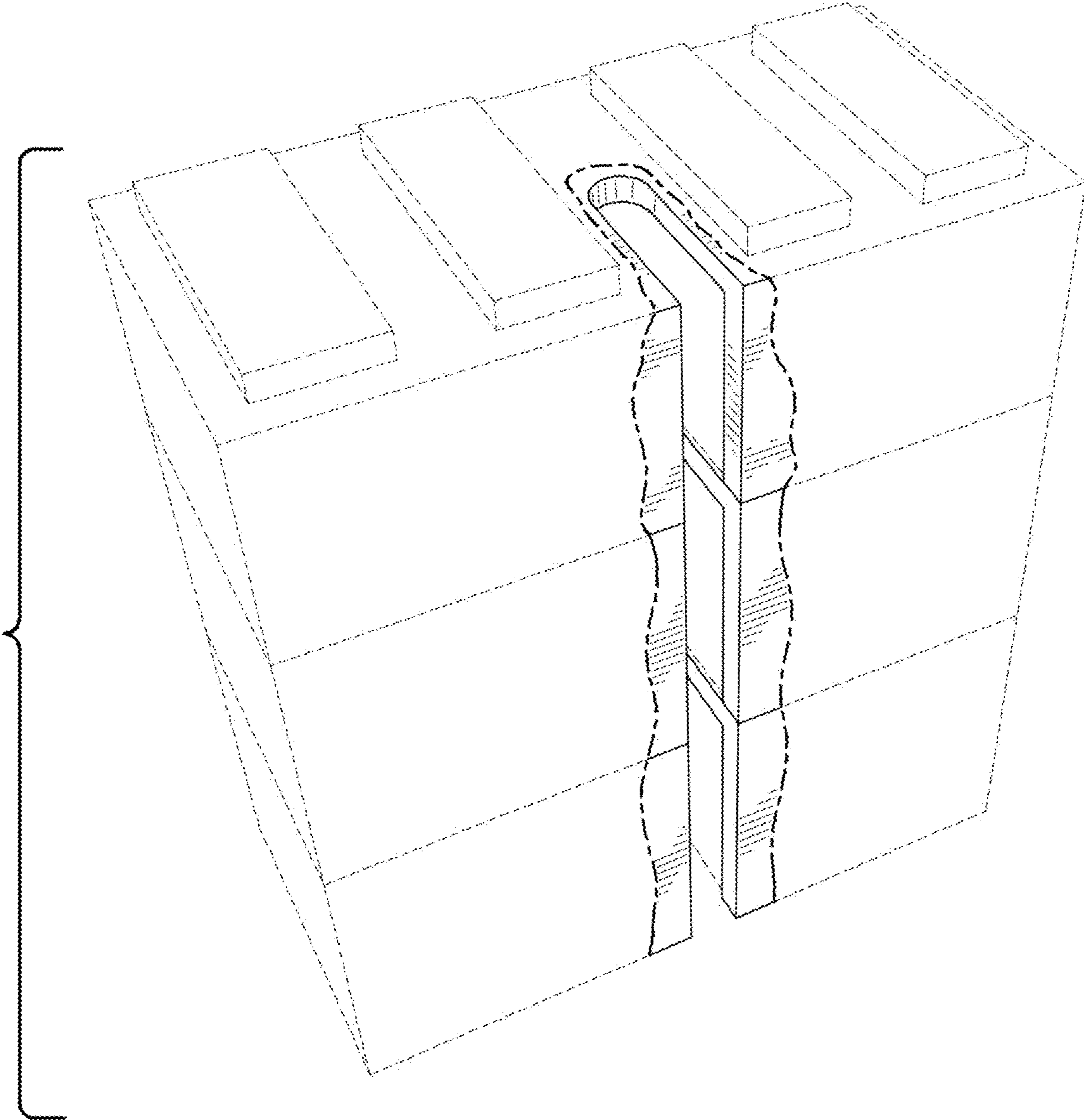


FIG. 5

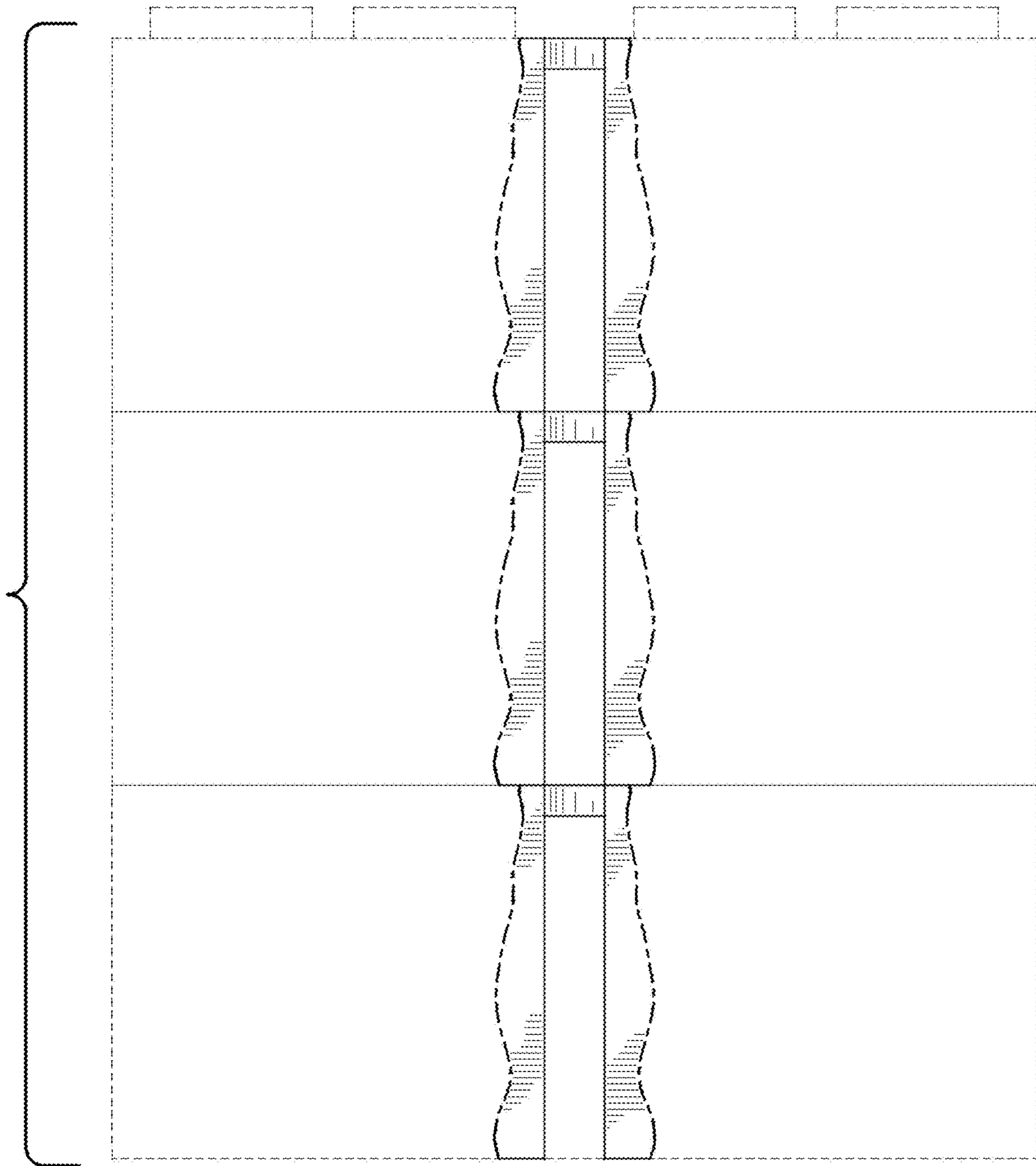


FIG. 6

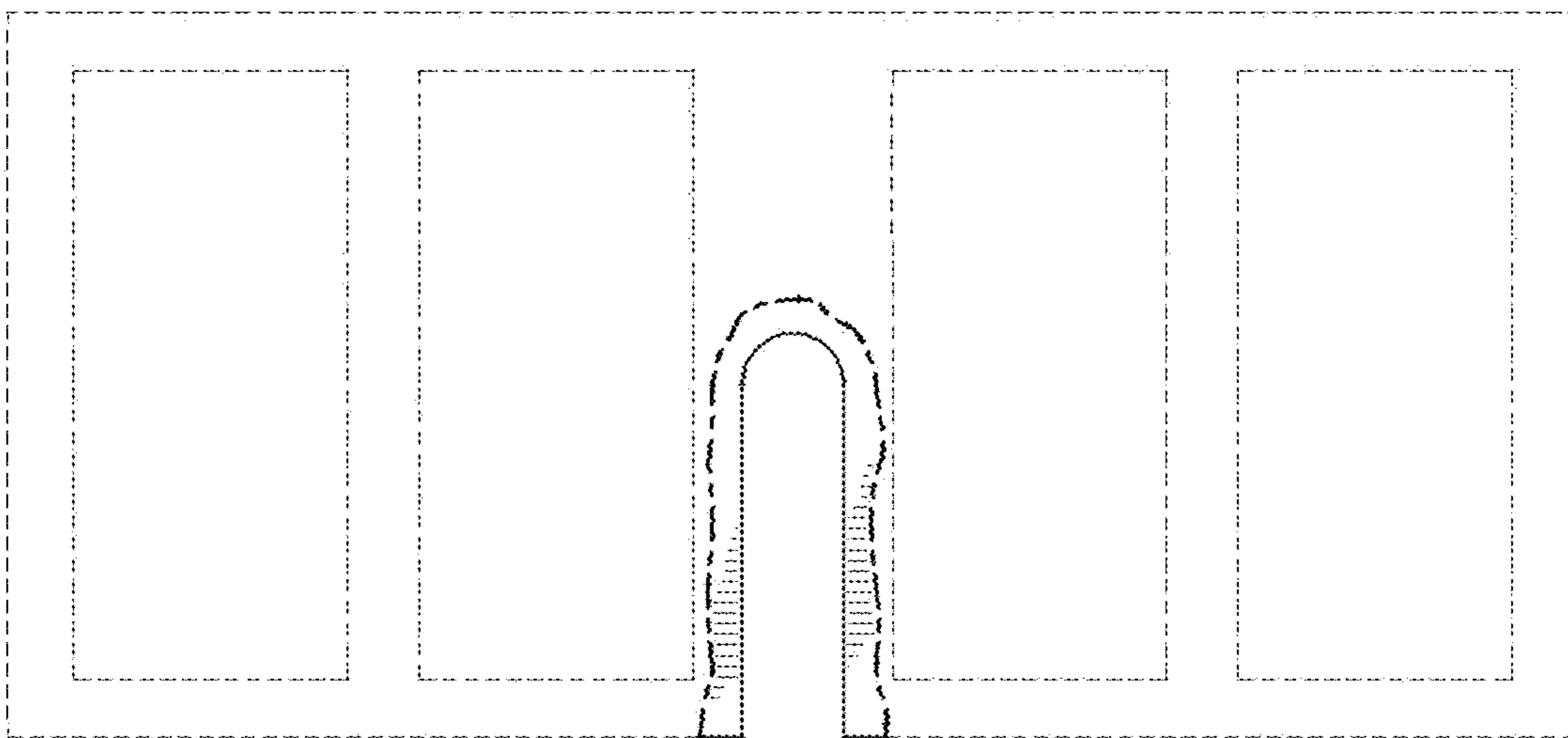


FIG. 7

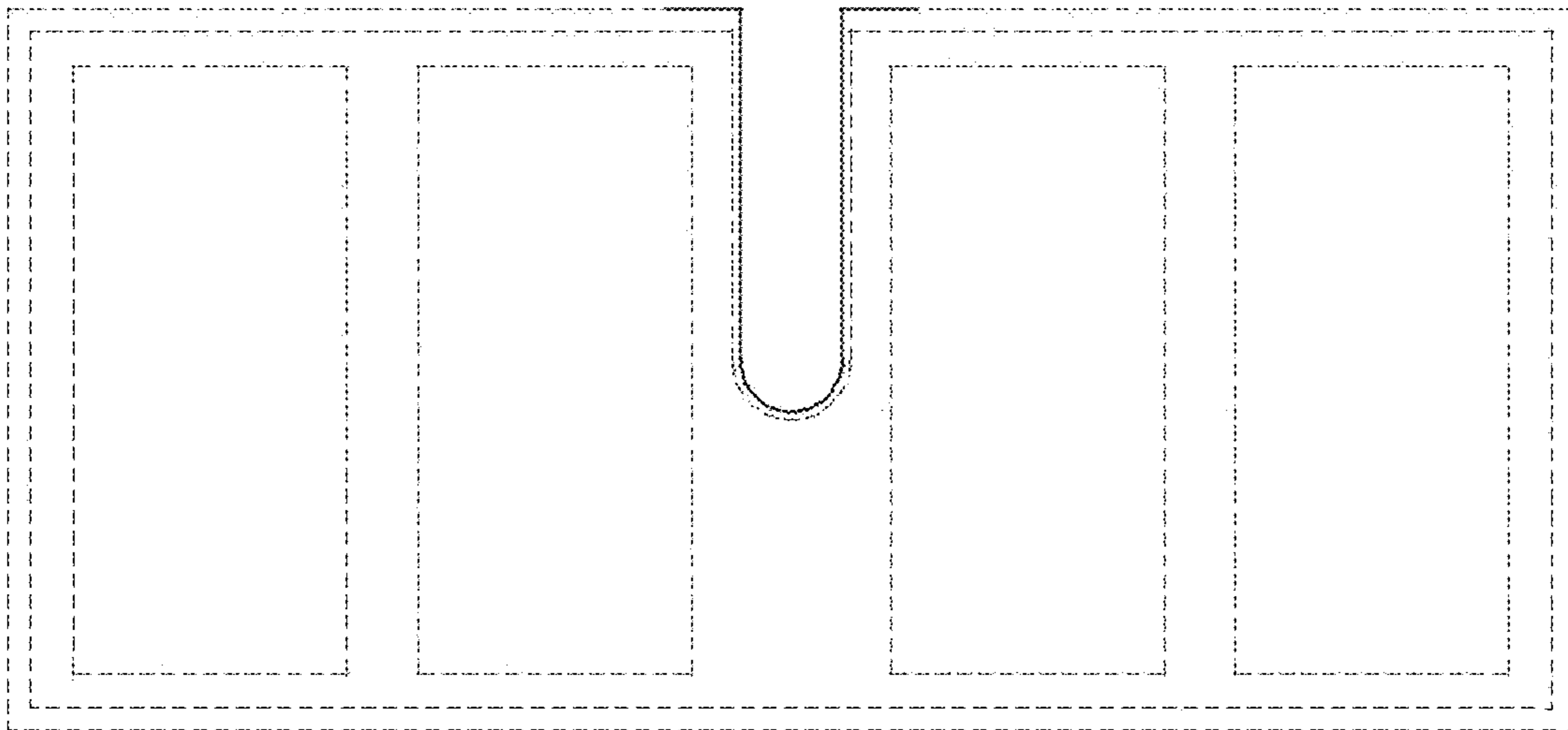


FIG. 8

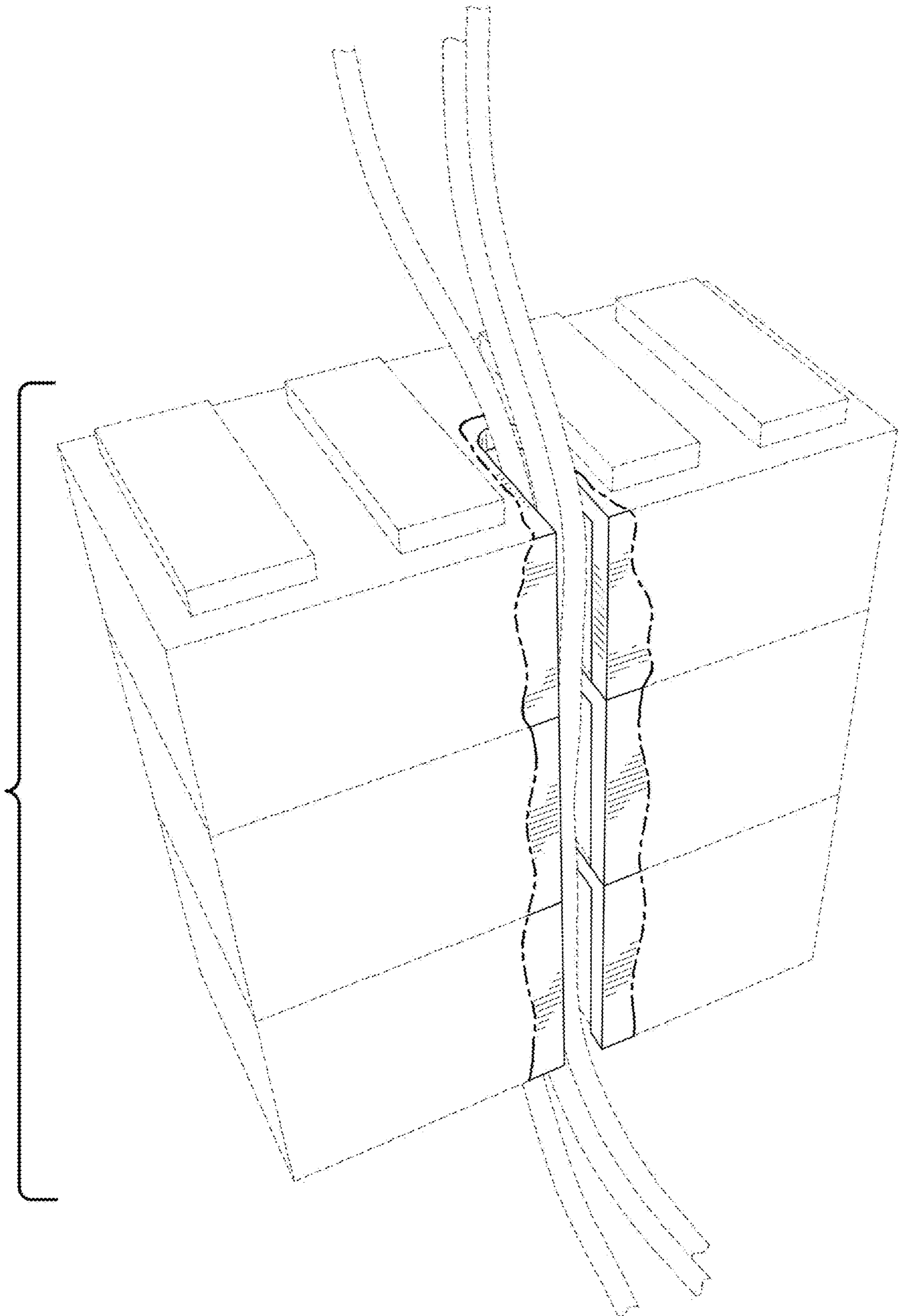


FIG. 9