



US00D872191S

(12) **United States Design Patent**
Lee

(10) **Patent No.:** **US D872,191 S**

(45) **Date of Patent:** **** Jan. 7, 2020**

(54) **SCOOTER**

(71) Applicant: **Neuron Corporation**, Costa Mesa, CA
(US)

(72) Inventor: **Edward Lee**, Costa Mesa, CA (US)

(**) Term: **15 Years**

(21) Appl. No.: **29/667,407**

(22) Filed: **Oct. 22, 2018**

(51) **LOC (12) Cl.** **21-01**

(52) **U.S. Cl.**
USPC **D21/423**

(58) **Field of Classification Search**

USPC D21/419, 421, 423, 426-428, 435, 760,
D21/765, 771; D12/1, 8, 108, 112, 113
CPC . B62K 3/002; B62K 9/00; B62K 9/02; B62K
13/00; B62K 2202/00; B62K 11/00;
B62K 11/02; B62K 11/06; B62K 11/10;
B62K 15/00; B62K 17/00; H04W 4/40

See application file for complete search history.

(56) **References Cited**

U.S. PATENT DOCUMENTS

D456,460 S * 4/2002 Tseng B62K 3/002
D21/423
D816,779 S * 5/2018 Ouyang D21/423
D829,826 S * 10/2018 Liu D21/423
D832,930 S * 11/2018 Shen D21/423
D834,097 S * 11/2018 Lin D21/423

D835,206 S * 12/2018 Lin D21/423
D836,727 S * 12/2018 Wilson D21/423
D838,783 S * 1/2019 Uchiyama D21/423
D841,097 S * 2/2019 Zeng D21/423
D846,654 S * 4/2019 Van Eyndhoven D21/423
2019/0058982 A1* 2/2019 Lee H04W 4/40
2019/0152554 A1* 5/2019 Zeng B62K 11/02

* cited by examiner

Primary Examiner — Cynthia M. Chin

(74) *Attorney, Agent, or Firm* — Elizabeth Yang

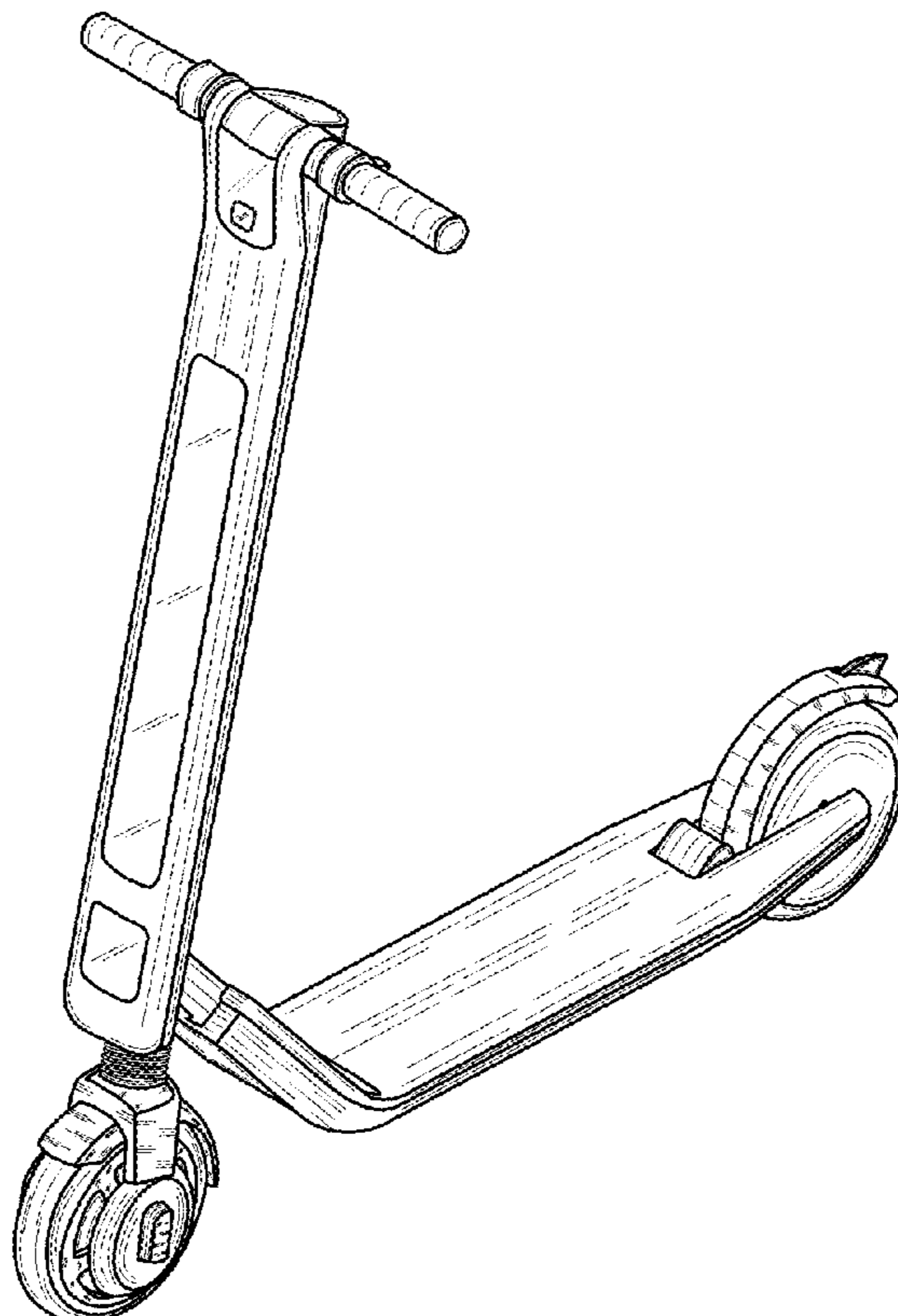
(57) **CLAIM**

The ornamental design for a scooter, as shown and described.

DESCRIPTION

FIG. 1 is a perspective view of the scooter;
FIG. 2 is a rear perspective view of the scooter in FIG. 1;
FIG. 3 is a right side view of the design of the scooter shown in FIG. 1;
FIG. 4 is a left side view of the design of the scooter shown in FIG. 1;
FIG. 5 is a front view of the design of the scooter shown in FIG. 1;
FIG. 6 is a rear view of the design of the scooter shown in FIG. 1; and,
FIG. 7 is a top view of the design of the scooter shown in FIG. 1.

1 Claim, 5 Drawing Sheets



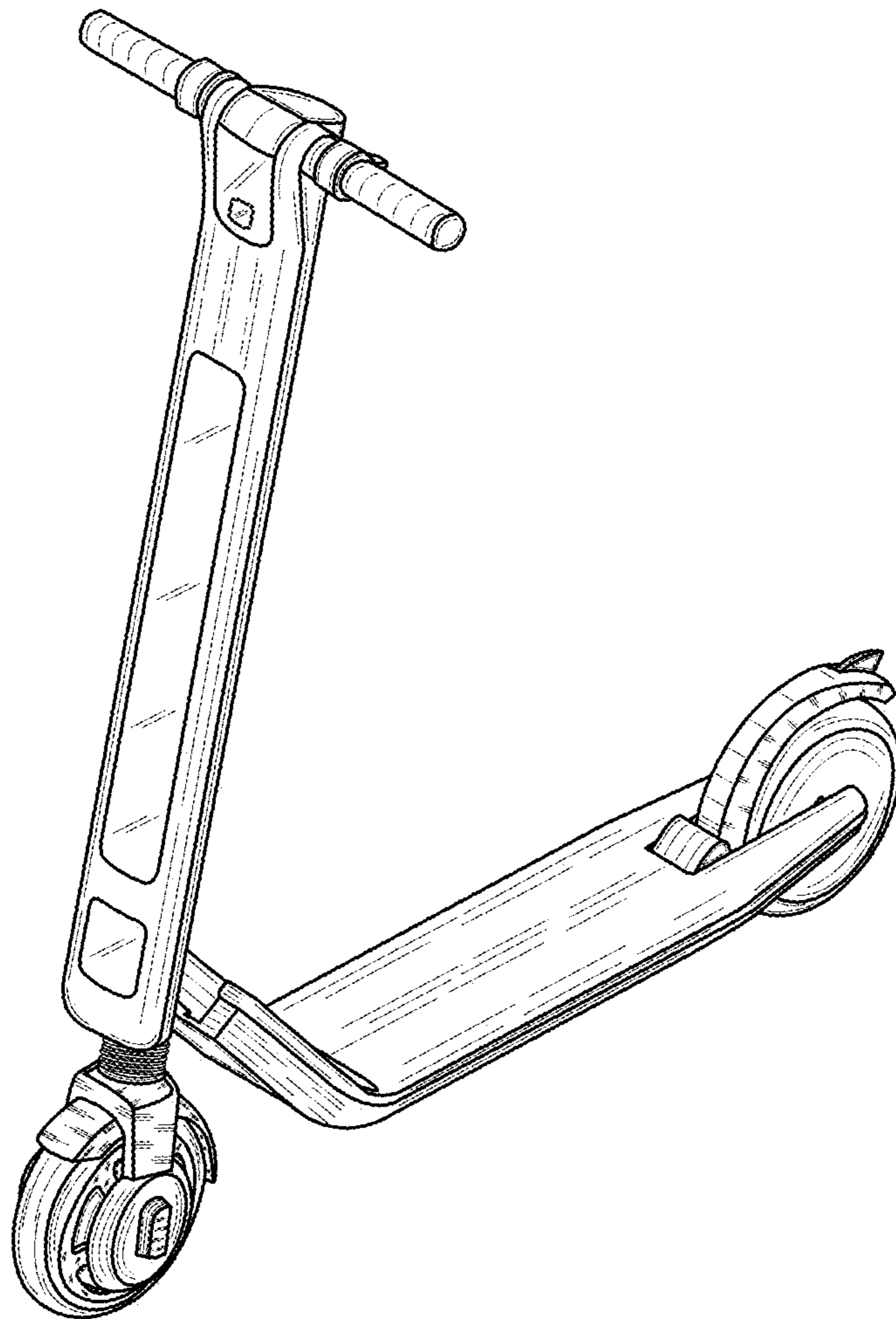


FIG. 1

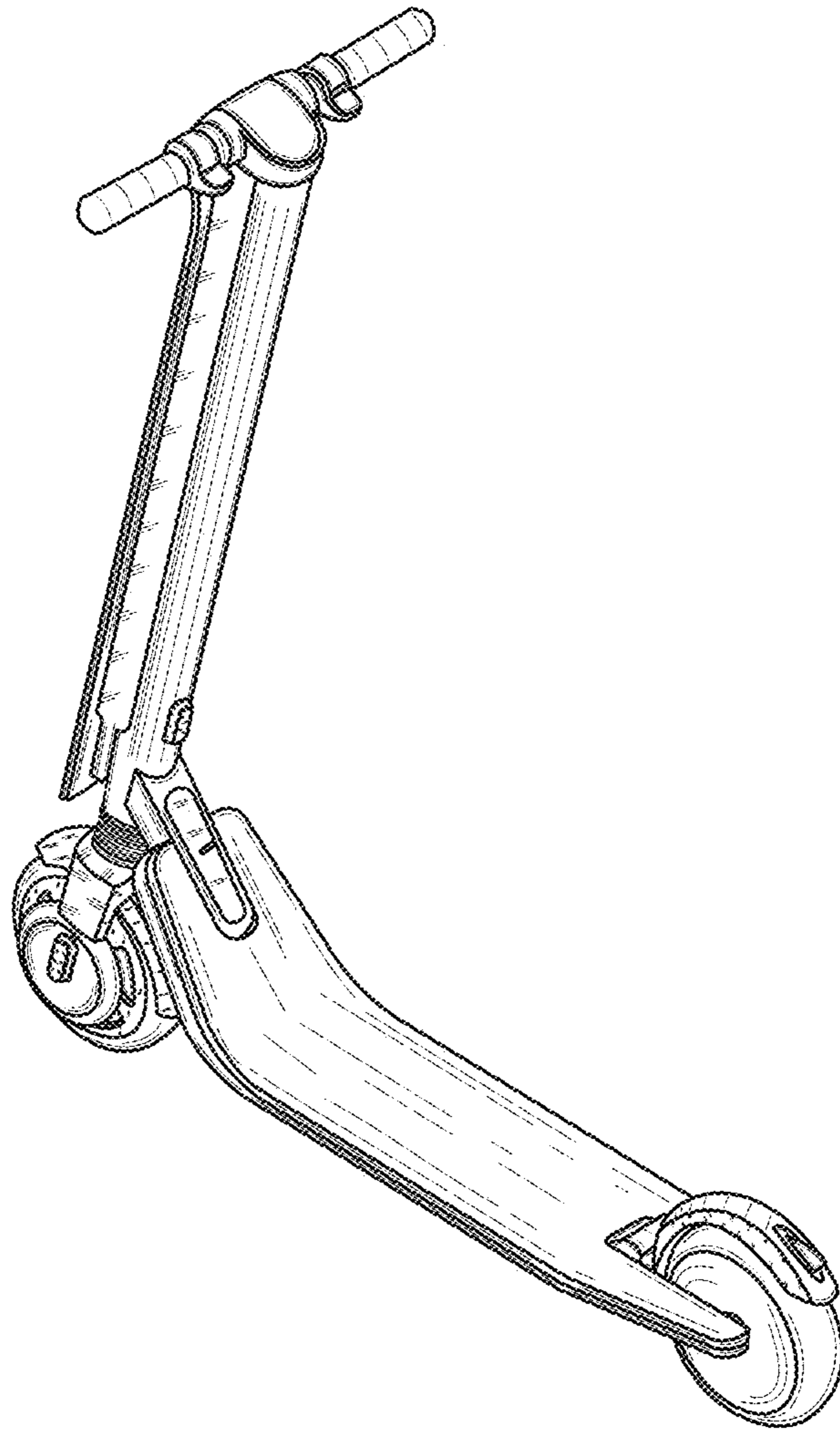


FIG. 2

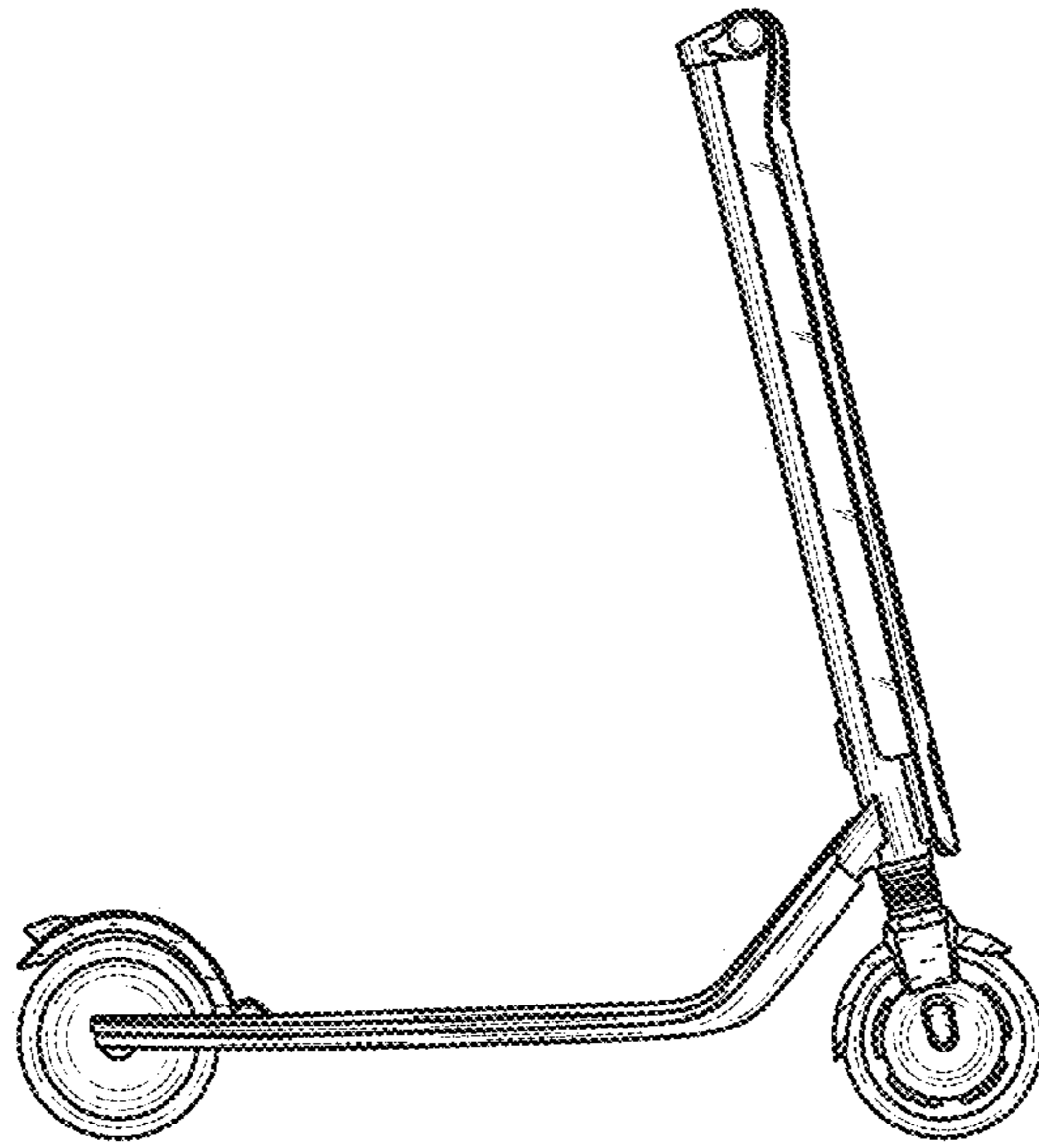


FIG. 3

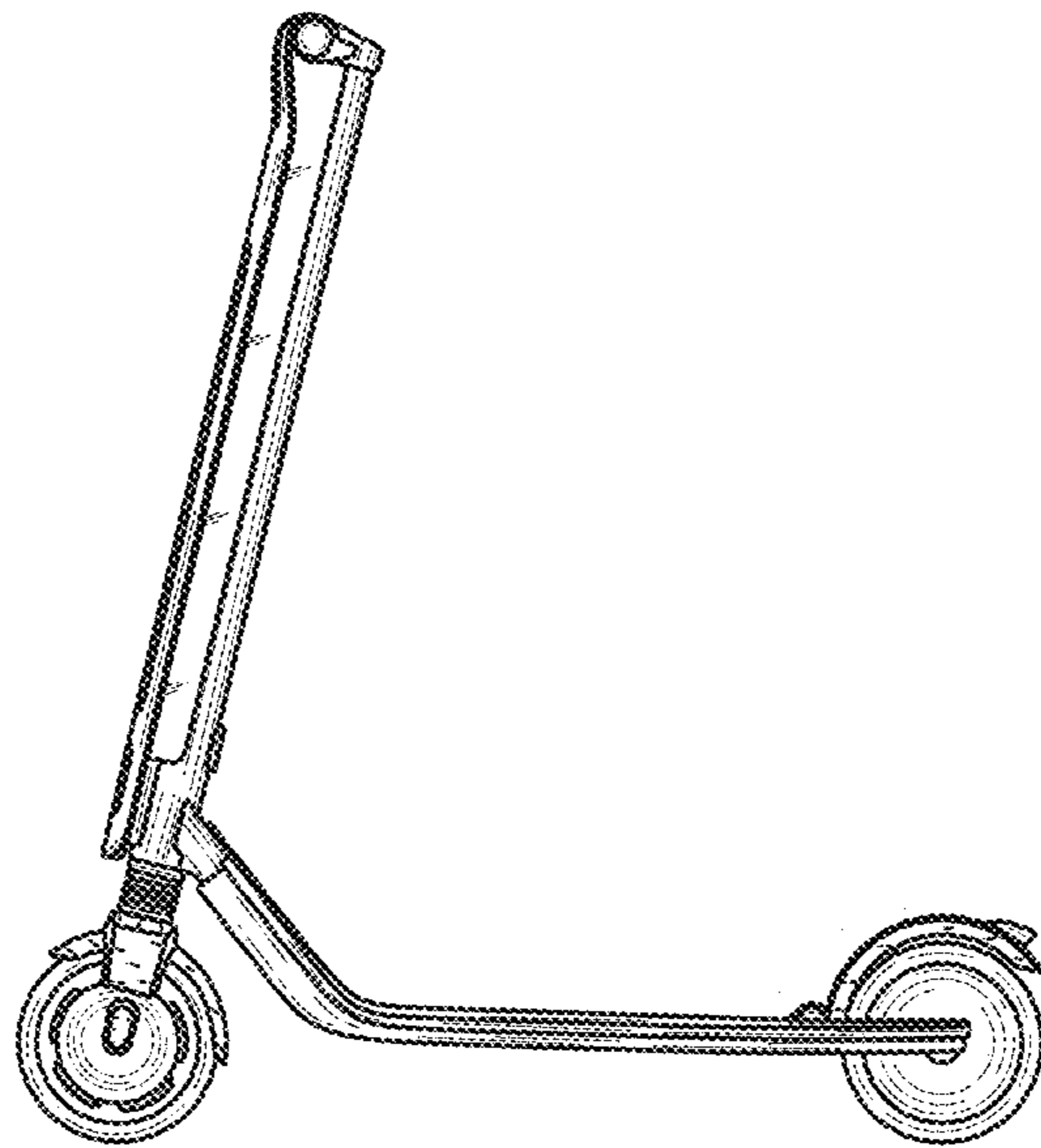


FIG. 4

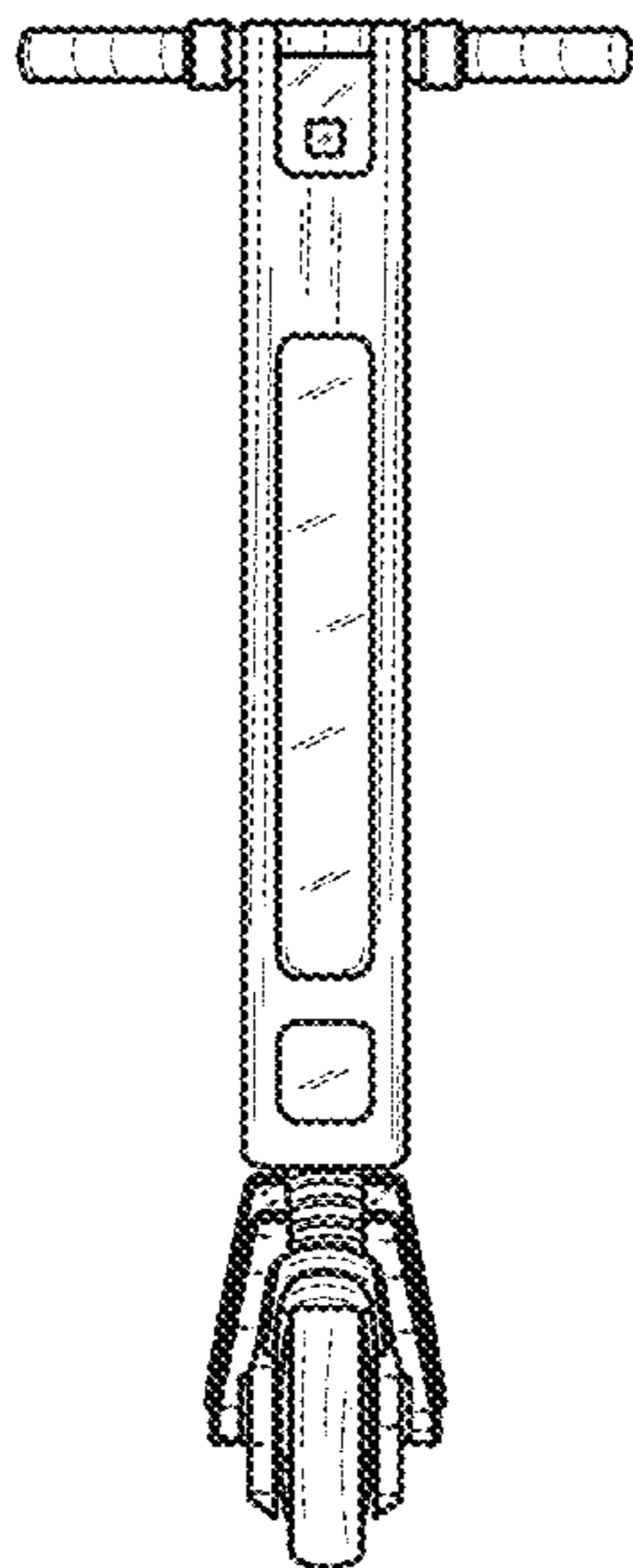


FIG. 5

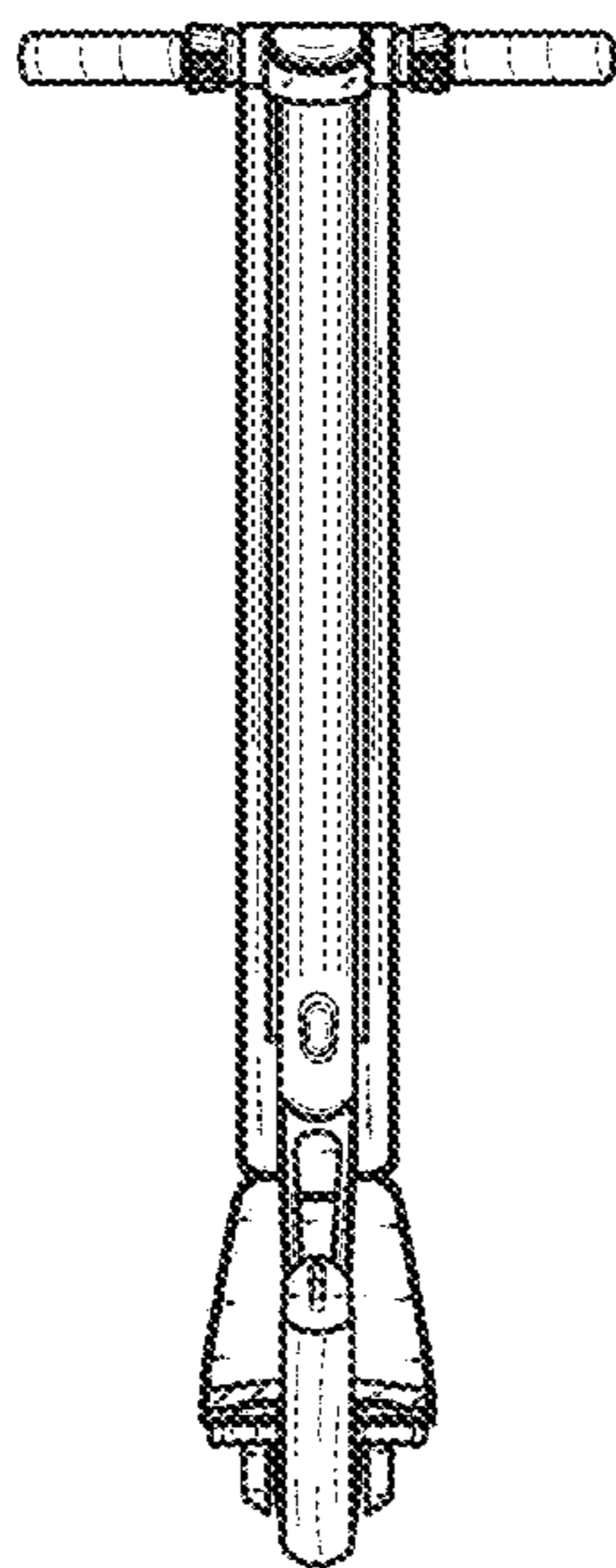


FIG. 6

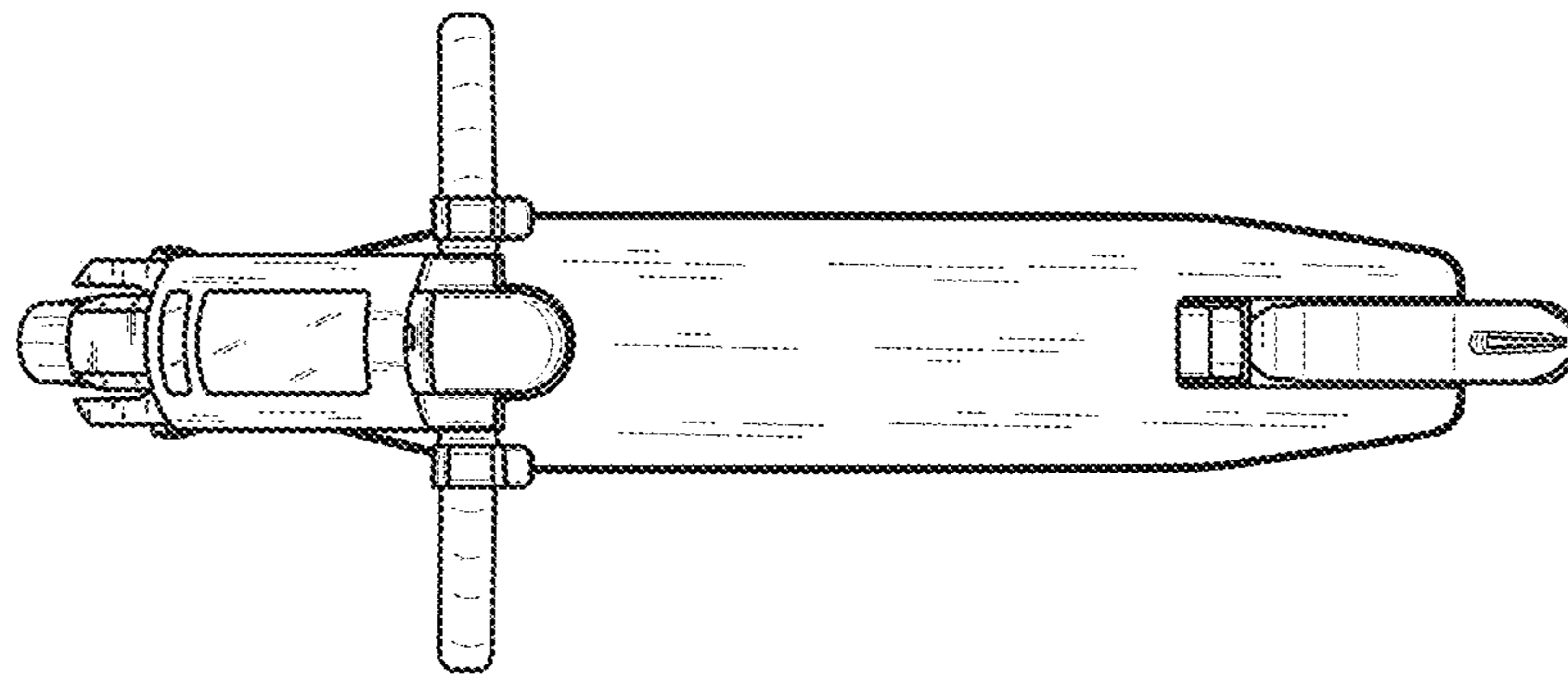


FIG. 7