



US00D872186S

(12) **United States Design Patent**  
**Mason**

(10) **Patent No.:** **US D872,186 S**  
(45) **Date of Patent:** **\*\* Jan. 7, 2020**

(54) **TABLE-TOP GAME**

(71) Applicant: **Robert Alan Mason**, North Ogden  
City, UT (US)

(72) Inventor: **Robert Alan Mason**, North Ogden  
City, UT (US)

(\*\*) Term: **15 Years**

(21) Appl. No.: **29/589,290**

(22) Filed: **Dec. 29, 2016**

(51) **LOC (12) Cl.** ..... **21-01**

(52) **U.S. Cl.**  
USPC ..... **D21/336; D21/337; D21/342**

(58) **Field of Classification Search**  
USPC ..... D21/300, 334, 336, 337, 347, 348, 364,  
D21/363, 368, 369, 385, 386, 388-391,  
D21/396, 398, 399, 404, 455, 460, 461,  
D21/465, 478, 479, 483, 484, 504-506;  
273/238-241, 260, 280, 282.1, 236, 242,  
273/271, 275, 138.1, 141 A, 141 R, 146,  
273/147, 138.2, 138.3, 153 R, 154, 156,  
273/157 R, 159, 160, 153 P, 153 S, 153 J,  
273/456, 373, 374; 434/128, 72, 73, 81,  
434/82, 211, 203-205, 215, 216, 301,  
434/302, 276, 278, 188, 190, 281, 365,  
434/403, 433; 472/137; 52/606, 591.1,  
52/81.1, 81.3-81.5; 403/171-178, 220;  
446/85, 92, 120, 122, 124, 123, 125, 128,  
446/111, 121, 129-139, 102, 104, 236,  
446/491; 473/569; 428/7

CPC ..... A63F 3/00214; A63F 3/00261; A63F  
3/00694; A63F 3/00895; A63F 3/02;  
A63F 3/0415; A63F 3/0457; A63F  
2003/00217; A63F 2003/0022; A63F  
2003/00264; A63F 2003/00268; A63F  
2003/00302; A63F 2003/00305; A63F  
2003/00406; A63F 2003/0047; A63F  
2003/00545; A63F 2003/00548; A63F  
2003/00564; A63F 2003/00624; A63F  
2003/0063; A63F 2003/0064; A63F

2003/00738; A63F 2003/00747; A63F  
2003/00804-0082; A63F 2003/00842;  
A63F 2003/00848; A63F 2003/00883;  
A63F 2003/00924; A63F 2003/00927;  
A63F 2003/046; A63F 2003/0476; A63F  
2003/0478; A63F 7/00; A63F 7/0005;  
A63F 7/0023; A63F 7/0076; A63F  
7/0088; A63F 9/00; A63F 9/04; A63F  
9/001; A63F 9/0415; A63F 9/0073; A63F  
9/0096; A63F 9/0076; A63F 9/0826;  
A63F 9/16; A63F 9/26; A63F 9/34; A63F  
2009/0007; A63F 2009/0033; A63F  
(Continued)

(56) **References Cited**

U.S. PATENT DOCUMENTS

D148,930 S \* 3/1948 Hickman ..... D21/499  
3,195,266 A \* 7/1965 Onanian ..... A63H 33/101  
446/86

(Continued)

*Primary Examiner* — Susan Moon Lee

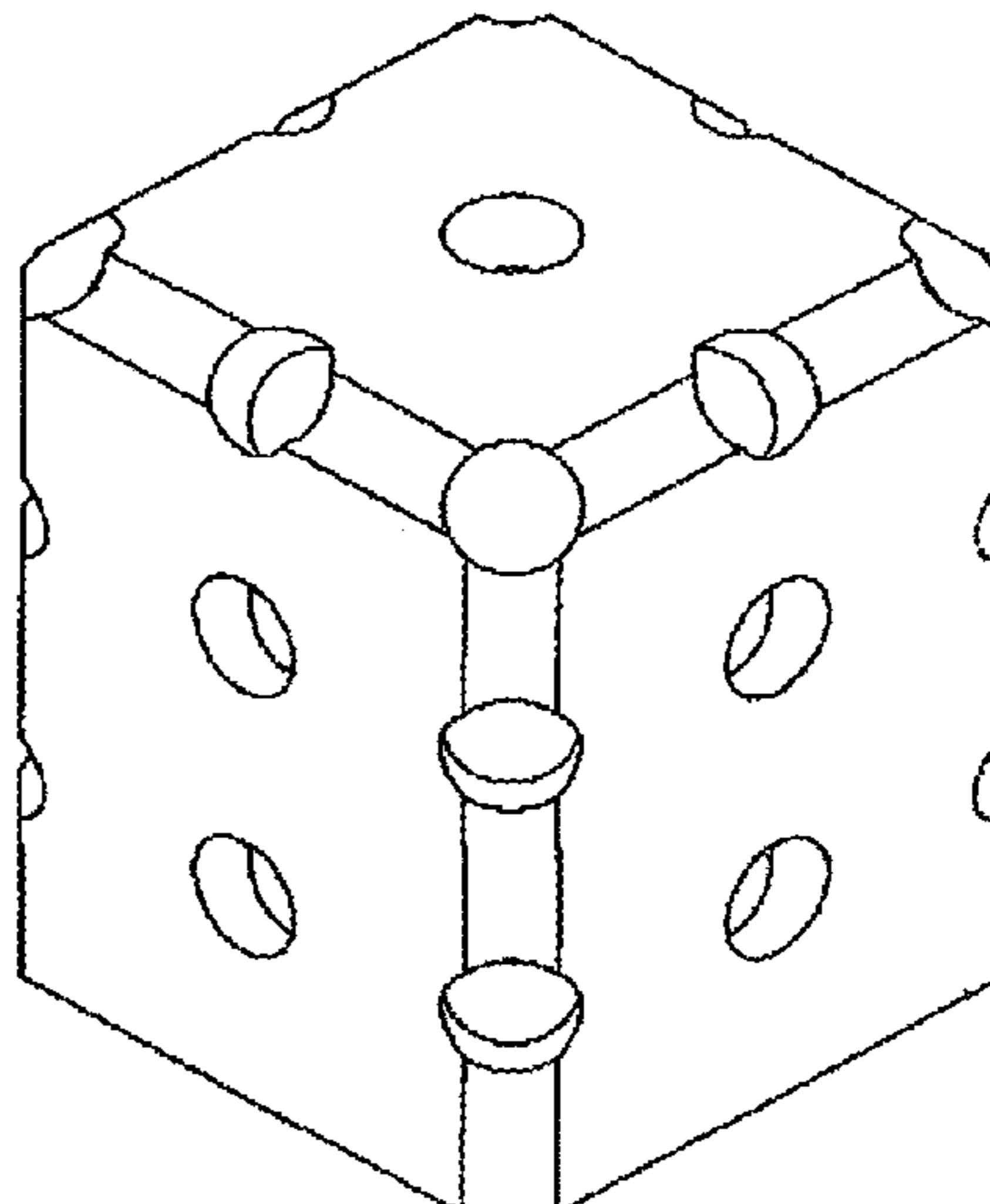
(57) **CLAIM**

I claim the ornamental design for a table-top game, as shown  
and described.

**DESCRIPTION**

FIG. 1 is a front view of a table-top game according to my  
design, the back, left and right side views being identical;  
FIG. 2 is a top plan view thereof;  
FIG. 3 is a perspective view thereof;  
FIG. 4 is a front view of the table-top game according to a  
second embodiment, the back, left and right side views  
being identical;  
FIG. 5 is a top view thereof; and,  
FIG. 6 is a perspective view thereof.  
In both embodiments, the undersides are unornamented and  
form no part of the design claim.

**1 Claim, 2 Drawing Sheets**



(58) **Field of Classification Search**  
 CPC ..... 2009/0049; A63F 2009/0431; A63F  
 2009/0846; A63F 2009/165; A63H 33/10;  
 A63H 33/084; A63H 33/086; A63H  
 33/048; A63H 33/04; A63H 33/046;  
 A63H 33/08; A63H 33/088; A63H 33/16;  
 A63H 33/26; Y10S 52/10; Y10S 52/11;  
 Y10S 403/342-349; G09B 1/00; G09B  
 1/02; G09B 1/08; G09B 9/00; G09B  
 19/10; G09B 19/22; G09B 23/00-10;  
 G09B 23/20; G09B 23/24; G09B 23/26;  
 G09B 23/30; G09B 25/00  
 See application file for complete search history.

(56) **References Cited**

U.S. PATENT DOCUMENTS

3,205,611 A \* 9/1965 Onanian ..... A63H 33/042  
 446/89  
 3,405,479 A \* 10/1968 Paulson ..... A63H 33/08  
 446/128  
 3,496,670 A \* 2/1970 Ryan ..... A63H 33/088  
 446/104  
 3,905,150 A \* 9/1975 Dawn ..... A63H 33/088  
 446/124  
 4,063,725 A \* 12/1977 Snyder ..... A63B 9/00  
 482/35  
 4,547,160 A \* 10/1985 Labelle ..... G09B 1/40  
 273/292  
 D286,416 S \* 10/1986 Kassai ..... D21/499  
 5,035,666 A \* 7/1991 Kang ..... A63F 9/0098  
 446/118  
 5,078,354 A \* 1/1992 Kim ..... E04B 2/18  
 446/123  
 5,098,328 A \* 3/1992 Beerens ..... A63H 33/086  
 446/125  
 5,106,093 A \* 4/1992 Engel ..... A63H 33/08  
 273/160  
 D343,427 S \* 1/1994 Sher ..... 446/128  
 5,281,185 A \* 1/1994 Lee ..... A63H 33/10  
 446/109  
 D351,425 S \* 10/1994 Seiler ..... D21/337  
 5,372,450 A \* 12/1994 Blodgett ..... A63H 33/10  
 403/171  
 D363,091 S \* 10/1995 Dobis ..... D21/336  
 5,921,781 A \* 7/1999 Shaw ..... G09B 23/02  
 434/188  
 D413,636 S \* 9/1999 Laserna Fernandez ..... D21/499  
 6,024,626 A \* 2/2000 Mendelsohn ..... A63H 33/046  
 446/124  
 6,062,937 A \* 5/2000 Kikuchi ..... A63H 33/042  
 446/484  
 6,264,522 B1 \* 7/2001 Dickson ..... A44C 13/00  
 446/102  
 6,679,780 B1 \* 1/2004 Shih ..... A63F 9/1204  
 273/156  
 D509,858 S \* 9/2005 May ..... D21/499

7,413,493 B2 \* 8/2008 Toht ..... A63H 33/046  
 273/156  
 7,481,692 B2 \* 1/2009 Bruder ..... A63H 33/101  
 446/111  
 7,507,136 B2 \* 3/2009 Patton ..... A63H 33/046  
 335/285  
 7,749,042 B2 \* 7/2010 Fulgenzi ..... A63H 33/06  
 446/108  
 D630,685 S \* 1/2011 Bodin ..... D21/499  
 8,403,723 B1 \* 3/2013 Haner ..... A63H 33/08  
 446/120  
 8,491,312 B2 \* 7/2013 Rudisill ..... H01R 11/30  
 439/39  
 8,678,388 B2 \* 3/2014 Nagy ..... A63F 9/0001  
 273/146  
 D702,774 S \* 4/2014 Wizenberg ..... D21/499  
 8,850,683 B2 \* 10/2014 Haughey ..... A63H 33/046  
 29/428  
 8,888,552 B2 \* 11/2014 Wizenberg ..... A63H 33/086  
 446/102  
 D744,599 S \* 12/2015 Gan ..... D21/504  
 D760,324 S \* 6/2016 Akimoto ..... D21/499  
 9,454,916 B2 \* 9/2016 Kelly ..... G09B 23/02  
 D776,205 S \* 1/2017 Facey ..... D21/499  
 D795,360 S \* 8/2017 Ahn ..... D21/499  
 D796,588 S \* 9/2017 Poulus ..... D21/484  
 9,782,687 B2 \* 10/2017 Bagley ..... A63H 33/046  
 D803,953 S \* 11/2017 Wallace ..... D21/500  
 10,188,960 B2 \* 1/2019 Berglund ..... A63H 33/062  
 D845,400 S \* 4/2019 MacArthur ..... D21/501  
 D852,896 S \* 7/2019 Semling ..... D21/499  
 10,343,080 B2 \* 7/2019 Jang ..... A63H 33/06  
 2003/0013374 A1 \* 1/2003 Lin ..... A63H 33/04  
 446/85  
 2003/0162157 A1 \* 8/2003 Yun ..... G09B 23/24  
 434/259  
 2005/0191932 A1 \* 9/2005 Lin ..... A63H 33/086  
 446/85  
 2006/0111010 A1 \* 5/2006 Park ..... A63H 33/046  
 446/92  
 2008/0303208 A1 \* 12/2008 Ozipko ..... A63F 9/04  
 273/146  
 2009/0298382 A1 \* 12/2009 Ochi ..... A63H 33/062  
 446/121  
 2010/0210173 A1 \* 8/2010 Maggiore ..... A63H 33/062  
 446/125  
 2011/0076909 A1 \* 3/2011 Hageman ..... A63H 33/086  
 446/124  
 2012/0032393 A1 \* 2/2012 Leicht ..... A63H 33/106  
 273/156  
 2014/0227935 A1 \* 8/2014 Yoon ..... A63H 33/046  
 446/92  
 2014/0273712 A1 \* 9/2014 Uttley ..... A63H 33/102  
 446/121  
 2014/0302741 A1 \* 10/2014 Whittaker ..... A63H 33/046  
 446/92  
 2016/0375371 A1 \* 12/2016 Slepov ..... A63H 33/12  
 446/85

\* cited by examiner

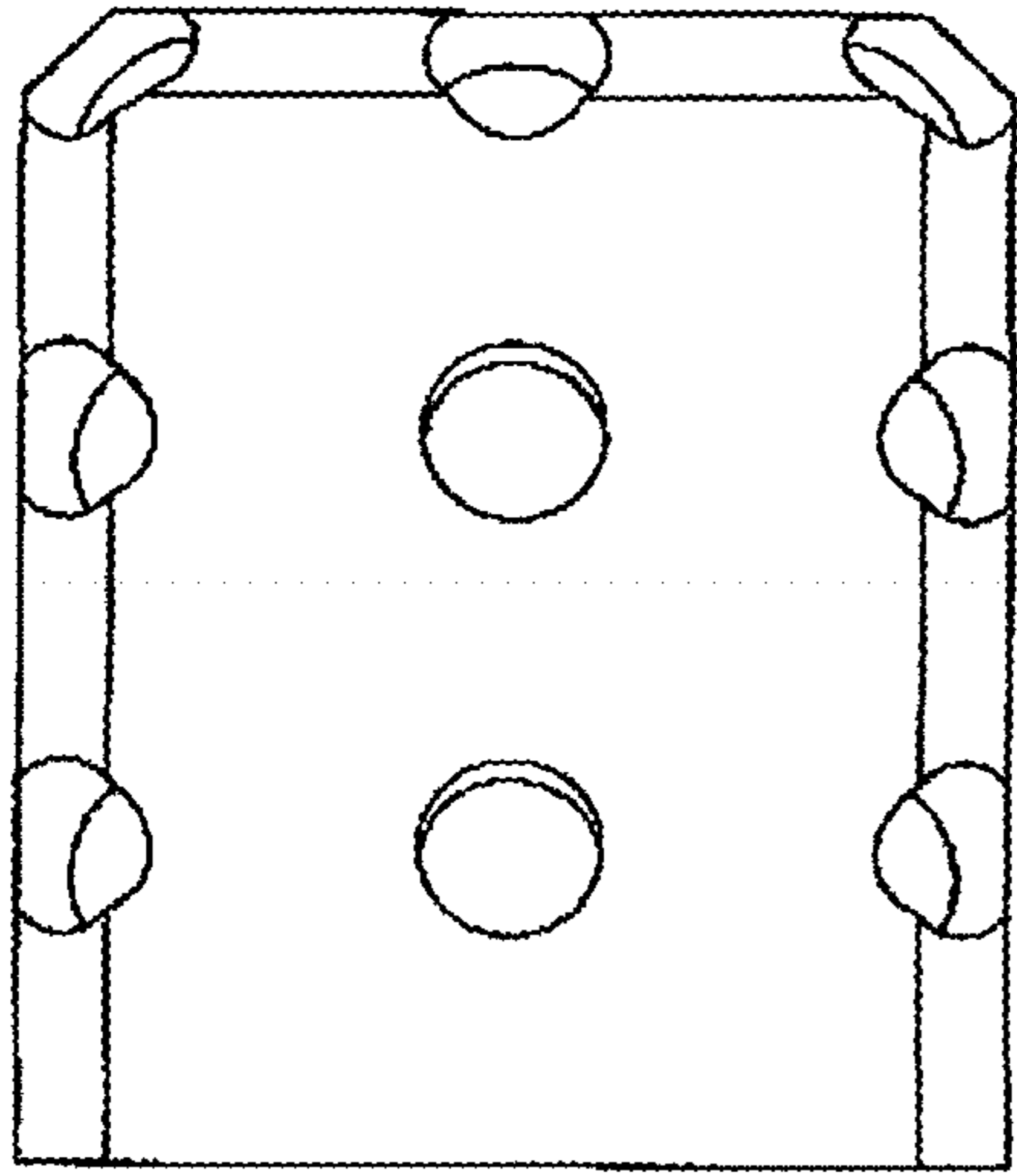


Fig. 1

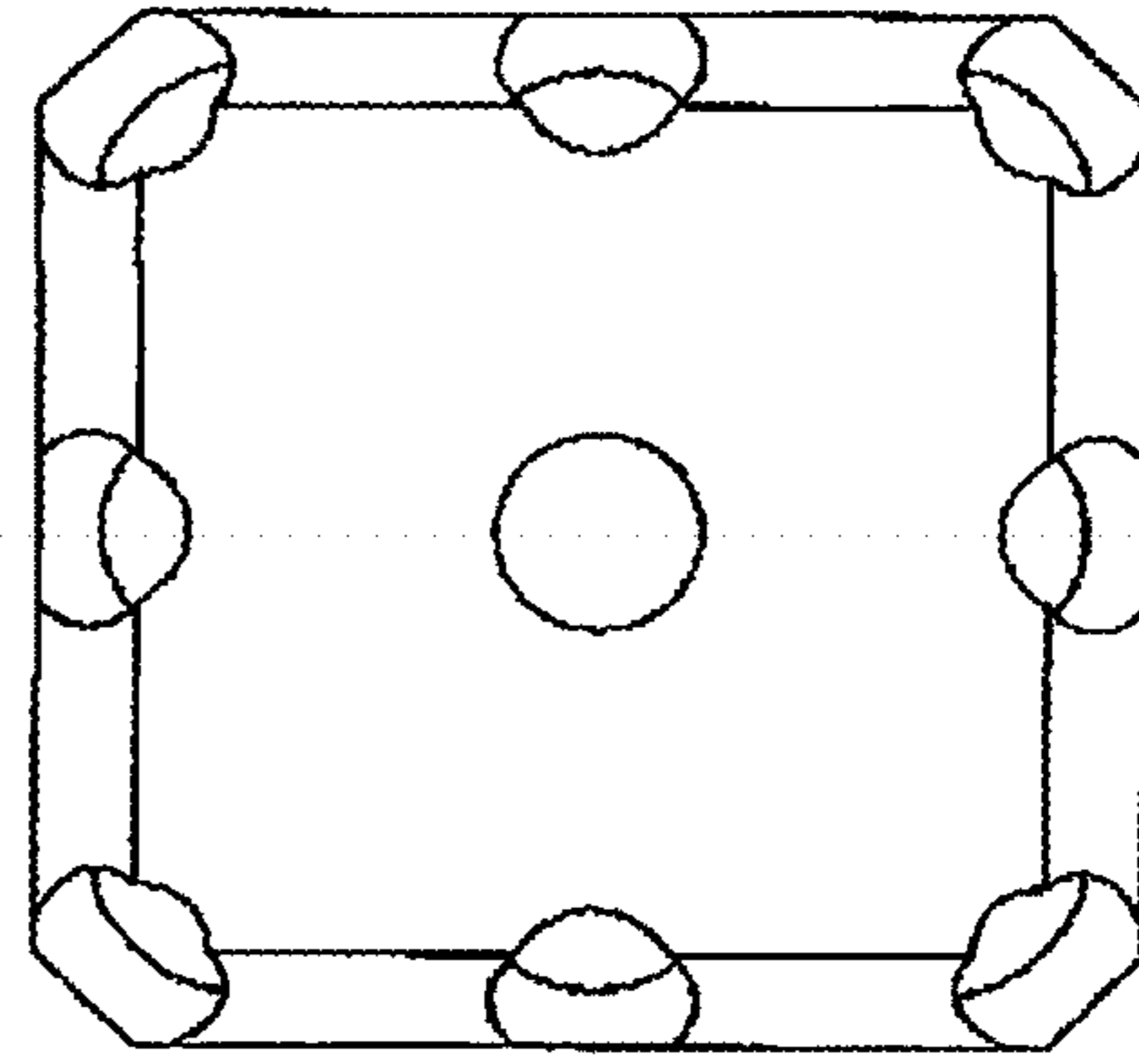


Fig. 2

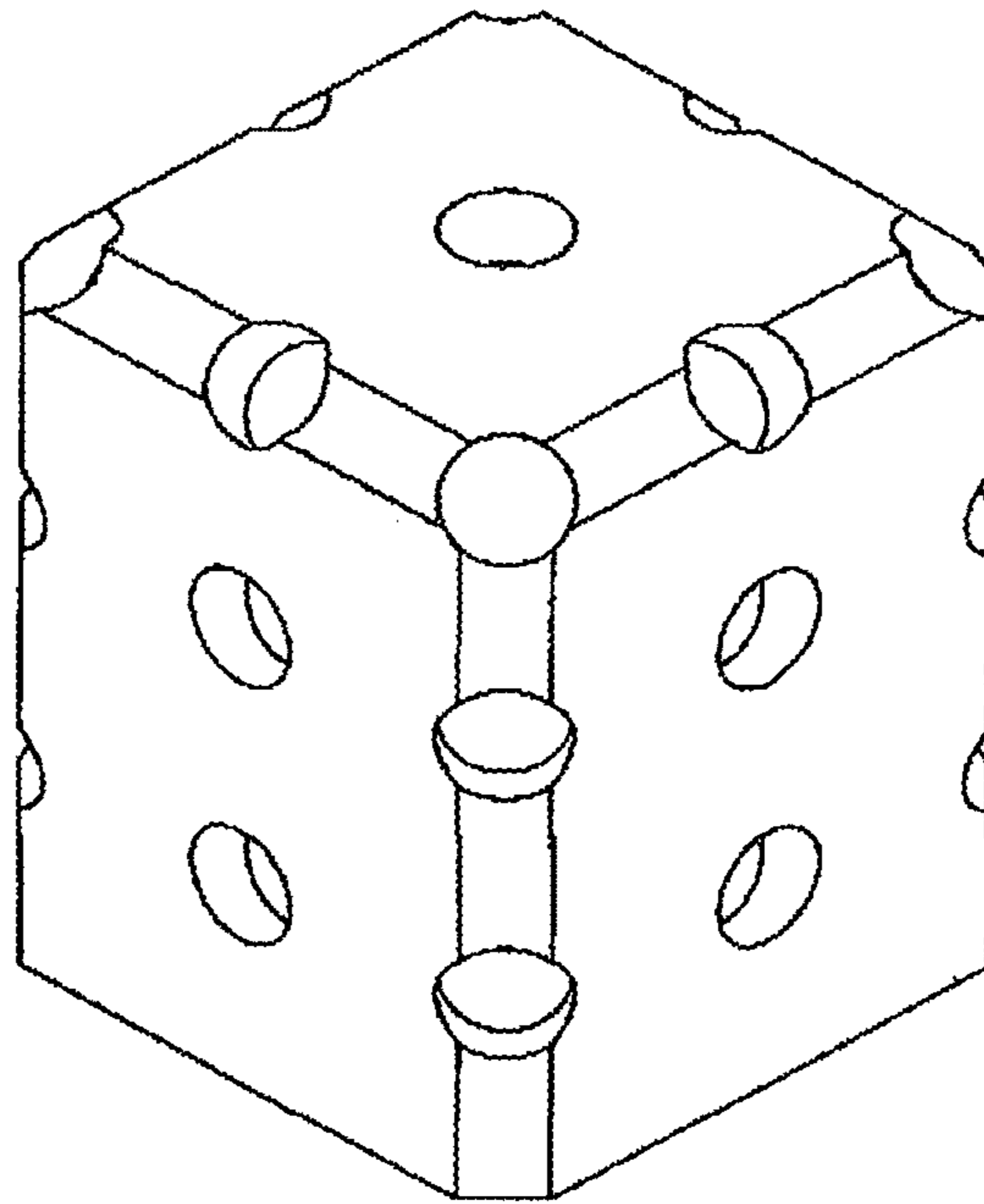


Fig. 3

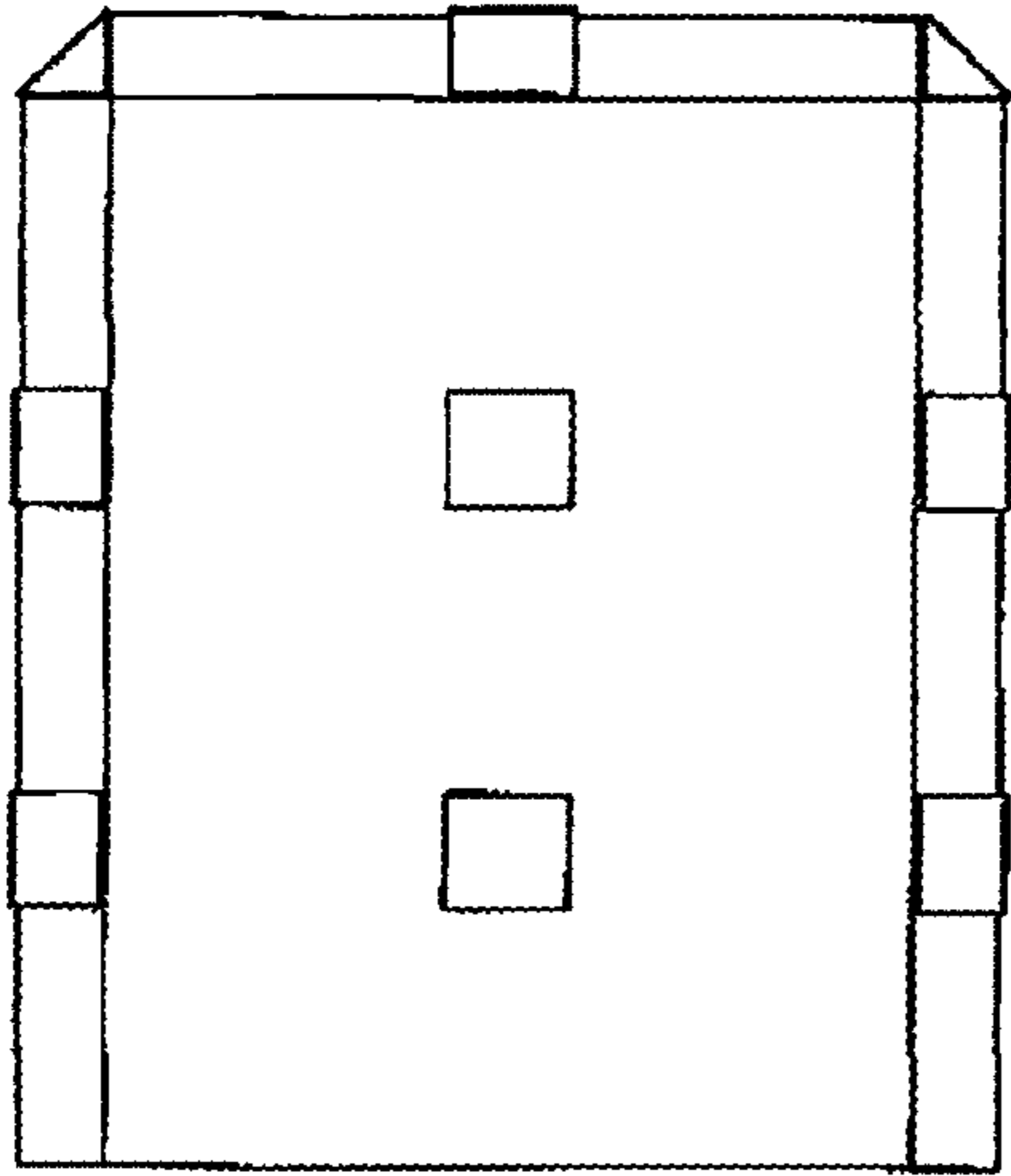


Fig. 4

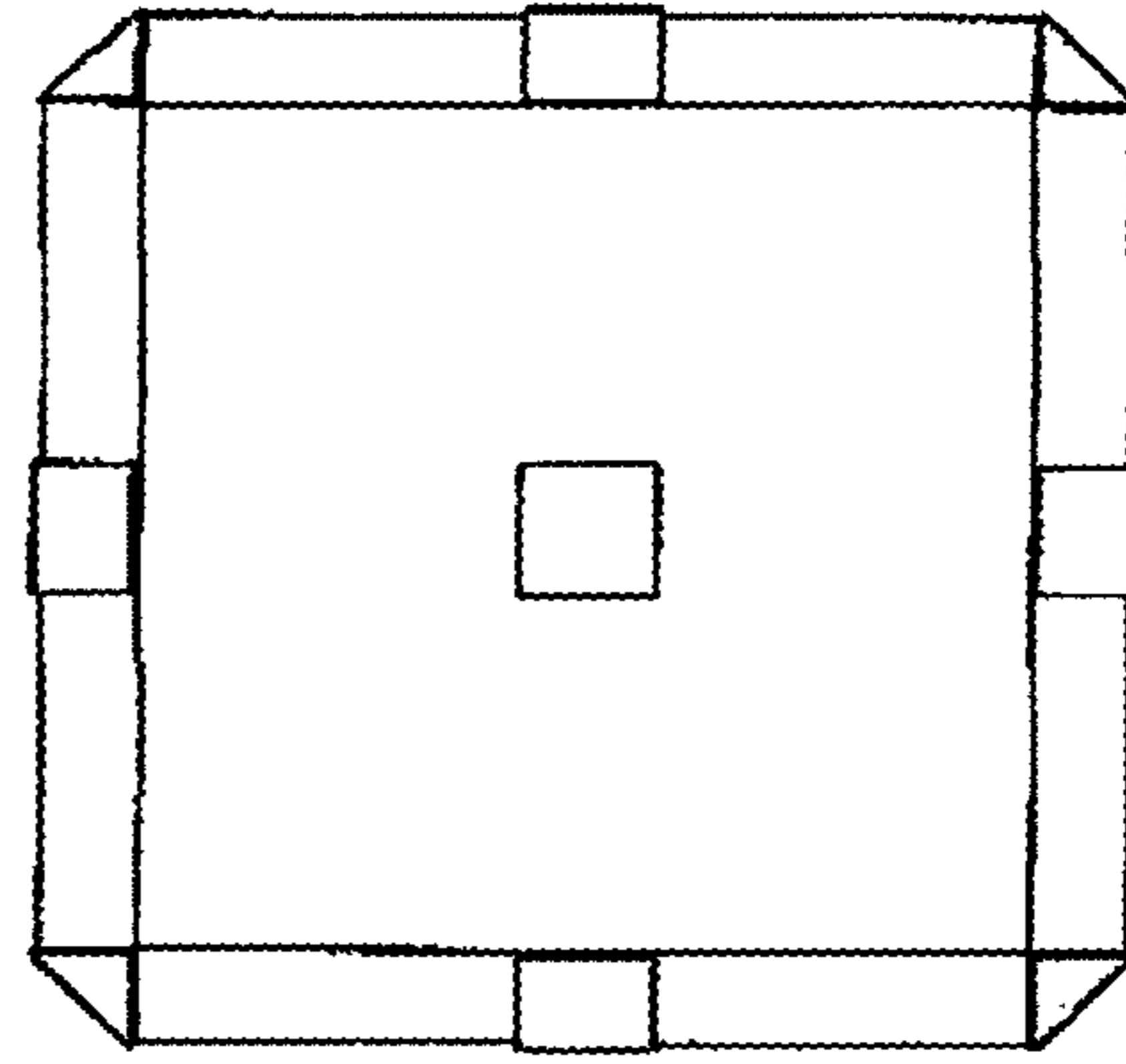


Fig. 5

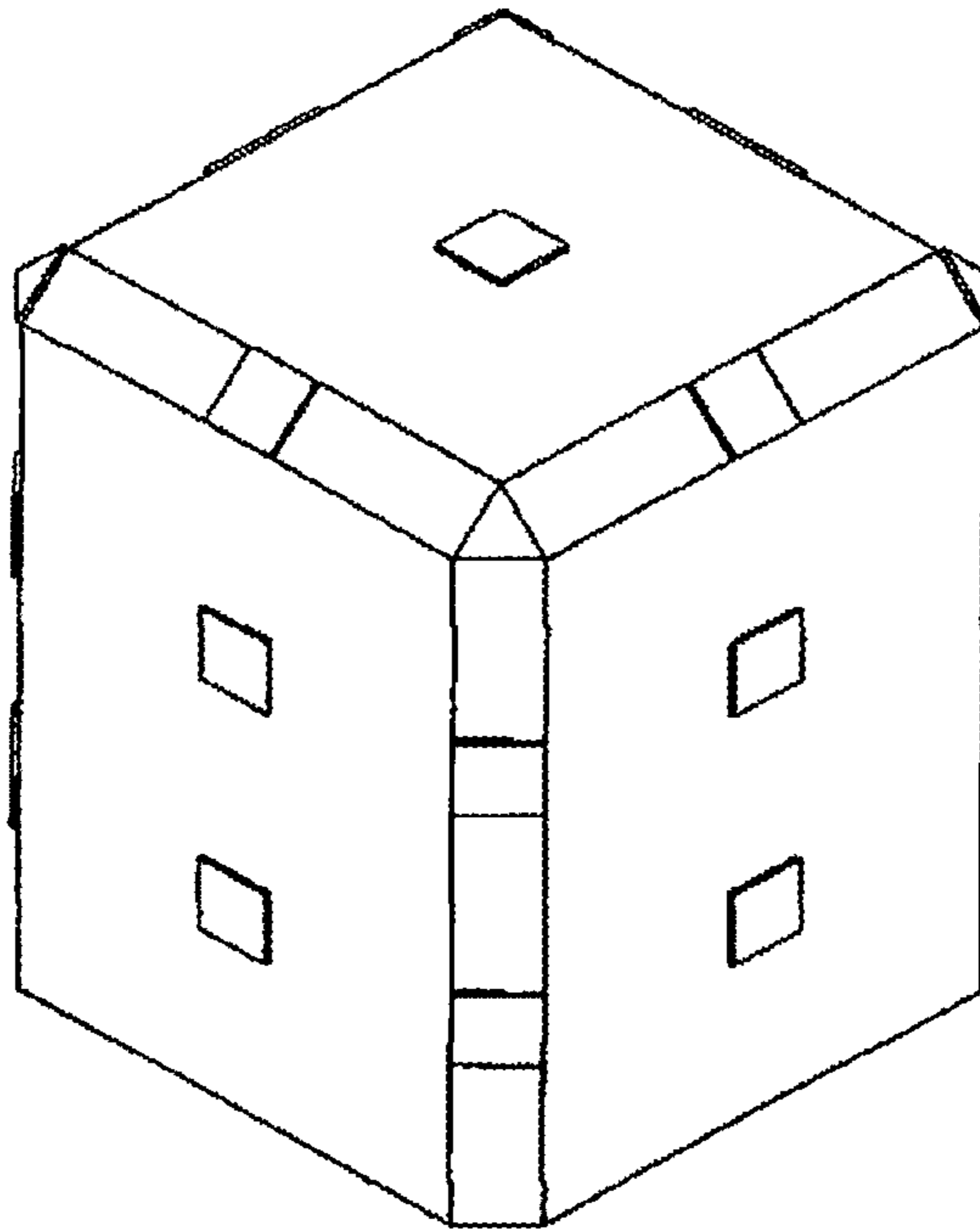


Fig. 6