



US00D872185S

(12) **United States Design Patent**  
**Chatterjee et al.**

(10) **Patent No.:** **US D872,185 S**  
(45) **Date of Patent:** **\*\* Jan. 7, 2020**

(54) **CONTROLLER**

(71) Applicant: **Microsoft Corporation**, Redmond, WA (US)

(72) Inventors: **Monique Chatterjee**, Seattle, WA (US); **Richard T. Hanks**, Arlington, MA (US); **Austin R. Porter**, Salem, MA (US); **Matthew C. Harvey**, Seattle, WA (US)

(73) Assignee: **Microsoft Corporation**, Redmond, WA (US)

(\*\*) Term: **15 Years**

(21) Appl. No.: **29/658,479**

(22) Filed: **Jul. 31, 2018**

(51) **LOC (12) Cl.** ..... **21-02**

(52) **U.S. Cl.**  
USPC ..... **D21/333**; D14/454

(58) **Field of Classification Search**  
USPC ..... D14/174, 218, 387-389, 400-418, D14/426-431, 443, 449-450, 454, 471, D14/511; D21/333, 363, 368  
CPC ..... A63F 13/42; A63F 13/98; A63F 13/24; G06F 3/0338

See application file for complete search history.

(56) **References Cited**

**U.S. PATENT DOCUMENTS**

- 5,670,988 A \* 9/1997 Tickle ..... G06F 3/0338 345/157
- D581,422 S \* 11/2008 Hayes ..... D14/401
- D685,434 S \* 7/2013 Ali ..... D14/401
- D694,830 S \* 12/2013 Crowley ..... D14/401
- 8,641,525 B2 \* 2/2014 Burgess ..... A63F 13/24 463/37
- D708,615 S \* 7/2014 Delrue ..... D14/401
- D709,498 S 7/2014 Morris et al.

- D709,499 S 7/2014 Morris et al.
- D709,882 S \* 7/2014 Morris ..... D14/401
- D754,128 S \* 4/2016 Bellinghausen ..... D14/401
- D765,793 S 9/2016 Chatterjee et al.
- D784,987 S 4/2017 Kujawski
- D784,989 S 4/2017 Kujawski et al.
- D794,129 S 8/2017 Kujawski et al.
- D799,599 S 10/2017 Kujawski et al.
- D801,893 S \* 11/2017 Simoens ..... D12/174
- 10,286,306 B2 \* 5/2019 Okamura ..... A63F 13/24

(Continued)

**OTHER PUBLICATIONS**

New Bumpers Triggers LT RT LB RB Buttons for Xbox One Elite Edition Controller: Published Nov. 2, 2016 [online], site visited Sep. 11, 2019. Available from Internet URL: [https://www.amazon.com/dp/B01MSFJHF4/ref=cm\\_sw\\_r\\_tw\\_dp\\_U\\_x\\_qrBEDbBQ5HM0B](https://www.amazon.com/dp/B01MSFJHF4/ref=cm_sw_r_tw_dp_U_x_qrBEDbBQ5HM0B) (Year: 2016).\*

(Continued)

*Primary Examiner* — Jack Reickel  
*Assistant Examiner* — Melvin L Davis  
(74) *Attorney, Agent, or Firm* — Banner & Witcoff, Ltd.

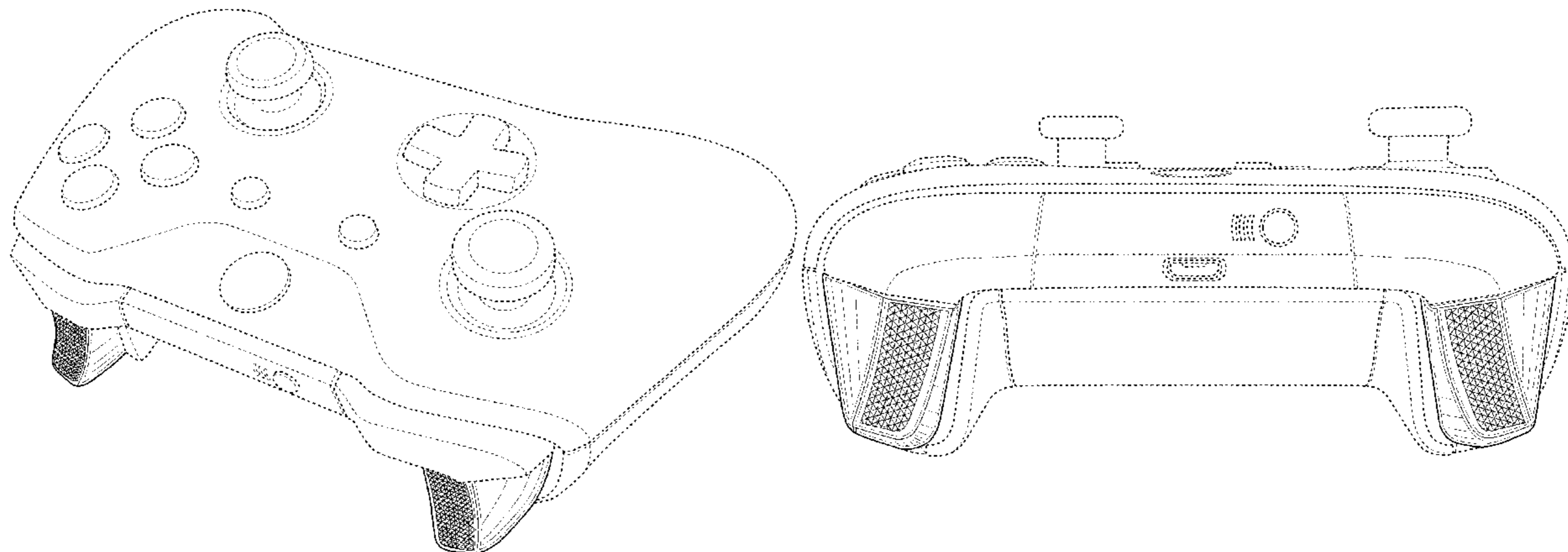
(57) **CLAIM**

The ornamental design for a controller, as shown and described.

**DESCRIPTION**

FIG. 1 is a top front perspective view of a controller showing our new design;  
FIG. 2 is a front view thereof;  
FIG. 3 is a rear view thereof;  
FIG. 4 is a left side view thereof;  
FIG. 5 is a right side view thereof;  
FIG. 6 is a top view thereof; and,  
FIG. 7 is a bottom view thereof.  
The broken lines depicting the remainder of the controller show features that form no part of the claimed design.

**1 Claim, 7 Drawing Sheets**



(56)

**References Cited**

U.S. PATENT DOCUMENTS

2008/0261695 A1\* 10/2008 Coe ..... A63F 13/24  
463/37  
2013/0130800 A1\* 5/2013 Sirilux ..... A63F 13/42  
463/37

OTHER PUBLICATIONS

Qingya 18-in-1 Substitutable Xbox One Elite Controller Parts:  
Published Oct. 12, 2018 [online], site visited Sep. 11, 2019. Avail-  
able from Internet URL:[https://www.amazon.com/dp/B07JD8P729/  
ref=cm\\_sw\\_r\\_tw\\_dp\\_U\\_x\\_DFBEDb790H7EF](https://www.amazon.com/dp/B07JD8P729/ref=cm_sw_r_tw_dp_U_x_DFBEDb790H7EF) (Year: 2018).\*

Bionik Quickshot—Trigger Stop Lock System for Playstation  
DualShock 4 Wireless Controllers: Published Feb. 21, 2018 [online],  
site visited Sep. 11, 2019. Available from Internet URL: [https://  
www.amazon.com/dp/B0797948Z6/ref=cm\\_sw\\_r\\_tw\\_dp\\_U\\_x\\_-  
NBEDbWJ86KTT](https://www.amazon.com/dp/B0797948Z6/ref=cm_sw_r_tw_dp_U_x_-NBEDbWJ86KTT) (Year: 2018).\*

Hisonders Aluminum Alloy Metal L1 R1 L2 R2 Trigger Buttons  
with 2 Springs for PS4 First Gen Controller: Published Aug. 4,  
2014[online], site visited Sep. 11, 2019. Available from Internet  
URL: [https://www.amazon.com/dp/B07235MQNC/ref=cm\\_sw\\_r\\_  
tw\\_dp\\_U\\_x\\_yTBEDb644RTK9](https://www.amazon.com/dp/B07235MQNC/ref=cm_sw_r_tw_dp_U_x_yTBEDb644RTK9) (Year: 2014).\*

\* cited by examiner

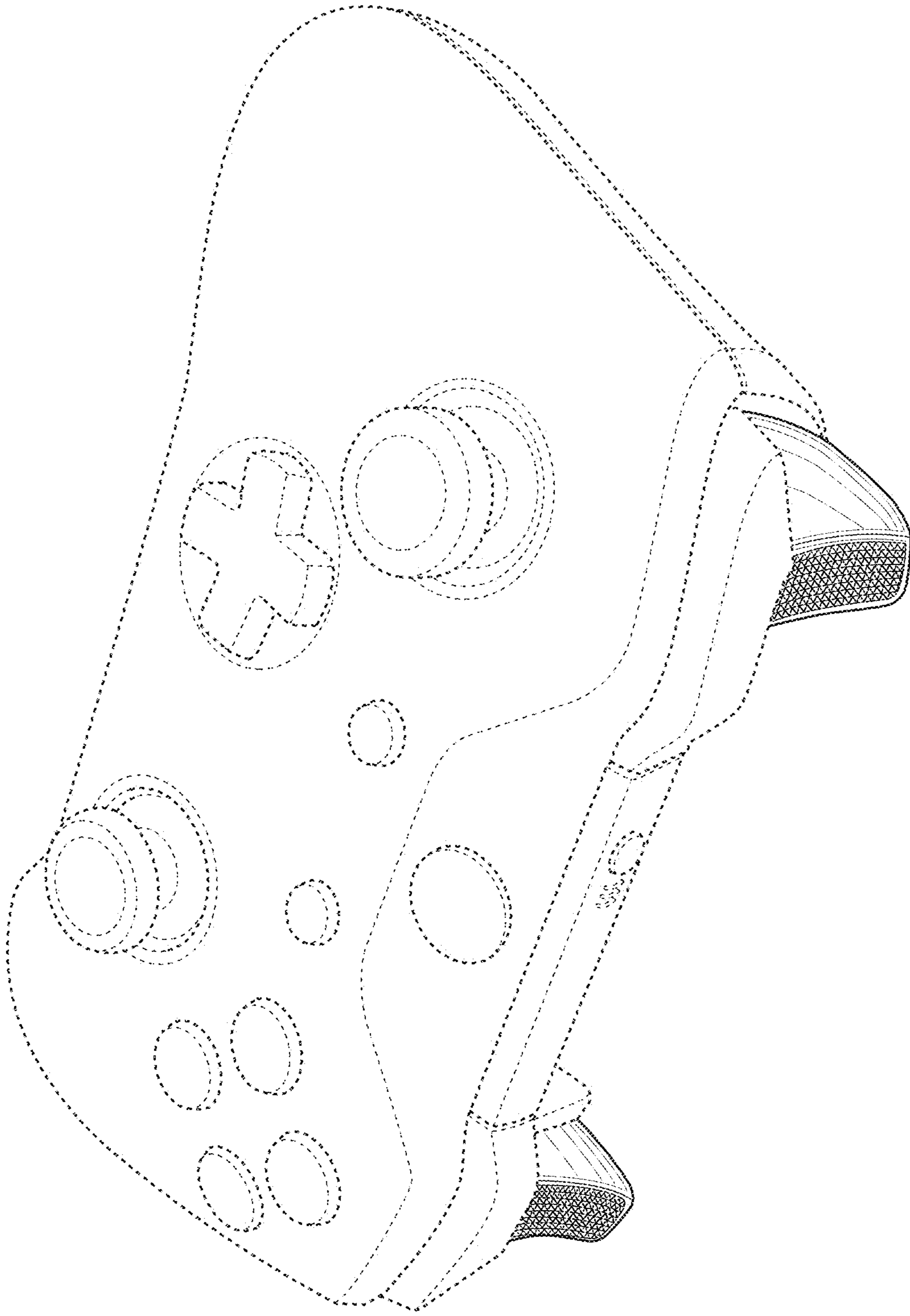


FIG. 1

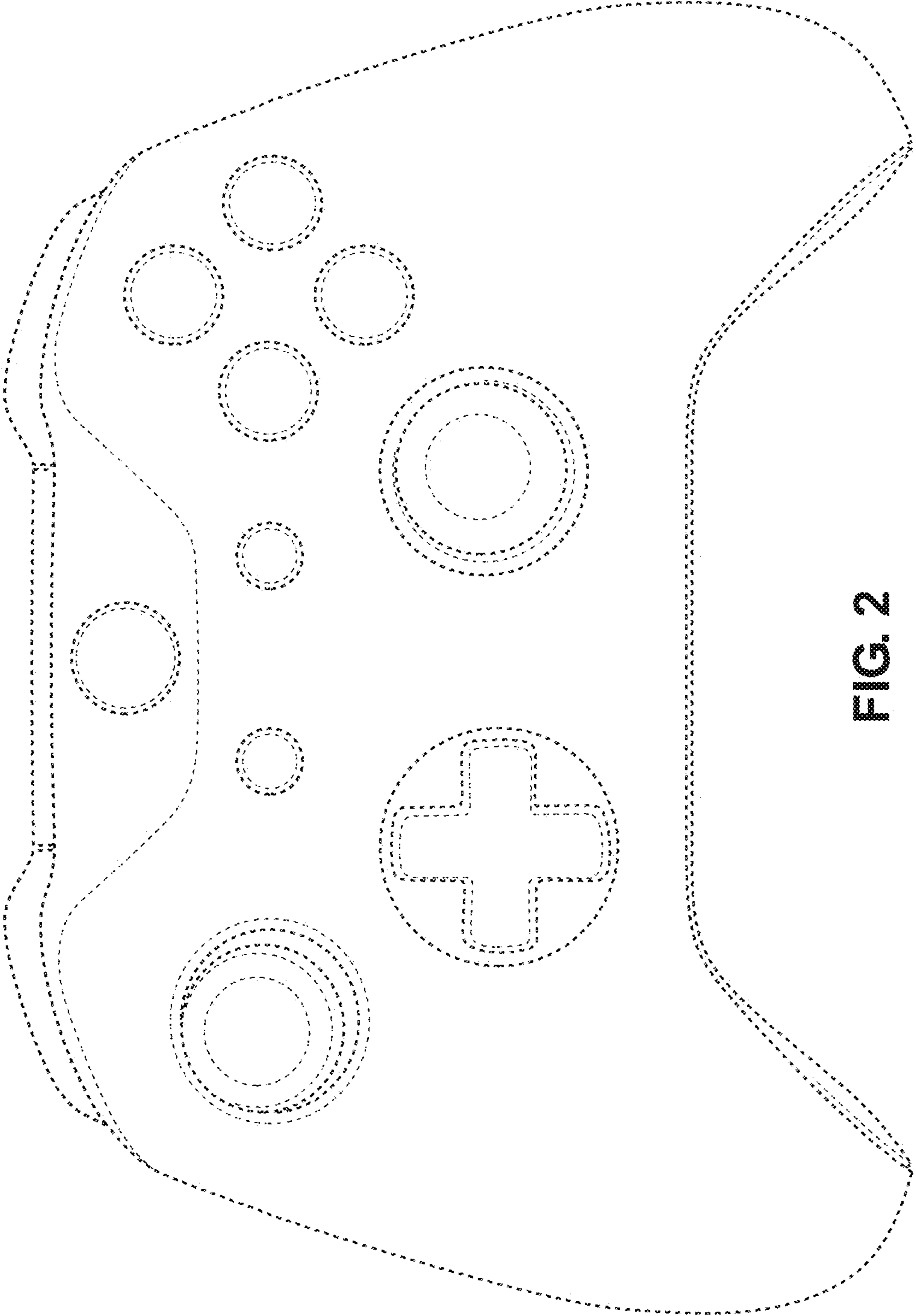


FIG. 2

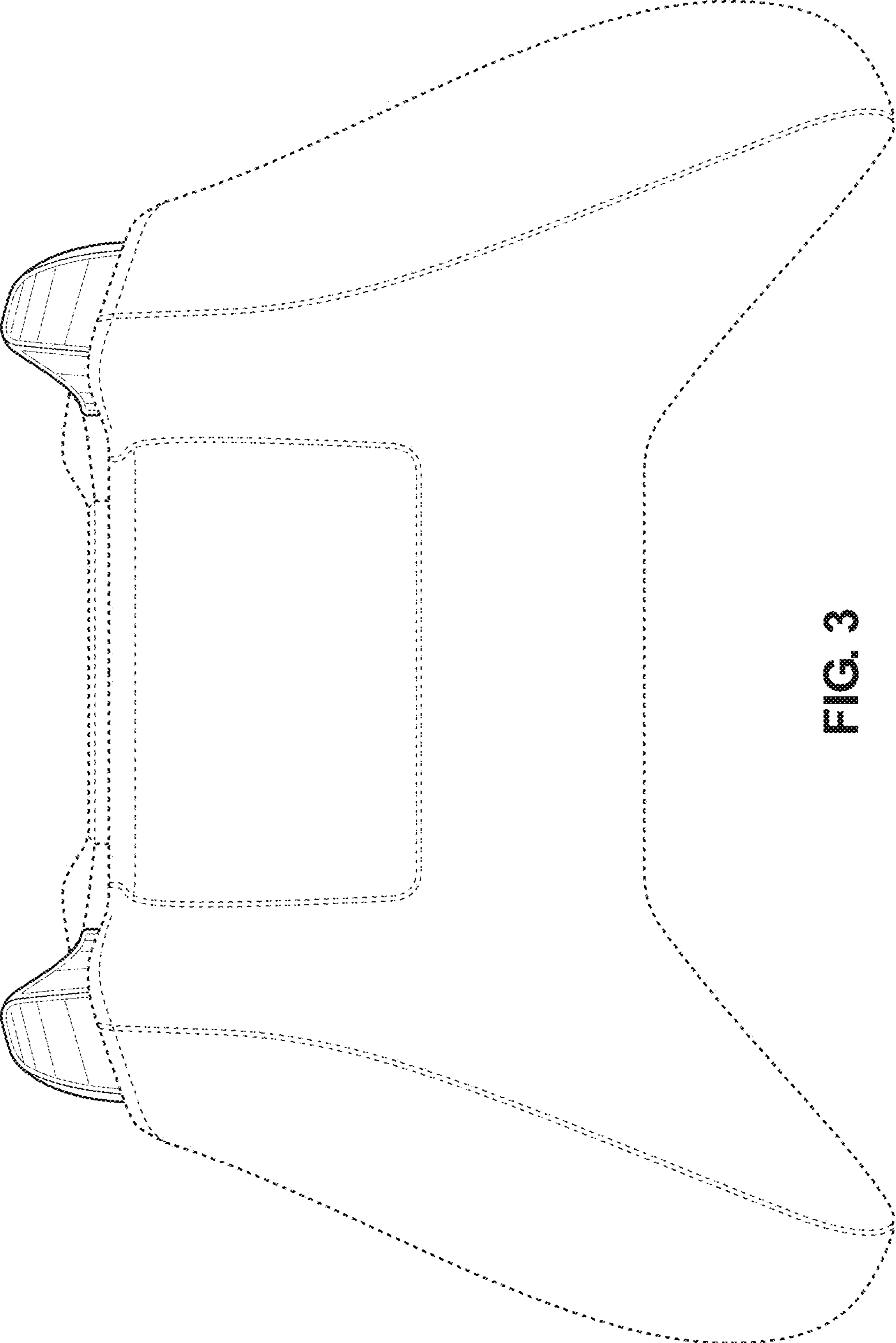


FIG. 3

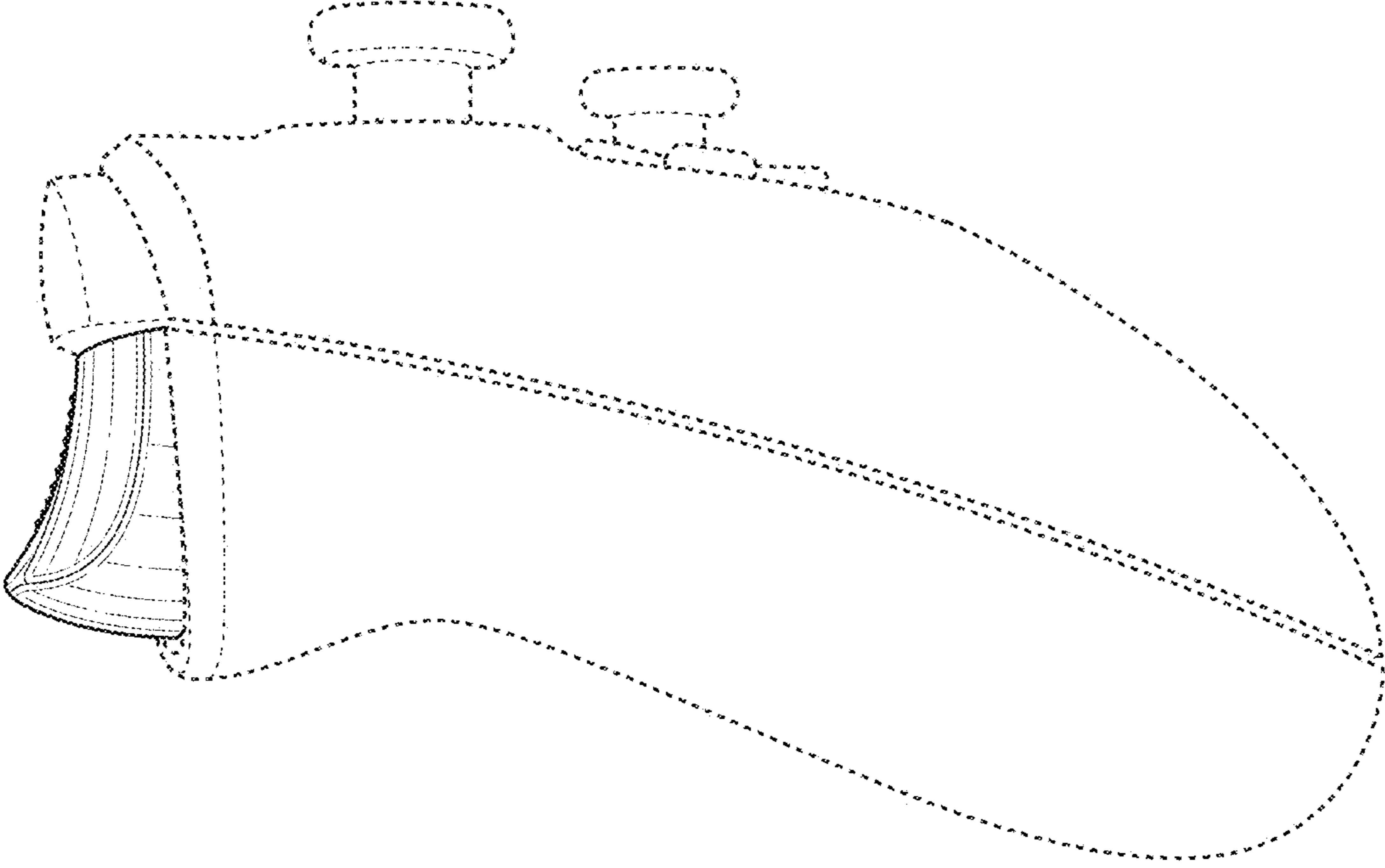


FIG. 4

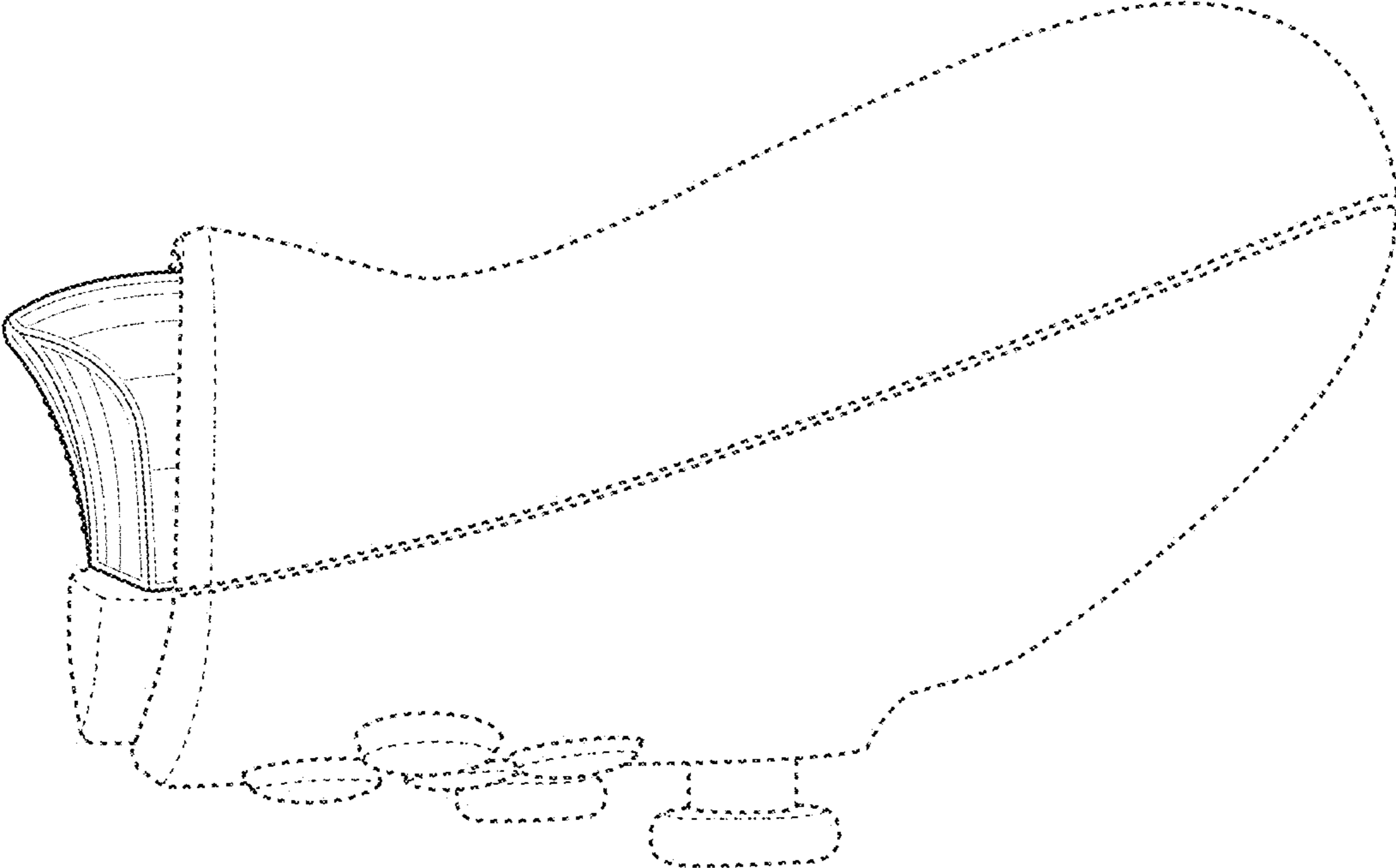


FIG. 5

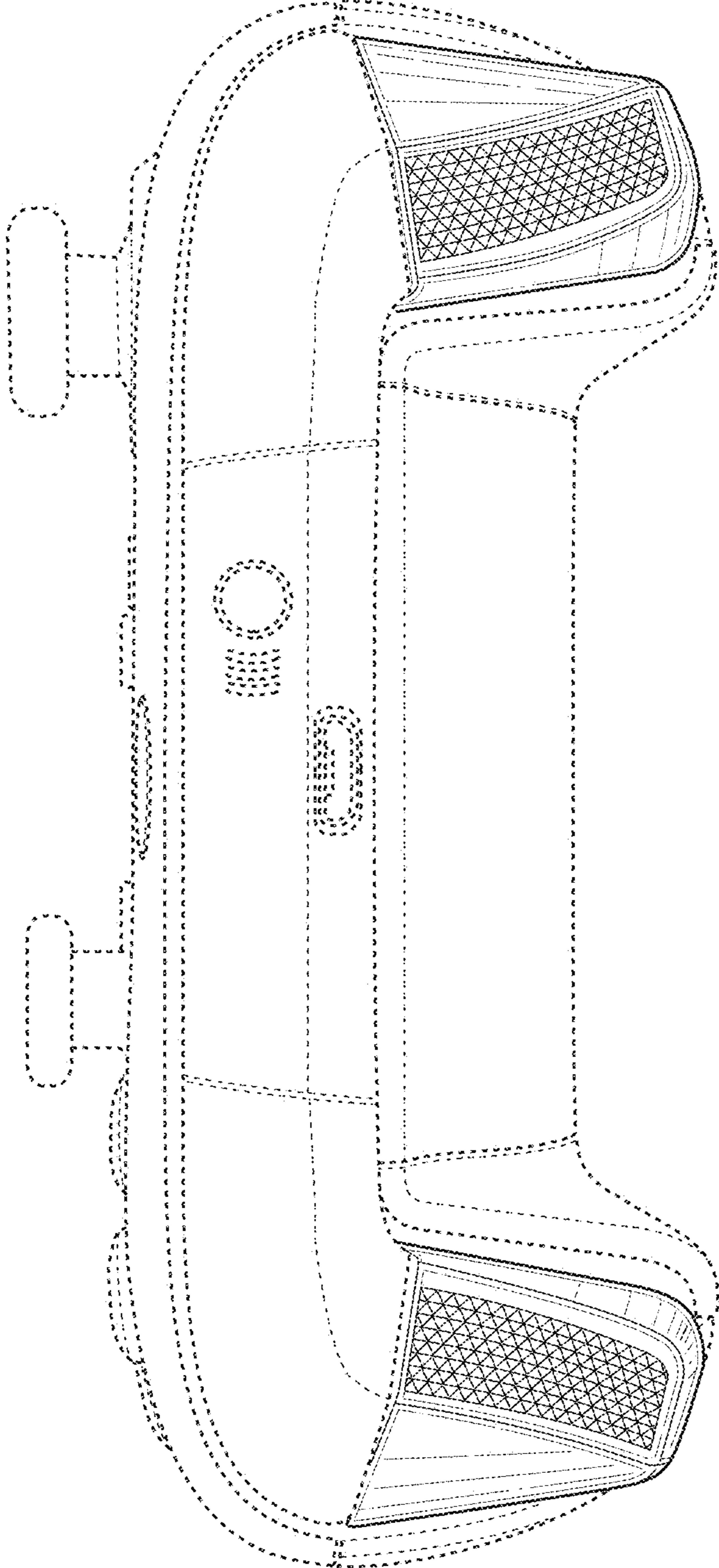


FIG. 6



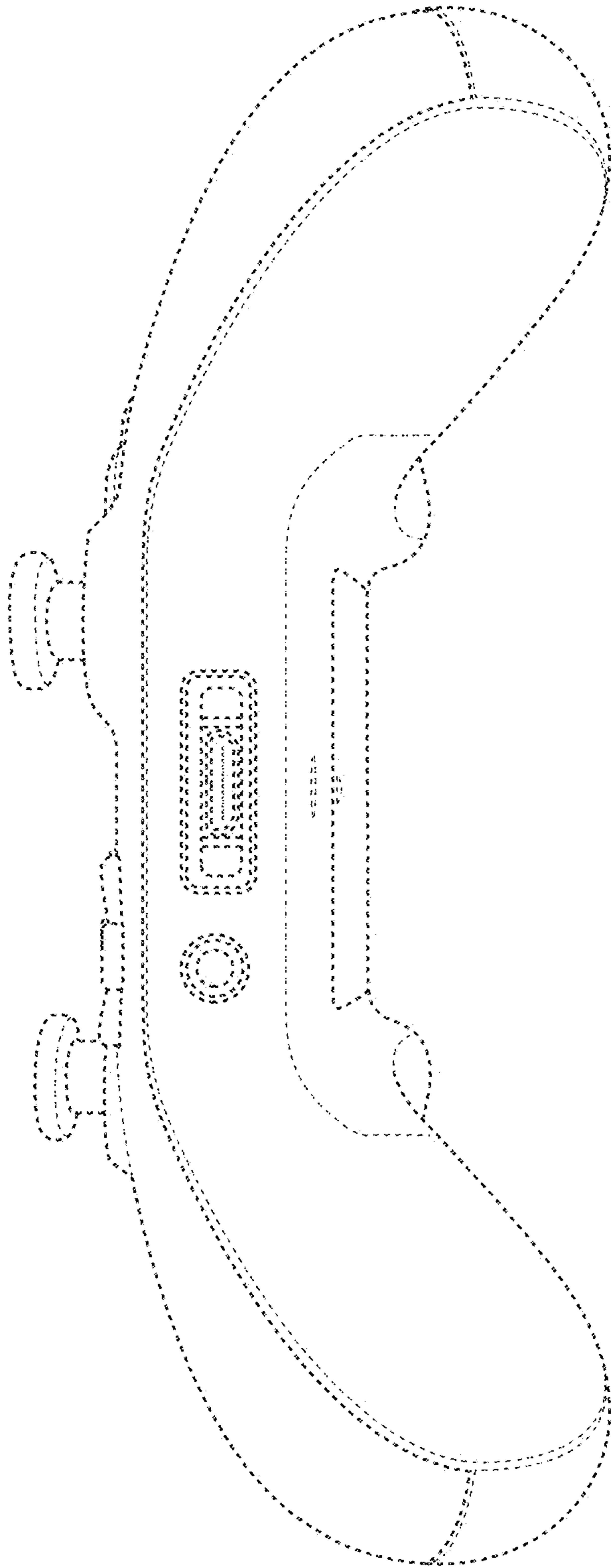


FIG. 7