



US00D872184S

(12) **United States Design Patent**  
**Chatterjee et al.**

(10) **Patent No.:** **US D872,184 S**  
(45) **Date of Patent:** **\*\* Jan. 7, 2020**

(54) **CONTROLLER**

(71) Applicant: **Microsoft Corporation**, Redmond, WA (US)

(72) Inventors: **Monique Chatterjee**, Seattle, WA (US); **Richard T. Hanks**, Arlington, MA (US); **Austin R. Porter**, Salem, MA (US); **Matthew C. Harvey**, Seattle, WA (US)

(73) Assignee: **Microsoft Corporation**, Redmond, WA (US)

(\*\*) Term: **15 Years**

(21) Appl. No.: **29/658,477**

(22) Filed: **Jul. 31, 2018**

(51) **LOC (12) Cl.** ..... **21-02**

(52) **U.S. Cl.**  
USPC ..... **D21/333**

(58) **Field of Classification Search**  
USPC ..... D7/396.4; D14/174, 218, 387–389, D14/400–418, 426–431, 443, 449–450, D14/454, 471, 511; D20/11, 19, 42; D21/333, 363, 368  
CPC ..... A63F 13/42; A63F 13/98  
See application file for complete search history.

(56) **References Cited**

**U.S. PATENT DOCUMENTS**

D522,011 S *	5/2006	Hayes	.....	D14/401
D522,012 S *	5/2006	Hayes	.....	D14/401
D563,480 S	3/2008	Blaseflug et al.		
D565,668 S	4/2008	Baseflug et al.		
D581,422 S	11/2008	Hayes et al.		
7,762,553 B2 *	7/2010	Harris	.....	A63F 13/98 273/148 B
D638,016 S *	5/2011	Ikeda	.....	D14/401
D658,178 S *	4/2012	Ikeda	.....	D14/401
D658,179 S *	4/2012	Ikeda	.....	D14/401
D659,140 S	5/2012	Ikeda et al.		

D685,434 S *	7/2013	Ali	.....	D14/401
D694,830 S	12/2013	Crowley et al.		
D708,615 S	7/2014	Delrue et al.		

(Continued)

**OTHER PUBLICATIONS**

Gizmoz n Gadgetz 2 x Digital Camo Xbox One Controller Skins Full Wrap Vinyl Sticker: Published Oct. 22, 2018 [online], site visited Sep. 9, 2019. Available from Internet URL: [https://www.amazon.co.uk/dp/B07JM1Q1DD/ref=cm\\_sw\\_r\\_tw\\_dp\\_U\\_x\\_cWDDbSZV4RET](https://www.amazon.co.uk/dp/B07JM1Q1DD/ref=cm_sw_r_tw_dp_U_x_cWDDbSZV4RET) (Year: 2018).\*

(Continued)

*Primary Examiner* — Jack Reickel  
*Assistant Examiner* — Melvin L Davis  
(74) *Attorney, Agent, or Firm* — Banner & Witcoff, Ltd.

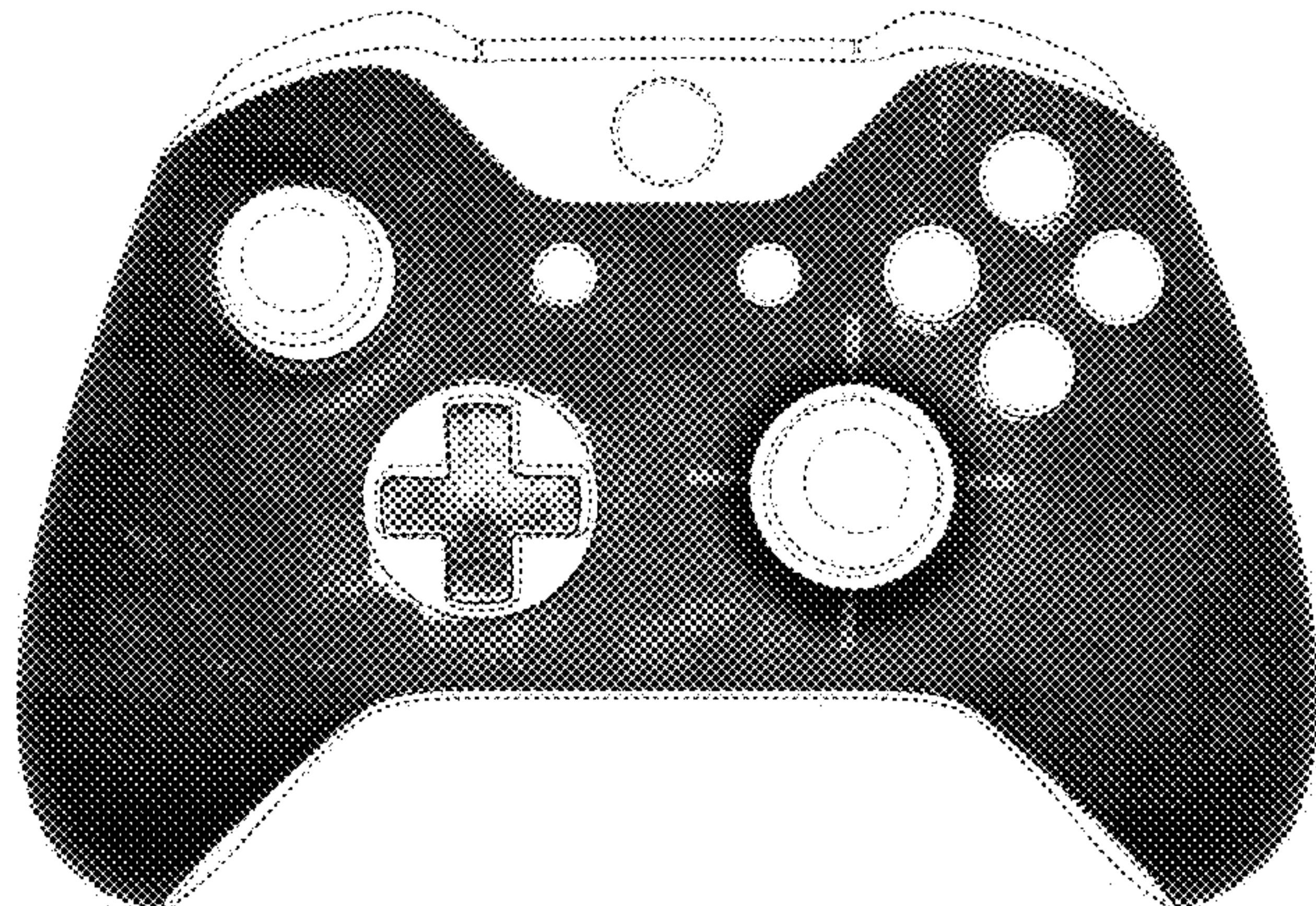
(57) **CLAIM**

The ornamental design for a controller, as shown and described.

**DESCRIPTION**

The patent or application file contains at least one drawing executed in color. Copies of this patent or patent application with color drawing(s) will be provided by the Office upon request and payment of the necessary fee.  
FIG. 1 is a bottom front perspective view of a controller showing our new design;  
FIG. 2 is a top front perspective view thereof;  
FIG. 3 is a front view thereof;  
FIG. 4 is a rear view thereof;  
FIG. 5 is a left side view thereof;  
FIG. 6 is a right side view thereof;  
FIG. 7 is a top view thereof; and,  
FIG. 8 is a bottom view thereof.  
The broken lines depicting the remainder of the controller show features that form no part of the claimed design.

**1 Claim, 8 Drawing Sheets**  
**(7 of 8 Drawing Sheet(s) Filed in Color)**





(56)

## References Cited

## U.S. PATENT DOCUMENTS

D709,499	S	7/2014	Morris et al.	
D709,882	S	7/2014	Morris et al.	
D715,865	S *	10/2014	Morris .....	D21/333
D745,607	S	12/2015	Jones	
D765,788	S	9/2016	Kujawski et al.	
D765,790	S	9/2016	Chatterjee et al.	
D765,791	S	9/2016	Chatterjee et al.	
D765,792	S	9/2016	Chatterjee et al.	
D765,793	S	9/2016	Chatterjee et al.	
D766,985	S	9/2016	Chatterjee et al.	
D786,251	S	5/2017	Chatterjee et al.	
D787,606	S	5/2017	Coe	
D788,853	S	6/2017	Chatterjee et al.	
D791,880	S	7/2017	Chatterjee et al.	
D794,129	S	8/2017	Kujawski et al.	
D794,717	S	8/2017	Kujawski et al.	
D795,350	S	8/2017	Chatterjee et al.	
D795,351	S	8/2017	Chatterjee et al.	
D795,960	S	8/2017	Chatterjee et al.	
D795,961	S	8/2017	Chatterjee et al.	
D795,962	S	8/2017	Chatterjee et al.	
D798,954	S	10/2017	Chatterjee et al.	
D799,599	S	10/2017	Kujawski et al.	
D799,600	S	10/2017	Chatterjee et al.	
D816,170	S	4/2018	Chatterjee et al.	
D825,005	S	8/2018	Chatterjee et al.	
D847,265	S *	4/2019	Chatterjee .....	D21/333
D847,903	S *	5/2019	Chatterjee .....	D21/333
D847,904	S *	5/2019	Chatterjee .....	D21/333
D855,703	S *	8/2019	Chatterjee .....	D21/333
2013/0130800	A1 *	5/2013	Sirilux .....	A63F 13/42 463/37
2016/0317925	A1	11/2016	Miller	
2016/0354685	A1	12/2016	Kujawski et al.	
2016/0361635	A1	12/2016	Schmitz	
2016/0361639	A1	12/2016	Schmitz et al.	
2018/0207523	A1	7/2018	Lyden	

## OTHER PUBLICATIONS

9CDeer 1 Piece of Studded Protective Customize Digital Camo: Published Mar. 3, 2018 [online], site visited Sep. 9, 2019. Available from Internet URL: [https://www.amazon.co.uk/dp/B07G257L6G/ref=cm\\_sw\\_r\\_tw\\_dp\\_U\\_x\\_7iWDDbAP1OXJD](https://www.amazon.co.uk/dp/B07G257L6G/ref=cm_sw_r_tw_dp_U_x_7iWDDbAP1OXJD) (Year: 2018).\*

Xbox One Controller/Gamepad Skin / Cover / Vinyl Wrap: Published Aug. 19, 2015 [online], site visited Sep. 9, 2019. Available from Internet URL: [https://www.amazon.co.uk/dp/B0017W0X1O/ref=cm\\_sw\\_r\\_tw\\_dp\\_U\\_x\\_AwWDDb9HSV1V4](https://www.amazon.co.uk/dp/B0017W0X1O/ref=cm_sw_r_tw_dp_U_x_AwWDDb9HSV1V4) (Year: 2015).\*

Skinit Digital Camo Xbox One Controller Skin: Published: Feb. 22, 2016 [online], site visited Sep. 9, 2019. Available from Internet URL: [https://www.amazon.com/dp/B01C3GNRIA/ref=cm\\_sw\\_r\\_tw\\_dp\\_U\\_x\\_RFWDDb5AG16AK](https://www.amazon.com/dp/B01C3GNRIA/ref=cm_sw_r_tw_dp_U_x_RFWDDb5AG16AK) (Year: 2016).\*

“Xbox Wireless Controller—Minecraft Creeper”; Microsoft; retrieved Jan. 23, 2019; disclosure date unknown but believed to be prior to the filing date of the present application; URL: [https://www.microsoft.com/en-us/p/xbox-wireless-controller-minecraft-creeper/8stgmjplqw9w/lhs6\\_cid=msft\\_web\\_collection&activetab=pivot:overviewtab](https://www.microsoft.com/en-us/p/xbox-wireless-controller-minecraft-creeper/8stgmjplqw9w/lhs6_cid=msft_web_collection&activetab=pivot:overviewtab).

“Xbox Wireless Controller—Minecraft pig”; Microsoft; retrieved Jan. 23, 2019; disclosure date unknown but believed to be prior to the filing date of the present application; URL: [https://www.microsoft.com/en-us/p/xbox-wireless-controller-minecraft-pig/8mh5xk4s0tv2/b0gl?cid=msft\\_web\\_collection&activetab=pivot:overviewtab](https://www.microsoft.com/en-us/p/xbox-wireless-controller-minecraft-pig/8mh5xk4s0tv2/b0gl?cid=msft_web_collection&activetab=pivot:overviewtab).

“Controller Gear Xbox Pro Charging Stand Sea of Thieves Limited Edition”; Microsoft; retrieved Jan. 23, 2019; disclosure date unknown but believed to be prior to the filing date of the present application; URL: [https://www.microsoft.com/en-us/p/controller-gear-xbox-pro-charging-stand-sea-of-thieves-limited-edition/92lnrdv1gzqn/4bv7?cid=msft\\_web\\_collection&activetab=pivot:overviewtab](https://www.microsoft.com/en-us/p/controller-gear-xbox-pro-charging-stand-sea-of-thieves-limited-edition/92lnrdv1gzqn/4bv7?cid=msft_web_collection&activetab=pivot:overviewtab).

“Xbox Wireless Controller—Armed Forces II Special Edition”; Microsoft; retrieved Jan. 23, 2019; disclosure date unknown but believed to be prior to the filing date of the present application; URL: [https://www.microsoft.com/en-us/p/xbox-wireless-controller-armed-forces-ii-special-edition/8ml3220f5ld0/gdzt?cid=msft\\_web\\_collection&activetab=pivot:overviewtab](https://www.microsoft.com/en-us/p/xbox-wireless-controller-armed-forces-ii-special-edition/8ml3220f5ld0/gdzt?cid=msft_web_collection&activetab=pivot:overviewtab).

“Art 3D 5 Piece Peel and Stick Tile”, posted Jun. 16, 2016 (online), (retrieved Oct. 23, 2018). Retrieved from Internet: [https://www.amazon.com/Art3d-3acksplash-Kitchen-Aluminum-Surface/product-reviews/30748BKHCF/ref:cm\\_cr\\_getrd\\_paging\\_btm\\_6?reviews&sortBy:recent&pageNumber:6](https://www.amazon.com/Art3d-3acksplash-Kitchen-Aluminum-Surface/product-reviews/30748BKHCF/ref:cm_cr_getrd_paging_btm_6?reviews&sortBy:recent&pageNumber:6).

“Tavertine Roman”, posted Feb. 13, 2015 (online), (retrieved Oct. 23, 2018). Retrieved from Internet: [https://www.amazon.com/Travertine-Versailles-pattern-unfilled-Chiseled/dp/B0032MSJ24/ref:sr\\_1\\_fkmrOkeywords-Scabos+Roman+Pattern+Tumbled+Random+Size+d+Stone+Mosaic+Tile#customerReviews](https://www.amazon.com/Travertine-Versailles-pattern-unfilled-Chiseled/dp/B0032MSJ24/ref:sr_1_fkmrOkeywords-Scabos+Roman+Pattern+Tumbled+Random+Size+d+Stone+Mosaic+Tile#customerReviews).

Minecraft Wiki; “Grass”; Publication date unknown but believed to be prior to filing date of present application; Date Accessed: Jul. 26, 2017; URL: <http://minecraft.wikia.com/wiki/Grass>.

Official Minecraft Wiki; “Creeper”; Publication date unknown but believed to be prior to filing date of present application; Date Accessed: Jul. 26, 2017; URL: <https://minecraft.gamepedia.com/Creeper>.

Official Minecraft Wiki; “Pig”; Publication date unknown but believed to be prior to filing date of present application; Date Accessed: Jul. 26, 2017; URL: <https://minecraft.gamepedia.com/Pig>.

\* cited by examiner





FIG. 1





FIG. 2



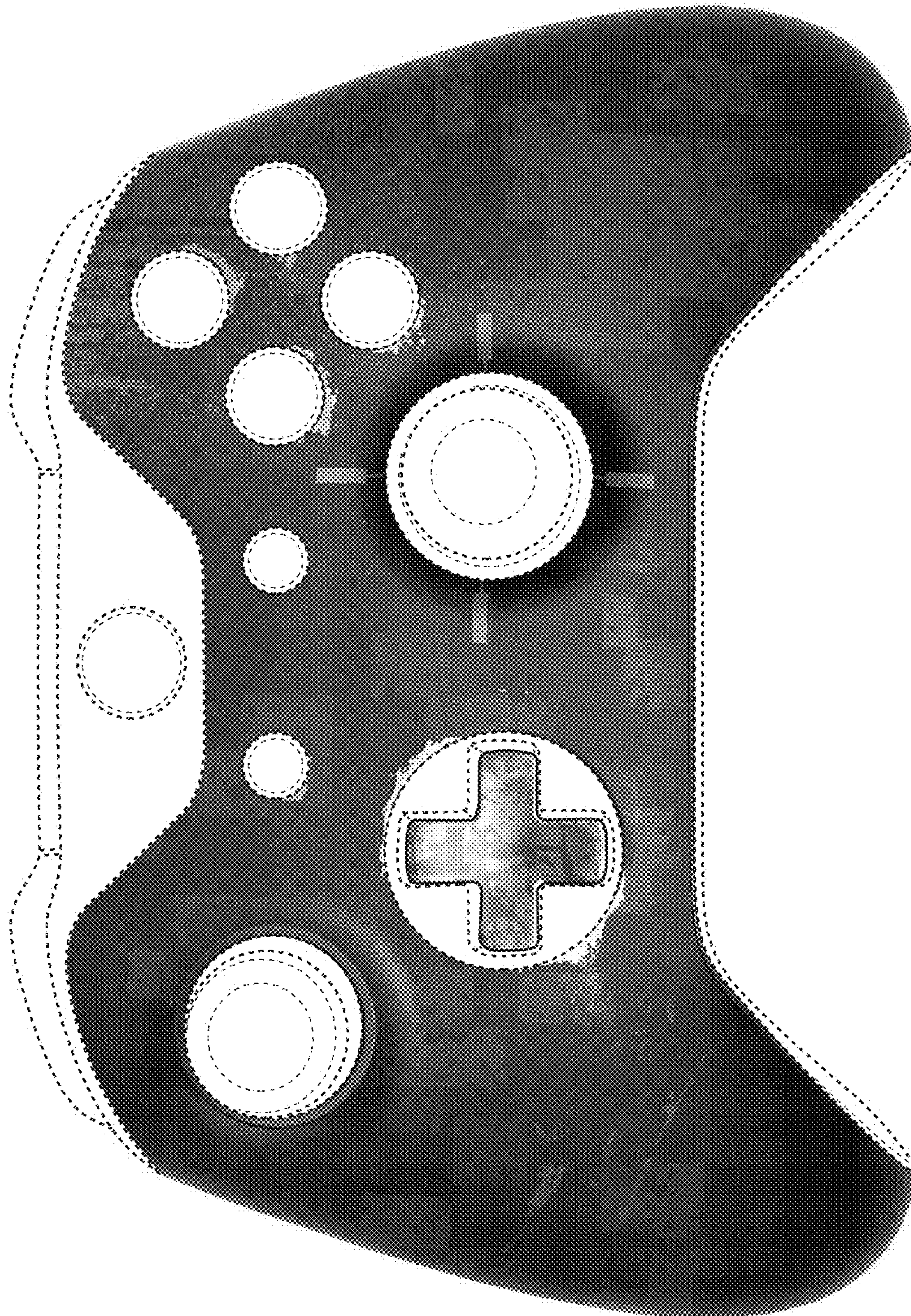


FIG. 3



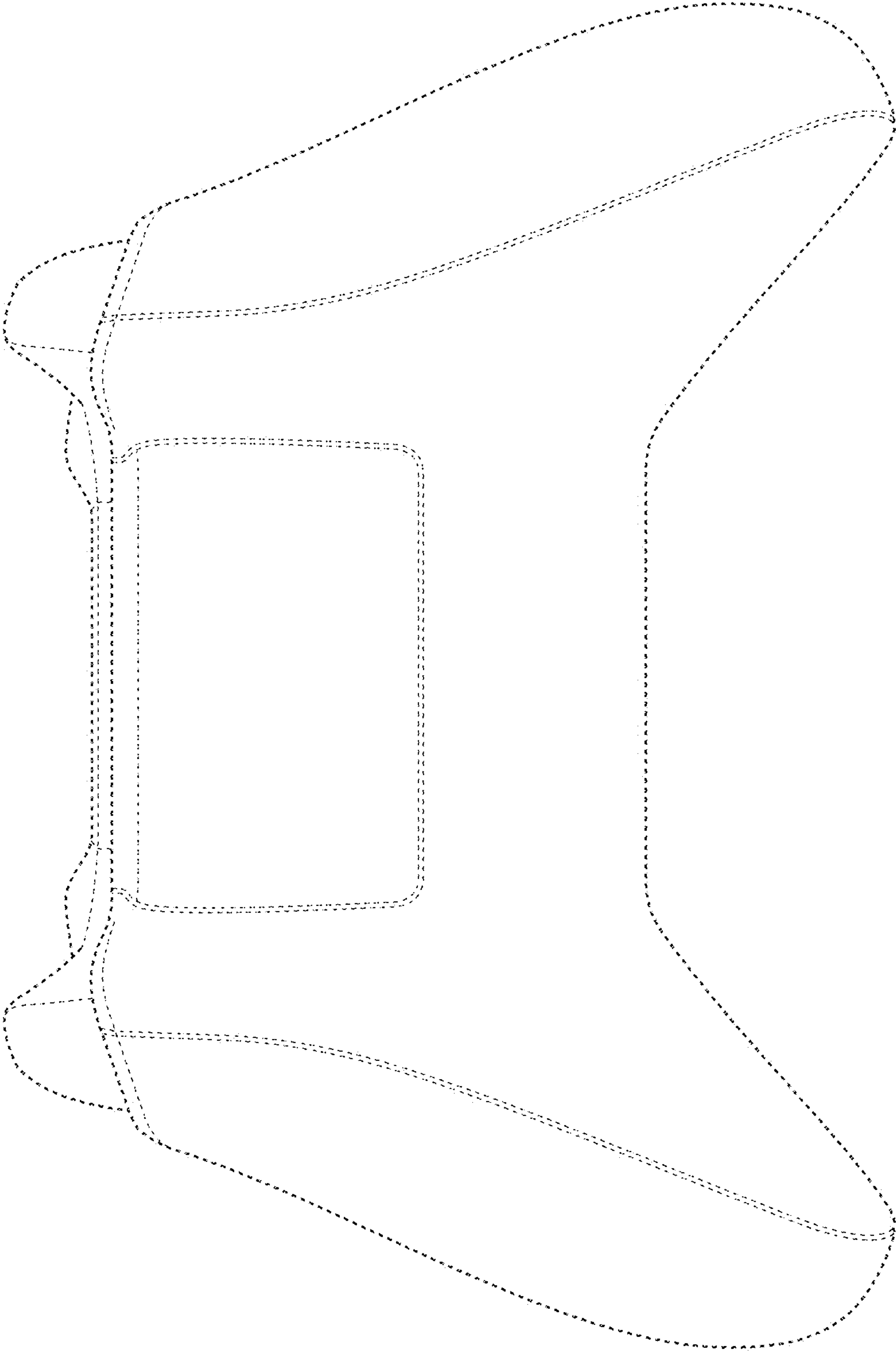


FIG. 4

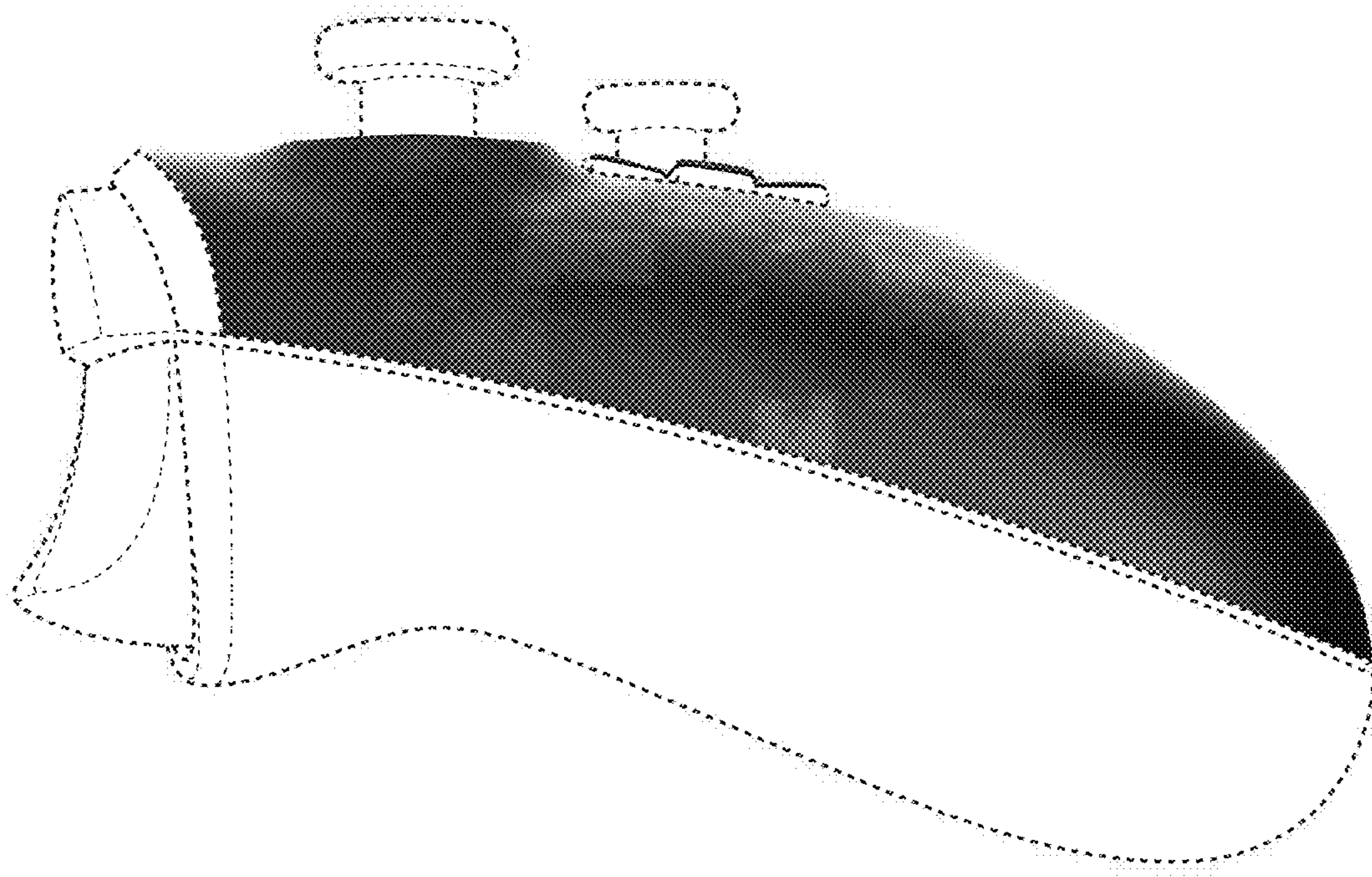


FIG. 5

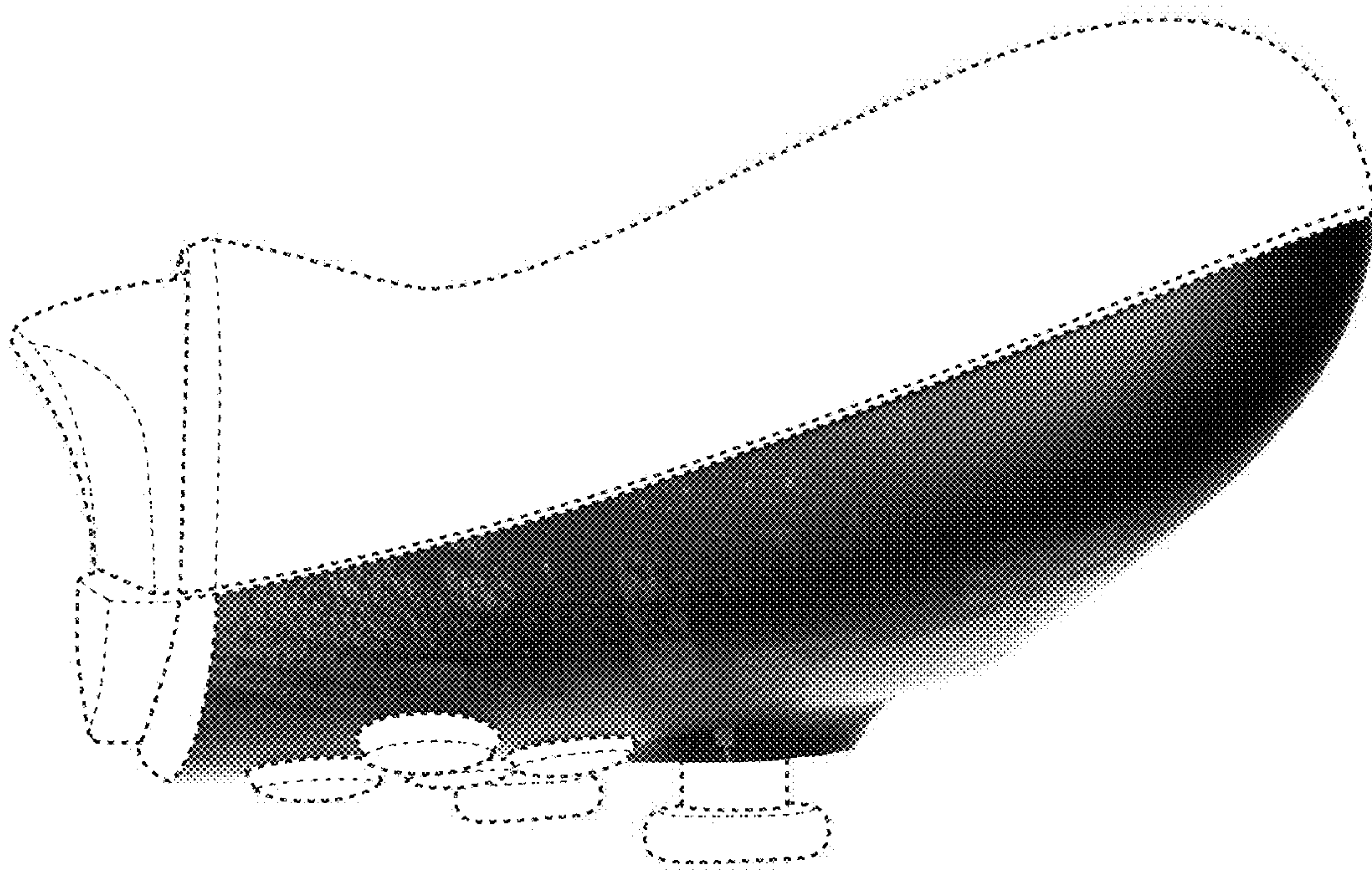


FIG. 6



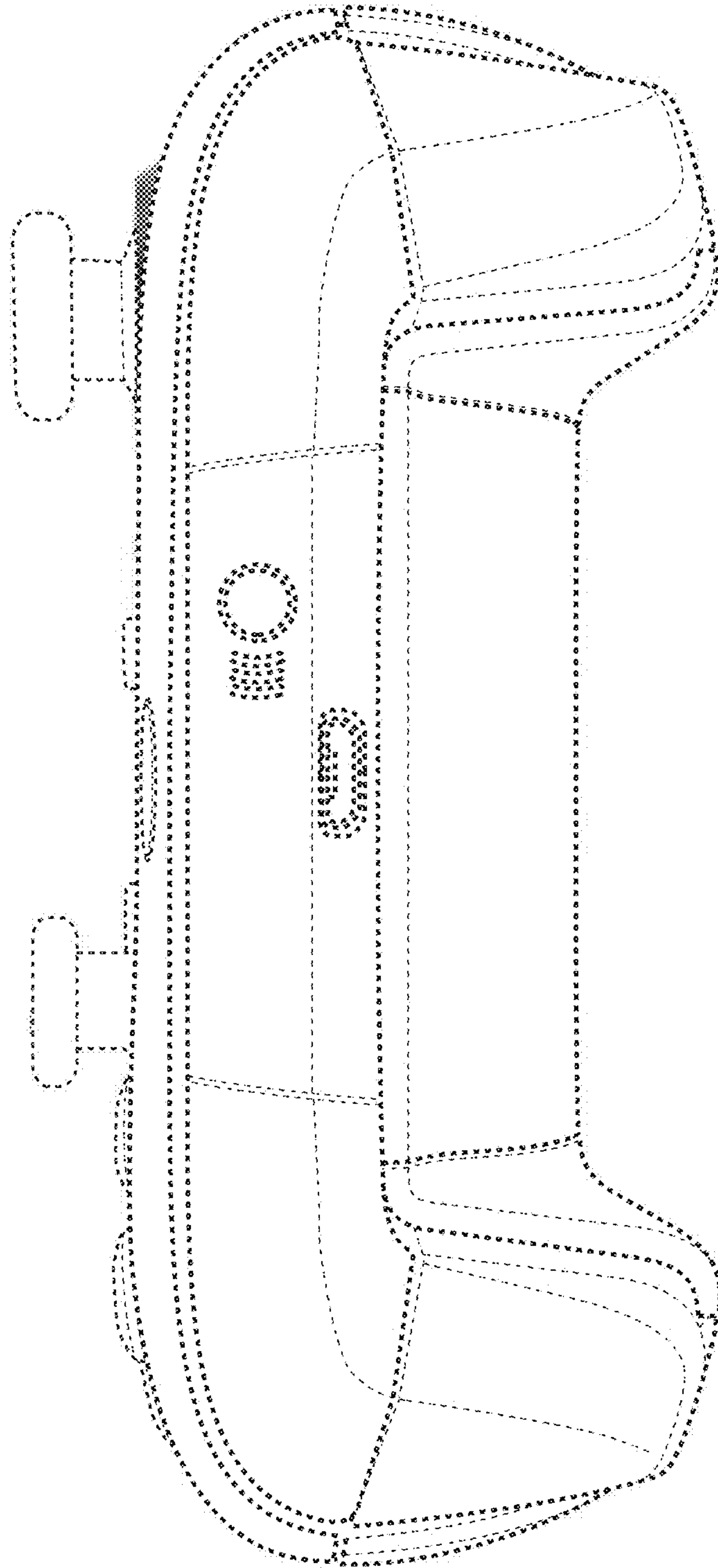


FIG. 7



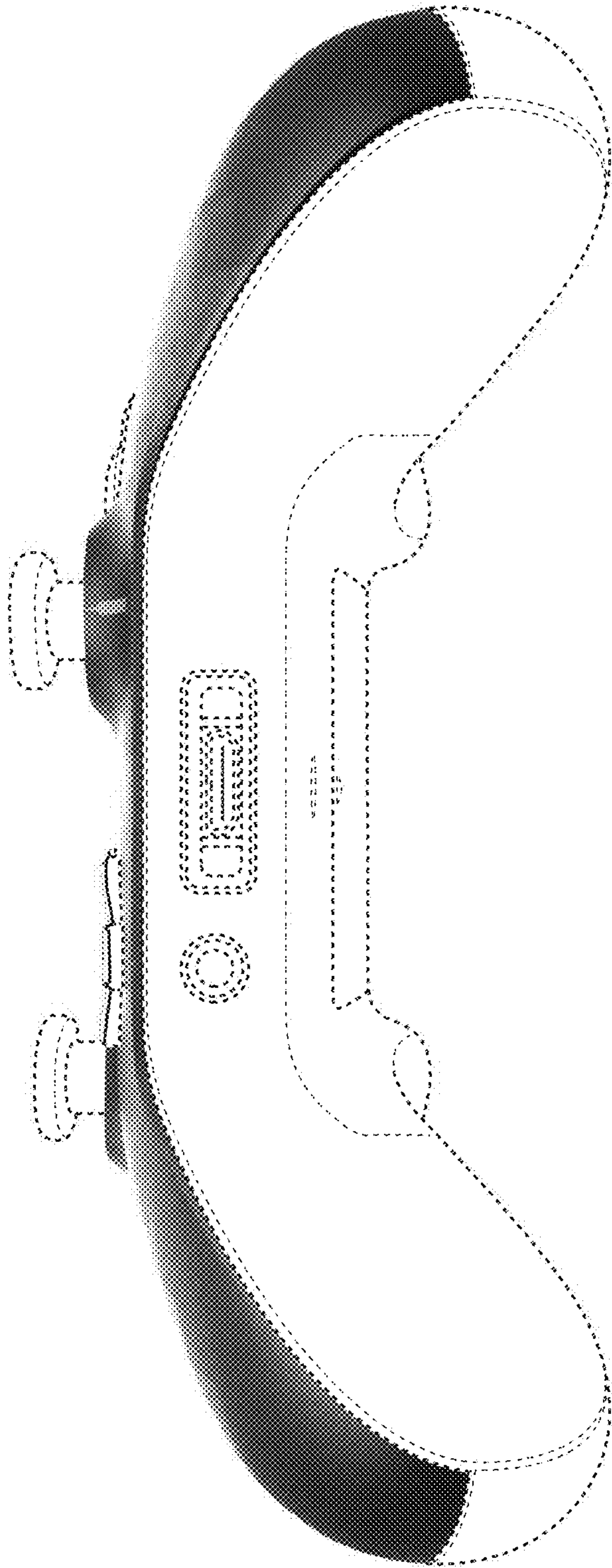


FIG. 8