



US00D872178S

(12) **United States Design Patent**
Zhu

(10) **Patent No.:** **US D872,178 S**
(45) **Date of Patent:** **** Jan. 7, 2020**

(54) **ERASER**
(71) Applicant: **Ningbo SKL International Co., Ltd.**,
Ningbo, Zhejiang Province (CN)
(72) Inventor: **Lingfeng Zhu**, Ningbo (CN)
(73) Assignee: **Ningbo SKL International CO., LTD.**,
Ningbo, Zhejiang Province (CN)

3,262,145 A * 7/1966 Carlson B43L 21/00
15/244.1
D218,679 S * 9/1970 Current D3/20
3,748,684 A * 7/1973 Fraser B43L 21/00
15/244.1
3,797,061 A * 3/1974 Statler B43L 21/00
15/223
4,098,430 A * 7/1978 Mattheis B65D 43/162
220/283
4,391,013 A * 7/1983 Janssen B05C 17/10
15/105.5

(**) Term: **15 Years**
(21) Appl. No.: **29/641,652**
(22) Filed: **Mar. 23, 2018**

(Continued)

Primary Examiner — Elizabeth A. Albert
(74) *Attorney, Agent, or Firm* — Jeanette Meng
Nakagawa

(30) **Foreign Application Priority Data**

Jan. 26, 2018 (CN) 2018 3 0055732

(51) **LOC (12) Cl.** **19-06**

(52) **U.S. Cl.**
USPC **D19/187**

(58) **Field of Classification Search**
USPC D19/187-189; D3/203.2; D9/423, 424,
D9/560, 900
CPC B43L 21/00; B43L 21/02; B43L 19/0006;
B43L 19/0068; B43L 19/0018; B43L
19/0056; B43L 19/0087; B43L 19/04
See application file for complete search history.

(57) **CLAIM**

The ornamental design for an eraser, as shown and described.

DESCRIPTION

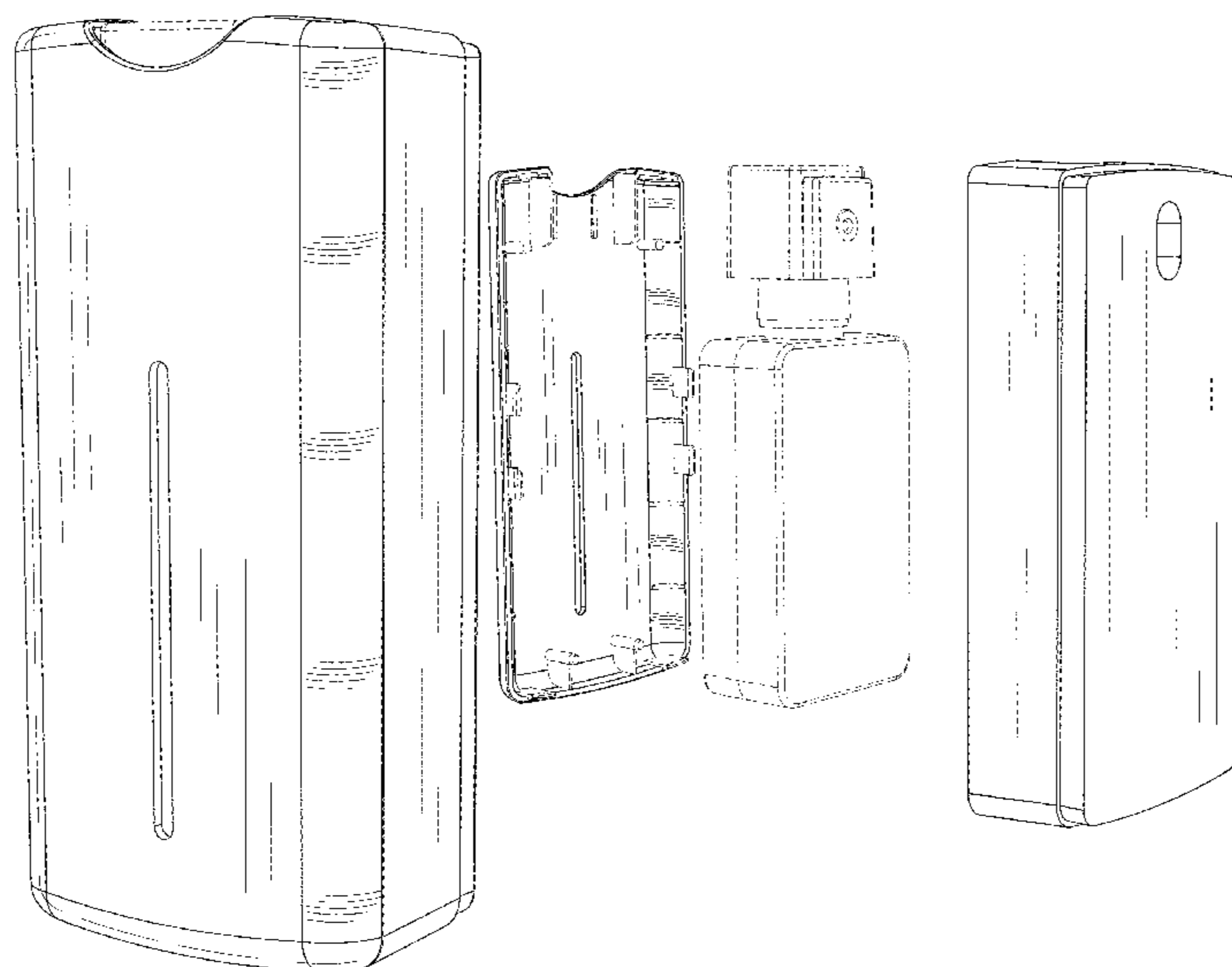
FIG. 1 is a front perspective view from right of an eraser showing my new design;
FIG. 2 is a front view thereof;
FIG. 3 is a right side view thereof;
FIG. 4 is a back view thereof;
FIG. 5 is a left view thereof;
FIG. 6 is a top view thereof;
FIG. 7 is a bottom view thereof;
FIG. 8 is a front perspective view of the eraser in an opened state;
FIG. 9 is a back perspective view thereof;
FIG. 10 is a front view thereof;
FIG. 11 is a back perspective view of the eraser with a bottle removed; and,
FIG. 12 is a front perspective view of the eraser with the bottle removed.
The broken lines in FIGS. 1, 2, 4, 6, 8, 9, 10, 11 and 12 are included for the purpose of showing portions of the eraser that form no part of the claimed design.

(56) **References Cited**

U.S. PATENT DOCUMENTS

2,257,682 A * 9/1941 Hermani B65D 43/165
220/283
D135,588 S * 4/1943 Naranick D9/424
2,492,864 A * 12/1949 Hermani B65D 43/164
206/540
D159,884 S * 8/1950 Baldanza D9/424
2,648,863 A * 8/1953 Darling B43L 21/00
15/231
2,906,428 A * 9/1959 Fralick A45C 11/24
220/283

1 Claim, 11 Drawing Sheets



(56)

References Cited

U.S. PATENT DOCUMENTS

4,697,301 A * 10/1987 Palmans B43L 21/00
15/223
D333,532 S * 2/1993 Campbell D27/189
D384,945 S * 10/1997 Takada D14/420
D385,787 S * 11/1997 Takano D9/423
D469,607 S * 2/2003 Wolff D3/294
D519,844 S * 5/2006 Mansau D9/573
D577,600 S * 9/2008 Kim D9/573
D585,733 S * 2/2009 Feibelman D9/418
D601,428 S * 10/2009 Rica D9/544
D641,327 S * 7/2011 Falakfarsa D14/125
D648,794 S * 11/2011 Yuan D19/187
D753,500 S * 4/2016 Chertoff D9/546
D763,054 S * 8/2016 Ali D8/90
9,814,303 B1 * 11/2017 Waitesmith A46B 17/065
D814,308 S * 4/2018 Aebi D9/560
D830,059 S * 10/2018 Hartt D3/302
2004/0037612 A1 * 2/2004 Roberson B43L 19/0018
401/123
2007/0044263 A1 * 3/2007 Deng B43L 21/00
15/244.3
2018/0056708 A1 * 3/2018 Rogers B43L 19/0056
2018/0056709 A1 * 3/2018 Rogers B43L 19/0062
2019/0118573 A1 * 4/2019 Nelson, Jr. B43L 19/00

* cited by examiner

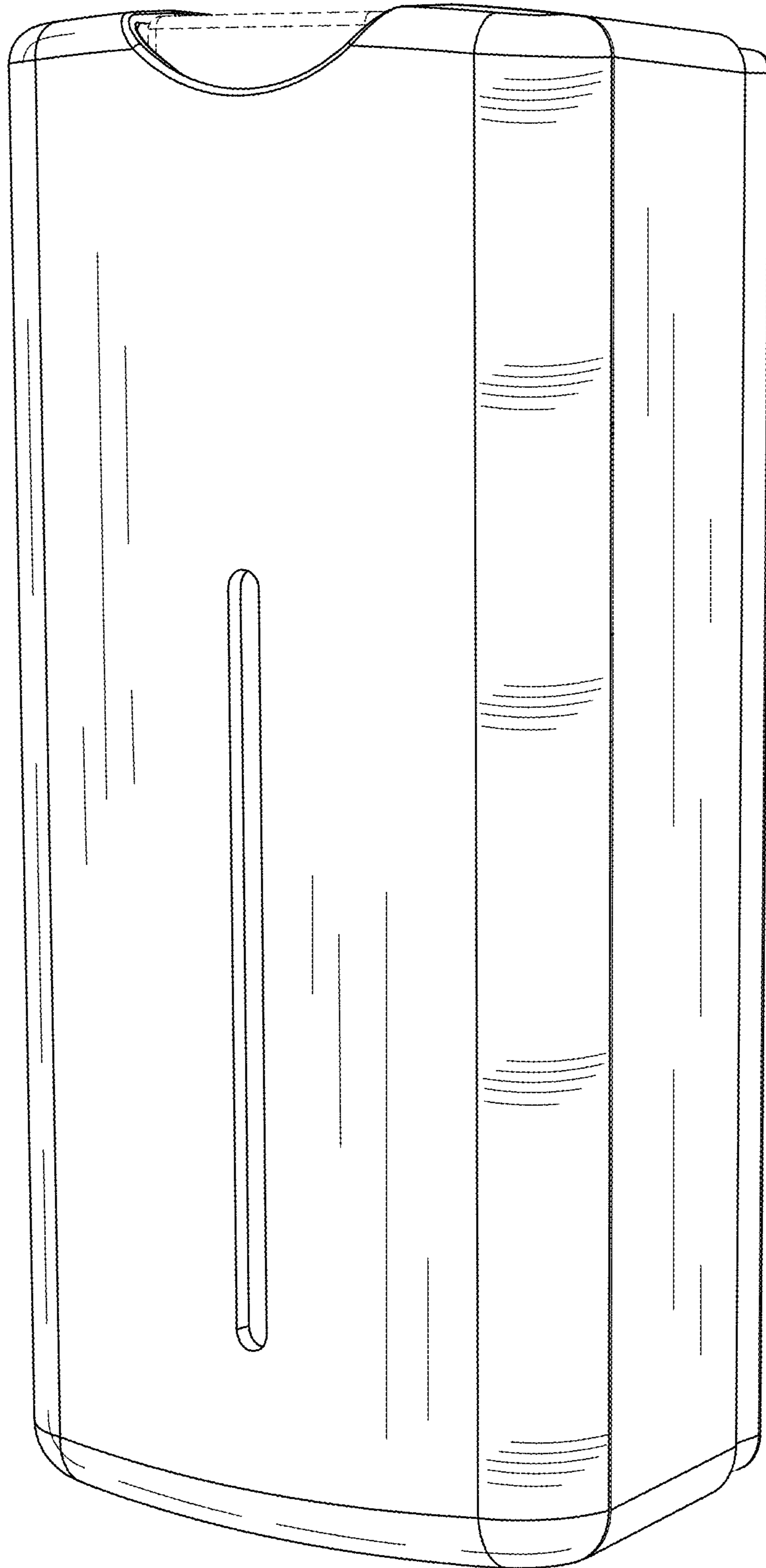


FIG. 1

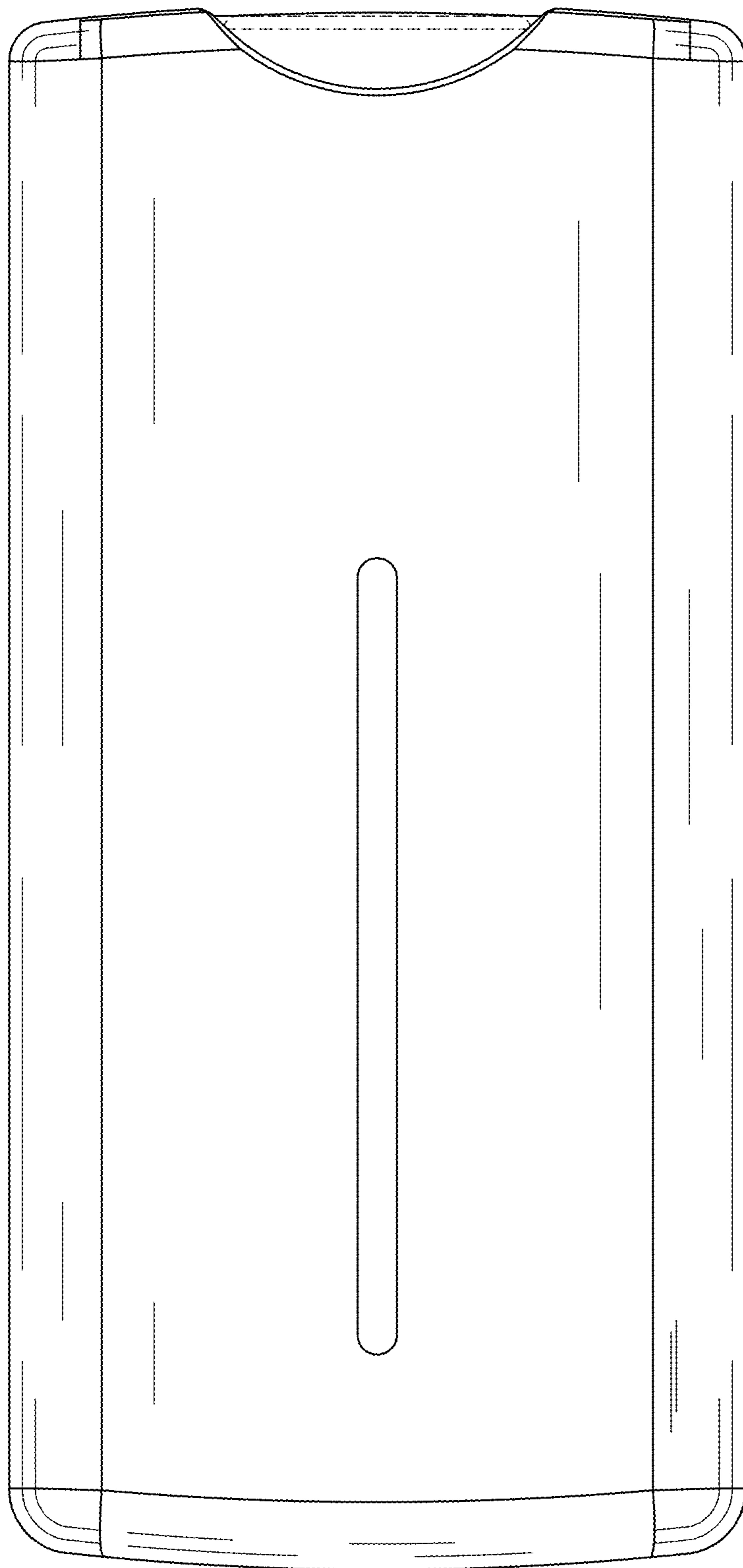


FIG. 2

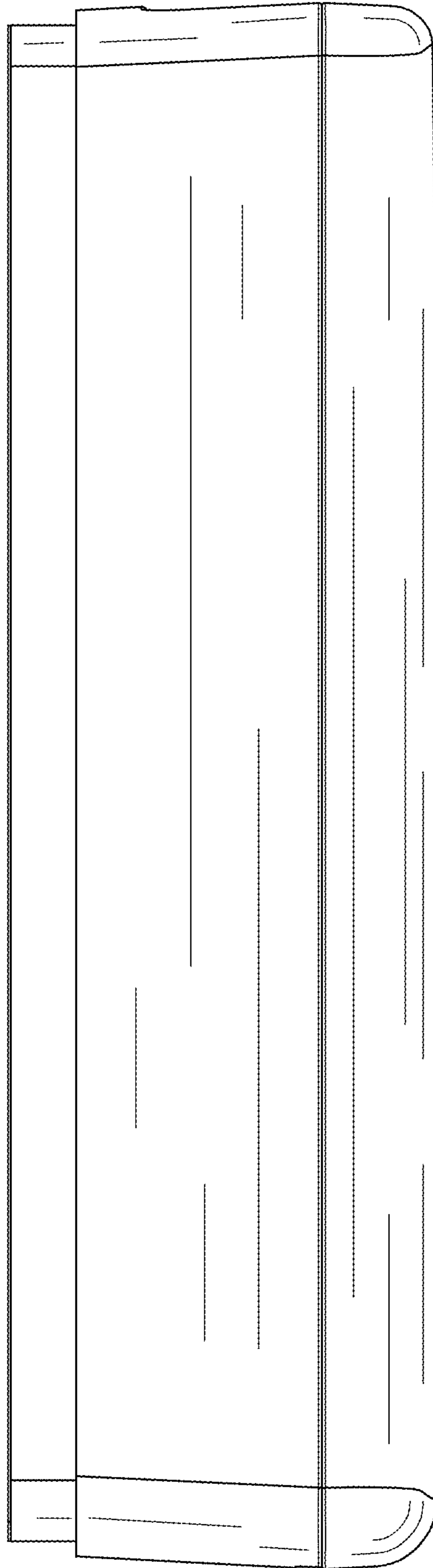


FIG. 3

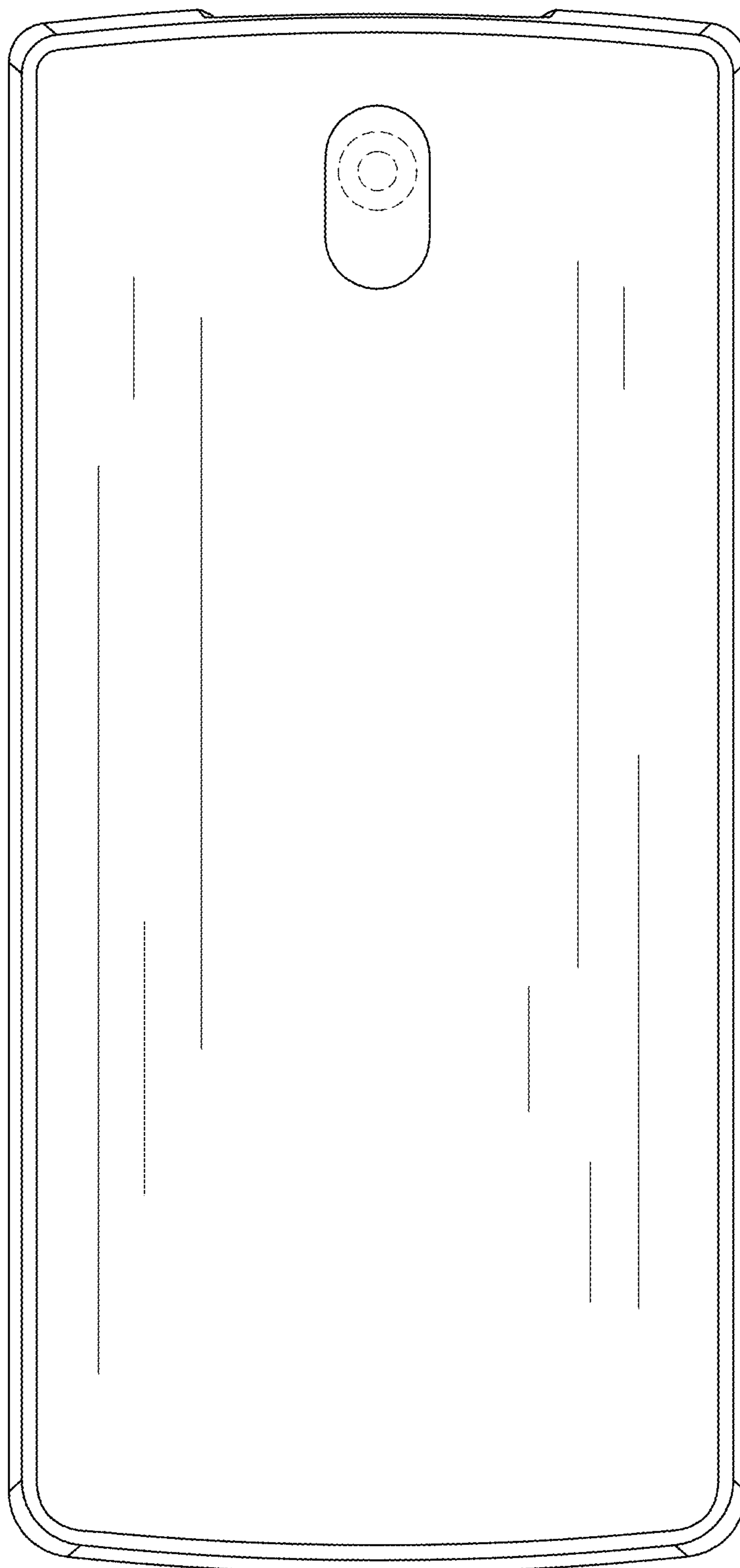


FIG. 4

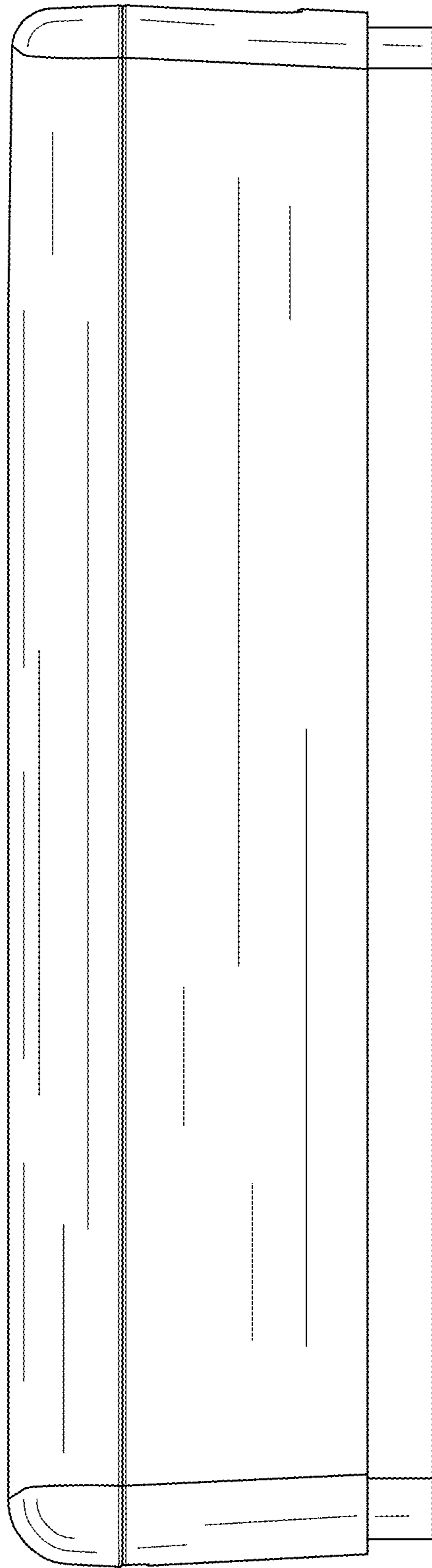


FIG. 5

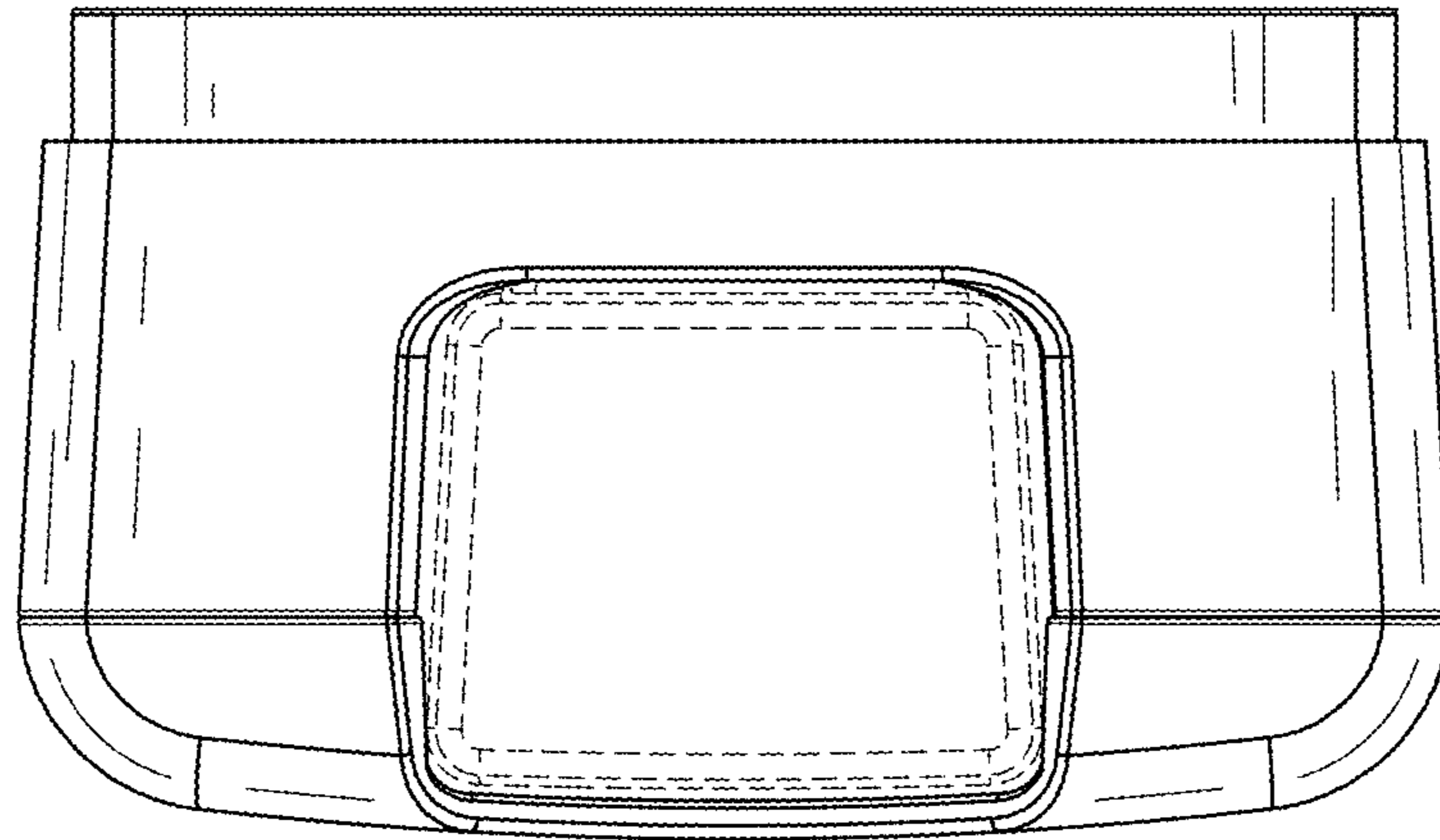


FIG. 6

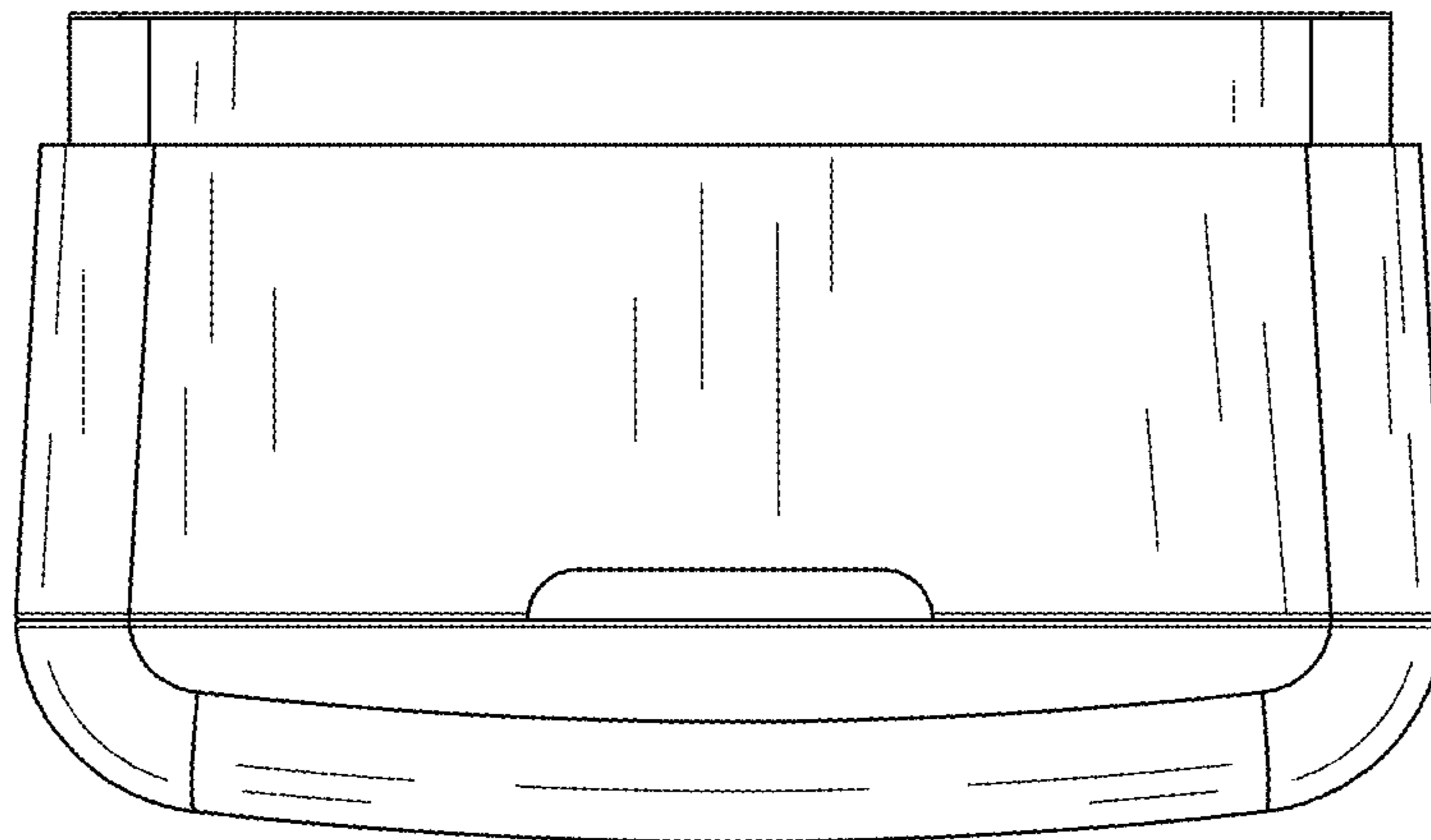


FIG. 7

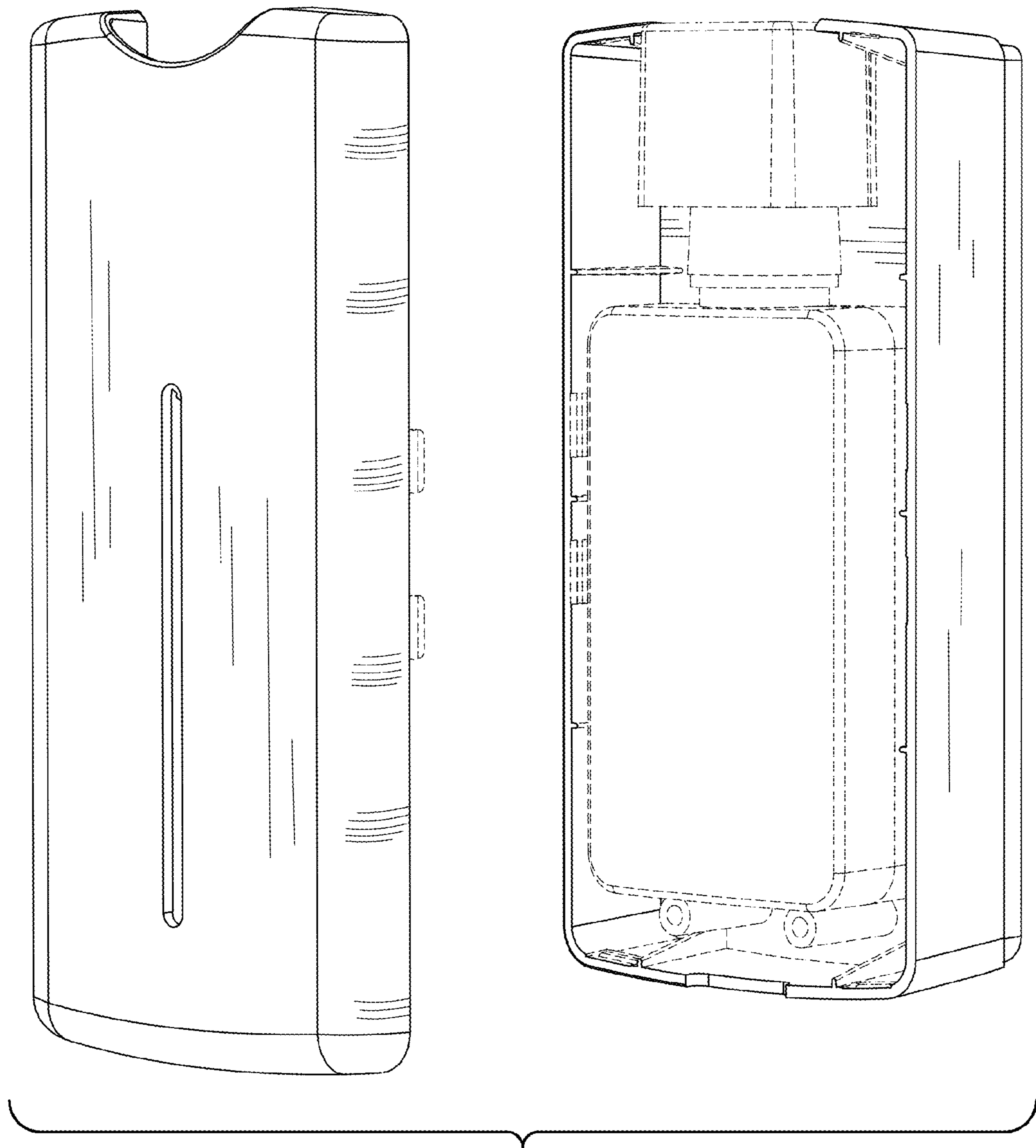


FIG. 8

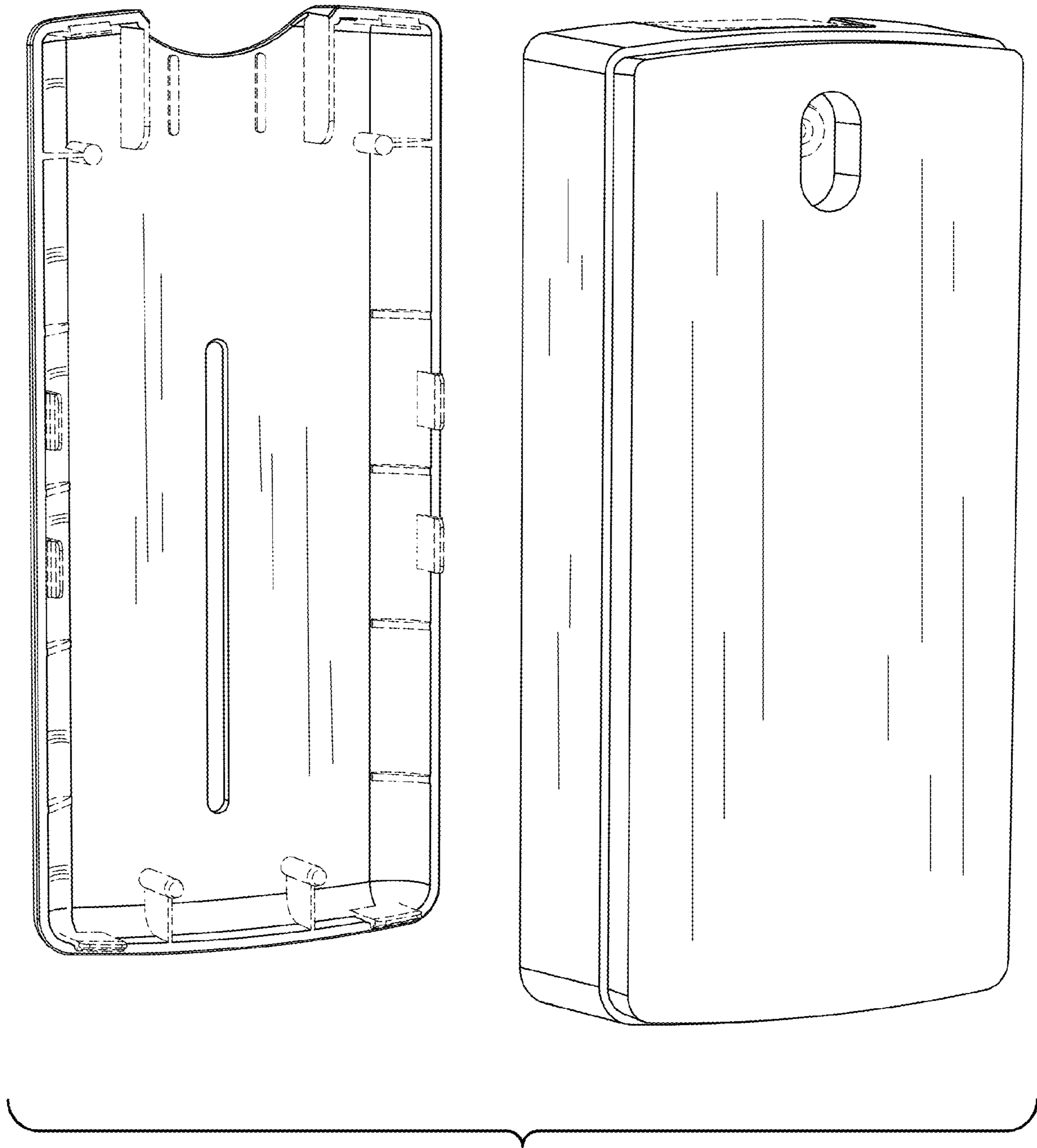


FIG. 9

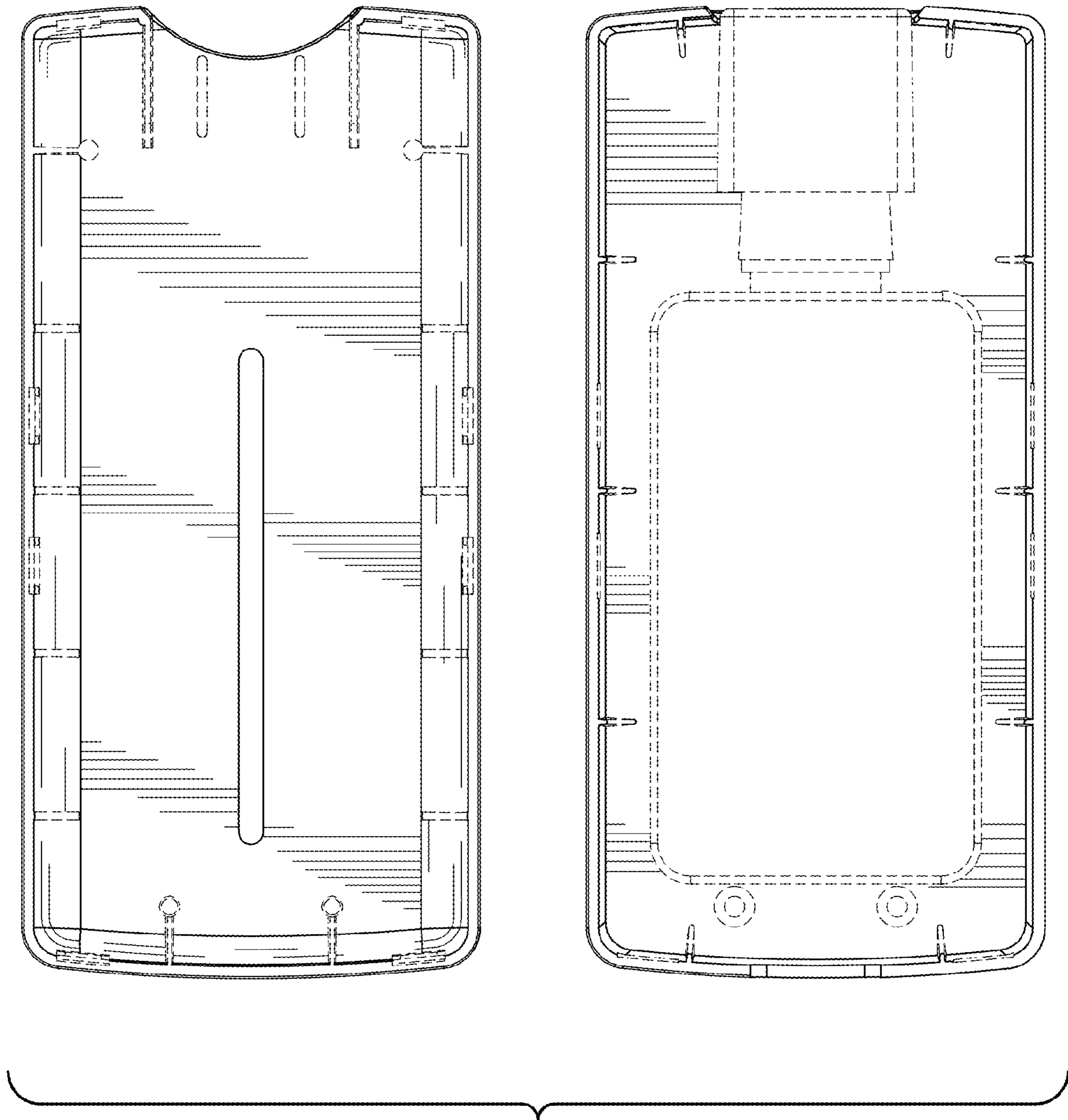


FIG. 10

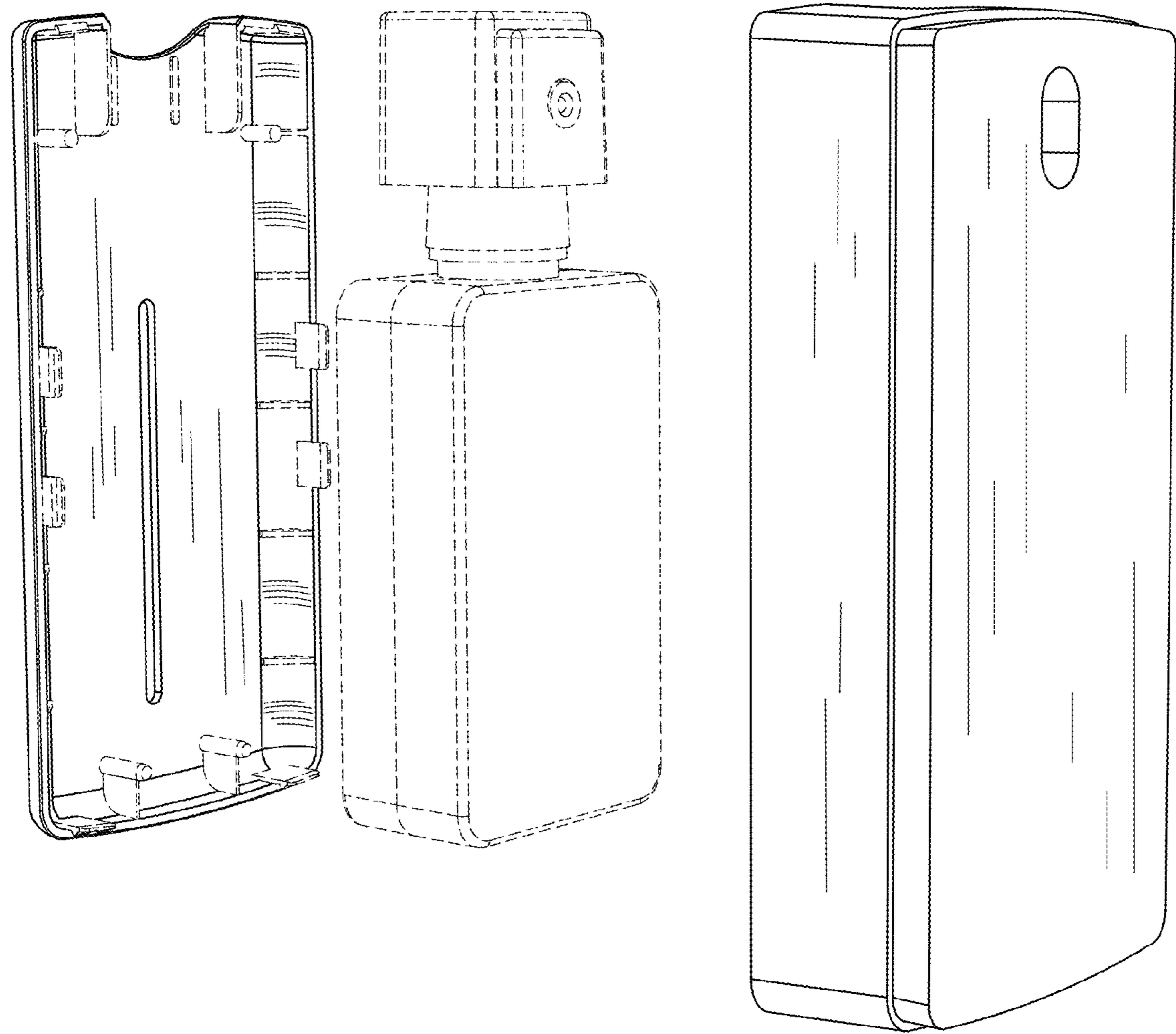


FIG. 11

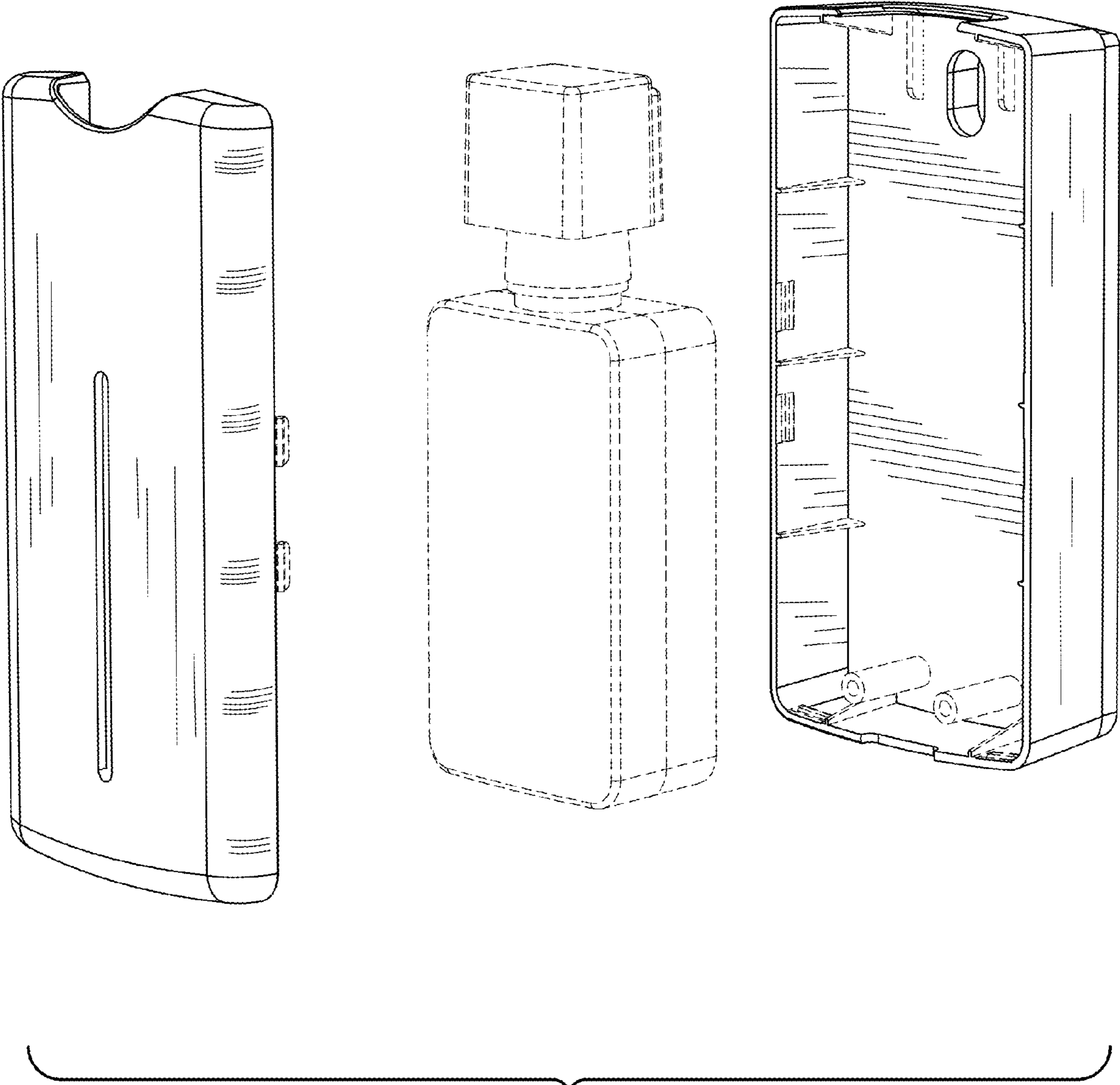


FIG. 12