



US00D872177S

(12) **United States Design Patent**  
**Luo**

(10) **Patent No.:** **US D872,177 S**

(45) **Date of Patent:** **\*\* Jan. 7, 2020**

- (54) **STAND FOR WRITING BOARDS**
- (71) Applicant: **Jie Luo**, Sichuan (CN)
- (72) Inventor: **Jie Luo**, Sichuan (CN)
- (73) Assignee: **Chengdu Qingfeng Interaction Technology Co., Ltd**, Chengdu, Sichuan (CN)
- (\*\*) Term: **15 Years**
- (21) Appl. No.: **29/631,656**
- (22) Filed: **Jan. 2, 2018**
- (51) **LOC (12) Cl.** ..... **19-06**
- (52) **U.S. Cl.**  
USPC ..... **D19/113; D6/300**
- (58) **Field of Classification Search**  
USPC ..... D6/300-314; D14/447, 457; D19/102, D19/81, 83, 84, 113, 114  
CPC .... G09F 1/12; G09F 7/18; A47G 1/06; A47G 1/0638; A47G 1/14; A47G 1/142; A47B 97/04; A47B 97/08; A47B 23/042  
See application file for complete search history.

(56) **References Cited**

**U.S. PATENT DOCUMENTS**

D66,852 S *	3/1925	Guinn	.....	D19/79
1,659,509 A *	2/1928	Ashbrook	.....	B42F 17/08
				211/50
D81,349 S *	6/1930	Ritchie	.....	D6/300
D342,282 S *	12/1993	Kennedy	.....	D19/185
5,472,098 A *	12/1995	Ho	.....	A47B 23/042
				211/189
5,516,072 A *	5/1996	Shinno	.....	A47B 23/044
				248/174
D416,046 S *	11/1999	Ausejo	.....	D19/78
D482,904 S *	12/2003	Slaymaker	.....	D6/310

D511,478 S *	11/2005	Petree, Jr.	.....	D11/131
D569,433 S *	5/2008	Gerules	.....	D19/113
D590,404 S *	4/2009	Kim	.....	D14/447
D661,309 S *	6/2012	Murrer	.....	D14/447
D674,395 S *	1/2013	Haarburger	.....	D14/447
D690,308 S *	9/2013	McCoy	.....	D14/458
D699,246 S *	2/2014	Ringlein	.....	D14/447
D705,722 S *	5/2014	Gengler	.....	D13/107
D714,297 S *	9/2014	Poulsen	.....	D14/447
D718,742 S *	12/2014	Warner	.....	D14/217
D748,616 S *	2/2016	Noble	.....	D14/253
D754,459 S *	4/2016	Wilton	.....	D6/682.3
D771,615 S *	11/2016	Pignotti	.....	D14/253
D781,841 S *	3/2017	Salathe	.....	D14/253
D789,100 S *	6/2017	Gorman	.....	D6/313
D837,296 S *	1/2019	Martin	.....	D19/114
D855,106 S *	7/2019	Morita	.....	D19/113
D856,320 S *	8/2019	Li	.....	D14/253

\* cited by examiner

*Primary Examiner* — Deanna L Pratt

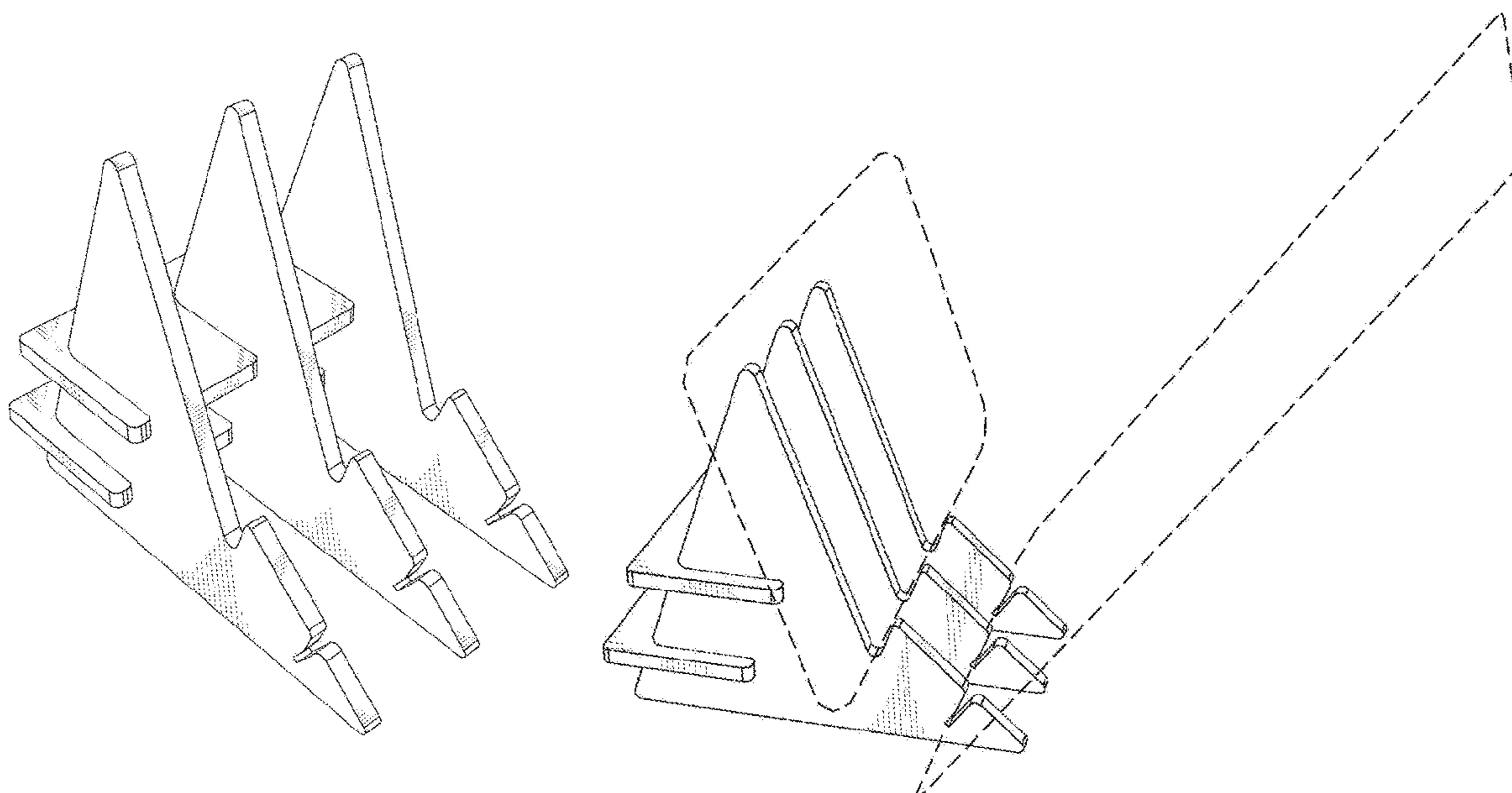
(57) **CLAIM**

I claim the ornamental design for a stand for writing boards, as shown and described.

**DESCRIPTION**

FIG. 1 is a perspective view of a stand for writing boards showing my new design;  
 FIG. 2 is a front elevational view thereof;  
 FIG. 3 is a rear elevational view thereof;  
 FIG. 4 is a left side elevational view thereof;  
 FIG. 5 is a right side elevational view thereof;  
 FIG. 6 is a top plan view thereof;  
 FIG. 7 is a bottom plan view thereof; and,  
 FIG. 8 is a perspective view thereof shown in use.  
 The broken line showing of two small writing boards, such as blackboards, in FIG. 8 illustrates the environment of the claimed design and forms no part thereof.

**1 Claim, 8 Drawing Sheets**



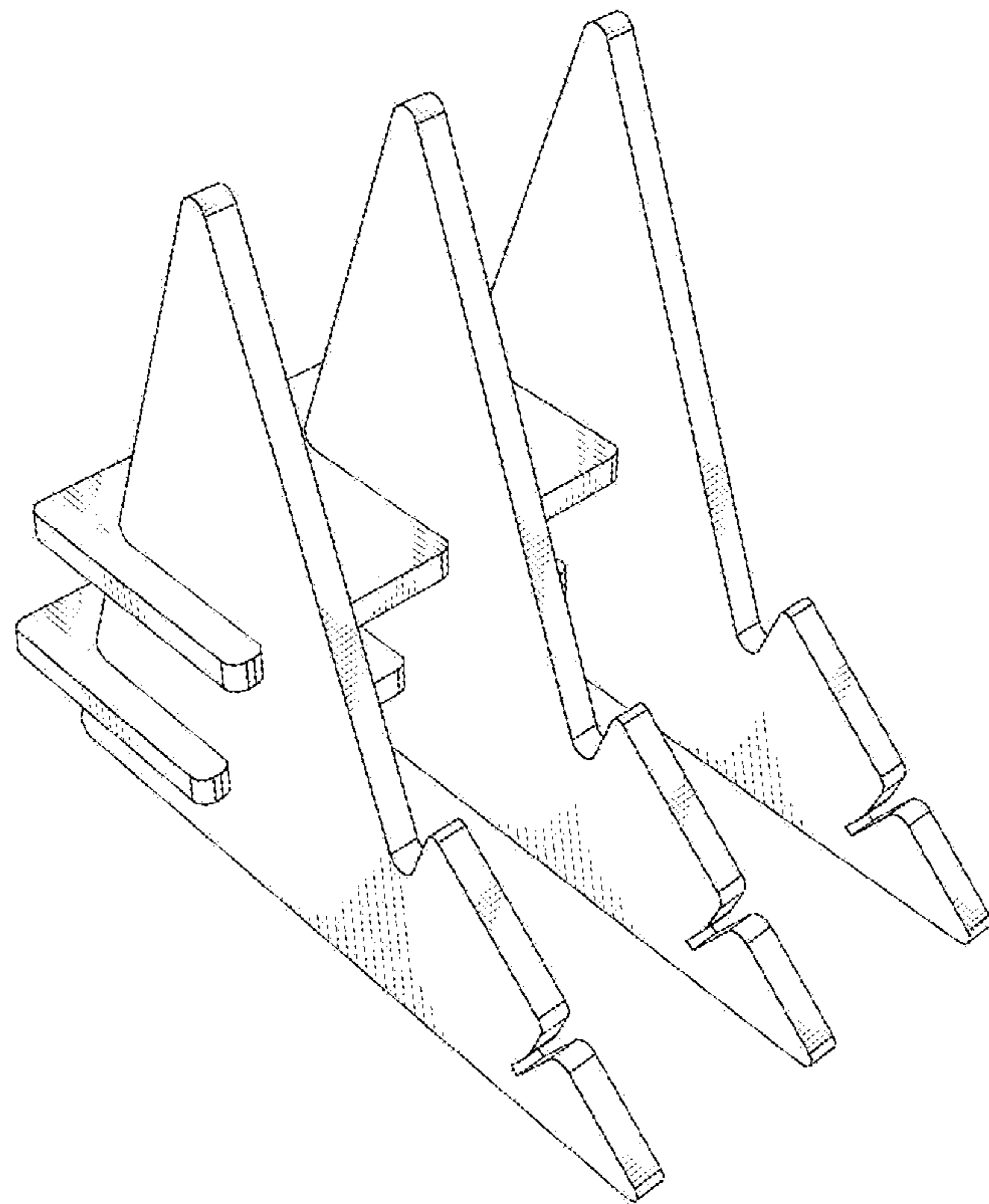


FIG.1

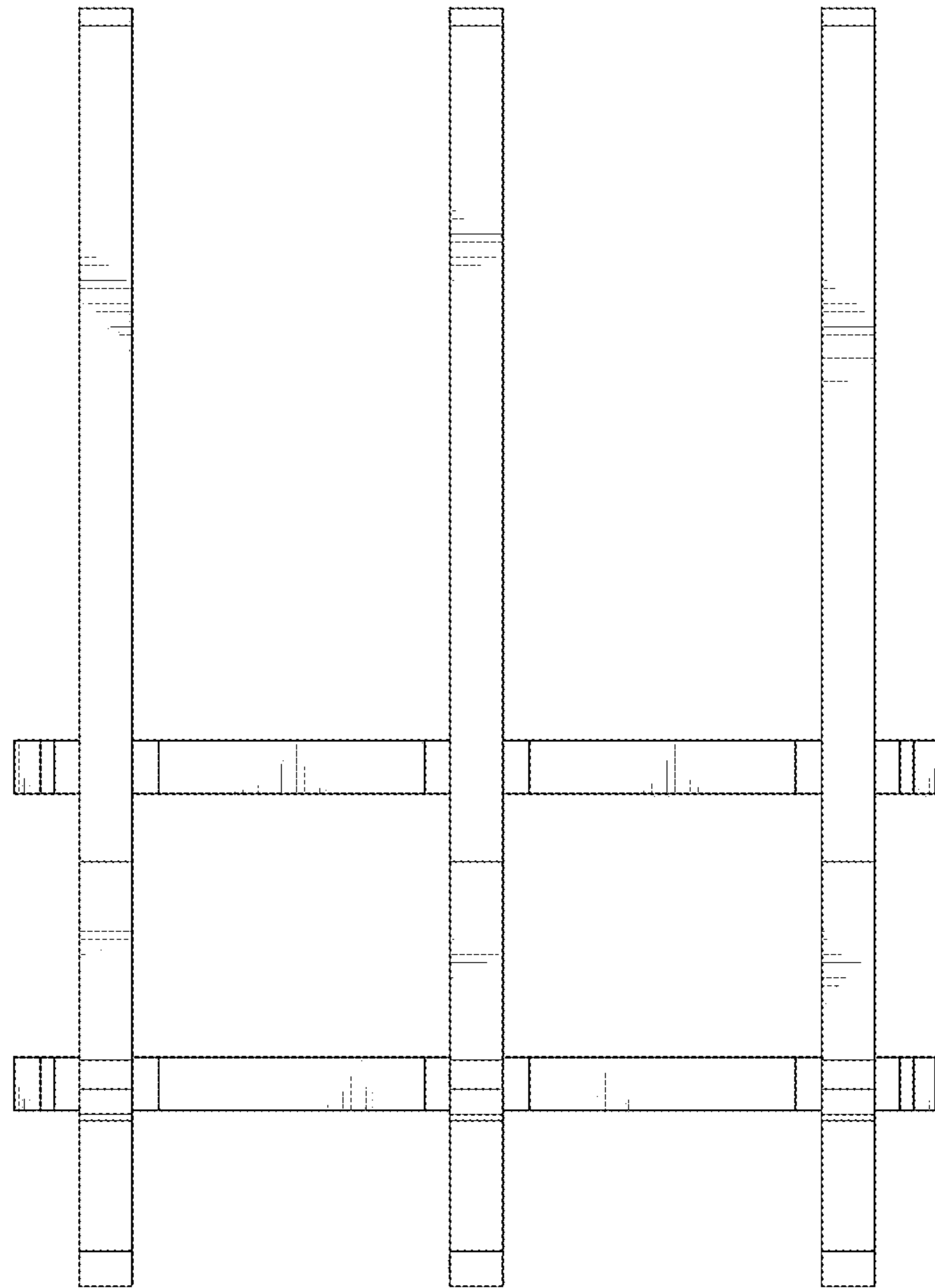


FIG.2

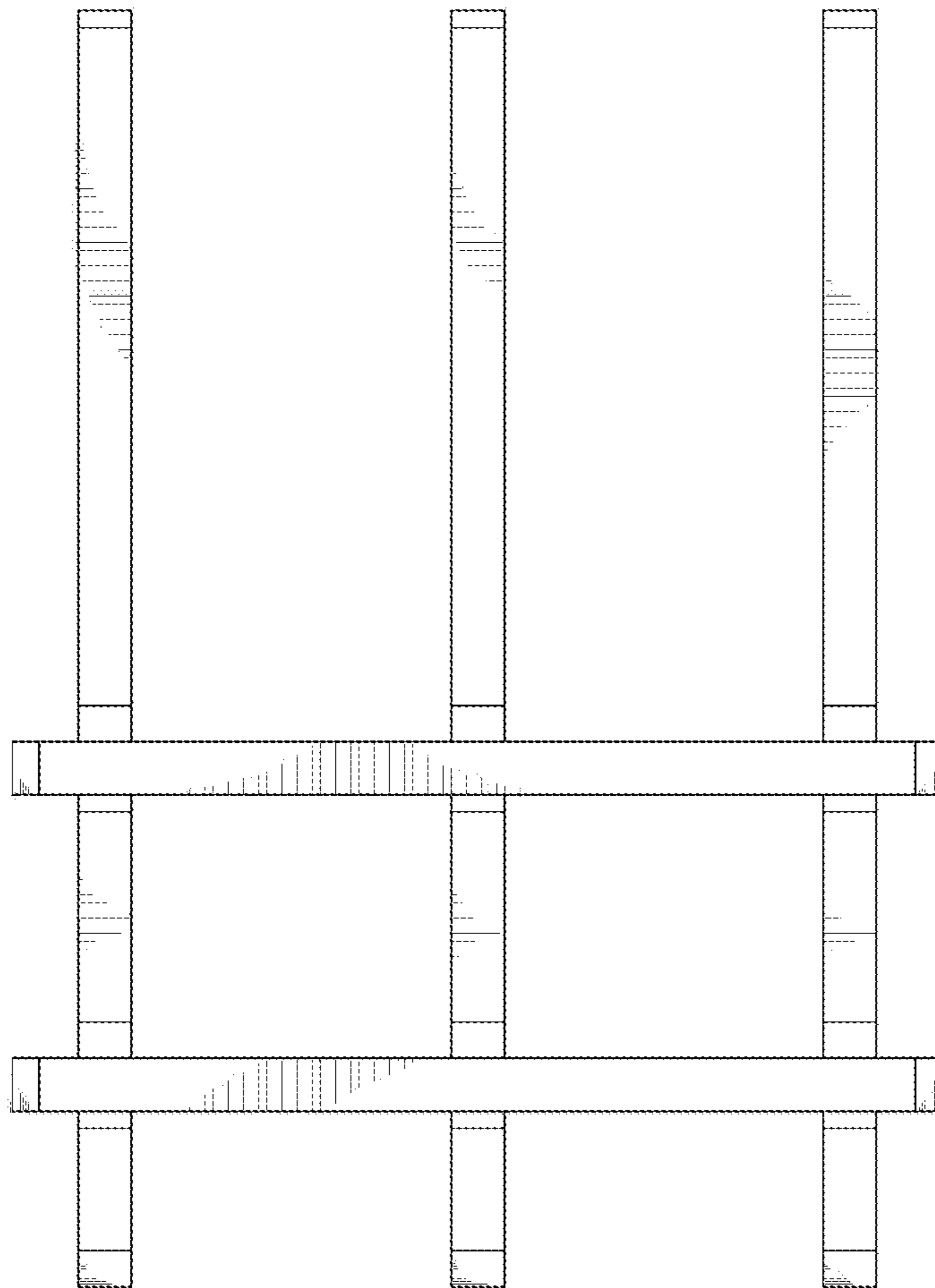


FIG.3

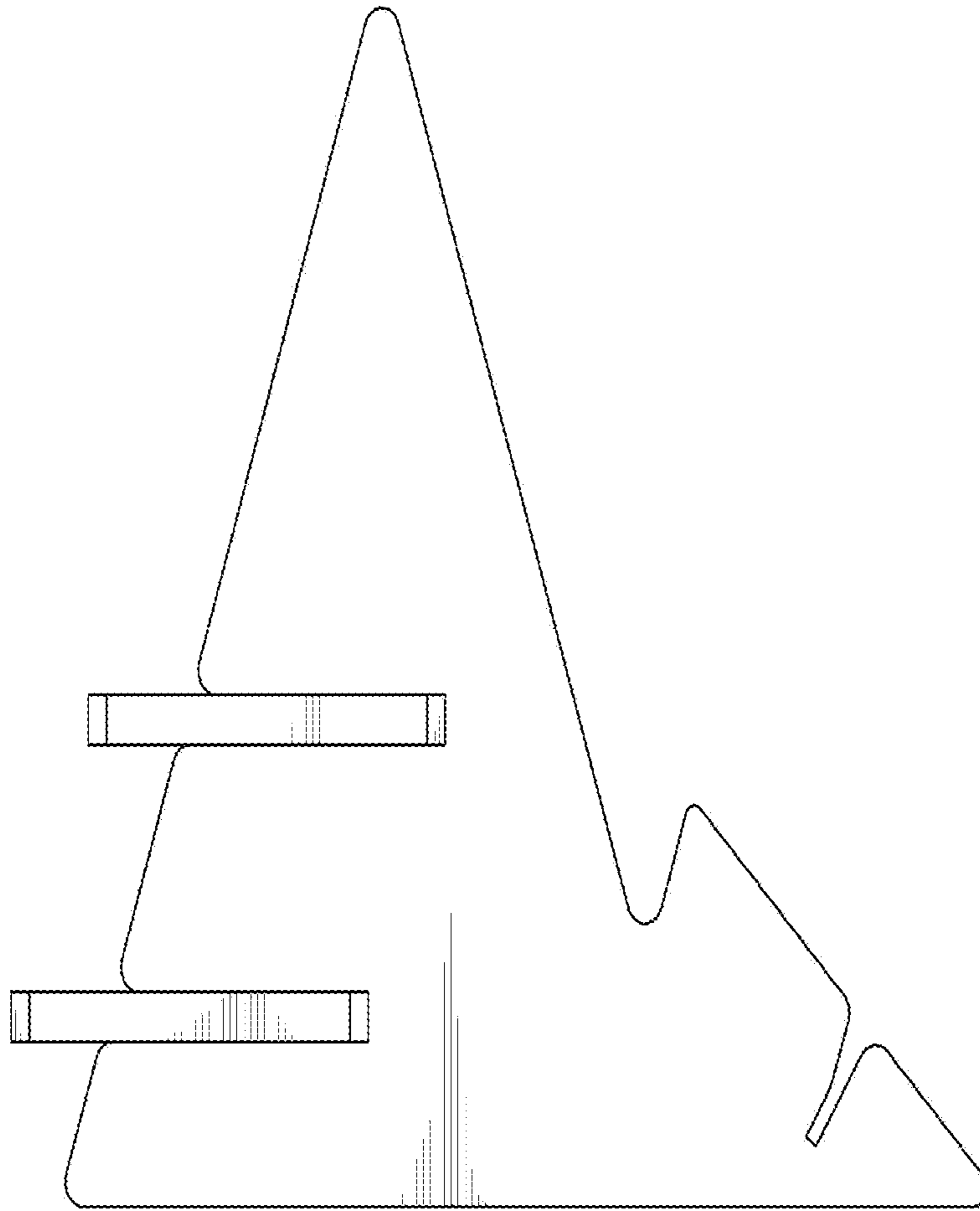


FIG.4

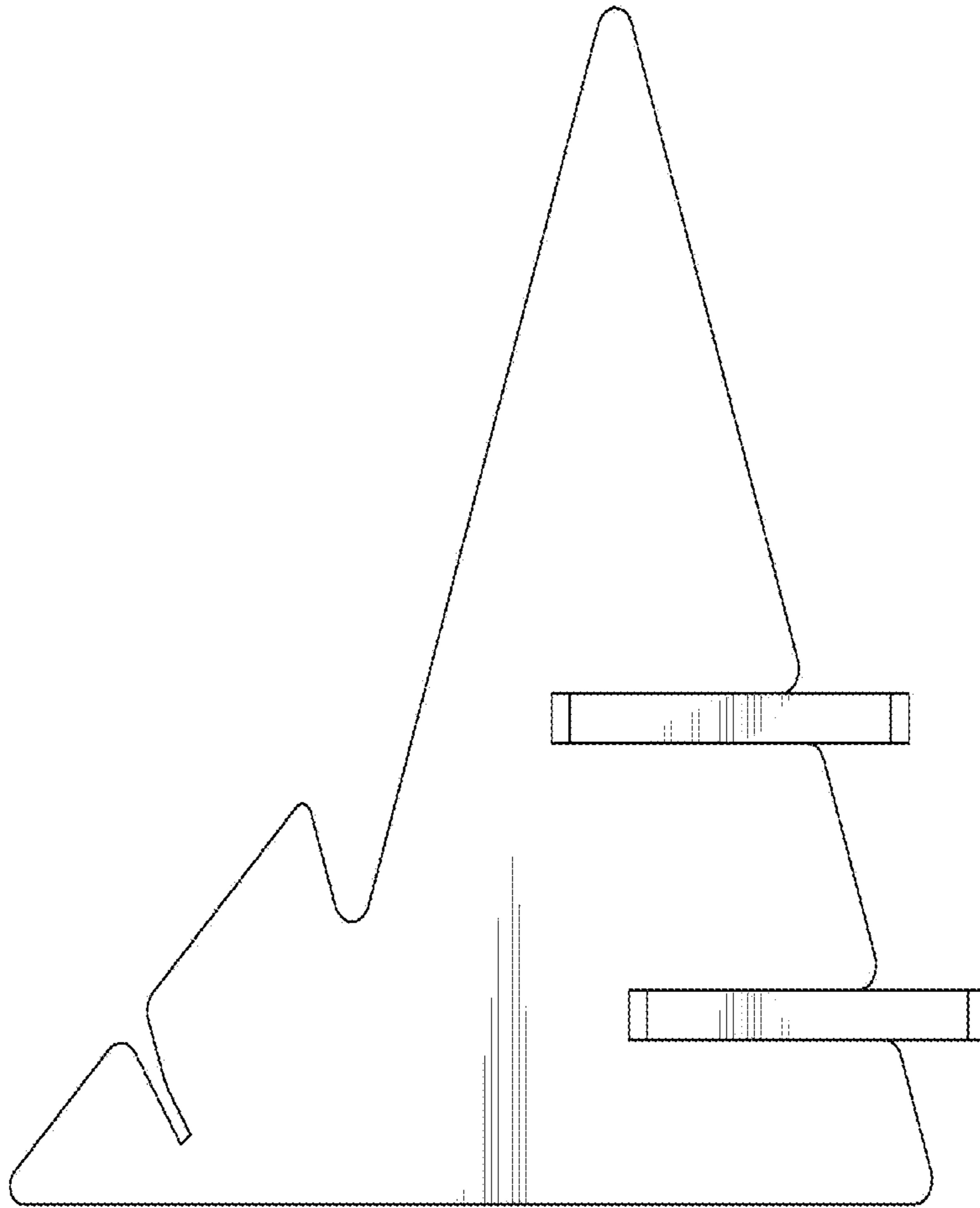


FIG.5

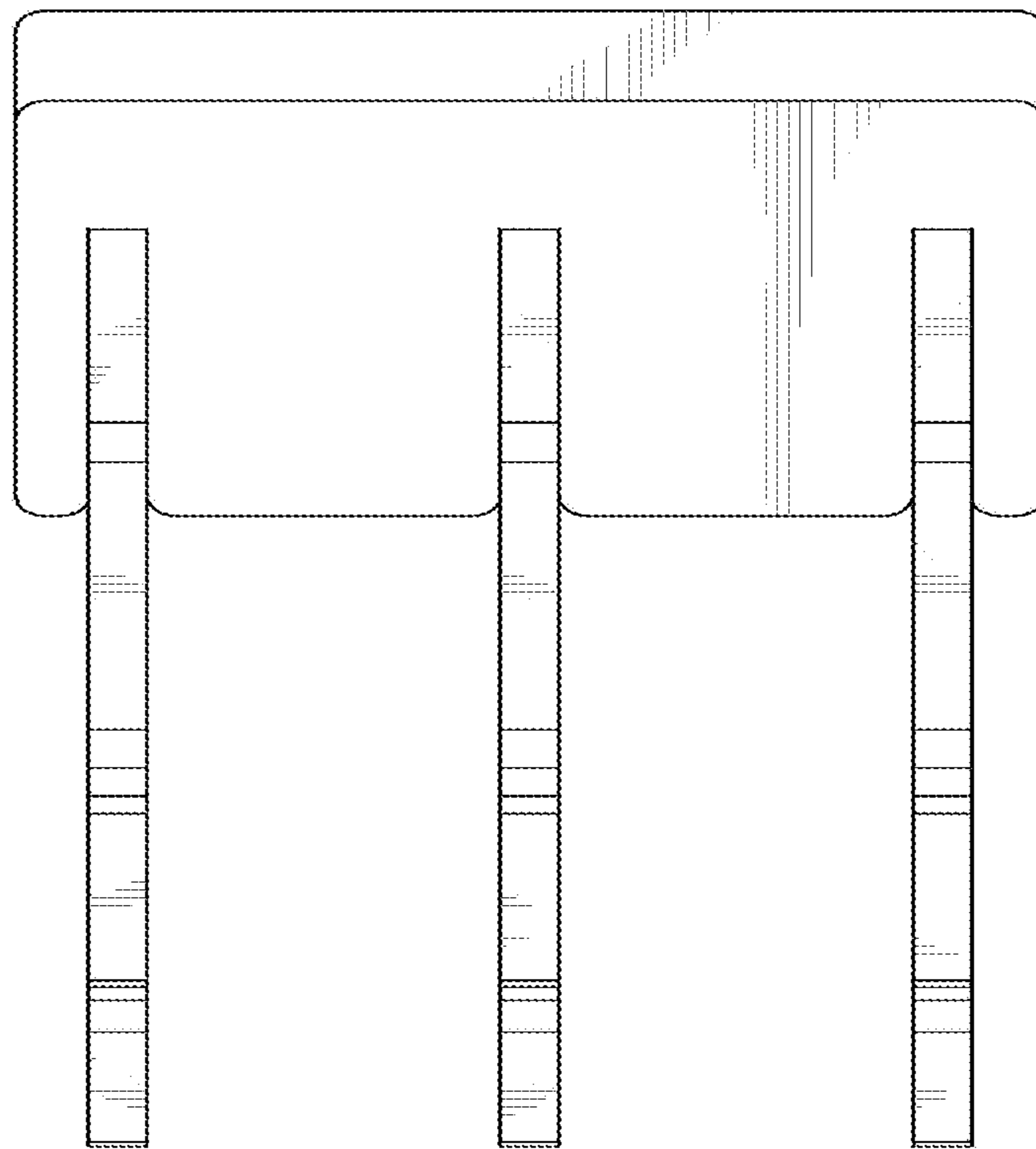


FIG.6

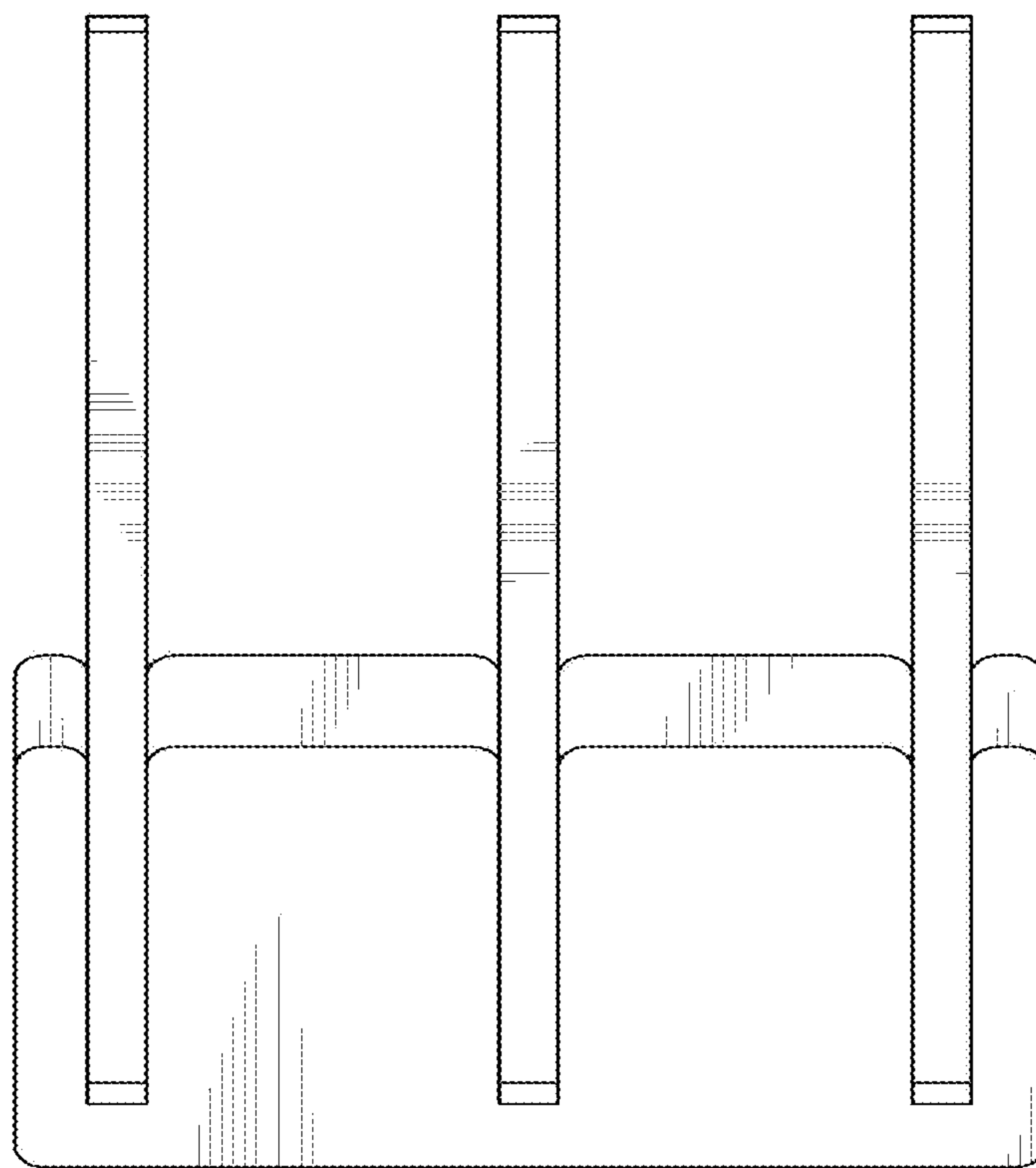


FIG.7



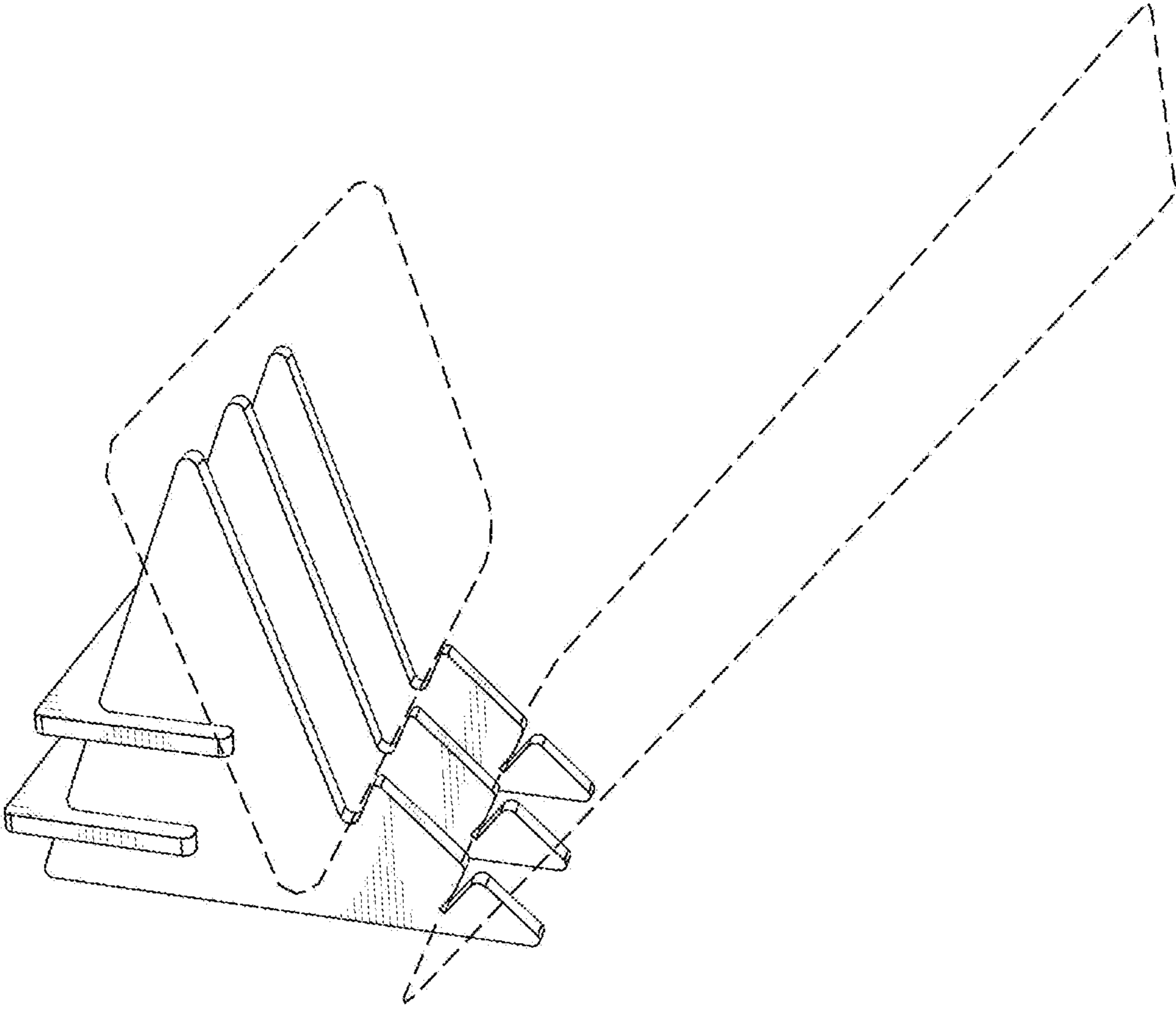


FIG. 8