



US00D872175S

(12) **United States Design Patent**  
**Lin et al.**

(10) **Patent No.:** **US D872,175 S**  
(45) **Date of Patent:** **\*\* Jan. 7, 2020**

(54) **PHOTO CONDUCTOR DRUM UNIT**

(71) Applicant: **AVISION INC.**, Hsinchu (TW)

(72) Inventors: **Chia-Hsin Lin**, Hsinchu (TW);  
**Jan-Hsing Kao**, Miaoli County (TW)

(73) Assignee: **AVISION INC.**, Hsinchu (TW)

(\*\*) Term: **15 Years**

(21) Appl. No.: **29/623,058**

(22) Filed: **Oct. 23, 2017**

(30) **Foreign Application Priority Data**

Sep. 8, 2017 (TW) ..... 106305221

(51) **LOC (12) Cl.** ..... **16-03**

(52) **U.S. Cl.**  
USPC ..... **D18/40**

(58) **Field of Classification Search**  
USPC ..... D16/237, 242-245; D8/354, 355, 373,  
D8/382-383; D14/224, 229, 238, 251,  
D14/253, 447; D18/40-44, 12, 99  
CPC ..... A45F 5/00; A45F 5/10; F16M 11/06-10;  
G03B 17/561-568

See application file for complete search history.

(56) **References Cited**

**U.S. PATENT DOCUMENTS**

D286,297 S \* 10/1986 Clowe ..... D18/36  
D419,182 S \* 1/2000 Tsuda ..... D18/43  
D425,545 S \* 5/2000 Ishida ..... D14/471  
D458,300 S \* 6/2002 Kwon ..... D18/43  
D471,583 S \* 3/2003 Okabe ..... D18/40  
D539,335 S \* 3/2007 Jeon ..... D18/43  
D638,053 S \* 5/2011 Sato ..... D18/43  
D774,129 S \* 12/2016 Lu ..... D18/43  
D795,340 S \* 8/2017 Taguchi ..... D18/43

D810,193 S \* 2/2018 Etoh ..... D18/43  
D840,467 S \* 2/2019 Lu ..... D18/43  
D849,132 S \* 5/2019 Lin ..... D18/43  
D849,133 S \* 5/2019 Lin ..... D18/43  
2009/0285603 A1\* 11/2009 Leemhuis ..... G03G 15/0877  
399/256  
2018/0120761 A1\* 5/2018 Lin ..... G03G 21/1821

**OTHER PUBLICATIONS**

Photoconductor Unit—30000 Yield. [online] Published on May 24, 2014. Retrieved Apr. 27, 2019 from URL: <https://www.overstock.com/Electronics/Photoconductor-Unit-30000-Yield/26543689/product.html?refccid=ZBG6ZHMGYUT2OL2GADBLOAGKSQ&searchidx=20>.\*

Dell Compatible Drum 30K Page Yield. [online] Published Apr. 29, 2008. Retrieved Apr. 27, 2019 from URL: <https://www.amazon.com/Dell-Compatible-1700n-1710n-Printers/dp/B0018LRUGC>.\*

\* cited by examiner

*Primary Examiner* — Vy N Koenig  
(74) *Attorney, Agent, or Firm* — Winston Hsu

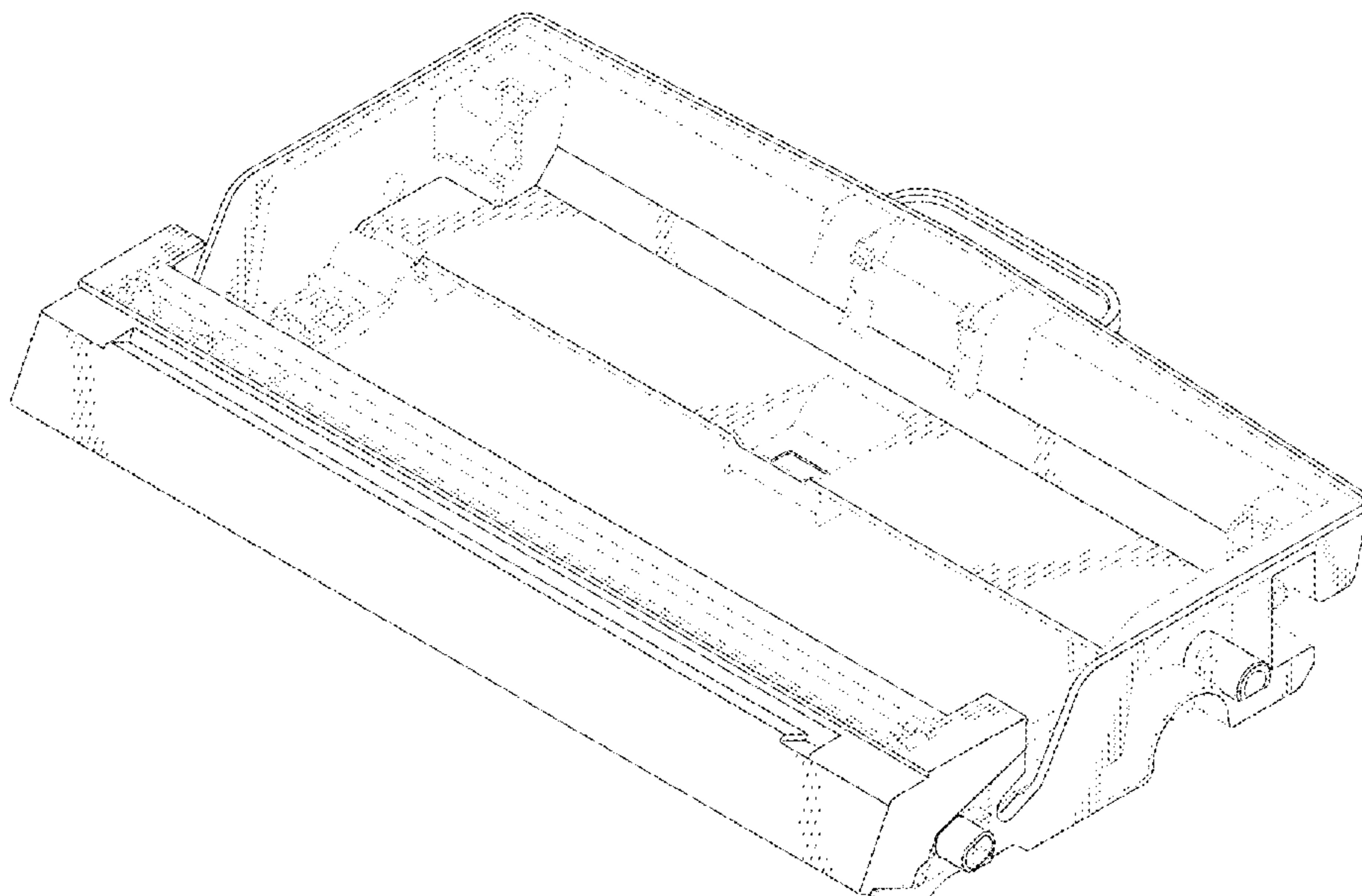
(57) **CLAIM**

The ornamental design for a photo conductor drum unit, as shown and described.

**DESCRIPTION**

FIG. 1 is a perspective view of a photo conductor drum unit showing our new design;  
FIG. 2 is a front view thereof;  
FIG. 3 is a rear view thereof;  
FIG. 4 is a left side view thereof;  
FIG. 5 is a right side view thereof;  
FIG. 6 is a top view thereof; and,  
FIG. 7 is a bottom view thereof.  
The broken lines depict portions of the photo conductor drum unit that form no part of the claimed design.

**1 Claim, 7 Drawing Sheets**



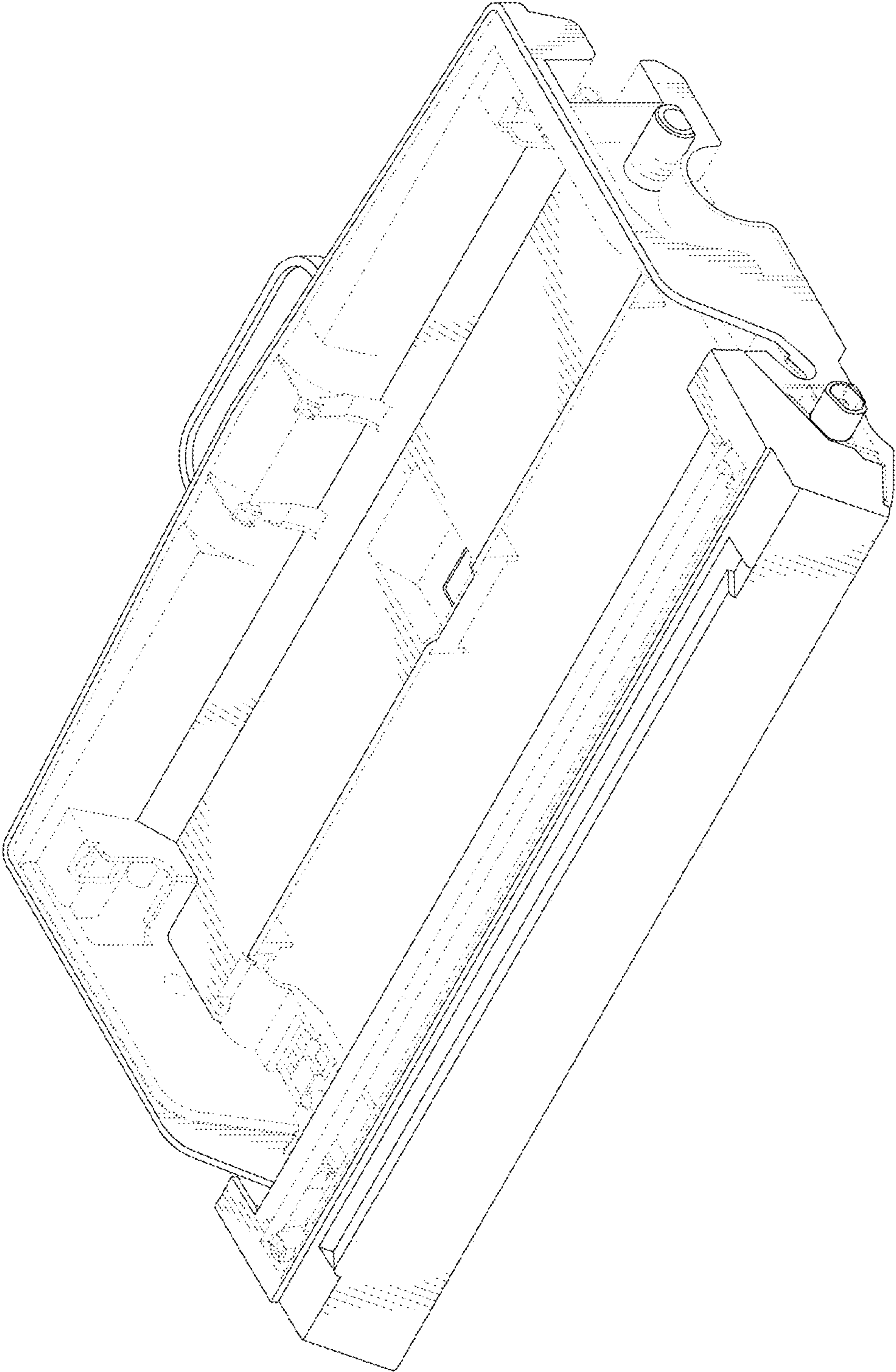


Fig. 1

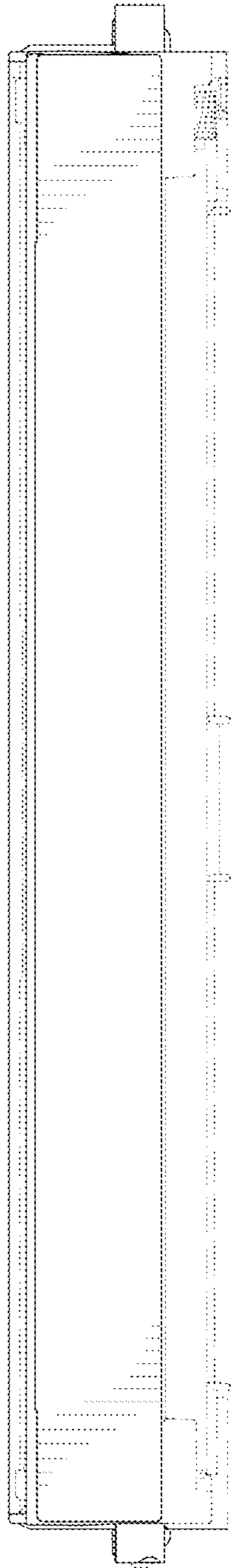


Fig. 2

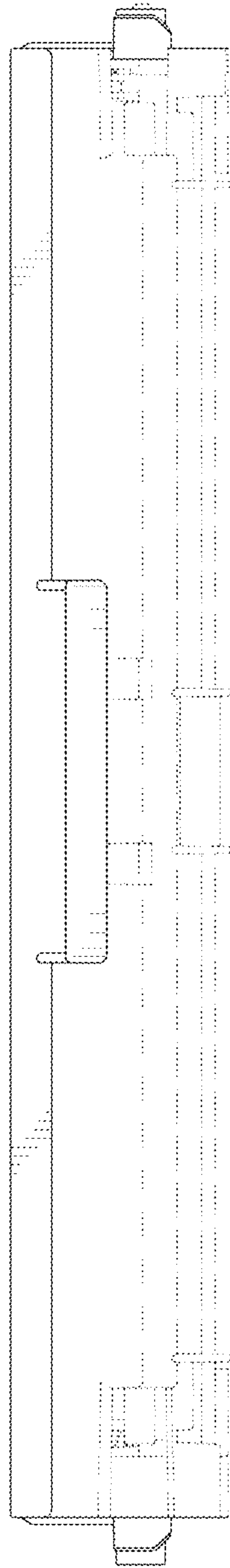


Fig. 3

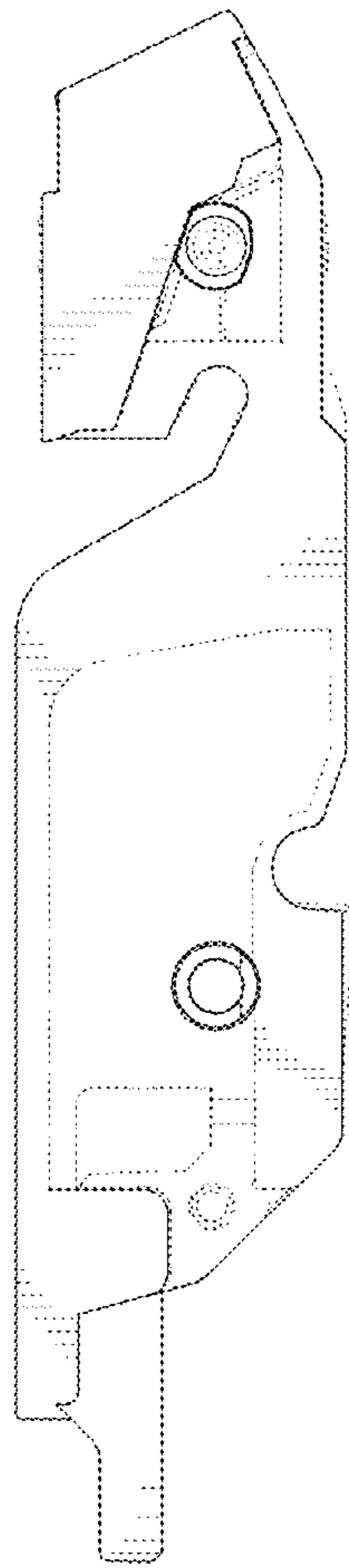


Fig. 4

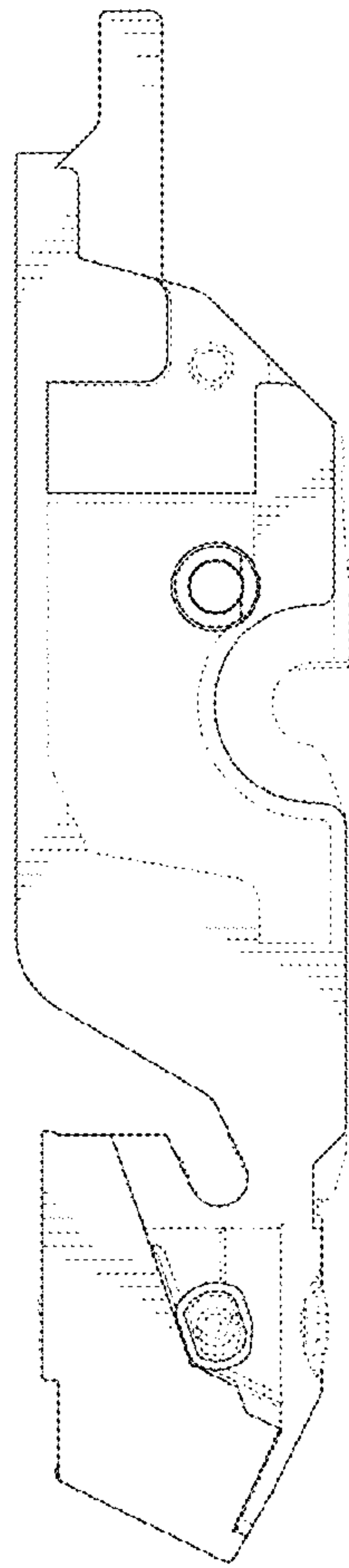


Fig. 5



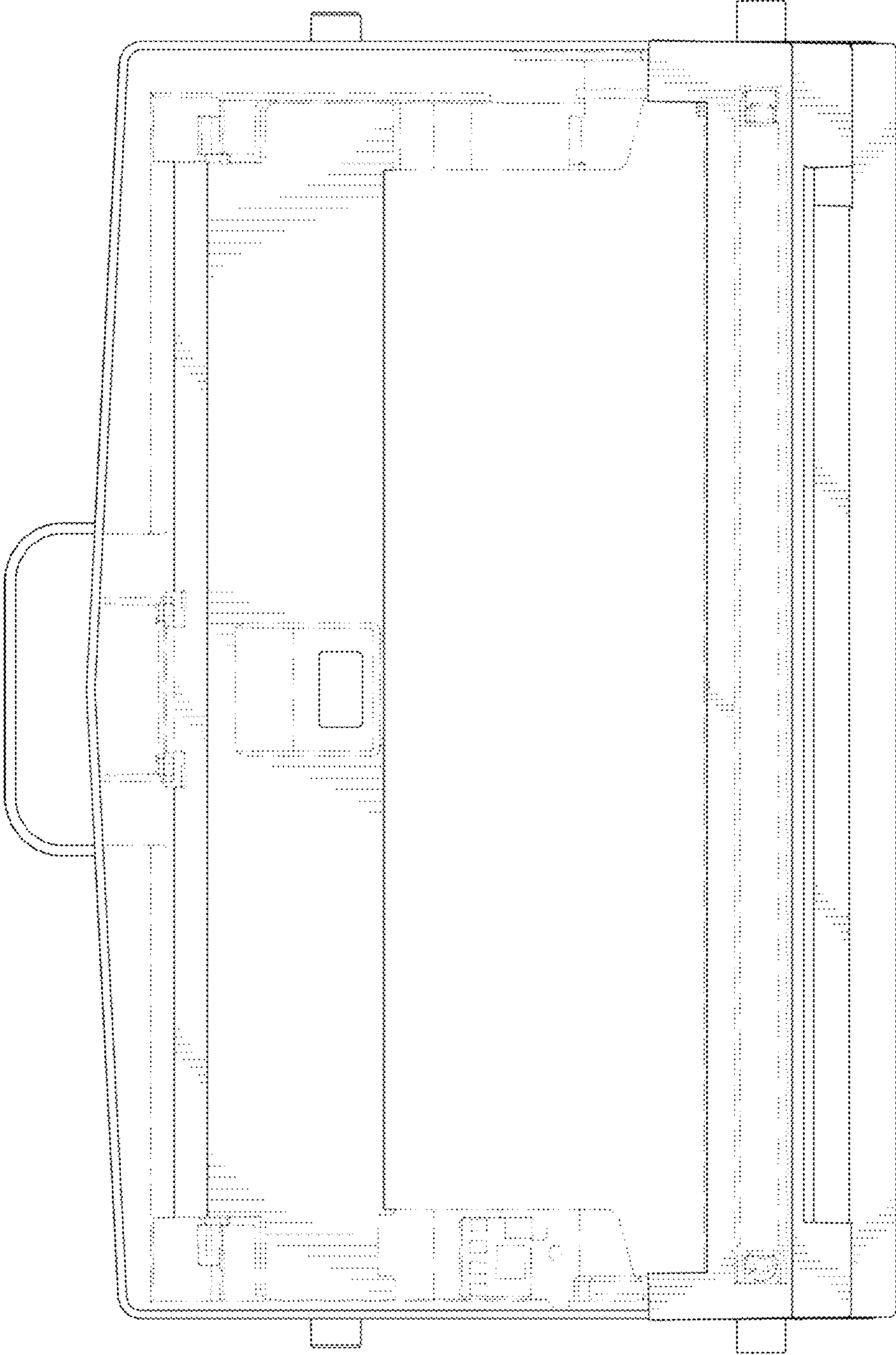


Fig. 6

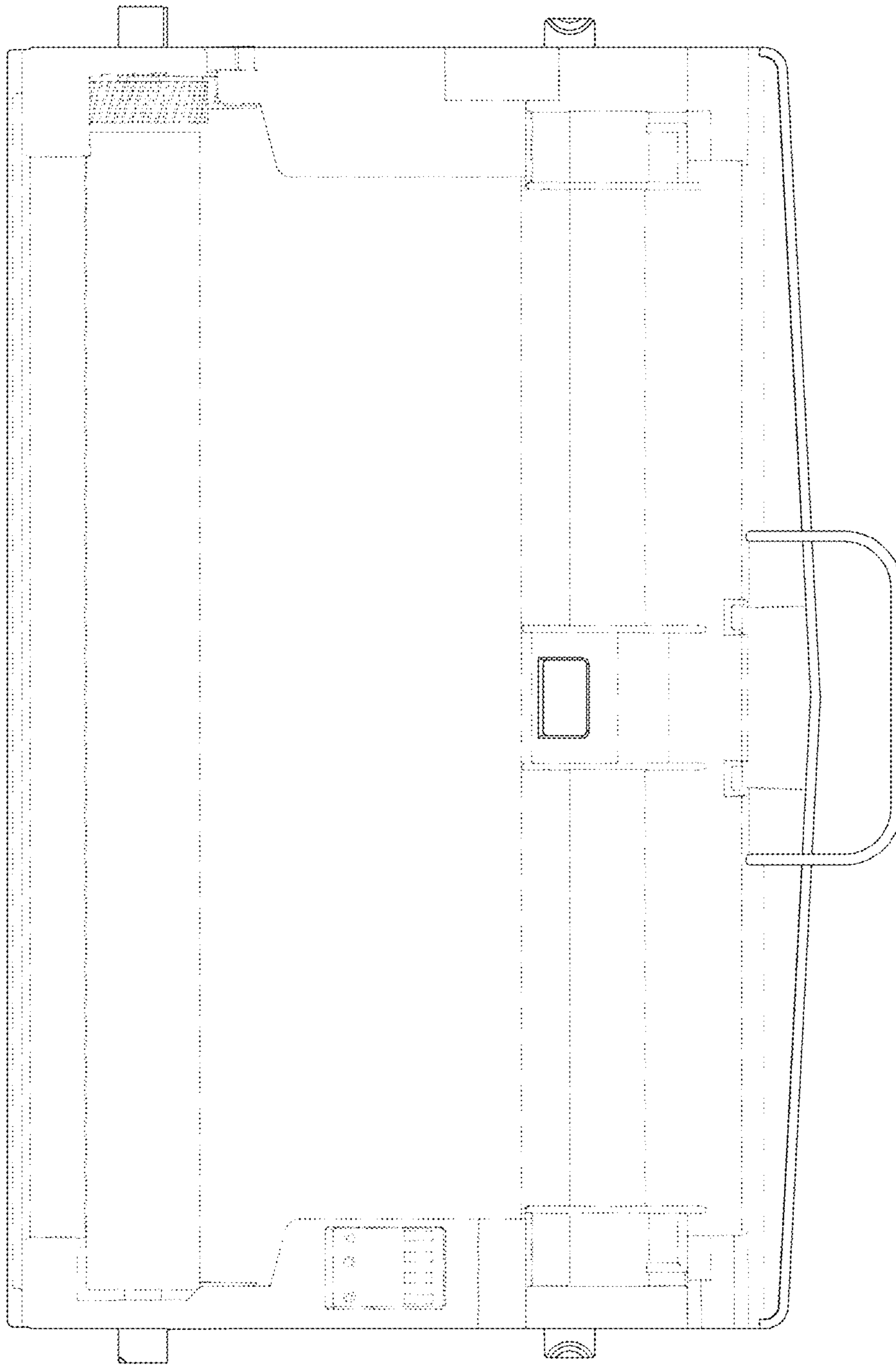


Fig. 7