



US00D872174S

(12) **United States Design Patent**  
**Shirane et al.**

(10) **Patent No.:** **US D872,174 S**  
(45) **Date of Patent:** **\*\* Jan. 7, 2020**

(54) **COPYING MACHINE**

(71) Applicants: **Ryuichi Shirane**, Ohta-ku (JP); **Yuki Sato**, Ohta-ku (JP)

(72) Inventors: **Ryuichi Shirane**, Ohta-ku (JP); **Yuki Sato**, Ohta-ku (JP)

(73) Assignee: **Ricoh Company, Ltd.**, Tokyo (JP)

(\*\*) Term: **15 Years**

(21) Appl. No.: **29/667,425**

(22) Filed: **Oct. 22, 2018**

(30) **Foreign Application Priority Data**

Apr. 24, 2018 (JP) ..... 2018-008997

(51) **LOC (12) Cl.** ..... **16-03**

(52) **U.S. Cl.**  
USPC ..... **D18/36; D18/40**

(58) **Field of Classification Search**  
USPC ..... D18/36-39, 45, 53, 59  
CPC ..... G03G 21/1633; B41J 11/00; B41J 15/00;  
B41J 15/12; B41J 15/42  
See application file for complete search history.

(56) **References Cited**

**U.S. PATENT DOCUMENTS**

D415,791 S \* 10/1999 Okamura ..... D18/59  
D438,559 S \* 3/2001 Matsumoto ..... D18/39  
D443,887 S \* 6/2001 Ogawa ..... D18/39  
D764,576 S \* 8/2016 Cho ..... D18/53  
D764,577 S \* 8/2016 Cho ..... D18/53

D803,308 S \* 11/2017 Takahashi ..... D18/36  
D828,443 S \* 9/2018 Brown ..... D18/53  
2018/0231927 A1\* 8/2018 Kunihisa ..... G03G 15/5004

**FOREIGN PATENT DOCUMENTS**

JP 2007-078994 3/2007  
JP D1545689 3/2016

\* cited by examiner

*Primary Examiner* — Barbara Fox  
*Assistant Examiner* — J. Thorn, Sr.

(74) *Attorney, Agent, or Firm* — Oblon, McClelland,  
Maier & Neustadt, L.L.P.

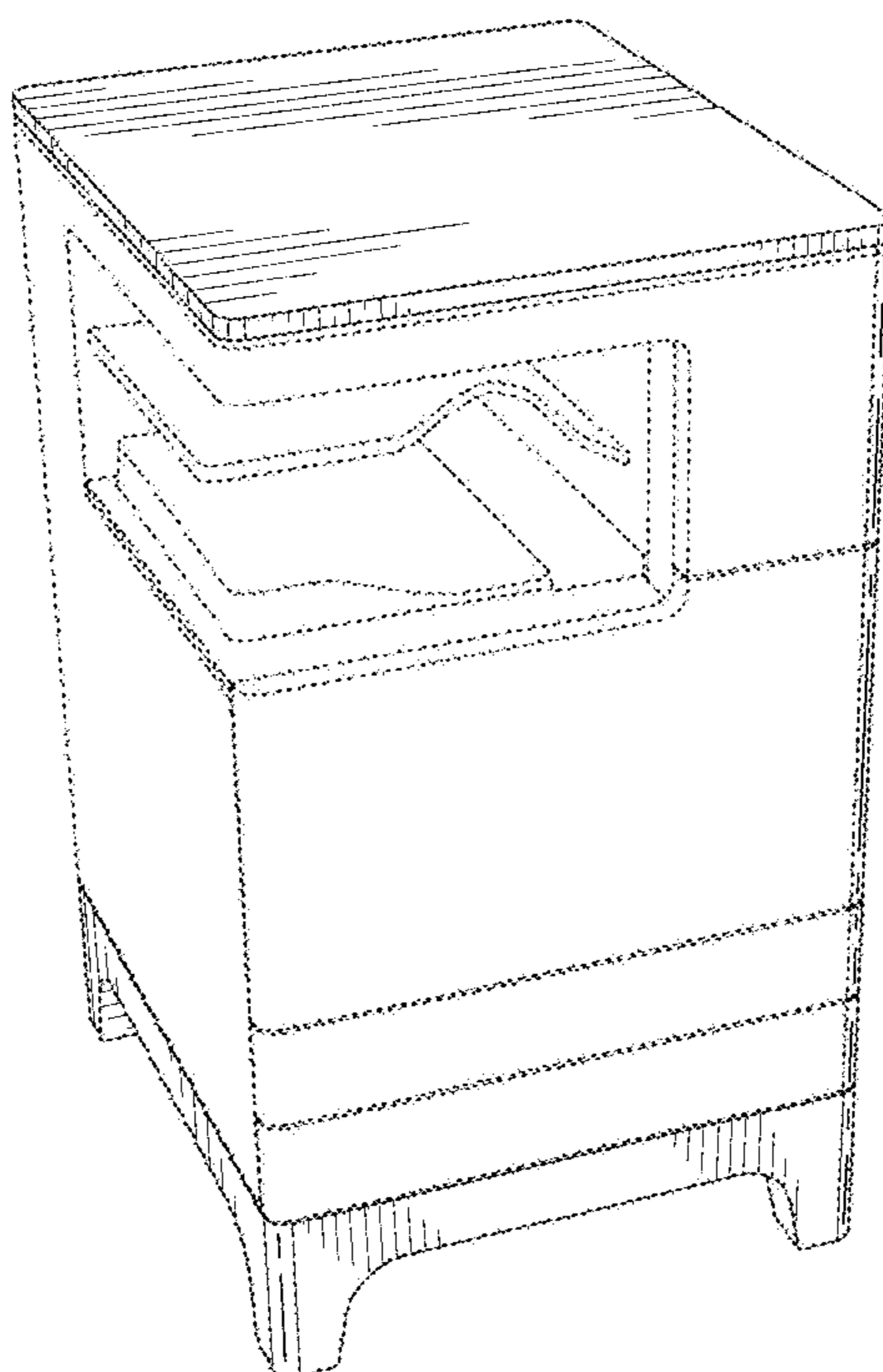
(57) **CLAIM**

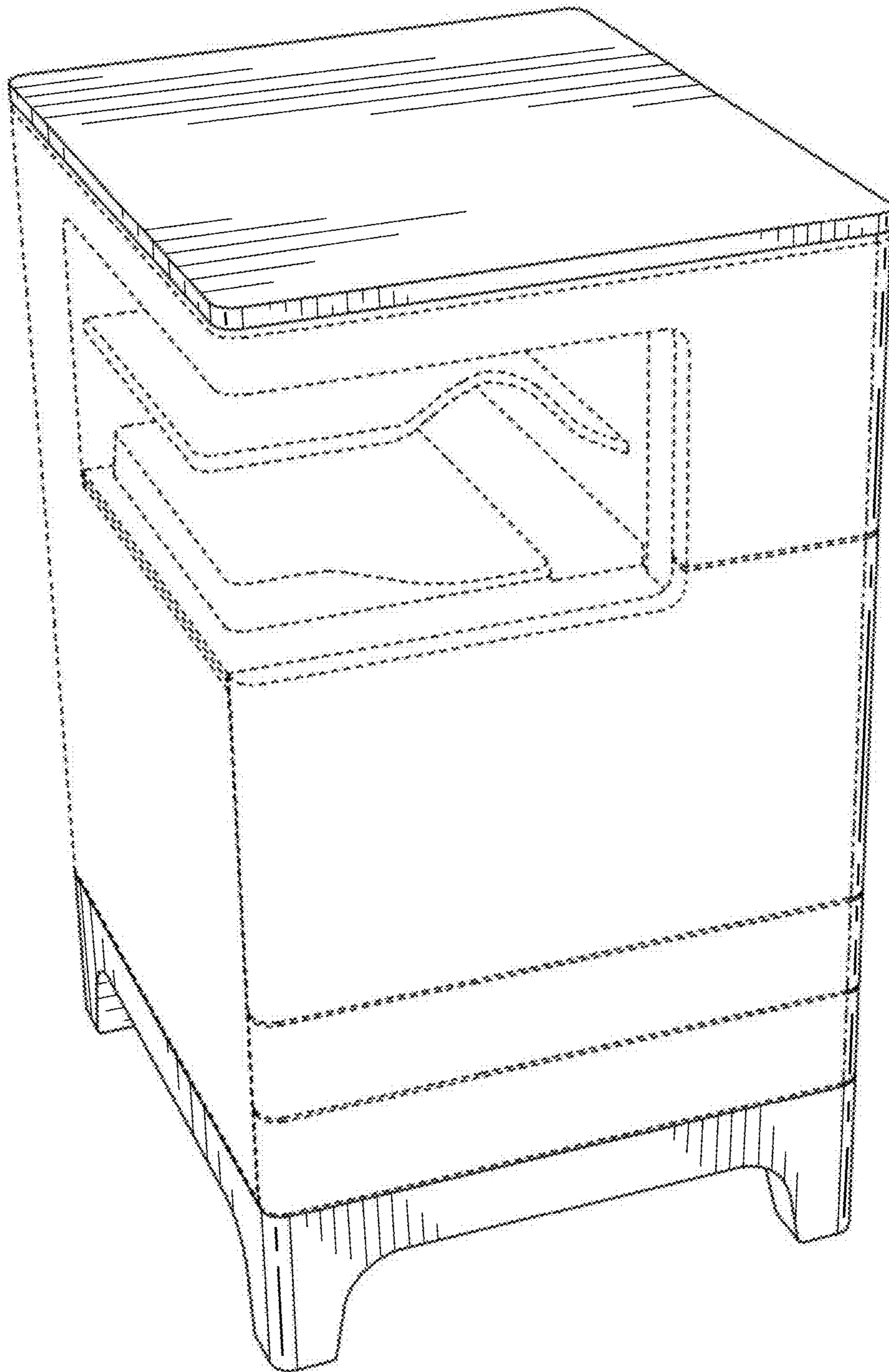
The ornamental design for a copying machine, as shown and described.

**DESCRIPTION**

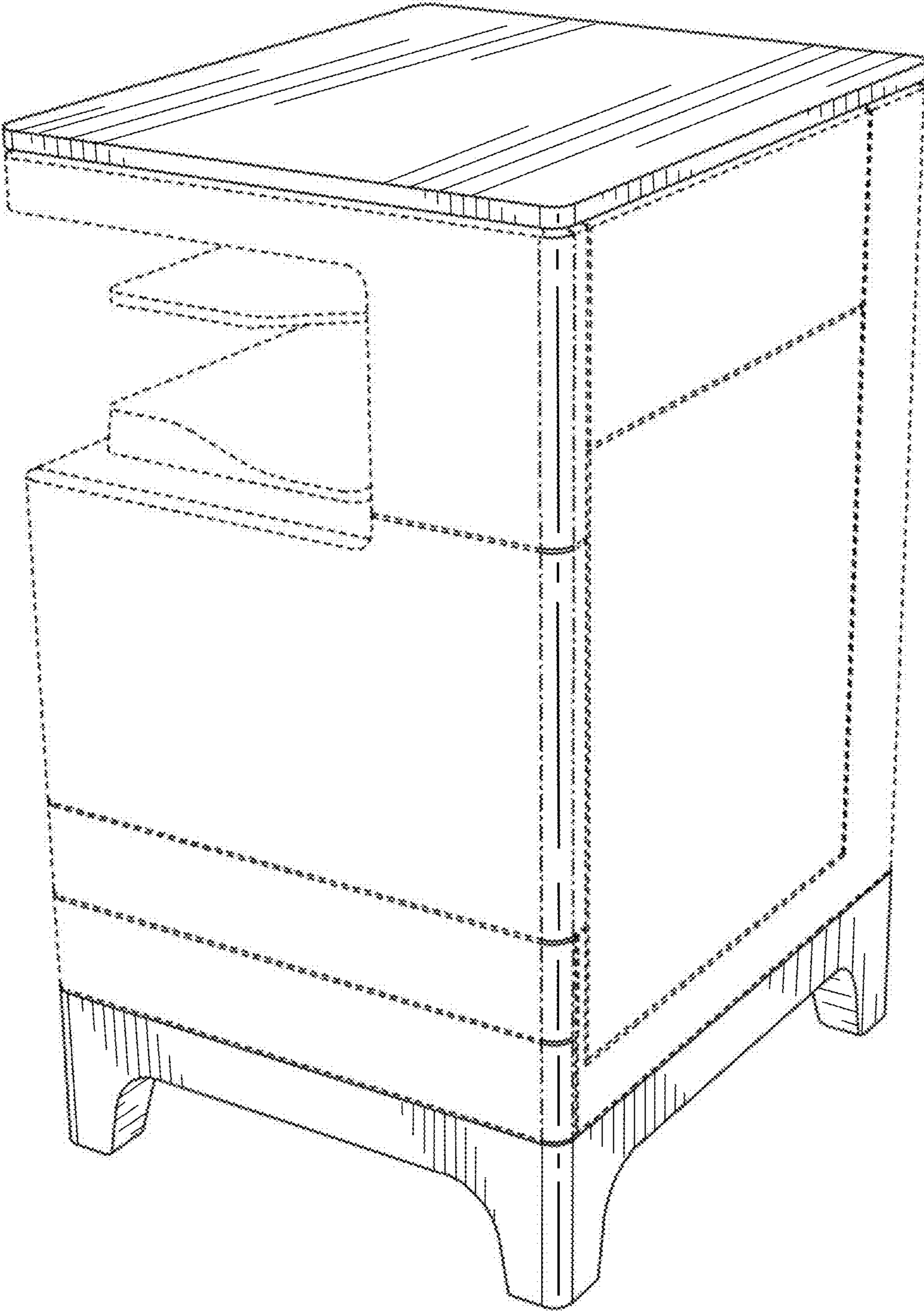
FIG. 1 is a front, top, and left side perspective view of a copying machine;  
FIG. 2 is a front, top, and right side perspective view thereof;  
FIG. 3 is a front elevational view thereof;  
FIG. 4 is a rear elevational view thereof;  
FIG. 5 is a top plan view thereof;  
FIG. 6 is a bottom plan view thereof;  
FIG. 7 is a right side elevational view thereof; and,  
FIG. 8 is a left side elevational view thereof.  
The broken lines shown in the figures are for the purpose of illustrating portions of the copying machine that form no part of the claimed design. The dot-dash lines shown in the figures represent a boundary line that forms no part of the claimed design.

**1 Claim, 8 Drawing Sheets**

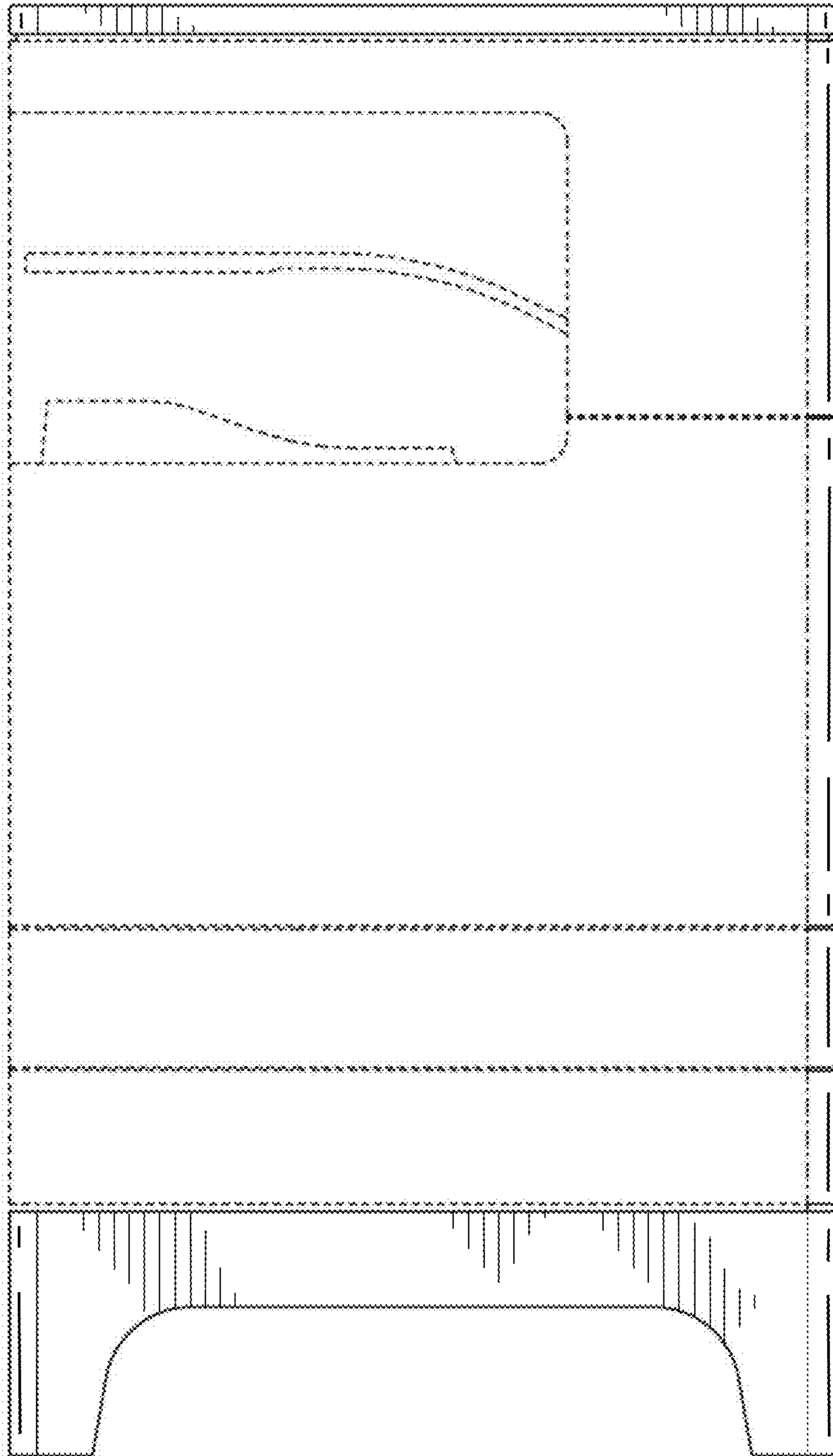




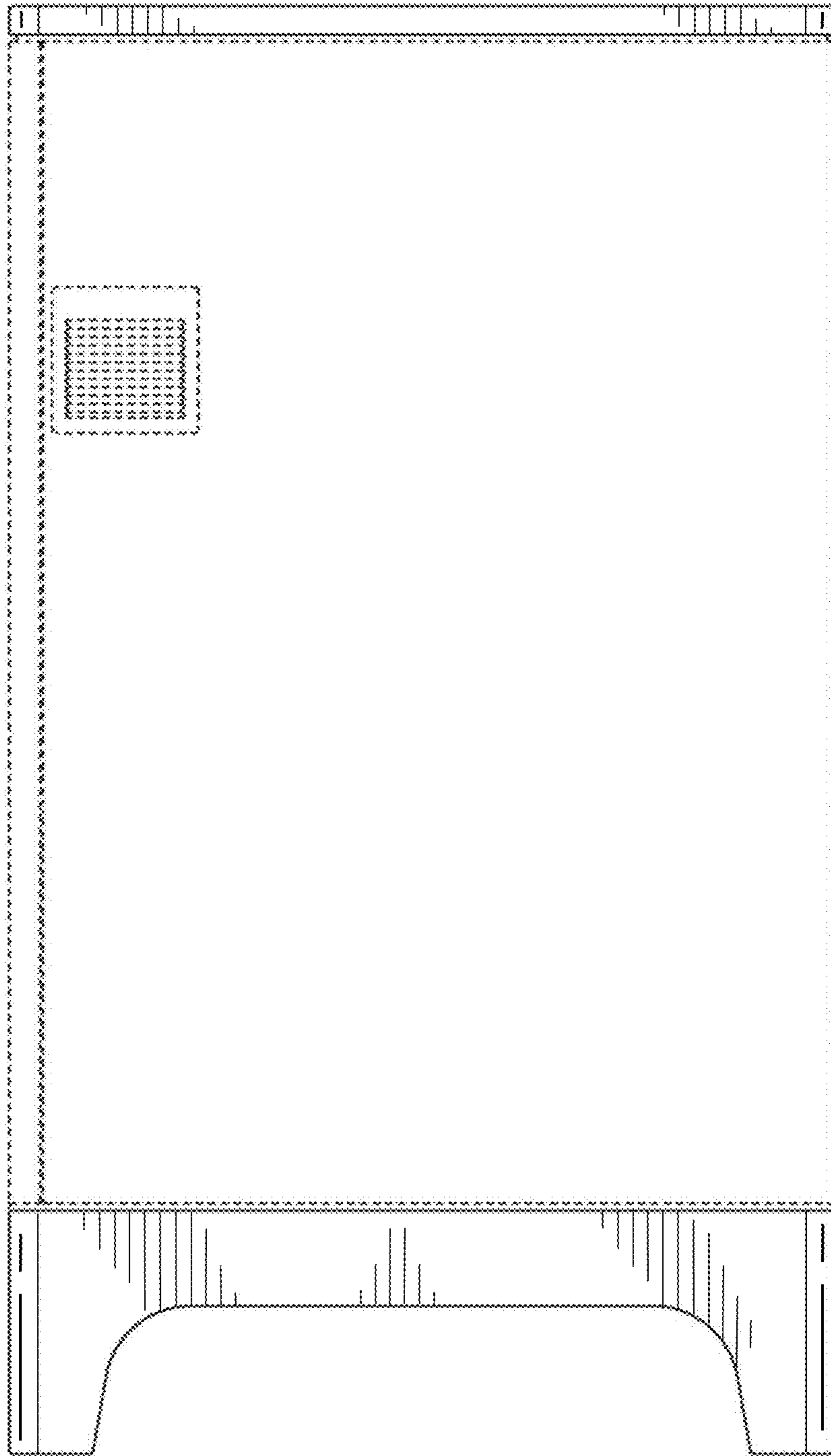
**FIG. 1**



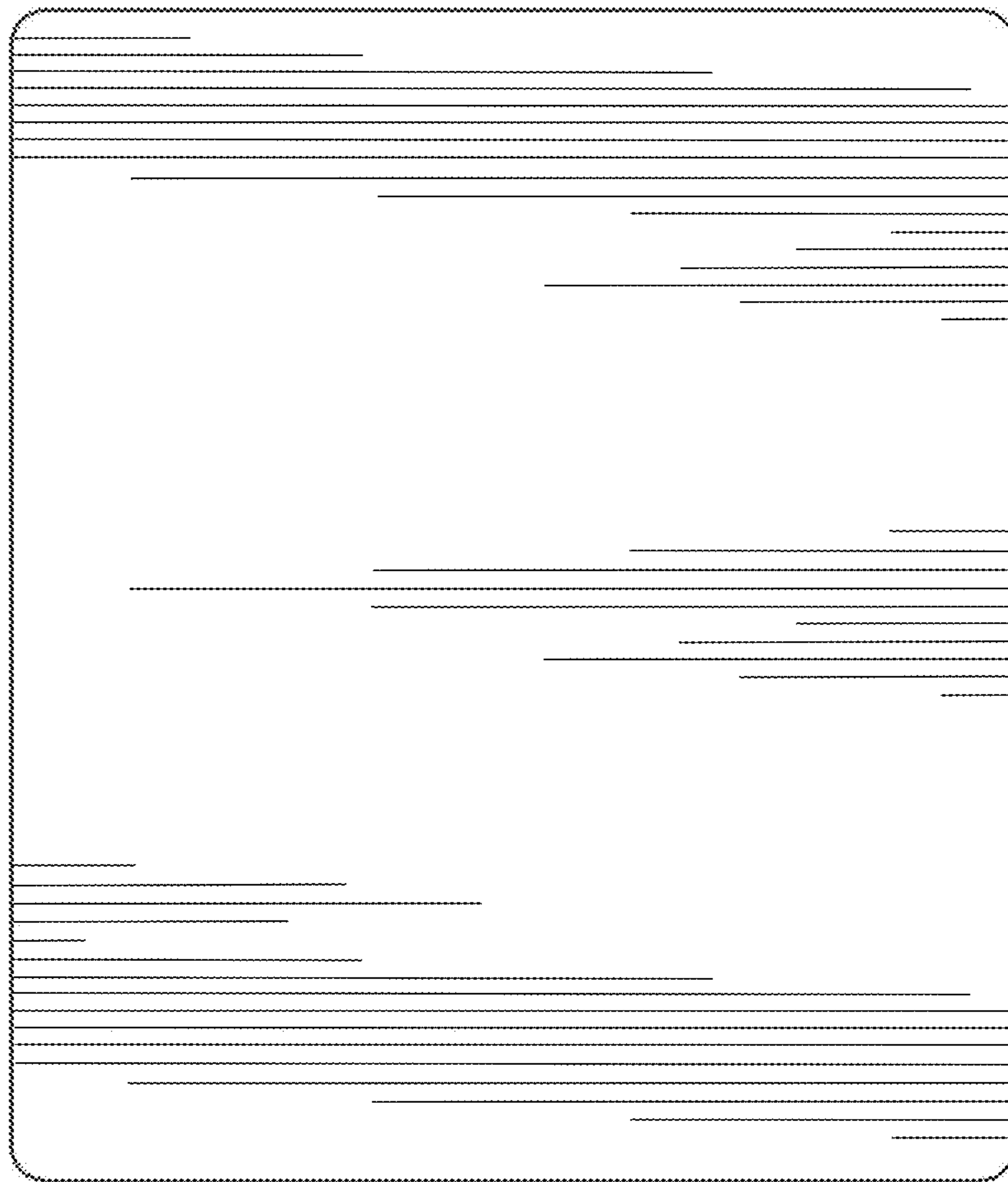
**FIG. 2**



*FIG. 3*



*FIG. 4*



*FIG. 5*

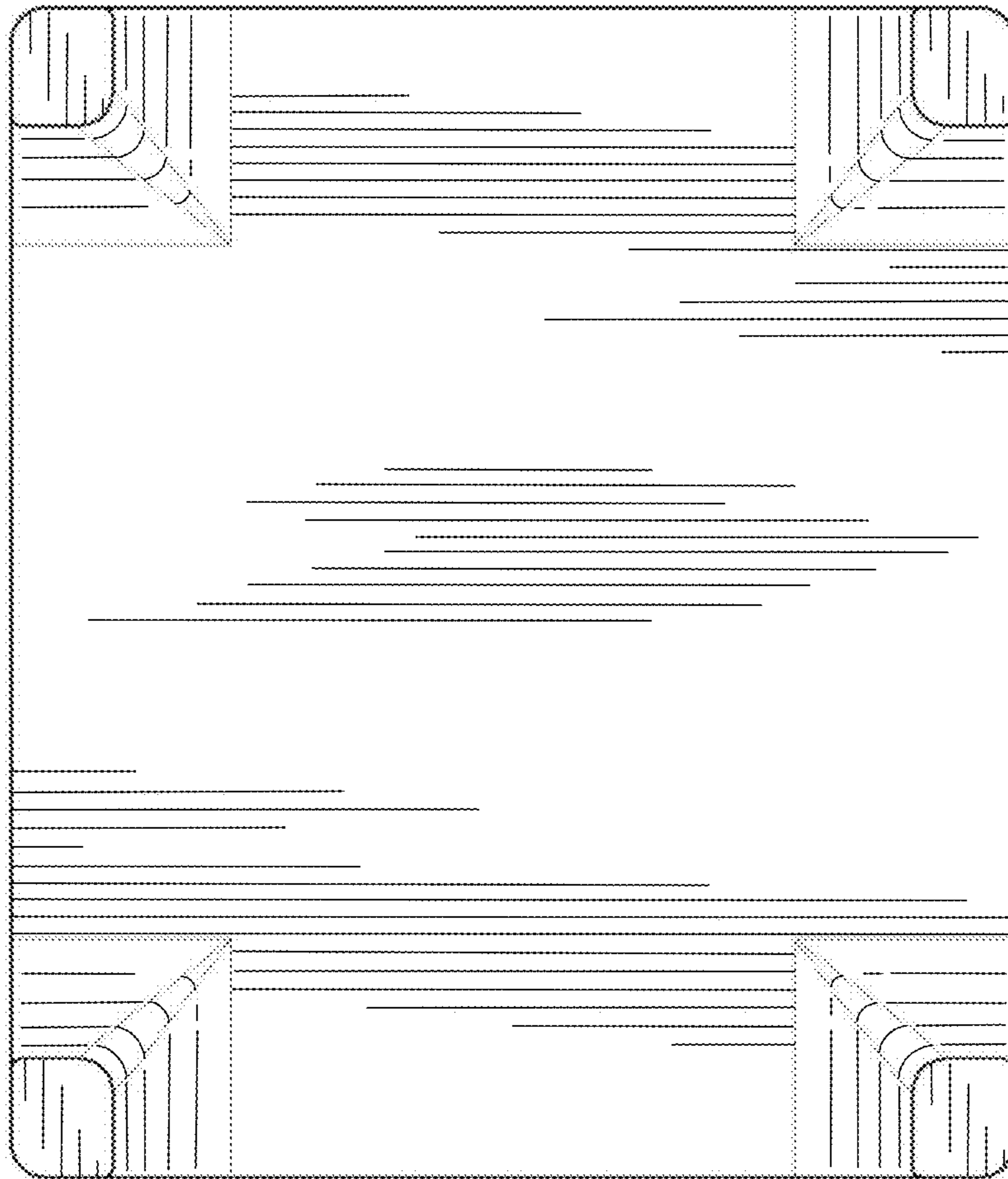


FIG. 6

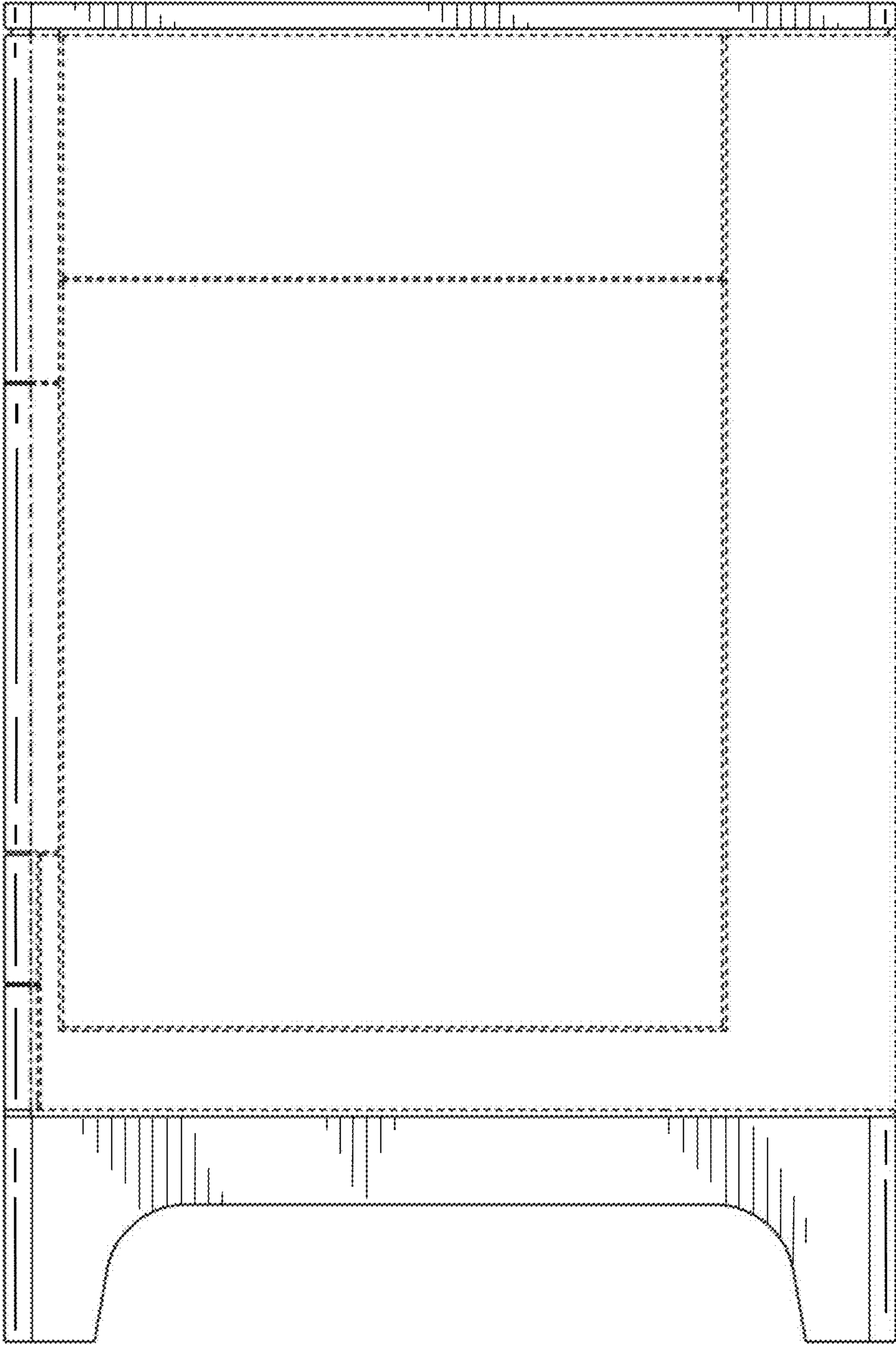


FIG. 7



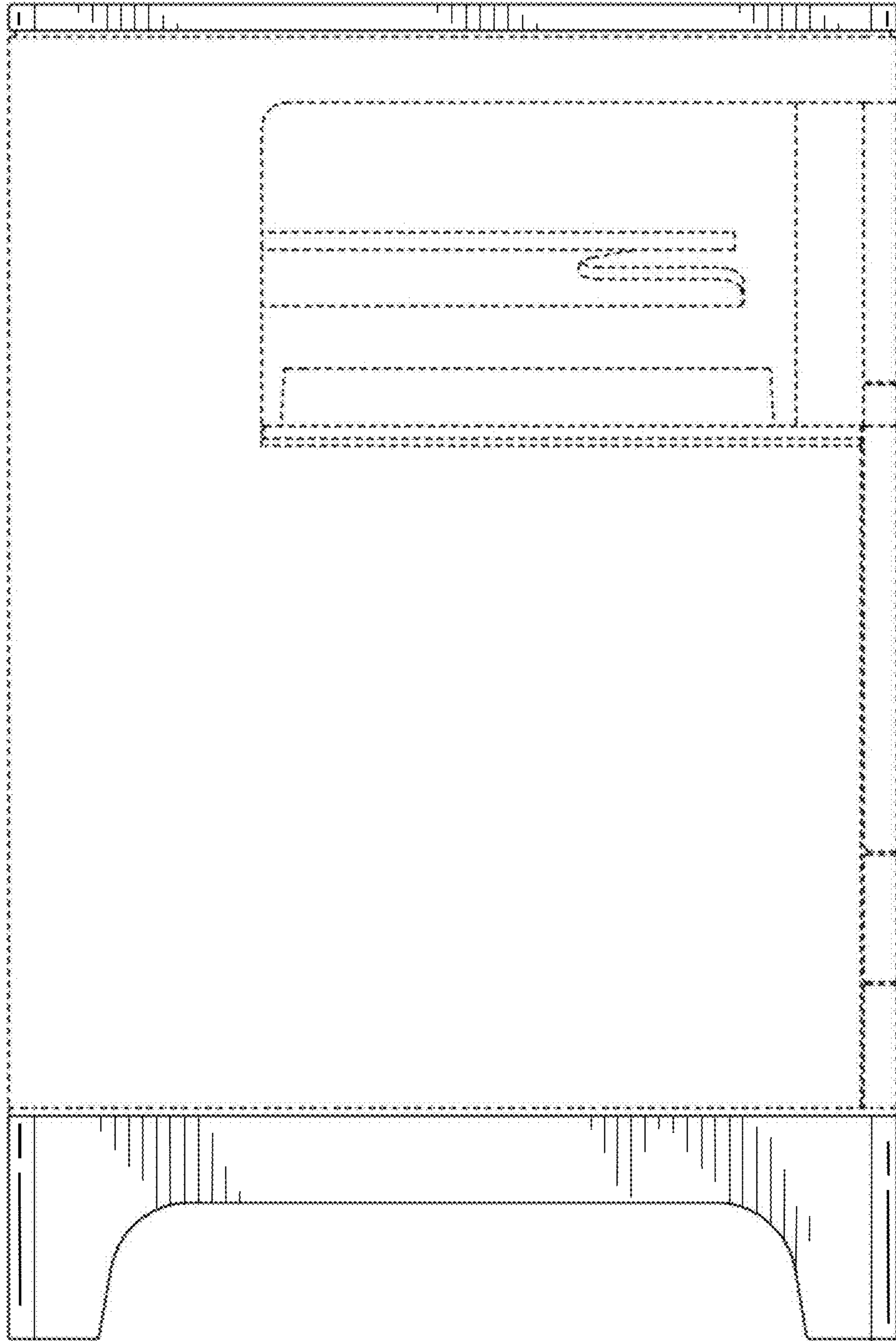


FIG. 8