



US00D872171S

(12) **United States Design Patent**
Luo et al.

(10) **Patent No.:** **US D872,171 S**
(45) **Date of Patent:** **** Jan. 7, 2020**

(54) **CASH REGISTER**

FOREIGN PATENT DOCUMENTS

(71) Applicant: **PAX COMPUTER TECHNOLOGY (SHENZHEN) CO., LTD.**, Shenzhen, Guangdong (CN)

CN 206961261 U * 2/2018
CN 206961262 U * 2/2018

(72) Inventors: **Shaowen Luo**, Guangdong (CN); **Jigui Li**, Guangdong (CN); **Zhihua Lin**, Guangdong (CN); **Yan Chen**, Guangdong (CN); **Chenghe Yang**, Guangdong (CN)

OTHER PUBLICATIONS

Terminals and Cash Registers. (Design—© Questel) orbit.com. [online PDF] 32 pgs. Print Dates Range Mar. 11, 2016 through Sep. 7, 2018. [Retrieved on Dec. 27, 2018] <https://sobjprd.questel.fr/export/QPTUJ214/pdf2/5b9014a7-9feb-4dce-9a69-fb0e9be59057-172549.pdf>.*

(73) Assignee: **PAX COMPUTER TECHNOLOGY (SHENZHEN) CO., LTD.**, Shenzhen, Guangdong (CN)

(Continued)

(**) Term: **15 Years**

Primary Examiner — Marie D. Fast Horse

(21) Appl. No.: **29/616,059**

(74) *Attorney, Agent, or Firm* — Rankin, Hill & Clark LLP

(22) Filed: **Sep. 1, 2017**

(57) **CLAIM**

The ornamental design for a cash register, as shown and described.

(30) **Foreign Application Priority Data**

DESCRIPTION

Mar. 1, 2017 (CN) 2017 3 0055611

(51) **LOC (12) Cl.** **18-01**

(52) **U.S. Cl.**
USPC **D18/4.4**; D18/4.1; D18/4.6

(58) **Field of Classification Search**
USPC D18/2, 4.1, 4.3, 4.4, 4.5, 4.6, 99;
D14/300, 307, 336, 339, 356, 357, 383,
D14/385, 386, 388, 421, 496, 129, 133,
D14/299, 900, 901, 902; D10/46, 104.1;
D20/1

FIG. 1 is a perspective view of a cash register;
FIG. 2 is a front view of the cash register;
FIG. 3 is a rear view of the cash register;
FIG. 4 is a left side view of the cash register;
FIG. 5 is a right side view of the cash register;
FIG. 6 is a top view of the cash register;
FIG. 7 is a bottom view of the cash register;
FIG. 8 is an enlarged view of the circled portion I in FIG. 1;
FIG. 9 is an enlarged view of the circled portion II in FIG. 2; and,
FIG. 10 is an enlarged view of the circled portion III in FIG. 7.

(Continued)

The broken lines consisting of the extra-long dashes depict reference to the enlargements shown in the figures and form no part of the claim; while all other broken lines in the drawings depict portions of the cash register that form no part of the claimed design.

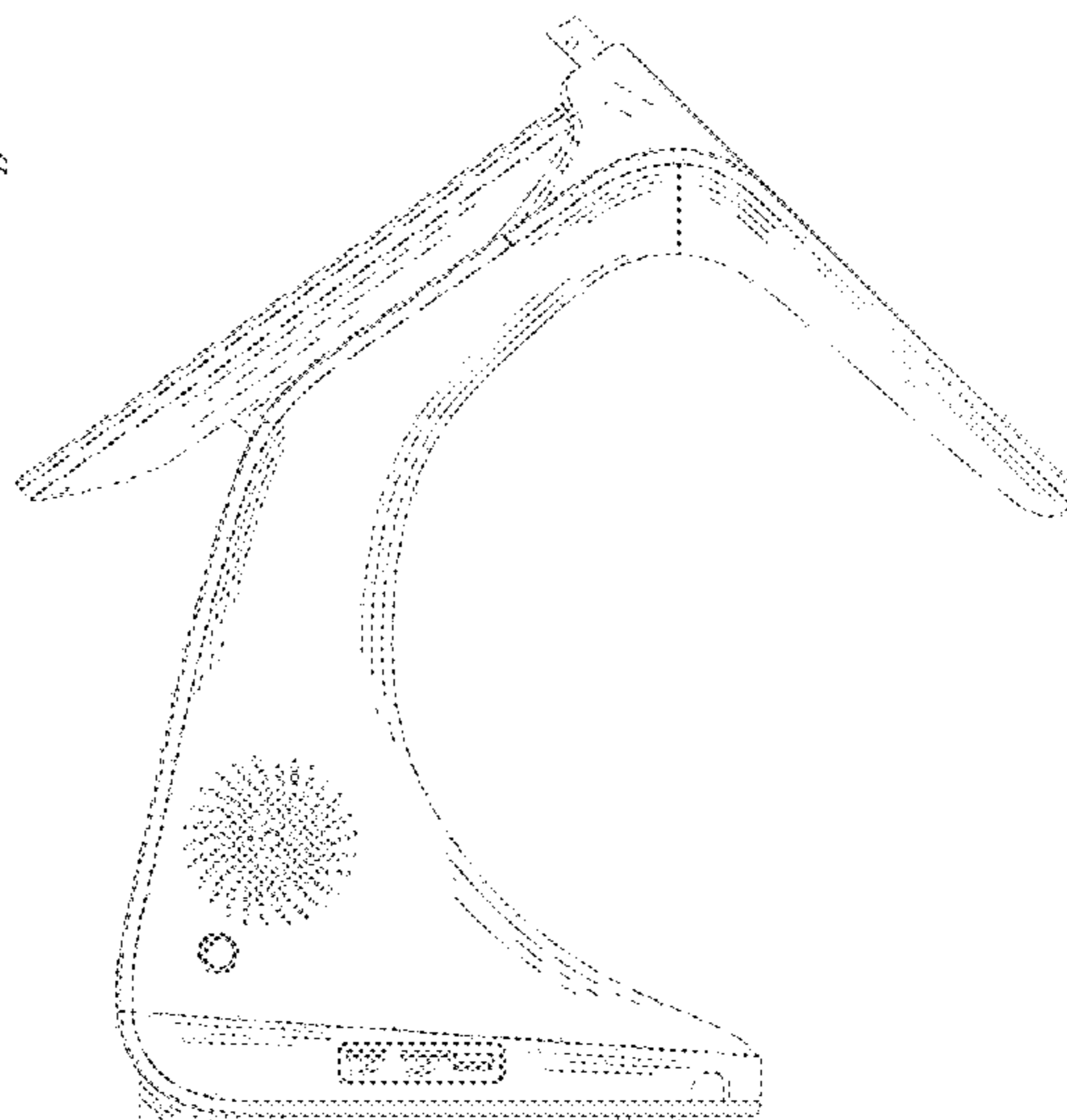
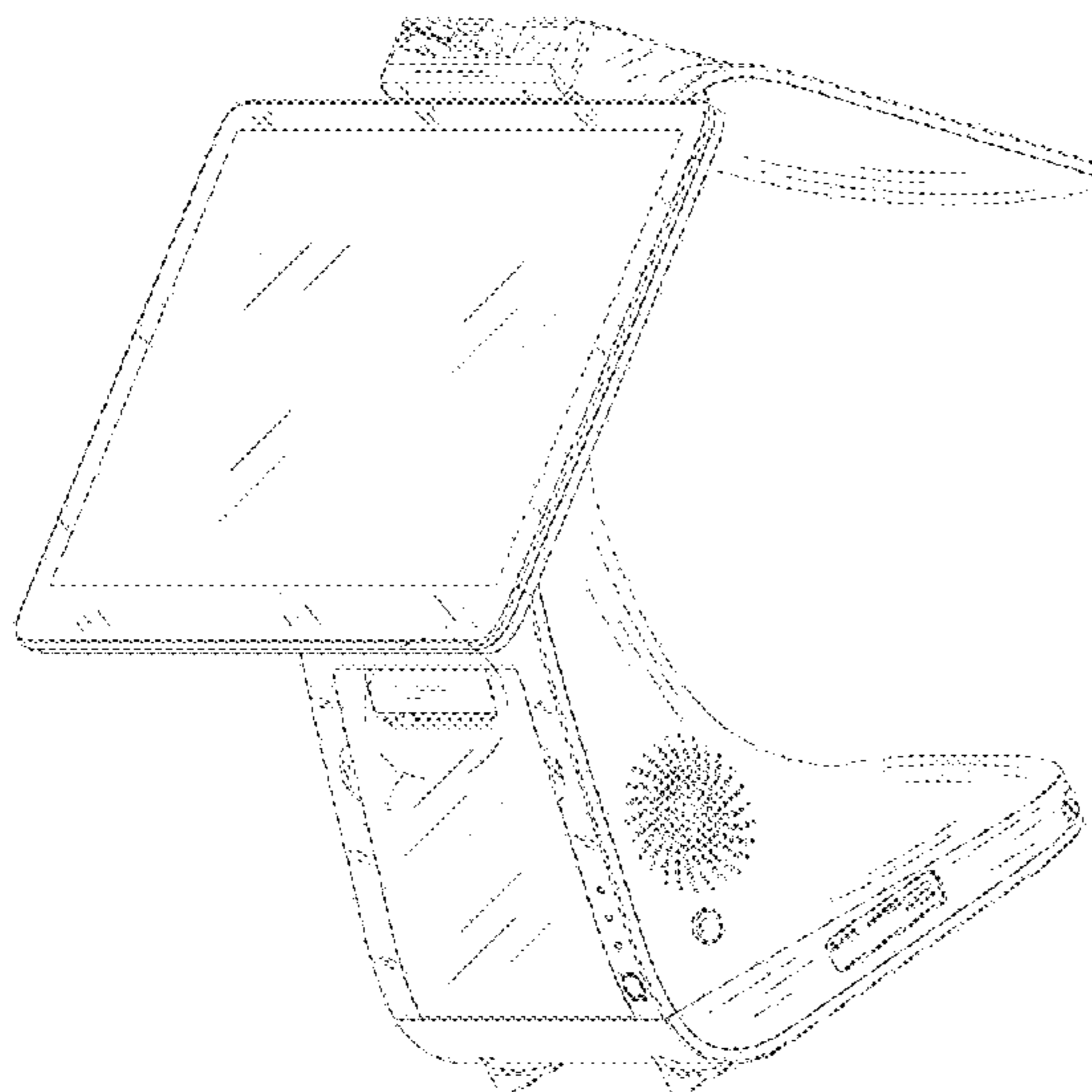
(56) **References Cited**

U.S. PATENT DOCUMENTS

D458,255 S * 6/2002 Hsu D18/4.5
D569,898 S * 5/2008 Masuda D18/4.5

(Continued)

1 Claim, 10 Drawing Sheets



(58) **Field of Classification Search**
 CPC .. G07G 1/00; G07G 1/12; G07G 1/14; G07G
 1/0009; G07G 1/0018; G07F 7/0873;
 G07F 7/088; G06Q 20/00; G06Q 20/08;
 G06Q 20/20; G06Q 30/0238
 See application file for complete search history.

(56) **References Cited**

U.S. PATENT DOCUMENTS

D686,654	S	*	7/2013	Kim	D18/4.6
D687,484	S	*	8/2013	Eun	D18/4.6
D706,864	S	*	6/2014	Branck	D18/4.6
D707,288	S	*	6/2014	Branck	D18/4.6
D741,853	S	*	10/2015	Barron	D18/4.4
D763,247	S	*	8/2016	Yepez	D14/307
D778,982	S	*	2/2017	Beatty	D18/4.5
D806,698	S	*	1/2018	Thompson	D14/307
D814,559	S	*	4/2018	Oross	D18/4.4
D818,524	S	*	5/2018	Dong	G07G 1/0018 D18/4.4
D829,704	S	*	10/2018	Oross	D14/307
D829,705	S	*	10/2018	Oross	D14/307
D831,106	S	*	10/2018	Saeed	D18/4.5
D842,296	S	*	3/2019	Oross	D14/307
D849,832	S	*	5/2019	Baker	D18/4.5
D857,791	S	*	8/2019	Luo	D18/4.1
2013/0262248	A1	*	10/2013	Kim	G07G 1/0018 705/17

2015/0001291	A1	*	1/2015	Govindarajan	G07G 1/0018 235/380
2016/0070964	A1	*	3/2016	Conrad	G07G 1/0018 348/150
2016/0132856	A1	*	5/2016	Nishiie	G07G 1/0018 705/24
2016/0232508	A1	*	8/2016	Nishiie	G07G 1/0018
2017/0140615	A1	*	5/2017	Larnac	G07G 1/0018
2017/0150812	A1	*	6/2017	Tomomatsu	G07G 1/0018
2017/0161704	A1	*	6/2017	Rimer	G07G 1/0018
2017/0206750	A1	*	7/2017	Baitz	G07G 1/0018
2018/0075709	A1	*	3/2018	Watanabe	G07G 1/0018
2018/0308083	A1	*	10/2018	Do	G06Q 20/206
2019/0004572	A1	*	1/2019	Luo	G07G 1/01
2019/0005476	A1	*	1/2019	Luo	G07G 1/01

OTHER PUBLICATIONS

E800_Q20_larger_wgdruy. (Online image) 1 pg. Posted as early as May 28, 2017. [Retrieved on Dec. 27, 2018] https://www.google.com/search?biw=1665&bih=1031&tbs=cdr%3A1%2Ccd_max%3A5%2F28%2F2017&tbm=isch&sa=1&ei=qxsIXJi2GISu5wKRqpbQAw&q=E800_Q20_larger_wgdruy.png&oq=E800_Q20_larger_wgdruy.png&gs_l=img.12...26442.31246.*
 e800.paxfaqs.files.wordpress.com. (Online image) 1 pg. Posted May 2017. [Retrieved on Dec. 27, 2018] https://paxfaqs.files.wordpress.com/2017/05/e800.png?w=300&h=267.*

* cited by examiner

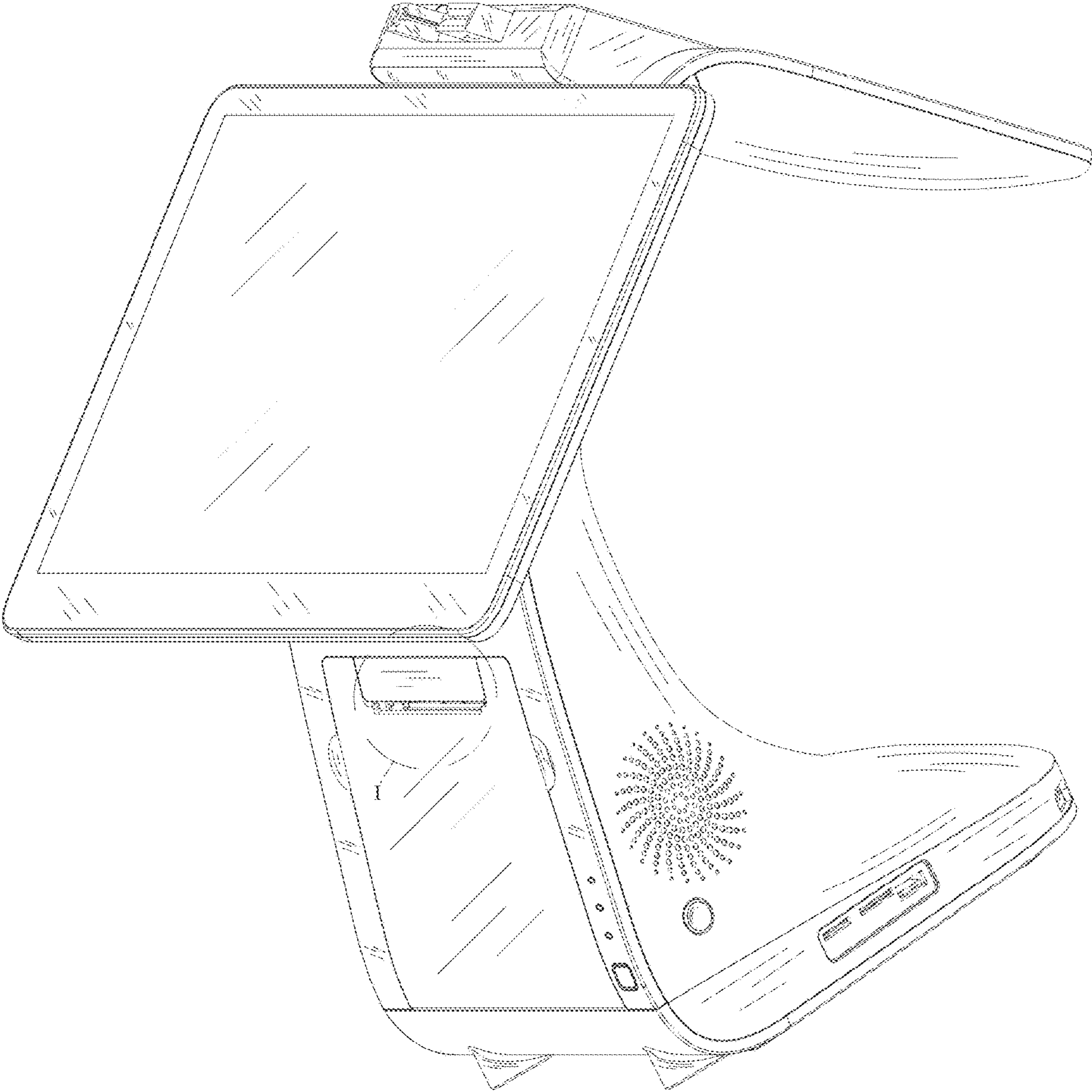


FIG. 1

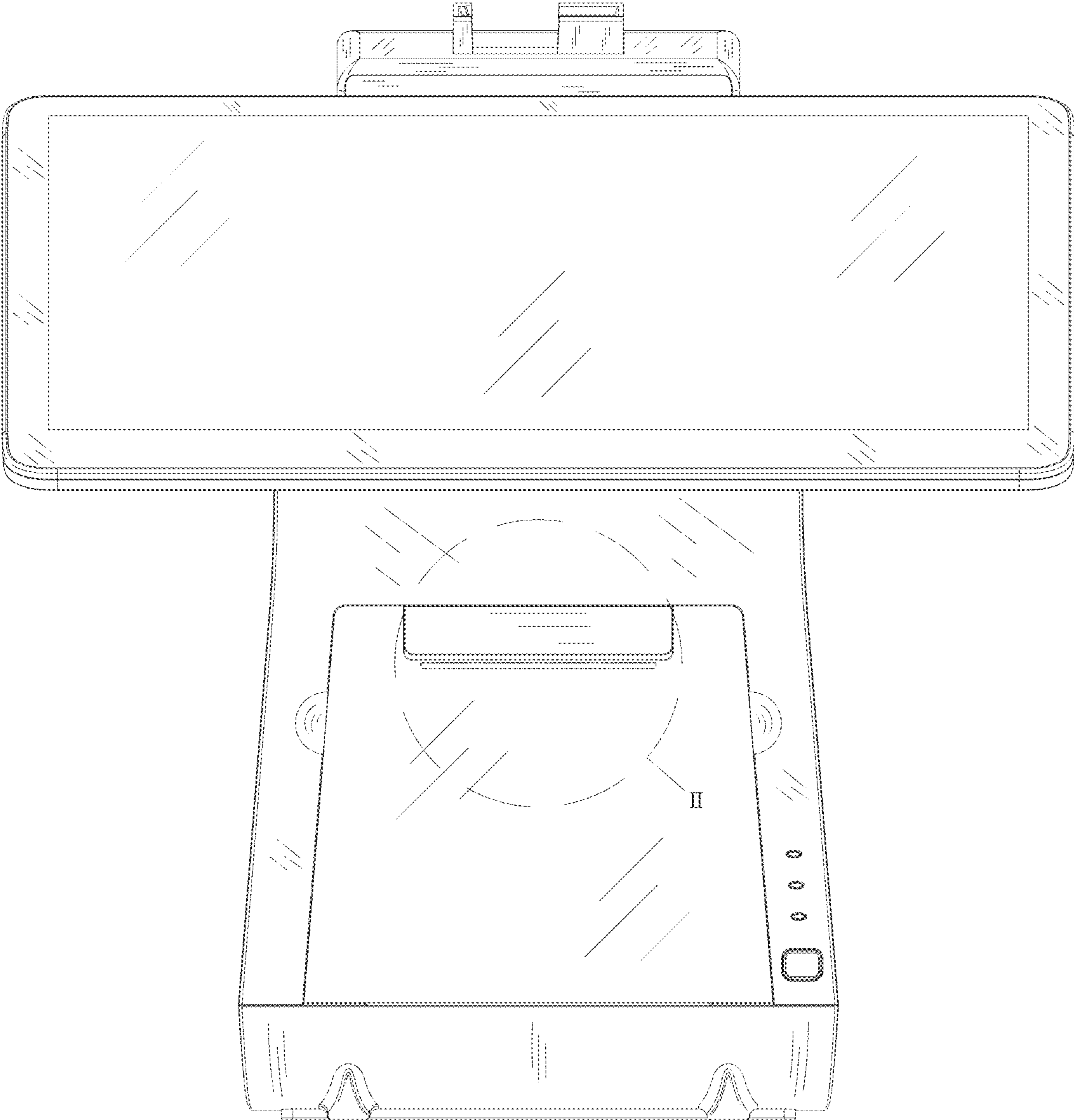


FIG. 2

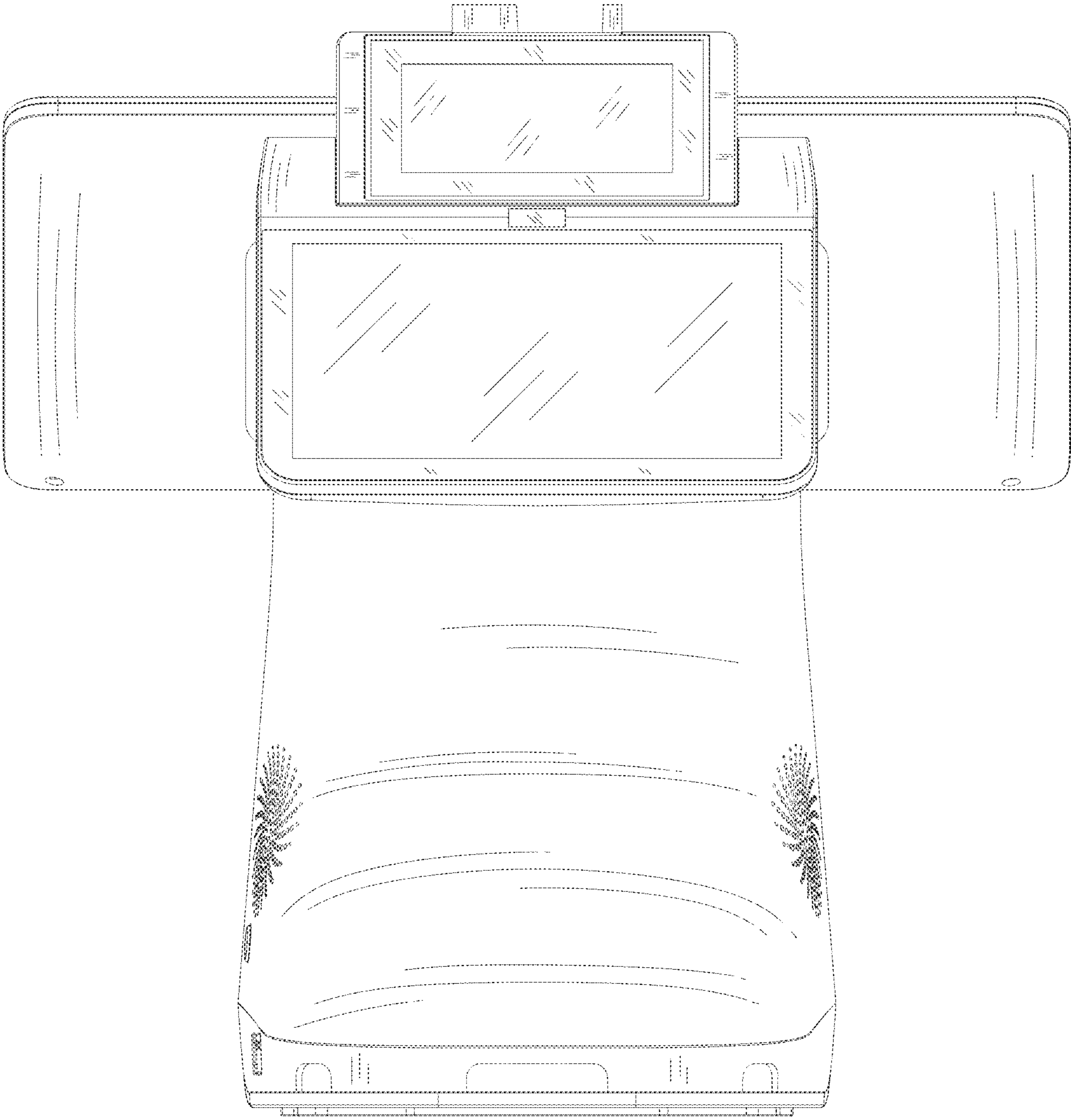


FIG. 3

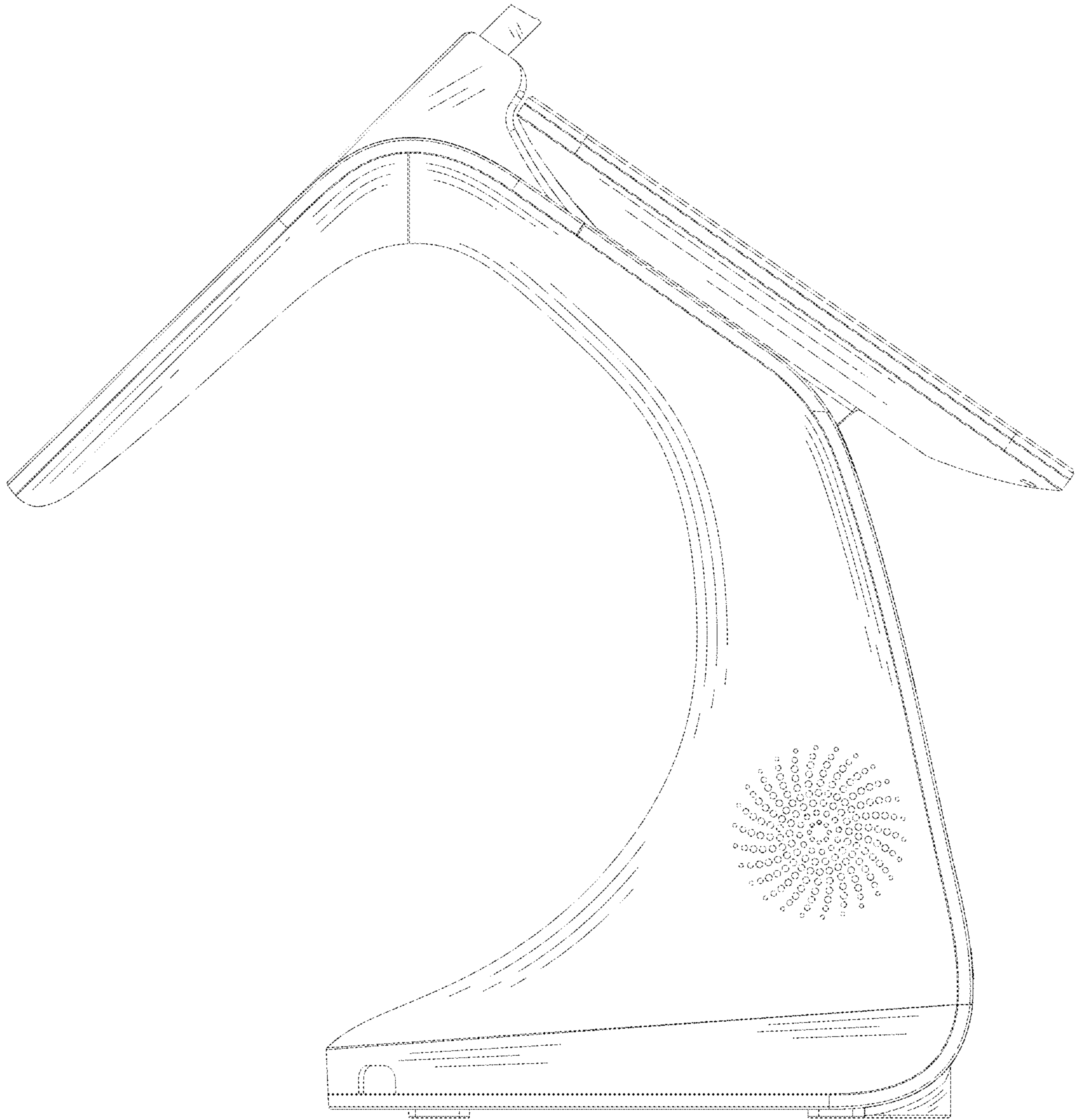


FIG. 4

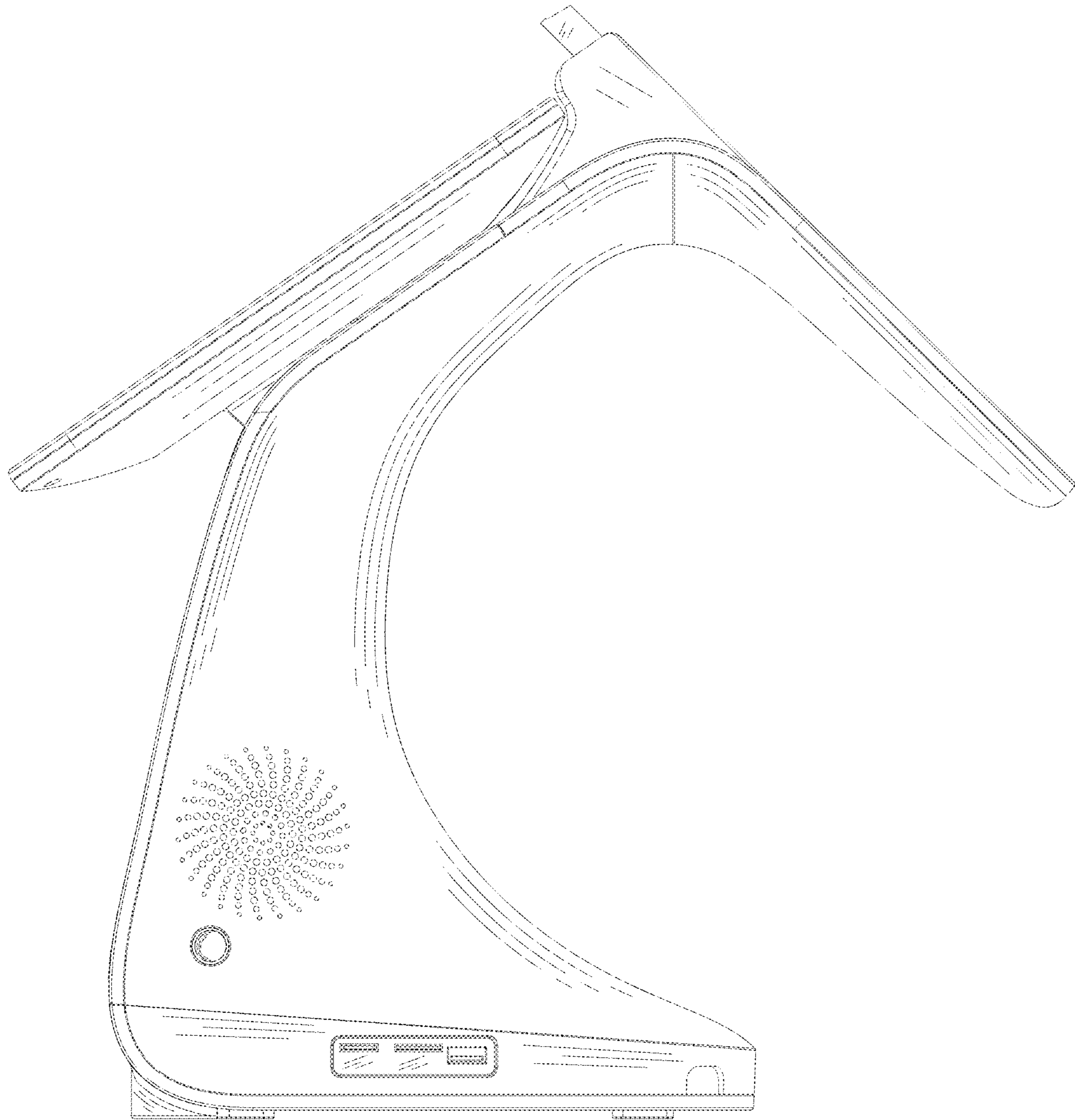


FIG. 5

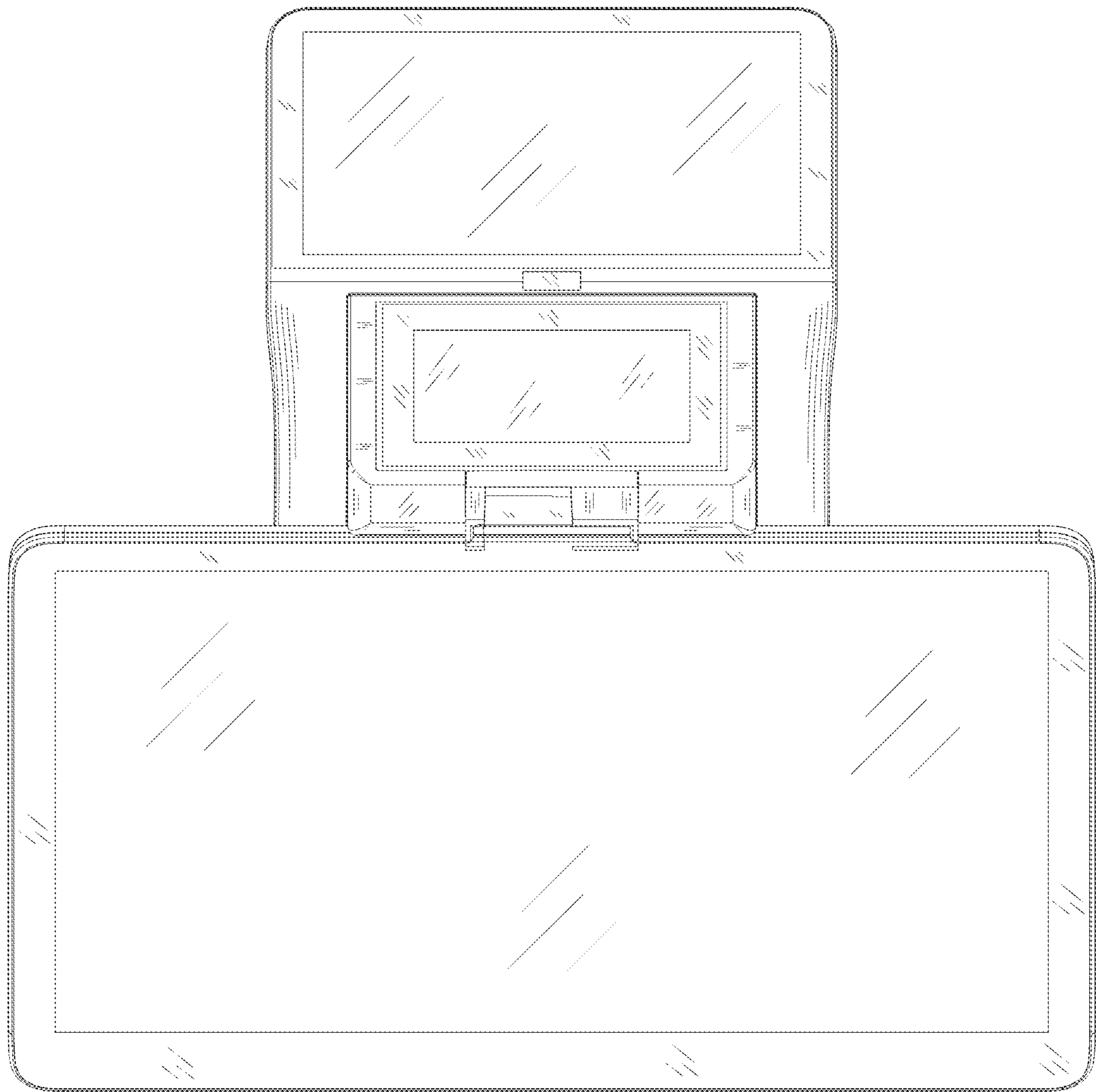


FIG. 6

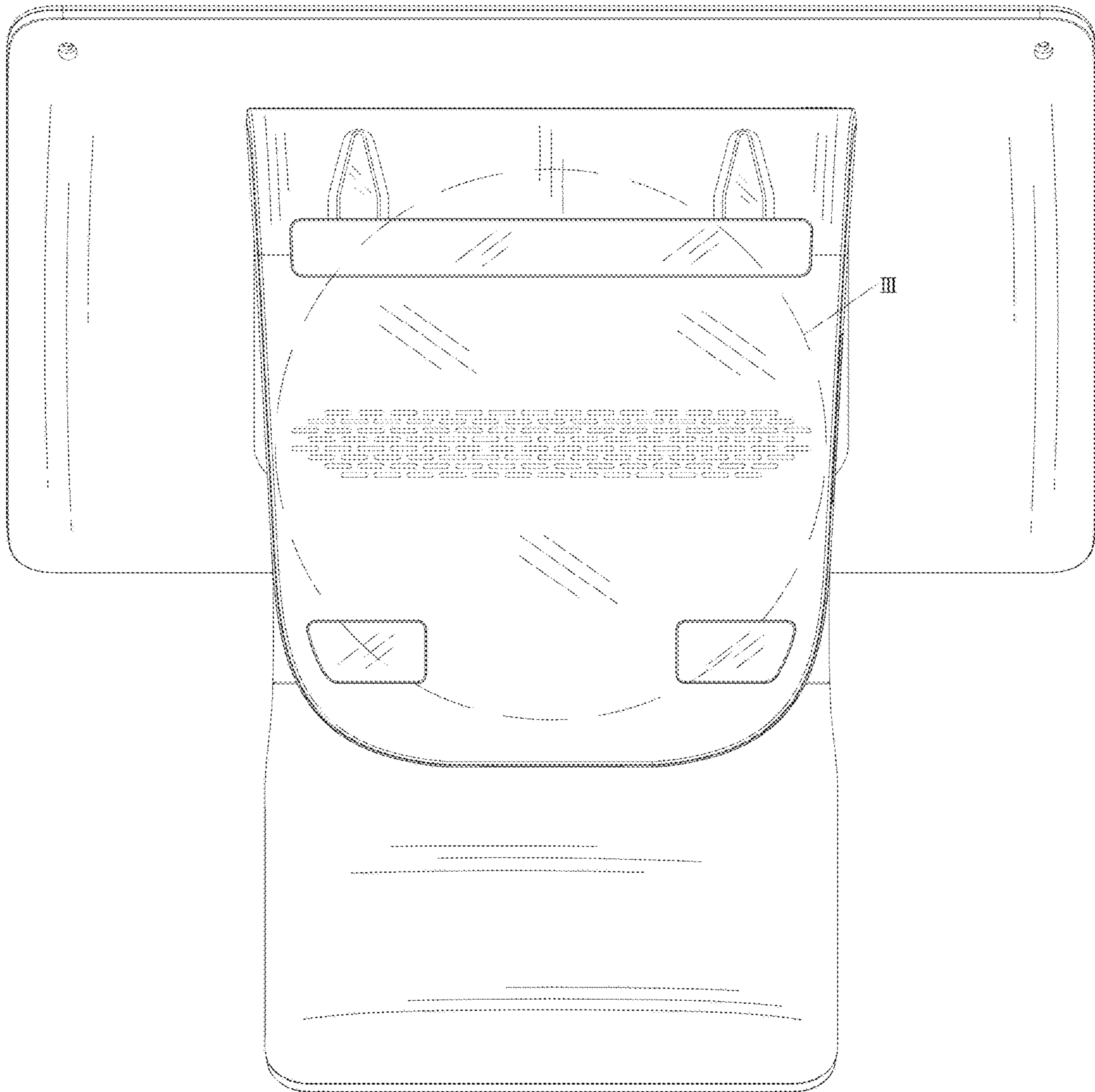


FIG. 7

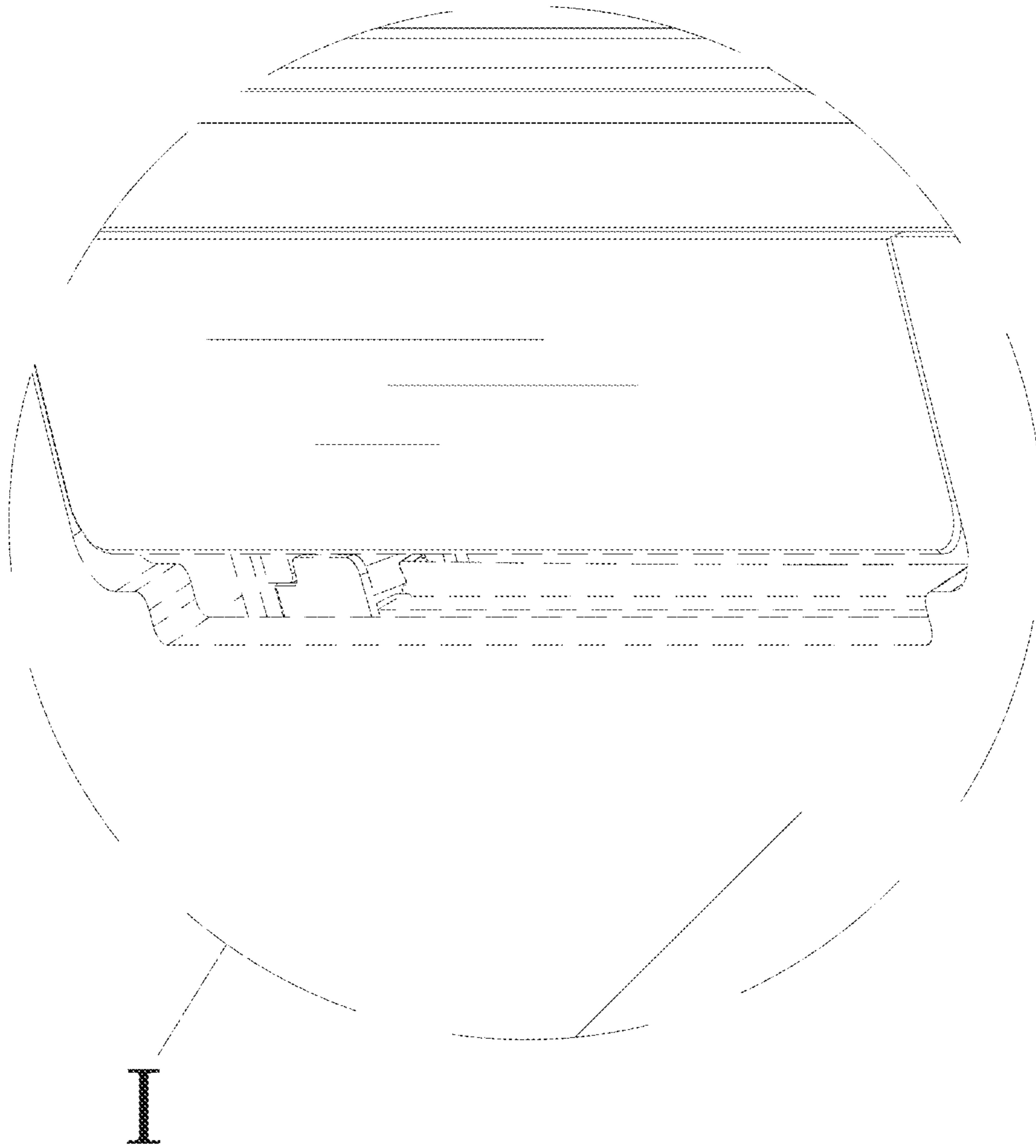


FIG. 8

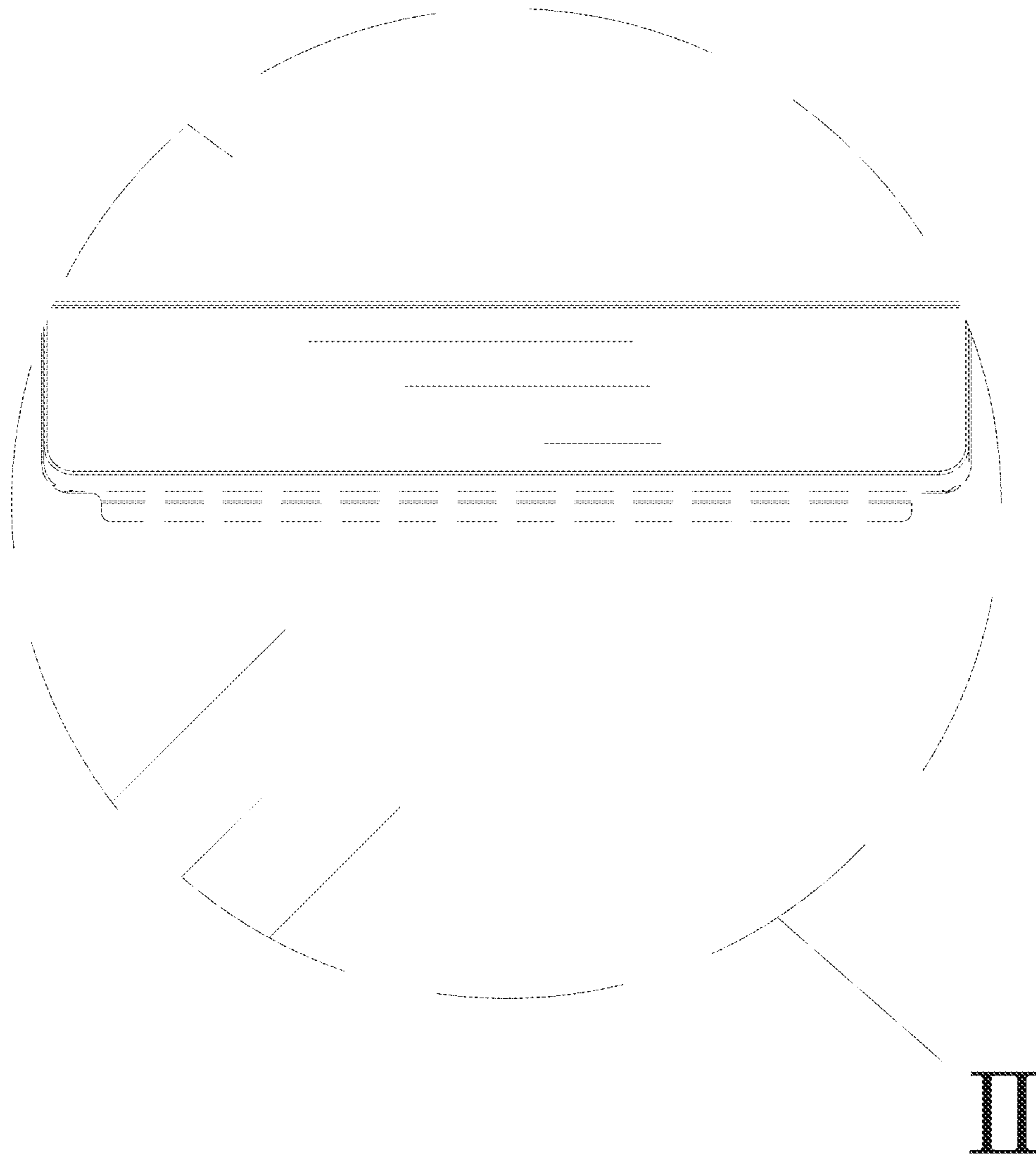


FIG. 9

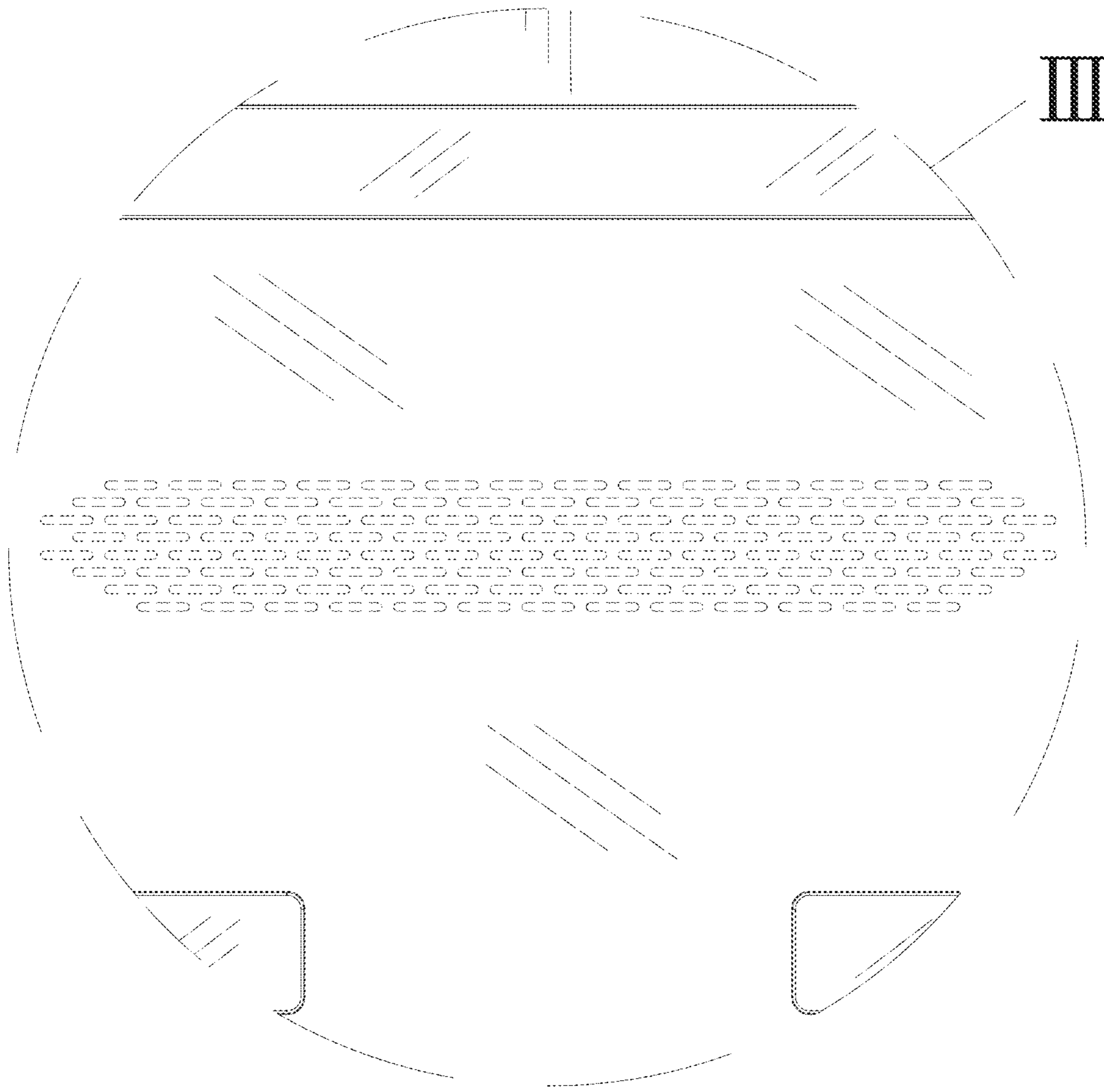


FIG. 10