



US00D872168S

(12) **United States Design Patent**  
**Zhang**

(10) **Patent No.:** **US D872,168 S**

(45) **Date of Patent:** **\*\* Jan. 7, 2020**

(54) **SKI GOGGLES**

(71) Applicant: **Aiping Zhang**, Jiangxi (CN)

(72) Inventor: **Aiping Zhang**, Jiangxi (CN)

(\*\*) Term: **15 Years**

(21) Appl. No.: **29/628,408**

(22) Filed: **Dec. 5, 2017**

(51) **LOC (12) Cl.** ..... **16-06**

(52) **U.S. Cl.**  
USPC ..... **D16/312**

(58) **Field of Classification Search**  
USPC ..... D16/101, 300-342, 900; D29/109-110;  
351/41, 44, 45-48, 51-52, 62, 158, 92,  
351/103-123, 140-153, 63, 59; 2/13, 15,  
2/426-432, 447-449, 441, 434-437  
CPC ..... G02C 2200/08; G02C 1/06; G02C 5/14;  
G02C 11/02; G02C 11/04; G02C 5/16;  
G02C 2200/22; G02C 5/146; G02C  
5/2254; G02C 5/008; G01C 5/16; A61M  
2021/0044; A63B 33/002  
See application file for complete search history.

(56) **References Cited**

**U.S. PATENT DOCUMENTS**

- 3,517,393 A \* 6/1970 Beauchef ..... G02C 11/08  
2/436
- D327,490 S \* 6/1992 Wilson ..... D16/312
- D405,102 S \* 2/1999 Moritz ..... D16/312
- 6,047,410 A \* 4/2000 Dondero ..... A61F 9/027  
2/426
- D427,225 S \* 6/2000 Arnette ..... D16/312
- D428,039 S \* 7/2000 Thixton ..... D16/312
- 6,098,204 A \* 8/2000 Arnette ..... A61F 9/02  
2/202
- D477,010 S \* 7/2003 Moritz ..... D16/312
- D484,524 S \* 12/2003 Wiedner ..... D16/312
- D488,182 S \* 4/2004 Sheldon ..... D16/312

- D503,422 S \* 3/2005 Canavan ..... D16/101
- D505,444 S \* 5/2005 Borlet ..... D16/312
- D508,939 S \* 8/2005 Hussey ..... D16/312
- D509,236 S \* 9/2005 Sheldon ..... D16/306
- D519,147 S \* 4/2006 Moritz ..... D16/312
- D524,352 S \* 7/2006 Hsu ..... D16/312
- D527,757 S \* 9/2006 Chen ..... D16/312
- D537,099 S \* 2/2007 Saderholm ..... D16/312
- D537,100 S \* 2/2007 Moritz ..... D16/312
- D542,327 S \* 5/2007 Hsu ..... D16/312
- D542,829 S \* 5/2007 Hsu ..... D16/312
- D542,830 S \* 5/2007 Hsu ..... D16/312
- D544,900 S \* 6/2007 Li ..... D16/312
- D547,354 S \* 7/2007 Fuchs ..... D16/312
- D549,267 S \* 8/2007 Chen ..... D16/312
- D551,278 S \* 9/2007 Moritz ..... D16/312
- D551,280 S \* 9/2007 Li ..... D16/312
- D552,662 S \* 10/2007 Woxing ..... D16/312
- D556,238 S \* 11/2007 Yang ..... D16/312
- D556,811 S \* 12/2007 Bruck ..... D16/312

(Continued)

**FOREIGN PATENT DOCUMENTS**

GB 6068391 \* 8/2019

*Primary Examiner* — Michelle E. Wilson

*Assistant Examiner* — Sanjeev Paul

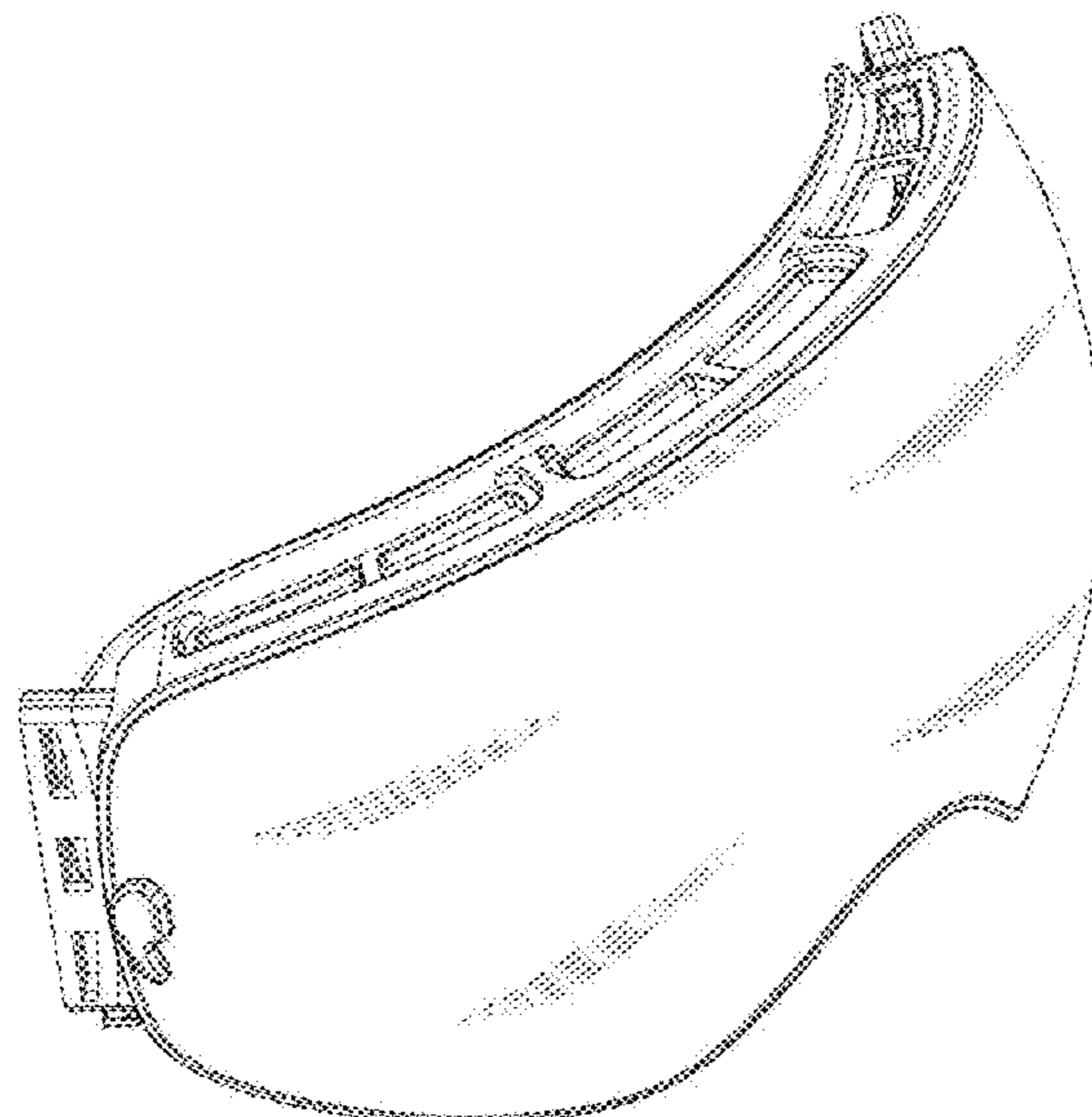
(57) **CLAIM**

I claim the ornamental design for a ski goggles, as shown and described.

**DESCRIPTION**

FIG. 1 is a perspective view of a ski goggles showing my new design;  
FIG. 2 is a front elevational view thereof;  
FIG. 3 is a rear elevational view thereof;  
FIG. 4 is a left side elevational view thereof;  
FIG. 5 is a right side elevational view thereof;  
FIG. 6 is a top plan view thereof; and,  
FIG. 7 is a bottom plan view thereof.

**1 Claim, 7 Drawing Sheets**



(56)

References Cited

U.S. PATENT DOCUMENTS

D556,812 S *	12/2007	Wang-Lee	.....	D16/312	D761,344 S *	7/2016	Chen	.....	D16/312
D559,299 S *	1/2008	Tabacchi	.....	D16/303	D784,441 S *	4/2017	Garfias	.....	D16/312
7,322,051 B1 *	1/2008	Wang	.....	A61F 9/027	D802,651 S *	5/2017	Chen	.....	D16/312
				2/448	D821,485 S *	11/2017	Thixton	.....	D16/330
D577,054 S *	9/2008	Moritz	.....	D16/312	9,943,444 B2 *	4/2018	Kilduff	.....	A61F 9/025
D578,562 S *	10/2008	Moritz	.....	D16/312	D828,866 S *	6/2018	Yoo	.....	D16/313
D581,964 S *	12/2008	Hooper	.....	D16/311	D829,810 S *	9/2018	Yoo	.....	D16/313
D592,694 S *	5/2009	Fuchs	.....	D16/312	D830,448 S *	10/2018	Nellestam	.....	D16/313
D595,332 S *	6/2009	Yang	.....	D16/312	D834,087 S *	10/2018	Hardi	.....	D16/301
D598,040 S *	8/2009	Sheldon	.....	D16/312	D834,755 S *	11/2018	Yoo	.....	D16/313
D608,816 S *	1/2010	Wang-Lee	.....	D16/312	D847,248 S *	11/2018	Schempp	.....	D29/110
D609,265 S *	2/2010	Wang-Lee	.....	D16/312	2003/0110552 A1 *	4/2019	Liang	.....	D16/313
D610,602 S *	2/2010	Yun	.....	D16/312	2003/0110552 A1 *	6/2003	Youmans	.....	A61F 9/028
D616,483 S *	5/2010	Moritz	.....	D16/312					2/426
D616,914 S *	6/2010	Moritz	.....	D16/312	2003/0233702 A1 *	12/2003	Chen	.....	A61F 9/027
D620,969 S *	8/2010	Cyr	.....	D16/312					2/428
D626,166 S *	10/2010	Yang	.....	D16/312	2005/0160521 A1 *	7/2005	Hussey	.....	A61F 9/027
D626,582 S *	11/2010	Cheng	.....	D16/326					2/436
D629,034 S *	12/2010	McNeal	.....	A61F 9/025	2007/0033718 A1 *	2/2007	Lin	.....	A61F 9/026
				D16/312					2/448
D629,035 S *	12/2010	Moritz	.....	D16/312	2007/0169252 A1 *	7/2007	Rayl	.....	A61F 9/025
D629,442 S *	12/2010	Tominaga	.....	D16/312					2/435
D633,937 S *	3/2011	Yasuhara	.....	D16/312	2008/0013000 A1 *	1/2008	Park	.....	A61F 9/023
D640,724 S *	6/2011	Goodman	.....	D16/312					349/13
D649,178 S *	11/2011	Moritz	.....	D16/312	2008/0301857 A1 *	12/2008	Wang-Lee	.....	A61F 9/025
D649,577 S *	11/2011	Goodman	.....	D16/312					2/431
D653,686 S *	2/2012	Tobia	.....	D16/101	2008/0316421 A1 *	12/2008	Wang	.....	A61F 9/025
D653,695 S *	2/2012	Tobia	.....	D16/312					351/62
D657,812 S *	4/2012	Li	.....	D16/312	2009/0038059 A1 *	2/2009	McNeal	.....	A61F 9/025
D659,742 S *	5/2012	Chen	.....	D16/312					2/439
D669,113 S *	10/2012	Sandor	.....	D16/309	2009/0100577 A1 *	4/2009	Kobayashi	.....	A61F 9/02
D670,753 S *	11/2012	Chen	.....	D16/312					2/436
D675,244 S *	1/2013	Orzeck	.....	D16/312	2011/0296596 A1 *	12/2011	Chen	.....	A61F 9/028
8,371,691 B2 *	2/2013	Chiou	.....	G02C 9/00					2/436
				351/47	2012/0236250 A1 *	9/2012	Yang	.....	G02C 7/02
D678,932 S *	3/2013	Moritz	.....	D16/312					351/62
D687,479 S *	8/2013	Moritz	.....	D16/312	2013/0014316 A1 *	1/2013	Castro	.....	A41D 13/1184
D687,480 S *	8/2013	Castro	.....	D16/312					2/424
D687,881 S *	8/2013	Ginther	.....	D16/312	2013/0185849 A1 *	7/2013	Laughlin	.....	A61F 9/025
D694,806 S *	12/2013	Mage	.....	D16/312					2/431
D695,335 S *	12/2013	Goodman	.....	D16/312	2014/0033408 A1 *	2/2014	Currens	.....	A61F 9/025
D695,818 S *	12/2013	Laperriere	.....	D16/312					2/431
D698,854 S *	2/2014	McNeal	.....	D16/312	2014/0182754 A1 *	7/2014	Young	.....	A45F 5/02
D700,929 S *	3/2014	McNeal	.....	D16/312					150/154
D711,961 S *	8/2014	Arnette	.....	D16/312	2014/0331394 A1 *	11/2014	Paolo	.....	A61F 9/026
D714,378 S *	9/2014	Sandor	.....	D16/313					2/439
D715,350 S *	10/2014	Moritz	.....	D16/312	2015/0202087 A1 *	7/2015	Chen	.....	A61F 9/026
D717,851 S *	11/2014	Arnette	.....	D16/101					2/431
D718,369 S *	11/2014	Janavicius	.....	D16/312	2015/0290036 A1 *	10/2015	Wang-Lee	.....	A61F 9/026
D723,094 S *	2/2015	Chen	.....	D16/312					2/428
D725,175 S *	3/2015	Wang-Lee	.....	D16/312	2015/0297410 A1 *	10/2015	Park	.....	A61F 9/028
D726,378 S *	4/2015	Wako	.....	D29/110					2/436
D727,398 S *	4/2015	Blanchard	.....	D16/312	2015/0320600 A1 *	11/2015	Blanchard	.....	A61F 9/025
D729,303 S *	5/2015	Laperriere	.....	D16/326					2/431
D747,758 S *	1/2016	Lee	.....	D16/312	2015/0374550 A1 *	12/2015	Saylor	.....	A61F 9/028
D757,833 S *	5/2016	Pfanner	.....	D16/101					2/436

\* cited by examiner



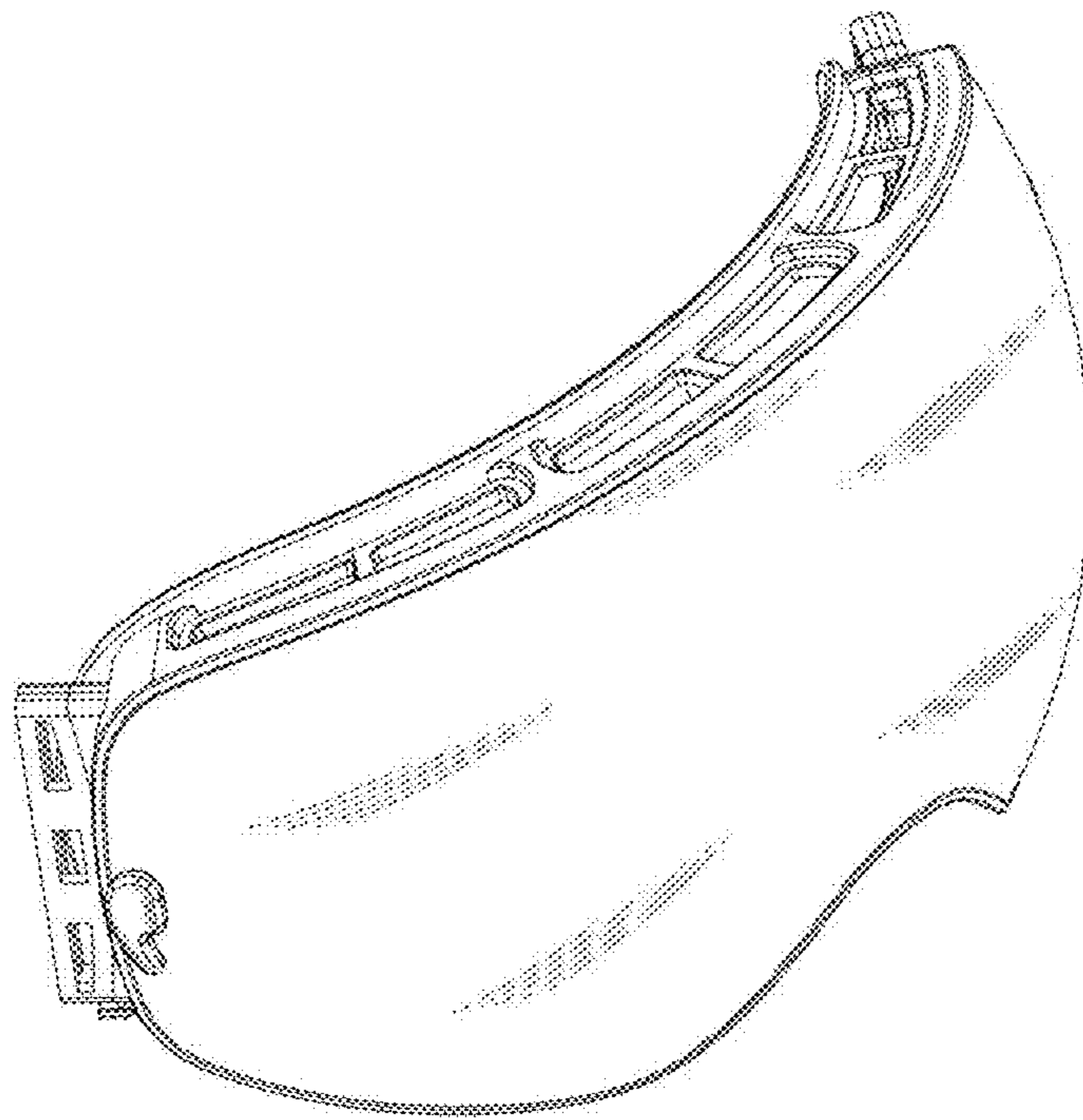


FIG.1

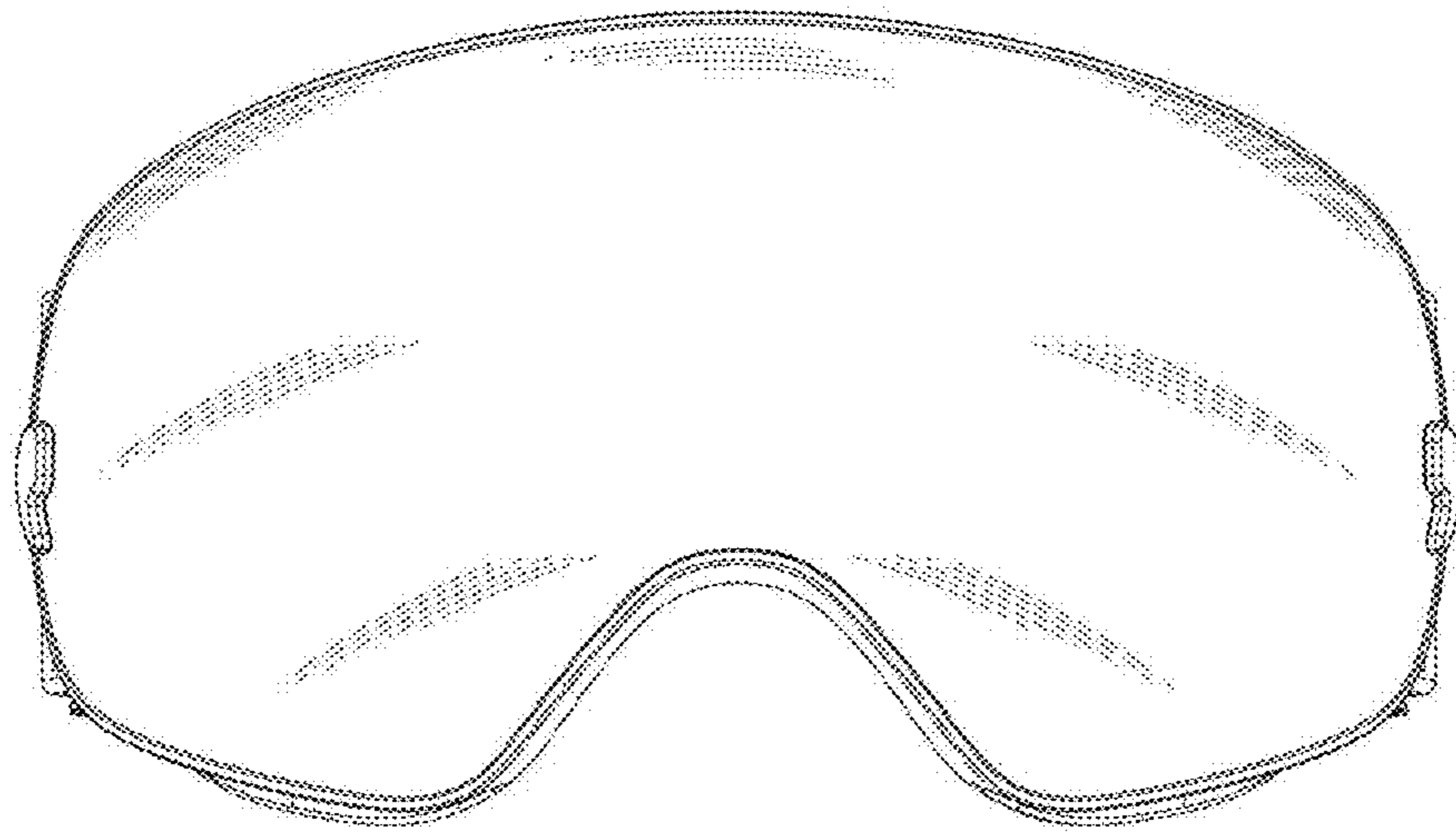


FIG.2

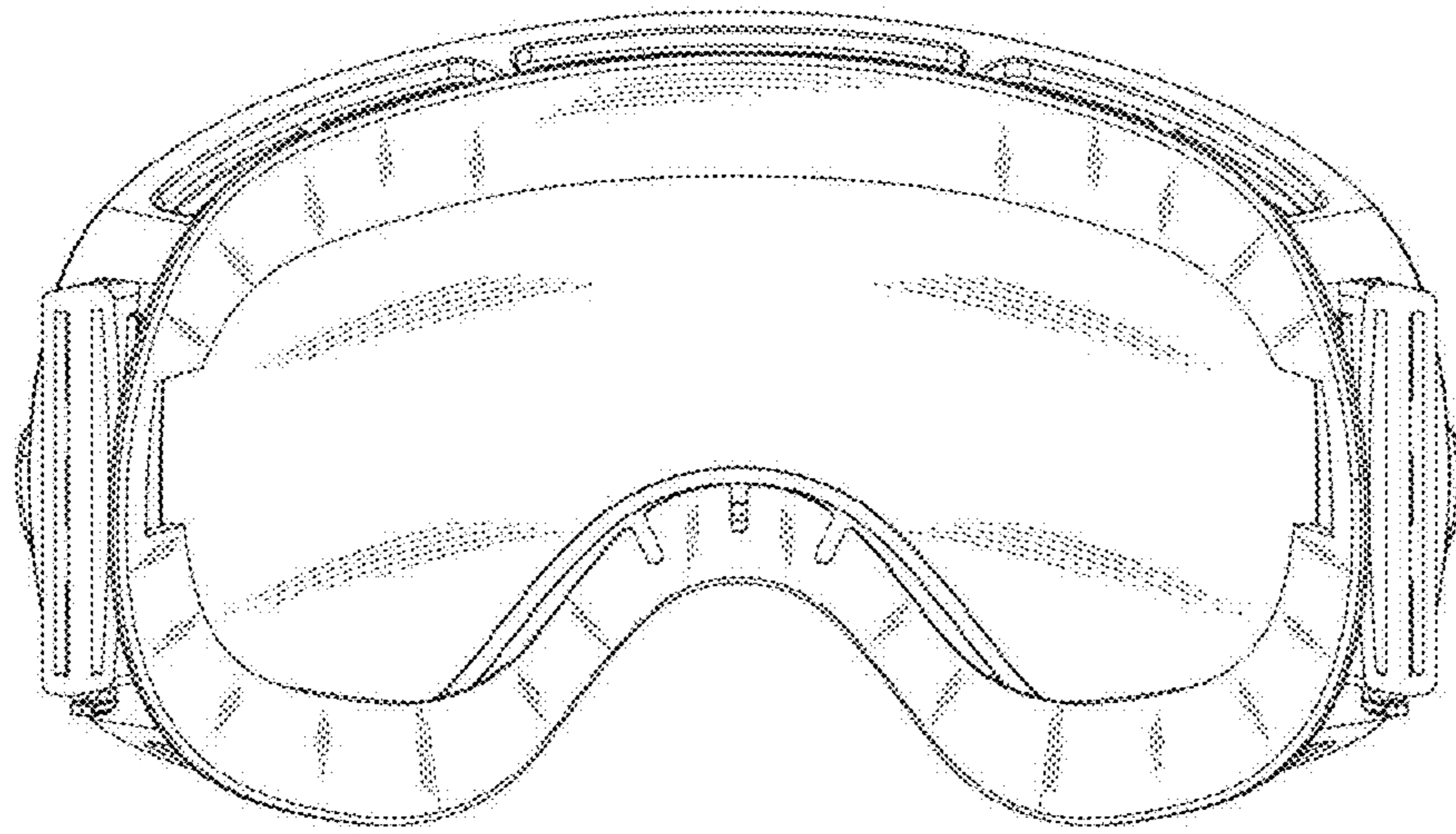


FIG.3

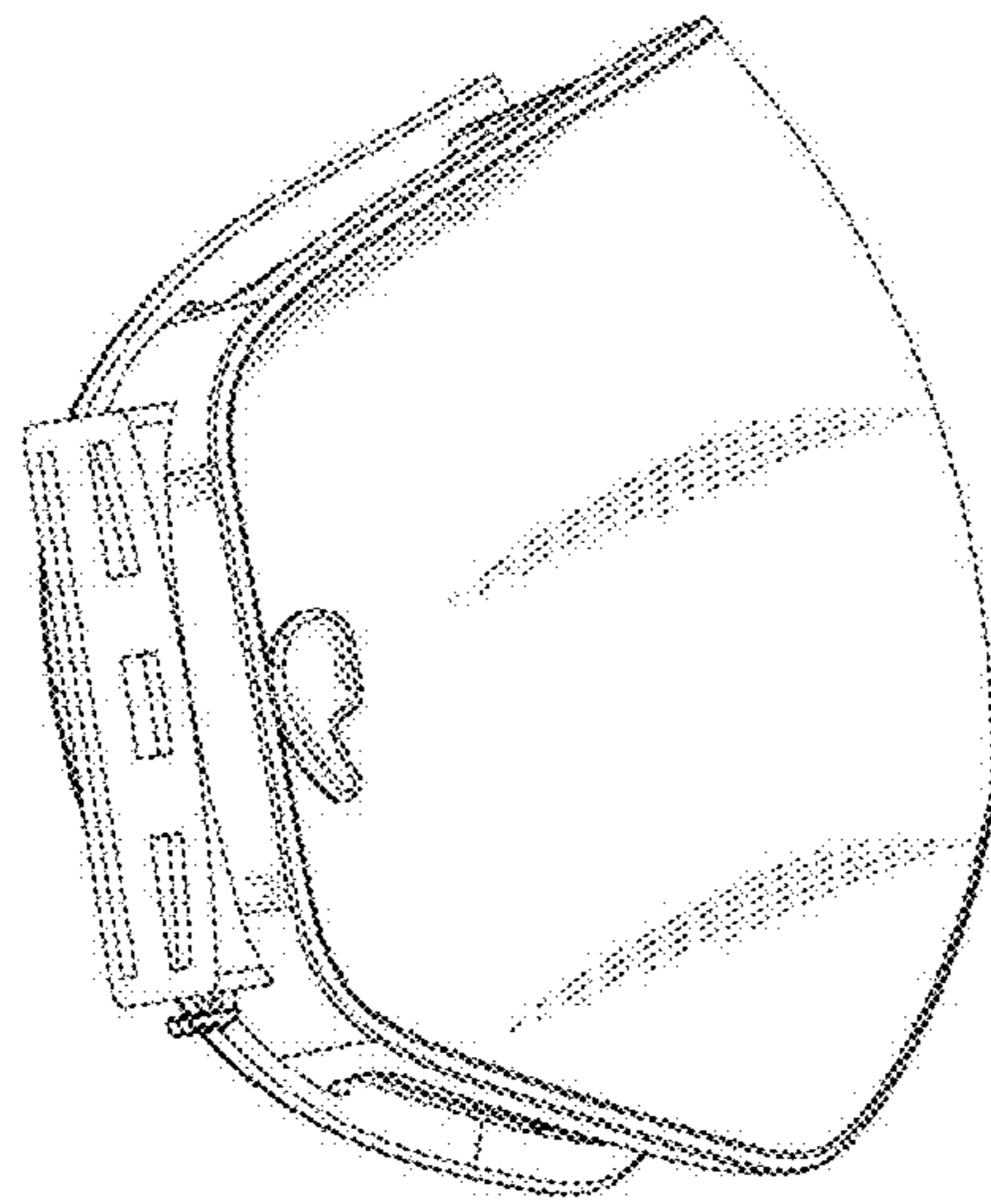


FIG.4

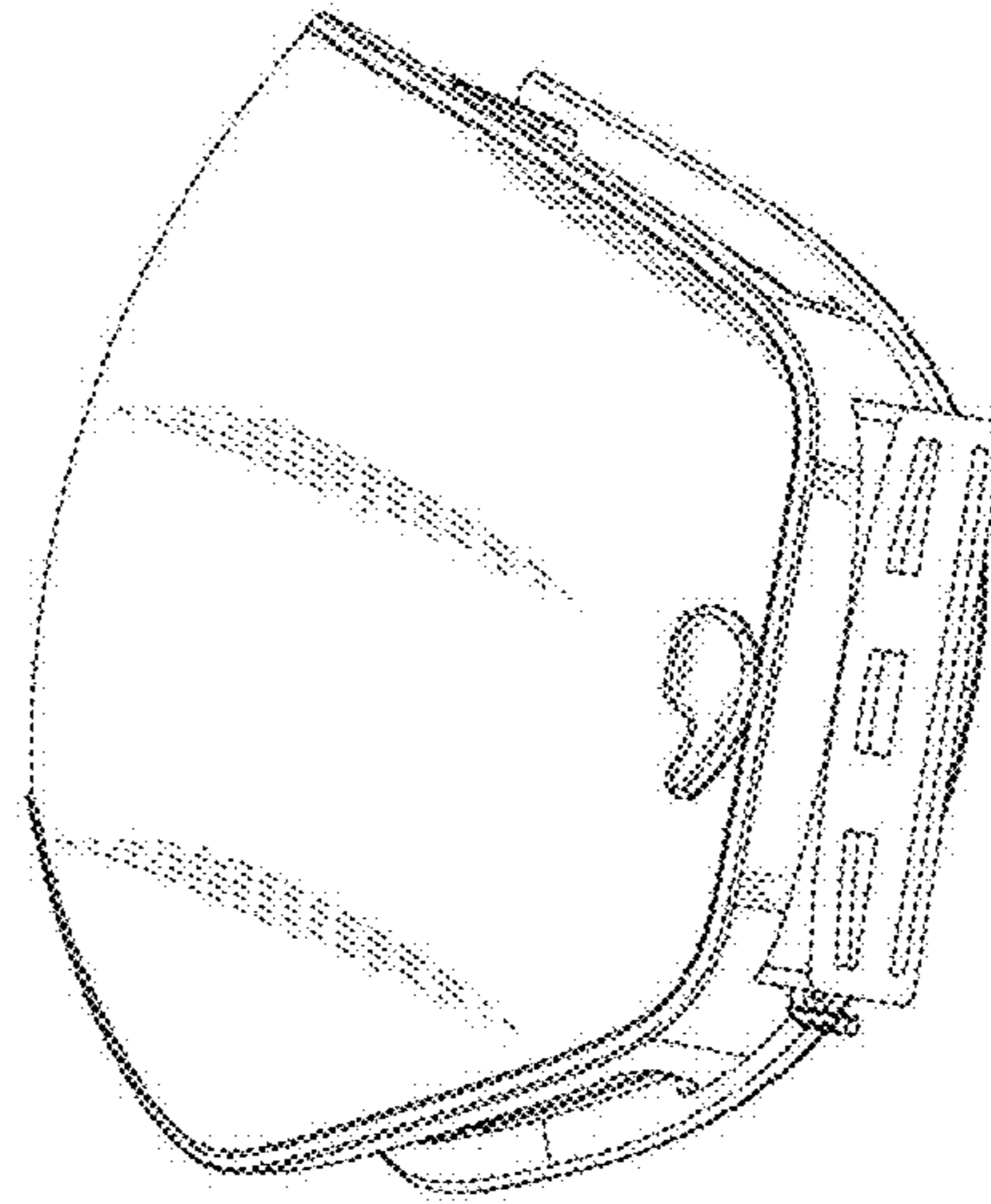


FIG.5

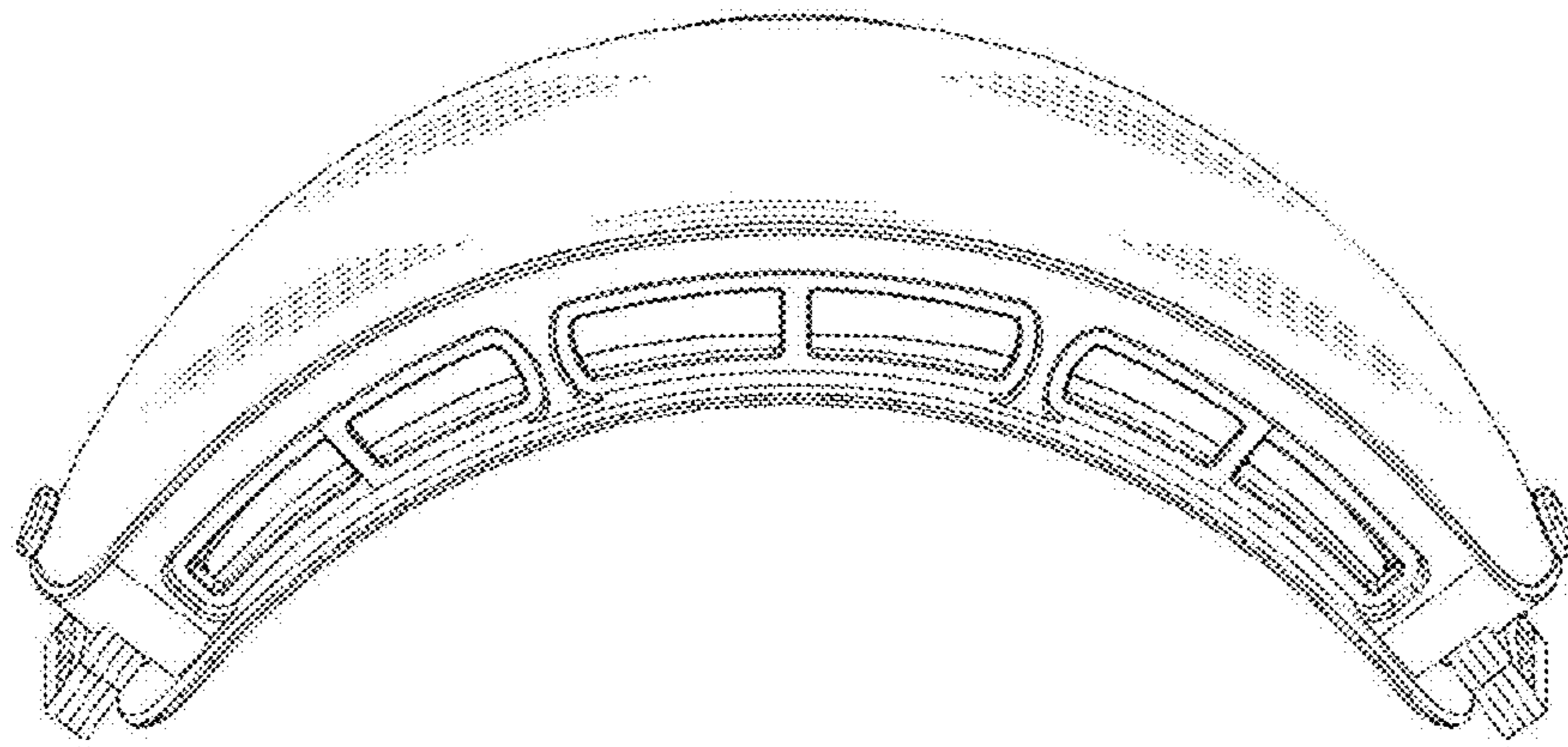


FIG.6



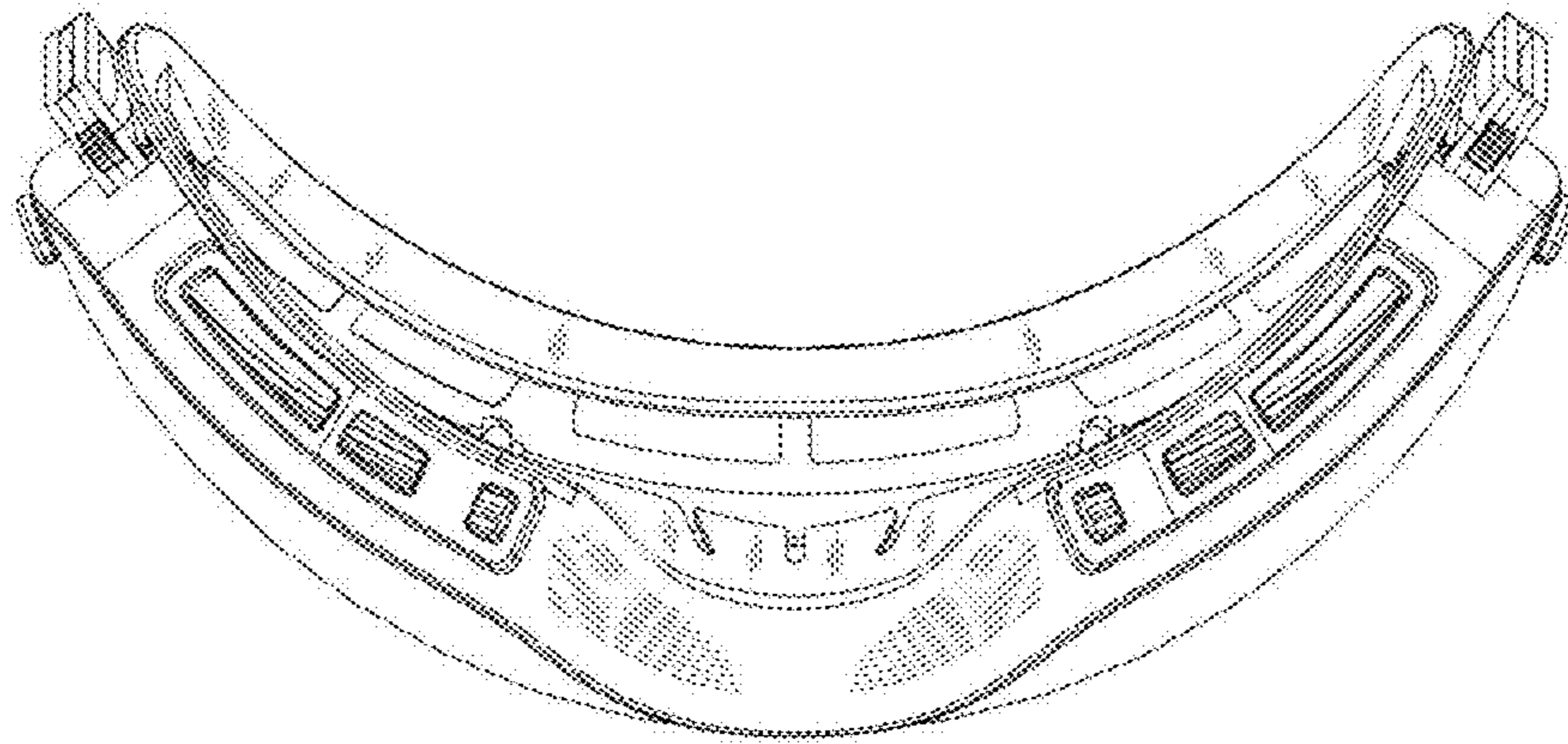


FIG.7