



US00D872166S

(12) **United States Design Patent**
Chun

(10) **Patent No.:** **US D872,166 S**

(45) **Date of Patent:** **** Jan. 7, 2020**

(54) **COMBINED TRIPOD, BALL MOUNT STAND AND HOLDER**

(71) Applicant: **James Chun**, Visa, CA (US)

(72) Inventor: **James Chun**, Visa, CA (US)

(**) Term: **15 Years**

(21) Appl. No.: **29/627,348**

(22) Filed: **Nov. 27, 2017**

(51) **LOC (12) Cl.** **16-05**

(52) **U.S. Cl.** **D16/244**

USPC **D16/244**

(58) **Field of Classification Search**

USPC D16/219, 237-250; D8/354, 355, 363, D8/373, 382-383, 394-396; D14/224, D14/229, 238, 251, 447, 451, 457
CPC F16M 11/06-10; F16M 11/14; G02B 7/00-002; G03N 17/56; G03N 17/561-568; H04N 5/2253-2254; A45F 2200/0508-0533; A45F 5/00; A45F 5/10
See application file for complete search history.

(56) **References Cited**

U.S. PATENT DOCUMENTS

D445,123 S *	7/2001	Shen	D16/244
D684,980 S *	6/2013	Chun	D14/447
D706,333 S *	6/2014	Chun	D16/244
D717,307 S *	11/2014	Chun	D14/447
9,080,714 B2 *	7/2015	Minn	B60R 11/0241
D739,410 S *	9/2015	Chun	D14/447
D828,865 S *	9/2018	Zeng	D16/242
D835,493 S *	12/2018	Chun	D8/354
D835,705 S *	12/2018	Chun	D16/244
D840,465 S *	2/2019	Chun	D16/244
10,247,353 B1 *	4/2019	Chen	F16M 11/28
2012/0269503 A1 *	10/2012	Hale	F16M 11/14 396/428

OTHER PUBLICATIONS

Jelly Grip Tripod Mount and Tripod with Jelly Long Legs. [online]
Retrieved Apr. 27, 2019 from URL:<https://www.amazon.com/>

Square-Jellyfish-Jelly-Tripod-Smartphones/dp/B01LYGH7XN/ref=as_li_ss_tl?tag=paidinsi-20&s=wireless&ie=UTF8&qid=1488917451&sr=1-1&keywords=square%2Bjellyfish&linkId=0ad06dfb87f0-0a0a.*

* cited by examiner

Primary Examiner — Vy N Koenig

(74) *Attorney, Agent, or Firm* — Dean Craine; Marisa Whitaker

(57) **CLAIM**

The ornamental design for a combined, tripod, ball mount stand and holder, as shown and described.

DESCRIPTION

FIG. 1 is a top plan view of a combined tripod, ball mount stand and holder showing my new design, with the holder shown in a collapsed configuration.

FIG. 2 is a front elevational view of the invention shown in FIG. 1.

FIG. 3 is a rear elevational view of the invention shown in FIG. 1.

FIG. 4 is a bottom plan view of the invention shown in FIG. 1.

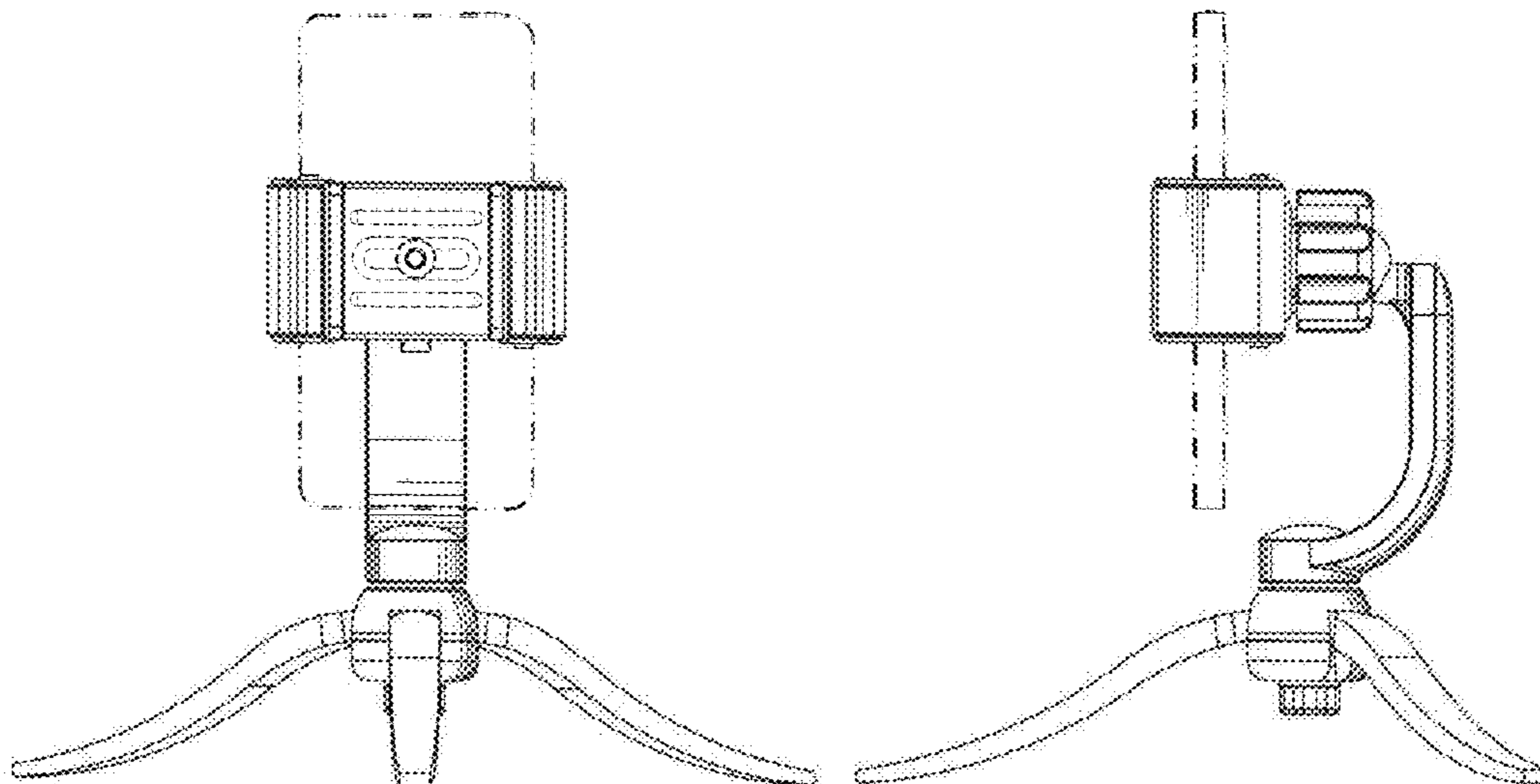
FIG. 5 is a right side elevational view of the invention shown in FIG. 1.

FIG. 6 is a left side elevational view of the invention shown in FIG. 1.

FIG. 7 is a top plan view of the invention shown in FIG. 1, with the holder shown in an expanded configuration; and, FIG. 8 is a rear elevational view of the invention shown in FIG. 7.

The broken lines in the drawings depict environmental subject matter, specifically an electronic device in FIGS. 1-6, and form no part of the claimed design. The additional broken lines in FIG. 2 depict portions of the holder that form no part of the claimed design.

1 Claim, 4 Drawing Sheets



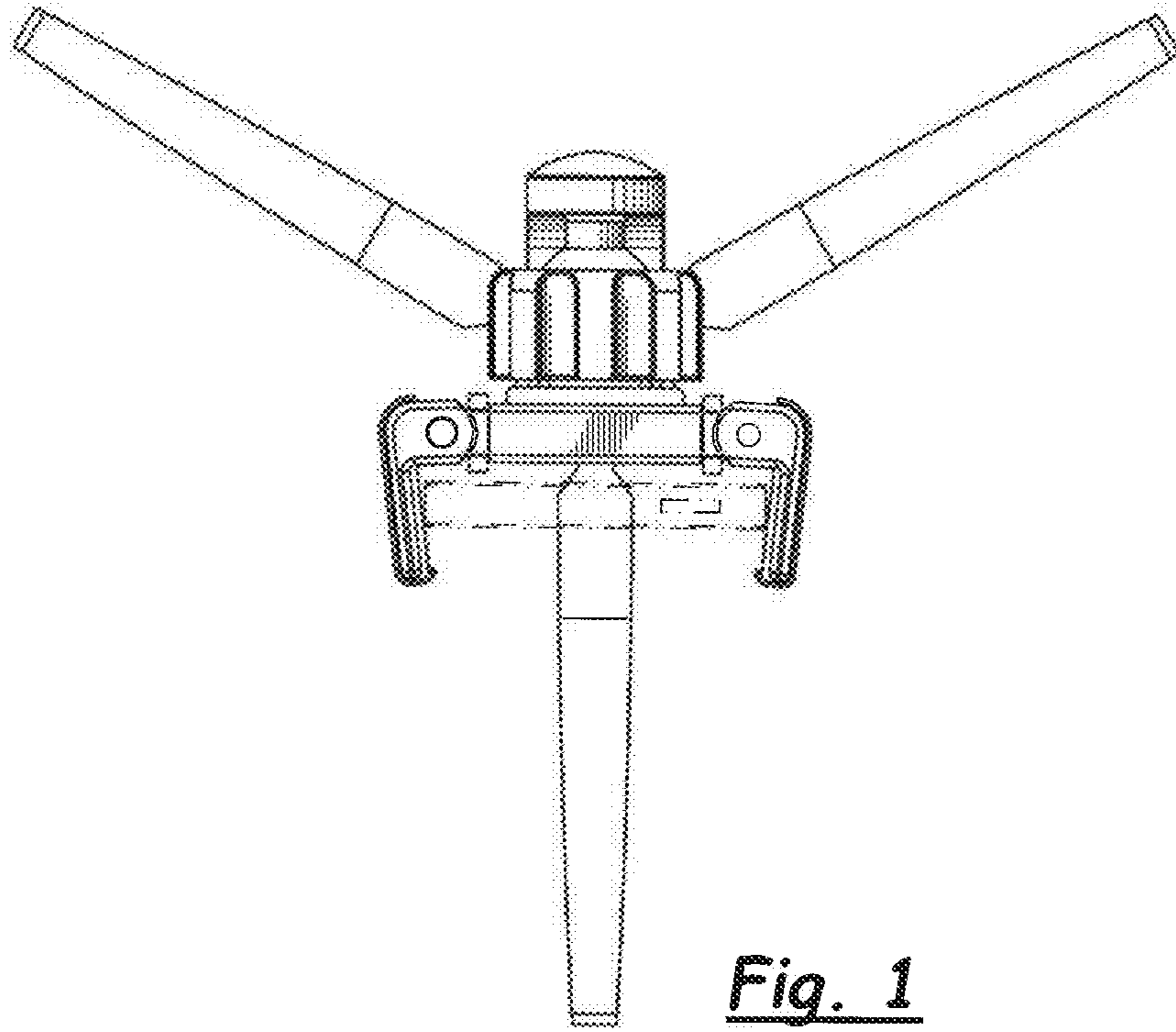


Fig. 1

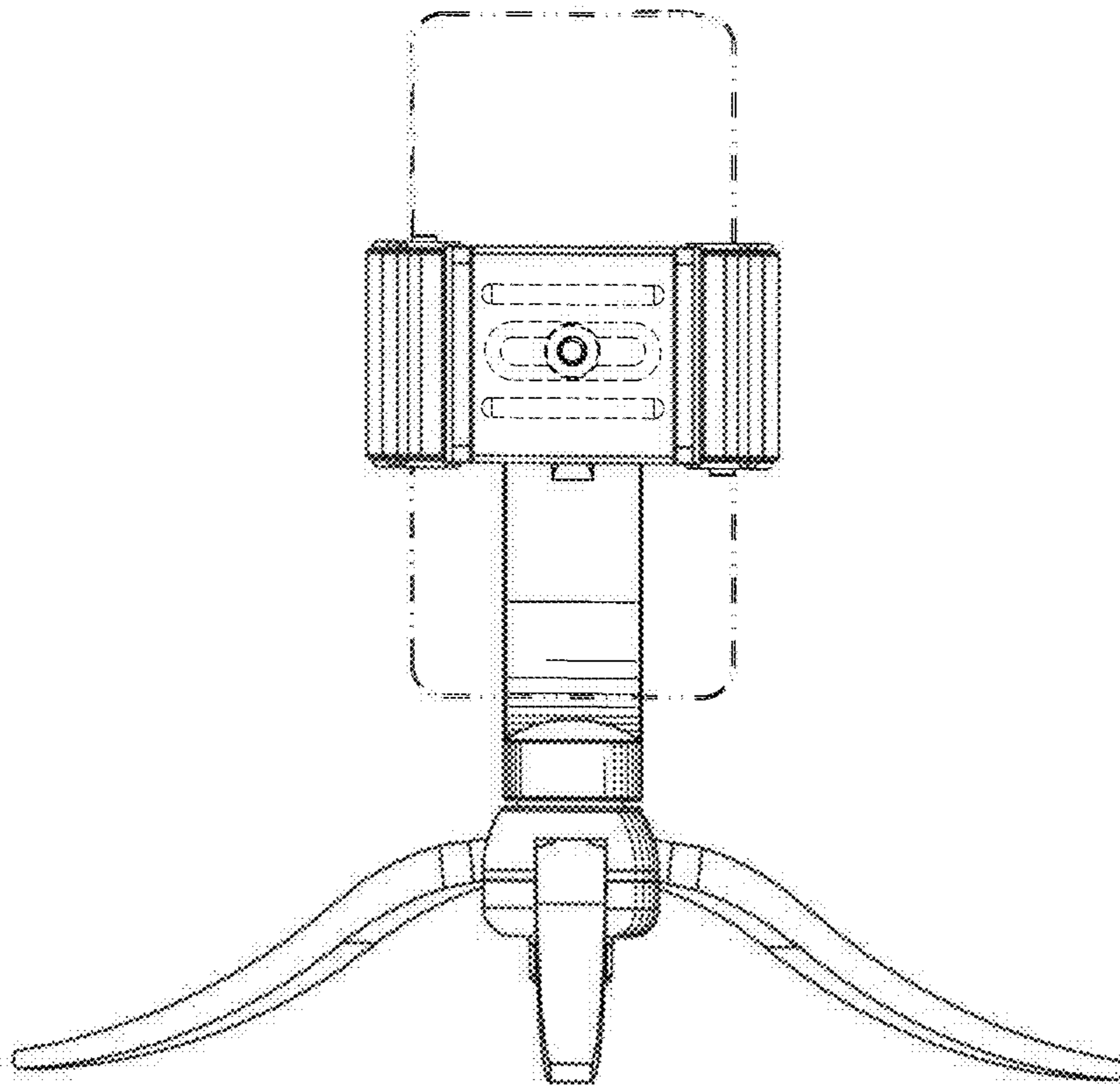


Fig. 2

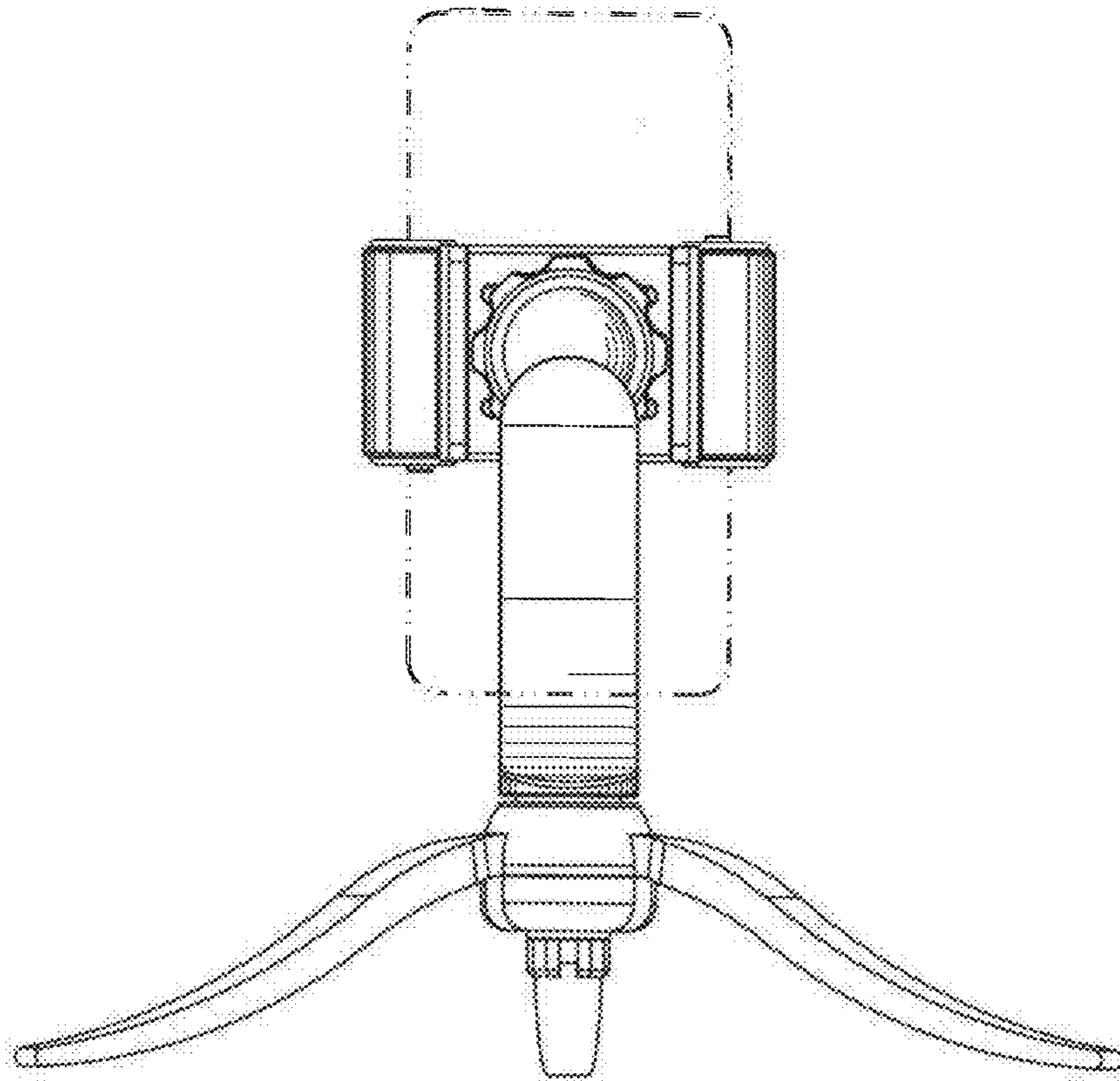


Fig. 3

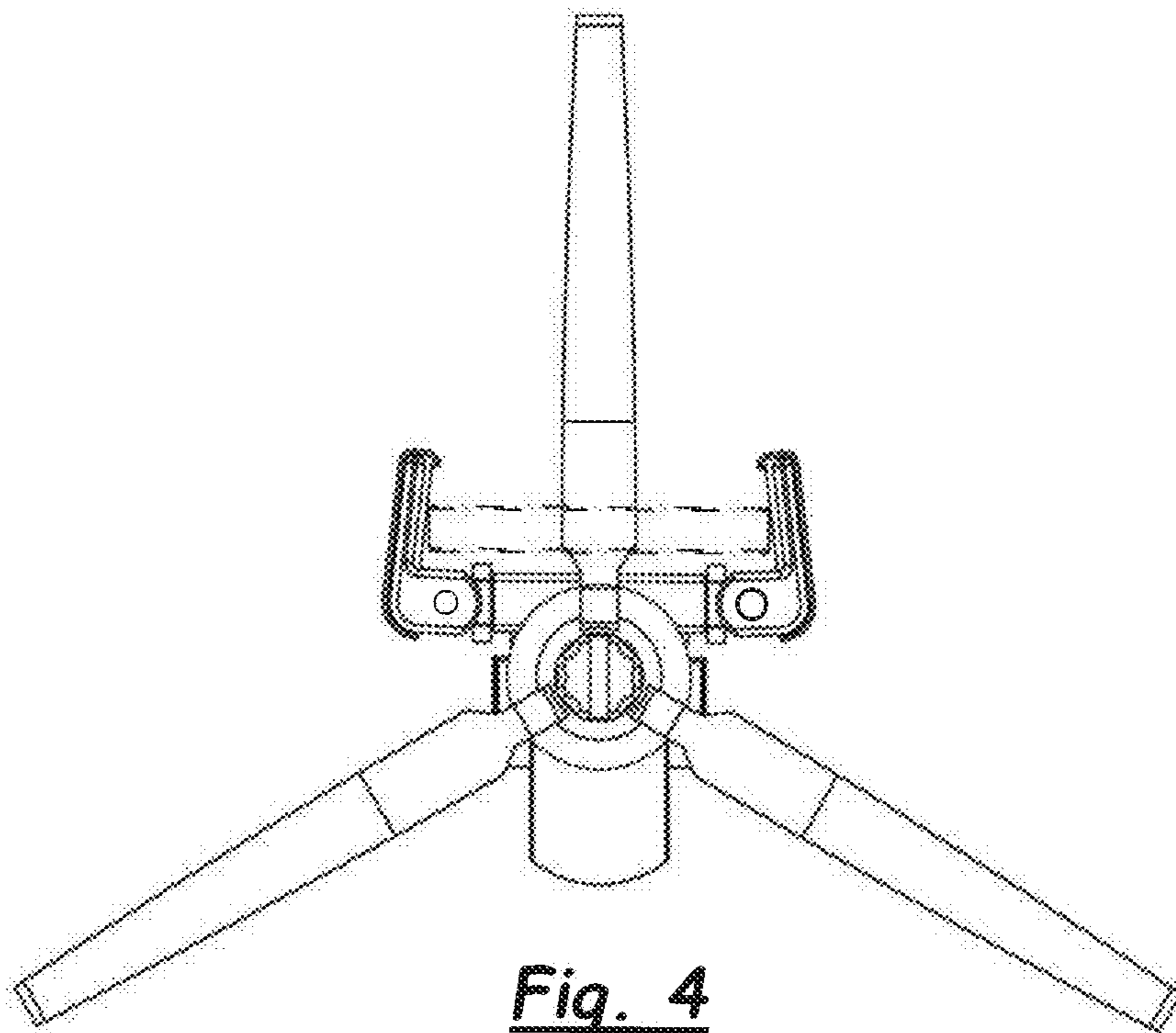
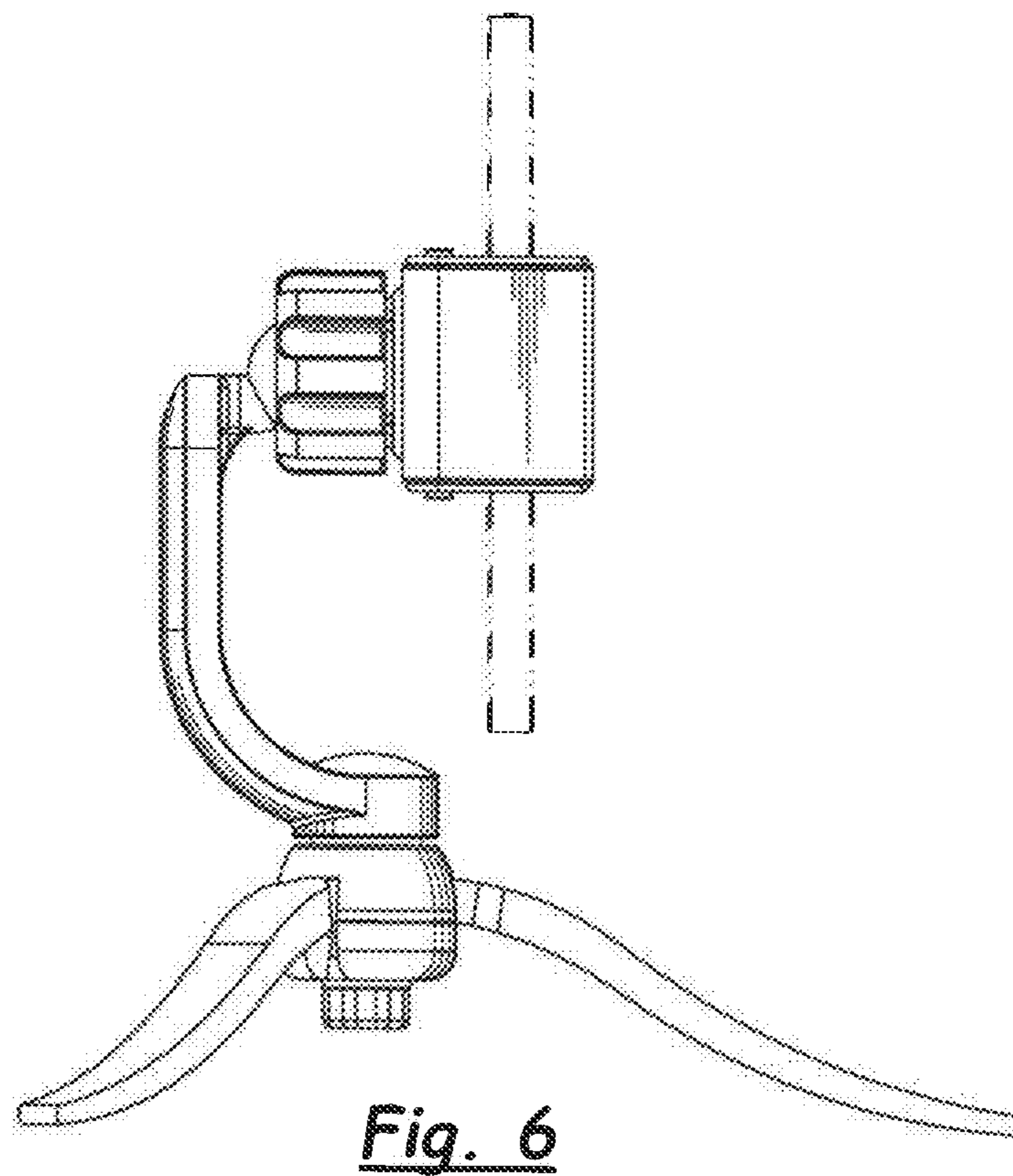
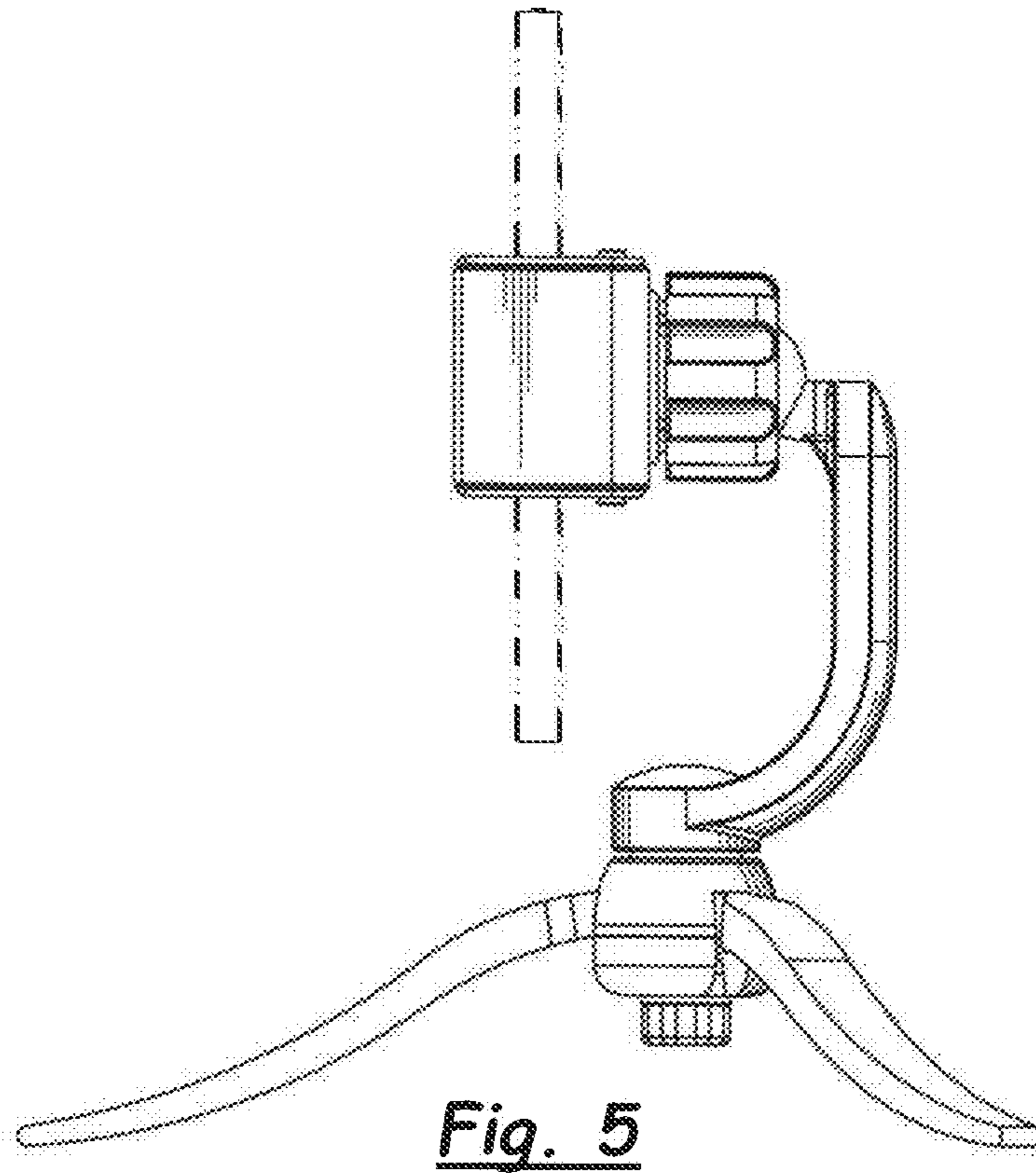


Fig. 4



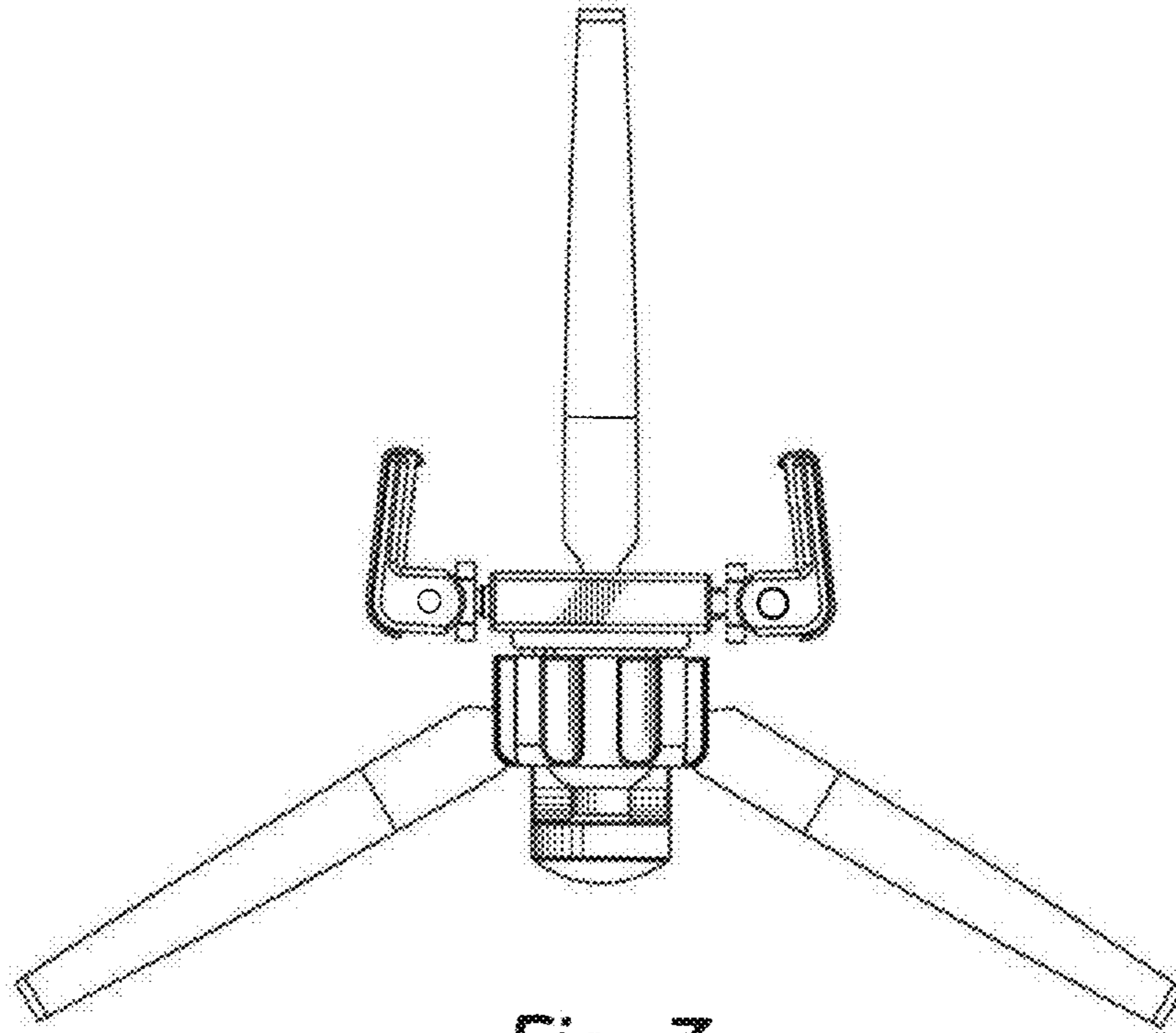


Fig. 7

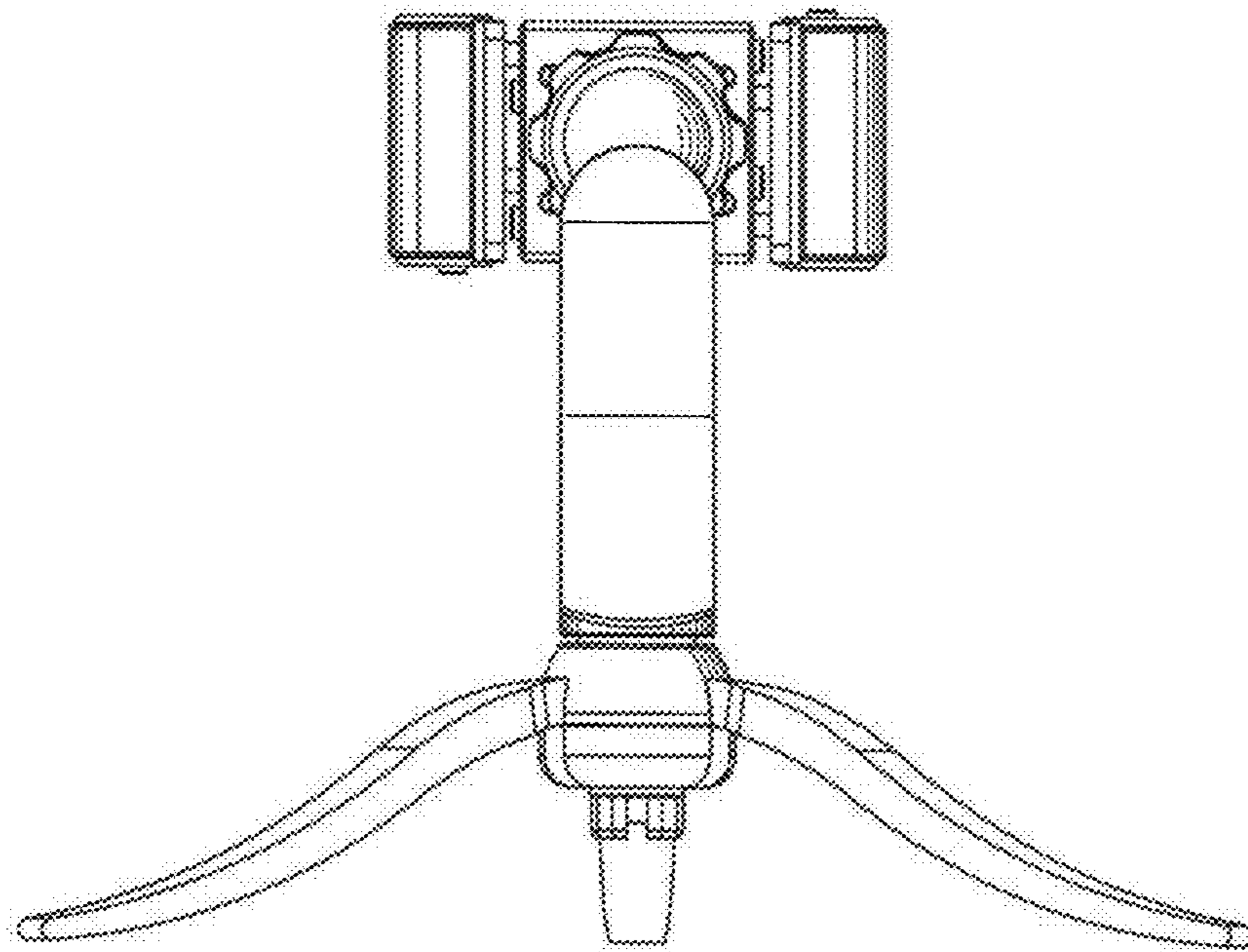


Fig. 8