



US00D872165S

(12) **United States Design Patent**
Li

(10) **Patent No.:** **US D872,165 S**

(45) **Date of Patent:** **** *Jan. 7, 2020**

(54) **MICRO PROJECTOR**

(71) Applicant: **Shicheng Li**, Hunan (CN)

(72) Inventor: **Shicheng Li**, Hunan (CN)

(73) Assignee: **Shenzhen Foisontech Co., Ltd.**,
Shenzhen

(*) Notice: This patent is subject to a terminal disclaimer.

(**) Term: **15 Years**

(21) Appl. No.: **29/612,803**

(22) Filed: **Aug. 4, 2017**

(51) **LOC (12) Cl.** **16-02**

(52) **U.S. Cl.**
USPC **D16/230; D16/225**

(58) **Field of Classification Search**
USPC D16/221, 225, 230–231, 234–235;
D21/514; D14/188, 168; D13/162
CPC G03B 21/145; G03B 21/14; G03B 21/12;
G03B 21/001; G03B 21/003; G03B 21/00
See application file for complete search history.

(56) **References Cited**

U.S. PATENT DOCUMENTS

- D321,361 S * 11/1991 Iino D16/235
- 5,283,601 A * 2/1994 Lowe G03B 21/00
353/62
- D602,969 S * 10/2009 Collet D16/221
- D623,214 S * 9/2010 Onoda D16/225

- 8,690,354 B2 * 4/2014 Osaka G03B 21/14
250/491.1
- D722,333 S * 2/2015 Lin D16/225
- 9,635,168 B2 * 4/2017 Pu H04M 1/72522
- D808,456 S * 1/2018 Li D16/225
- 2016/0006997 A1 * 1/2016 Bouie G03B 21/14
348/789

FOREIGN PATENT DOCUMENTS

CN 302476722 * 1/2013

* cited by examiner

Primary Examiner — Wan Laymon

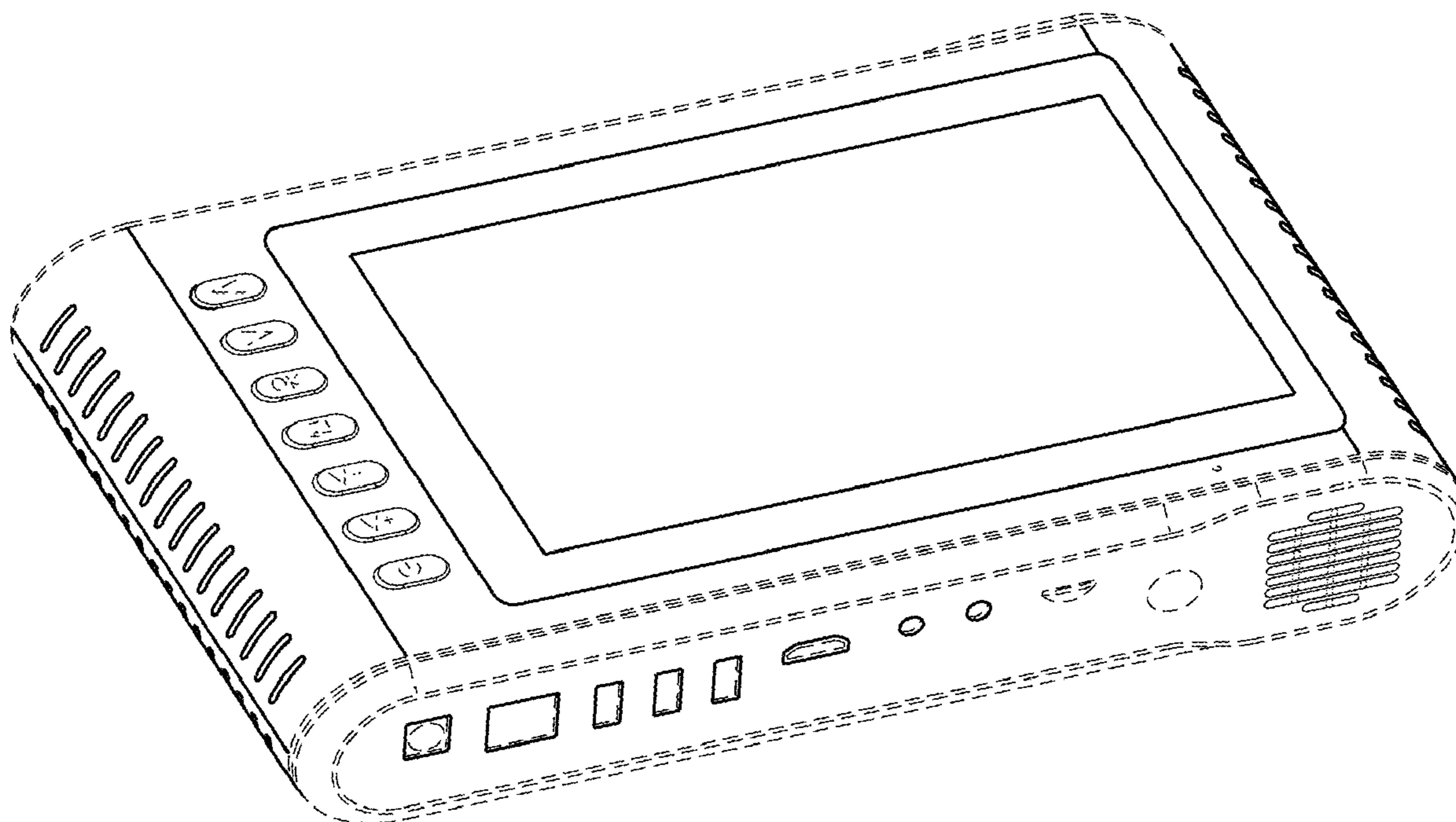
(57) **CLAIM**

The ornamental design for a micro projector, as shown and described.

DESCRIPTION

FIG. 1 is a perspective view of a micro projector showing my new design;
 FIG. 2 is a front elevational view thereof;
 FIG. 3 is a rear elevational view thereof;
 FIG. 4 is a right side view thereof;
 FIG. 5 is a left side view thereof;
 FIG. 6 is a bottom plan view thereof; and,
 FIG. 7 is a top plan view thereof.
 The broken lines showing in the drawings are included for the purpose of illustrating portions of the micro projector and form no part of the claimed design.

1 Claim, 5 Drawing Sheets



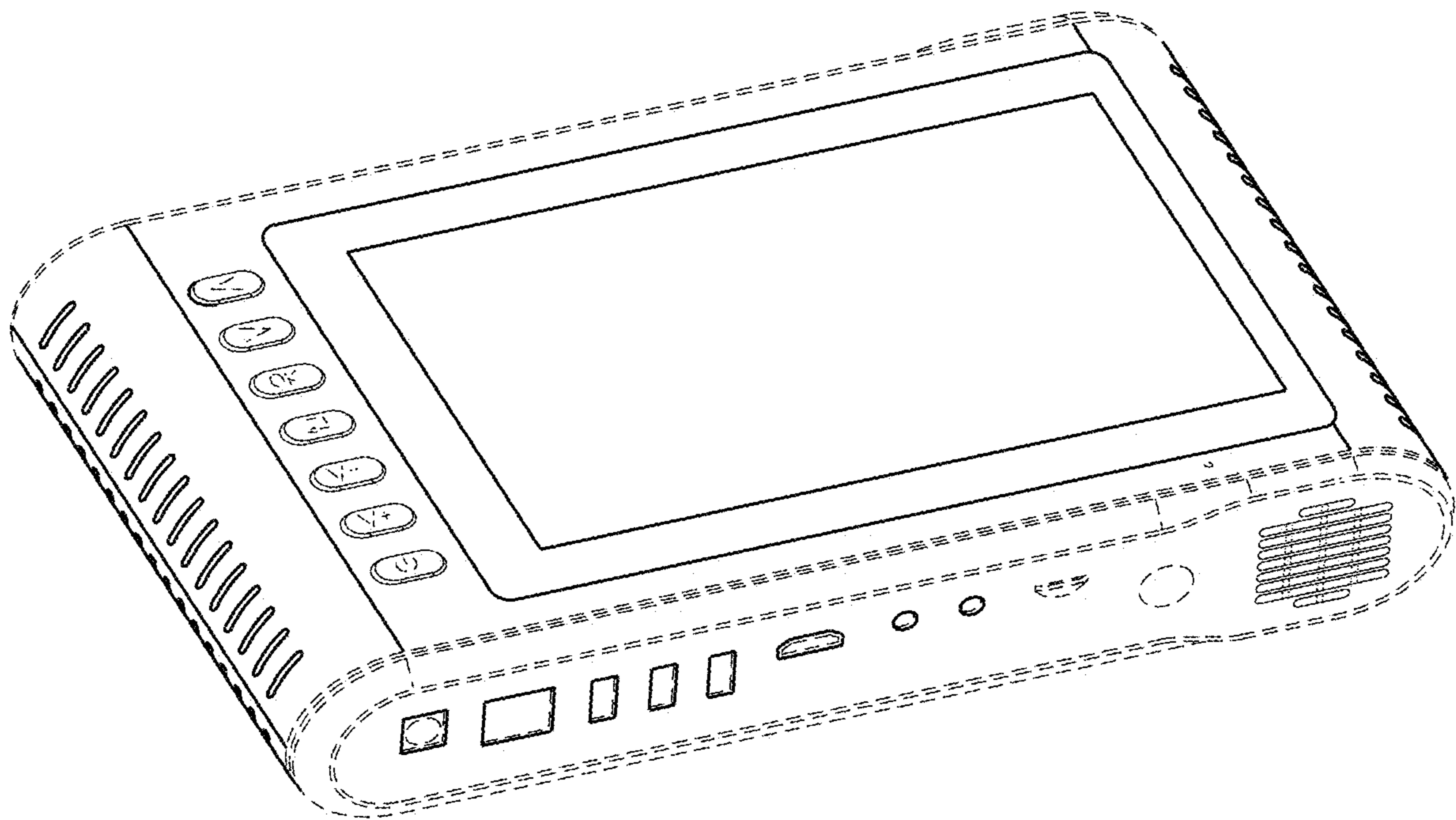


FIG. 1

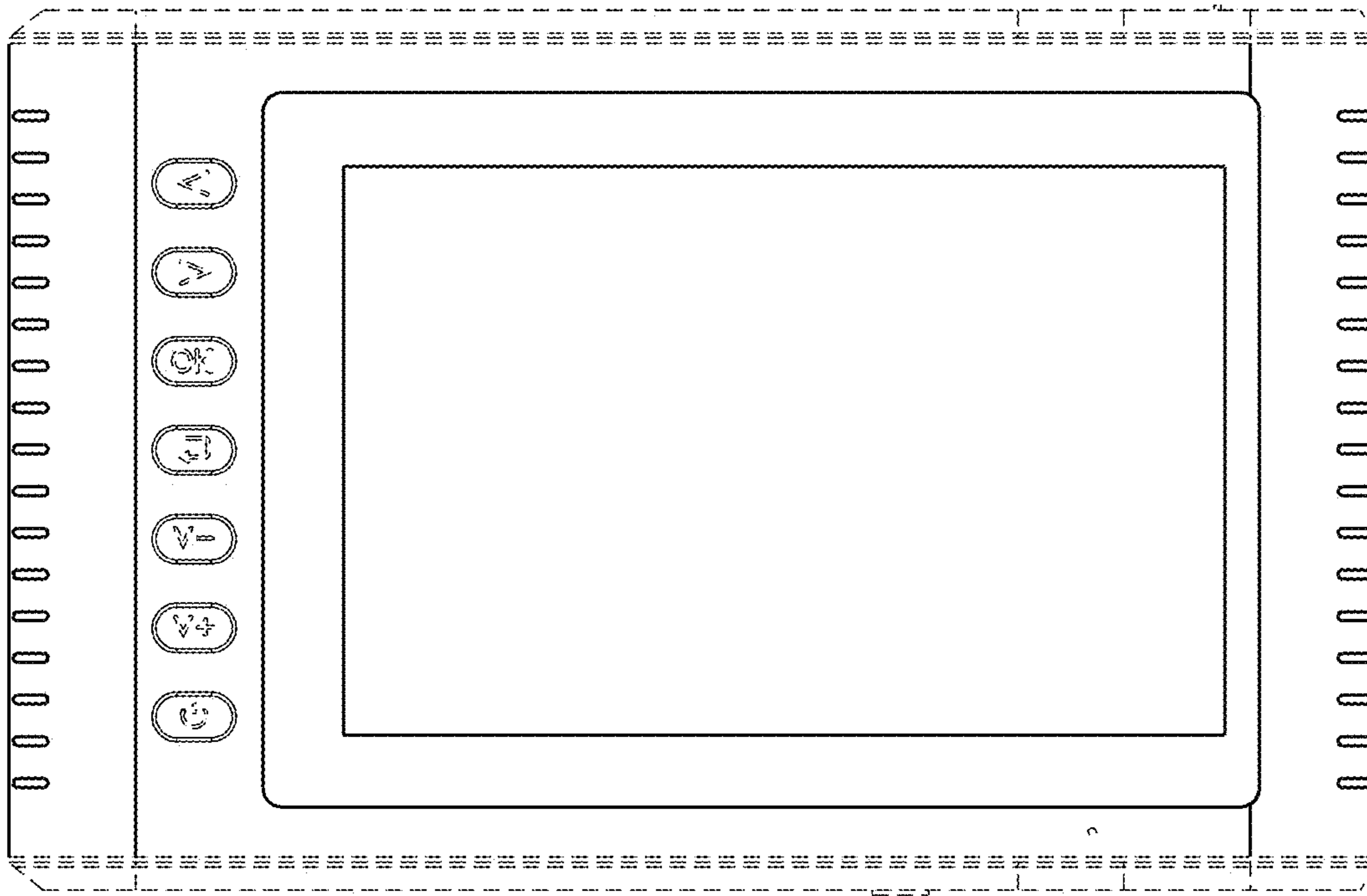


FIG. 2

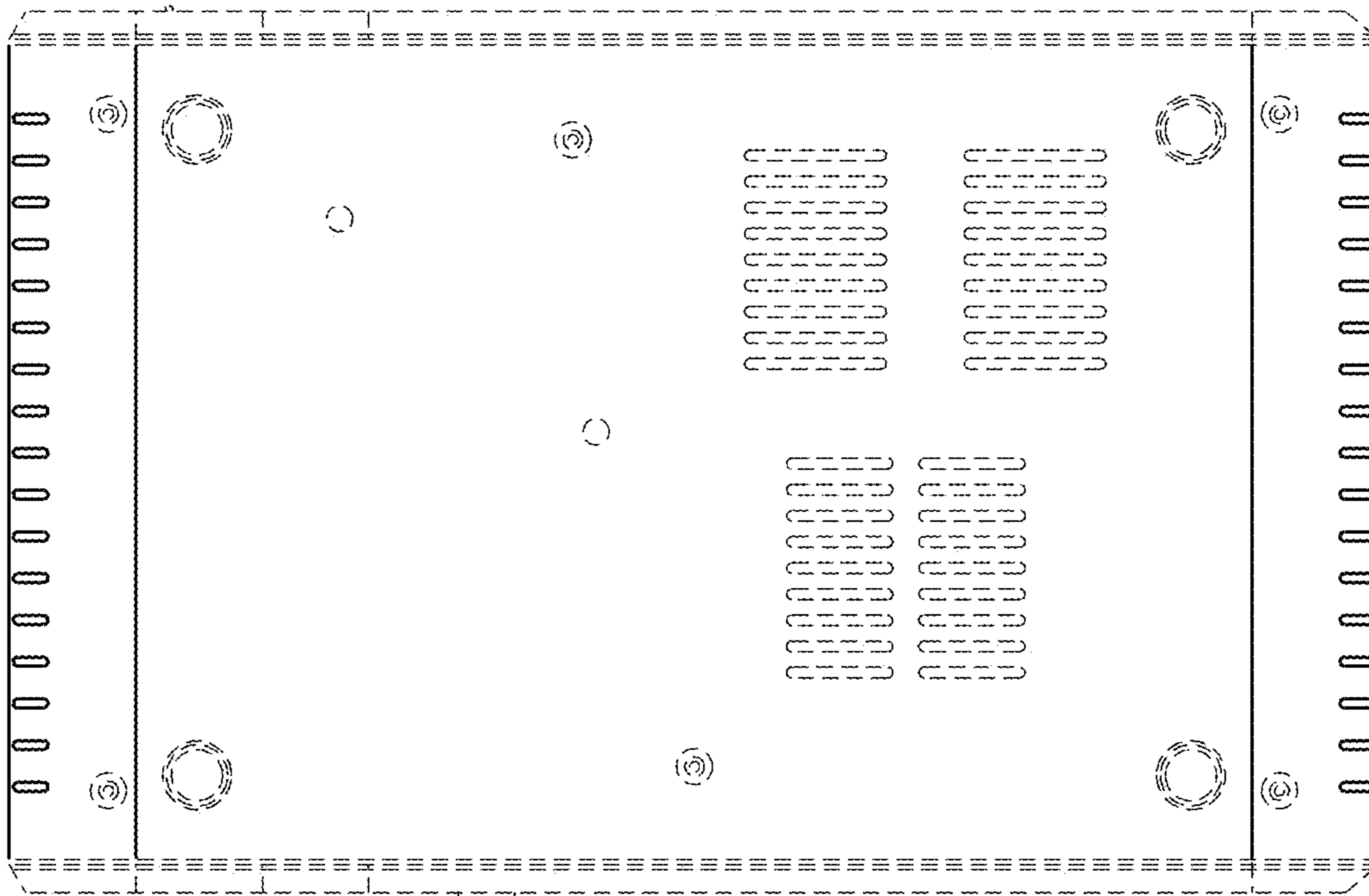


FIG. 3

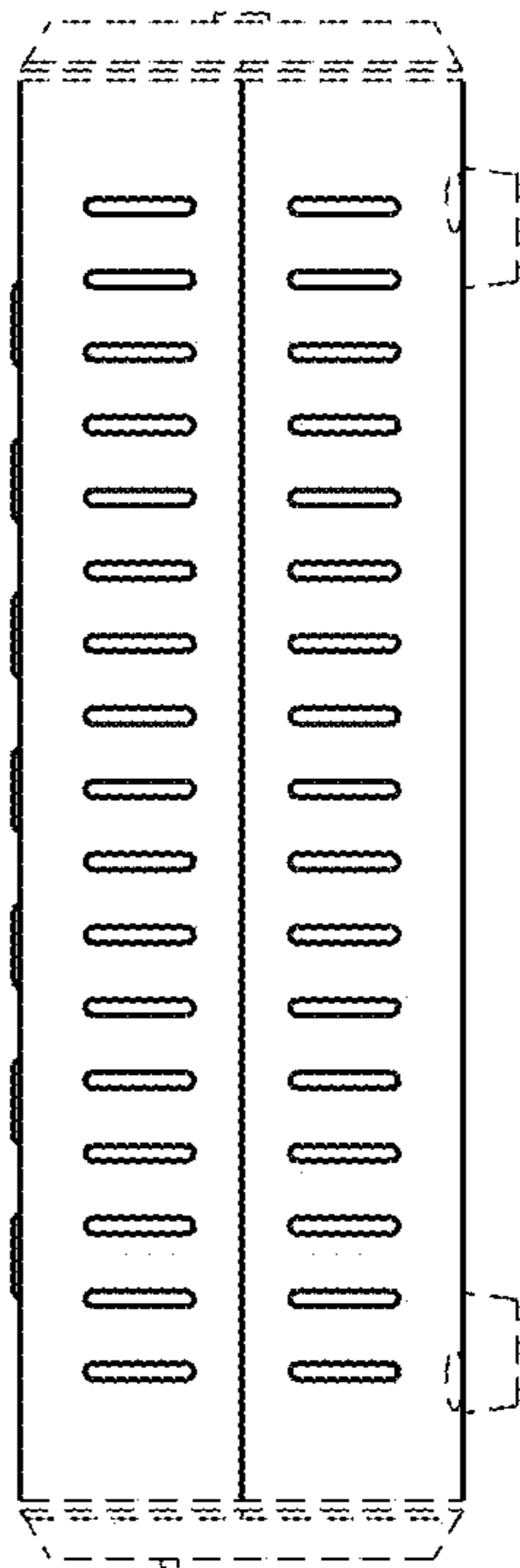


FIG. 4

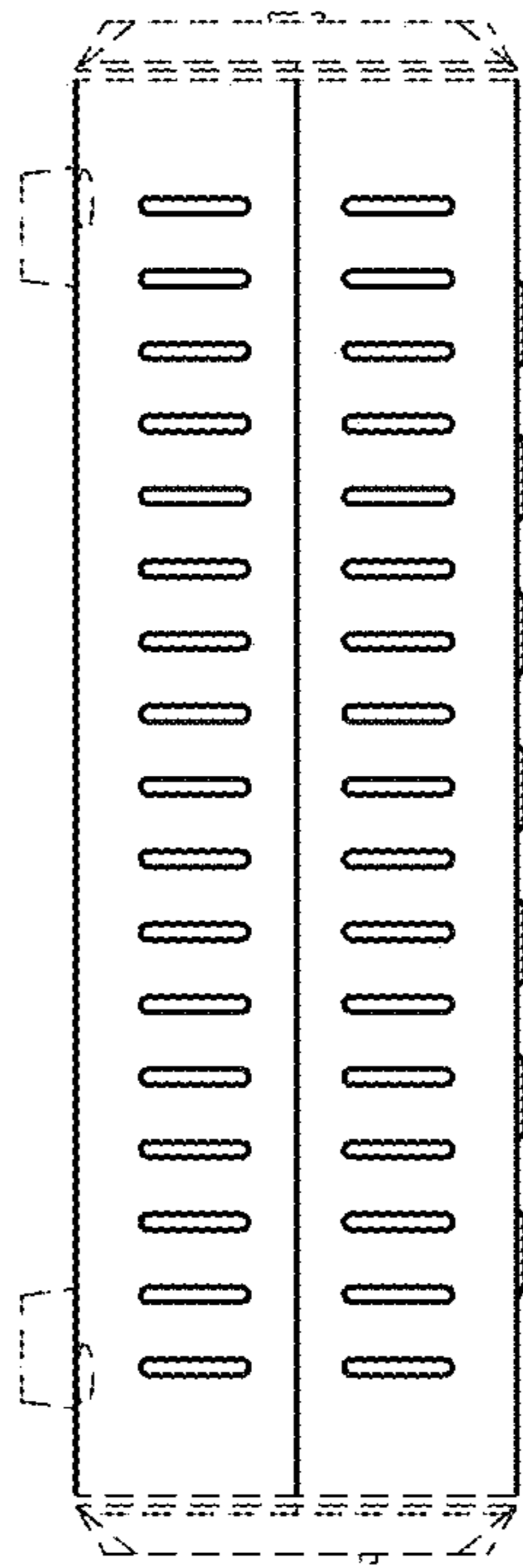


FIG. 5

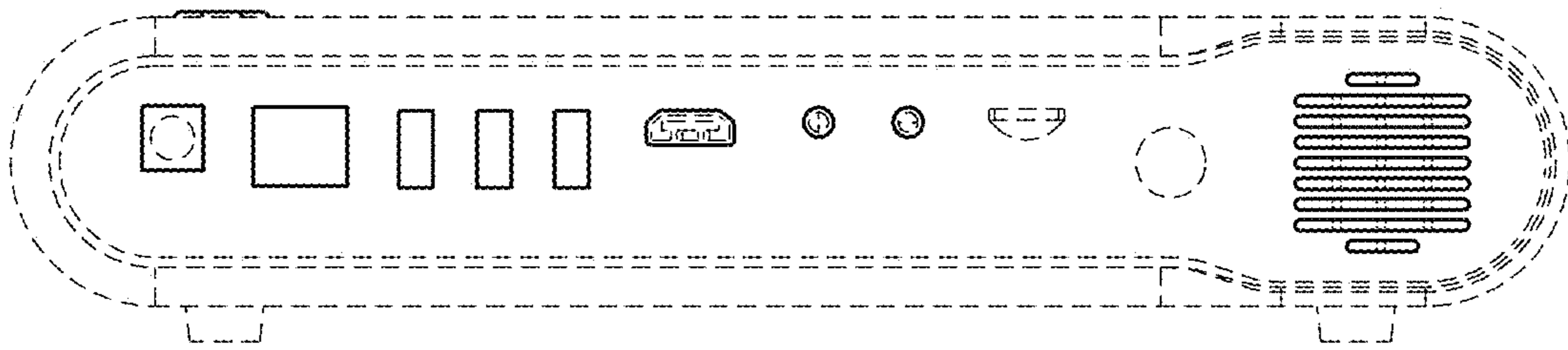


FIG. 6

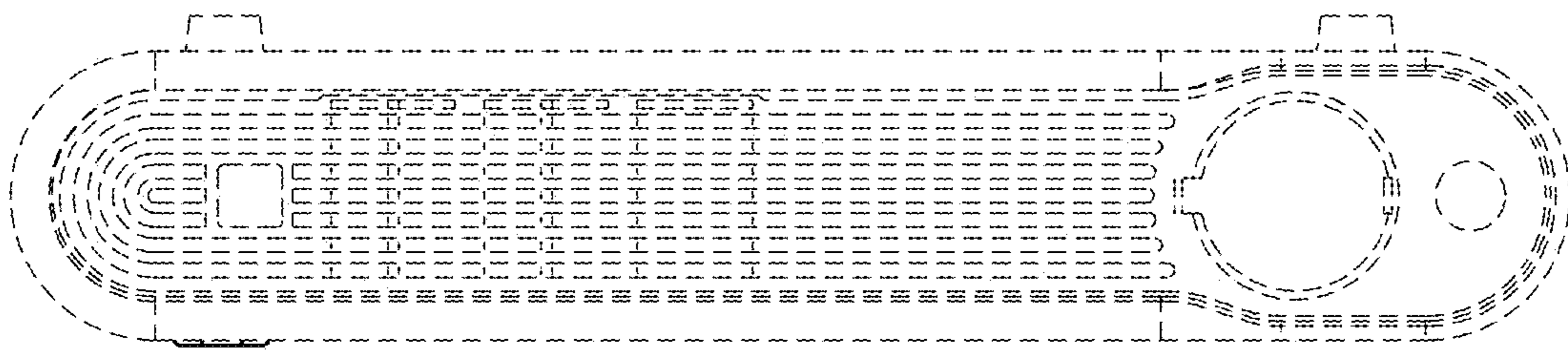


FIG. 7