



US00D872164S

(12) **United States Design Patent**  
**Liu**

(10) **Patent No.:** **US D872,164 S**  
(45) **Date of Patent:** **\*\* Jan. 7, 2020**

(54) **CAMERA TRANSPARENT COVER**

(71) Applicant: **HANGZHOU HIKVISION DIGITAL TECHNOLOGY CO., LTD.**, Zhejiang (CN)

(72) Inventor: **Yao Liu**, Zhejiang (CN)

(73) Assignee: **HANGZHOU HIKVISION DIGITAL TECHNOLOGY CO., LTD.**, Zhejiang (CN)

(\*\*) Term: **15 Years**

(21) Appl. No.: **29/642,357**

(22) Filed: **Mar. 29, 2018**

(30) **Foreign Application Priority Data**

Sep. 30, 2017 (CN) ..... 2017 3 0473288

(51) **LOC (12) Cl.** ..... **16-05**

(52) **U.S. Cl.**  
USPC ..... **D16/219**

(58) **Field of Classification Search**  
USPC ..... D16/200, 202–206, 218, 219, 242;  
348/143, 148, 151, 373–376; 396/419,  
396/427, 535, 539–541  
CPC ..... G03B 17/02; G03B 19/04; G03B 17/56;  
G03B 17/04; G03B 15/03; H04N 5/2251;  
H04N 5/2252; H04N 5/2253; H04N  
5/2254; H04N 7/181; H04N 7/183; H04N  
7/18; G08B 13/1963; G08B 13/19619;  
G08B 13/19632; F16M 11/04; F16M  
13/00

See application file for complete search history.

(56) **References Cited**

**U.S. PATENT DOCUMENTS**

D399,517 S \* 10/1998 Hasegawa ..... D16/203  
D461,099 S \* 8/2002 Leuenberger ..... D7/505

D473,888 S \* 4/2003 Jones ..... 396/427  
6,550,630 B1 \* 4/2003 Krupa ..... B65D 85/72  
220/575  
D499,126 S \* 11/2004 Kato ..... D16/203  
D527,224 S \* 8/2006 Roth ..... D7/540  
D527,954 S \* 9/2006 Roth ..... D7/557  
D547,347 S \* 7/2007 Kim ..... D16/202  
D556,233 S \* 11/2007 Webb ..... D16/202  
D565,626 S \* 4/2008 Leyden ..... D16/203  
D568,112 S \* 5/2008 Epstein ..... D7/554.2  
D668,701 S \* 10/2012 Ohno ..... D16/203  
D694,306 S \* 11/2013 Katori ..... D16/203  
D719,208 S \* 12/2014 Mohan ..... D16/203  
D741,934 S \* 10/2015 Stark ..... D16/203  
D742,447 S \* 11/2015 Stark ..... D16/203  
D745,911 S \* 12/2015 Lee ..... D16/203  
D745,916 S \* 12/2015 Oh ..... D16/134  
D793,464 S \* 8/2017 Donaldson ..... D16/203  
D811,462 S 2/2018 Axelsson et al.  
D815,174 S \* 4/2018 Holbrook ..... D16/203  
D815,926 S \* 4/2018 Lee ..... D7/682  
D817,378 S 5/2018 Persson et al.  
D823,919 S 6/2018 Persson et al.

(Continued)

*Primary Examiner* — Ramzi S Almatrahi

(74) *Attorney, Agent, or Firm* — Meunier Carlin & Curfman LLC

(57) **CLAIM**

The ornamental design for a camera transparent cover, as shown and described.

**DESCRIPTION**

FIG. 1 is a front view of a camera transparent cover showing my new design.

FIG. 2 is a rear view thereof.

FIG. 3 is a left-side view thereof.

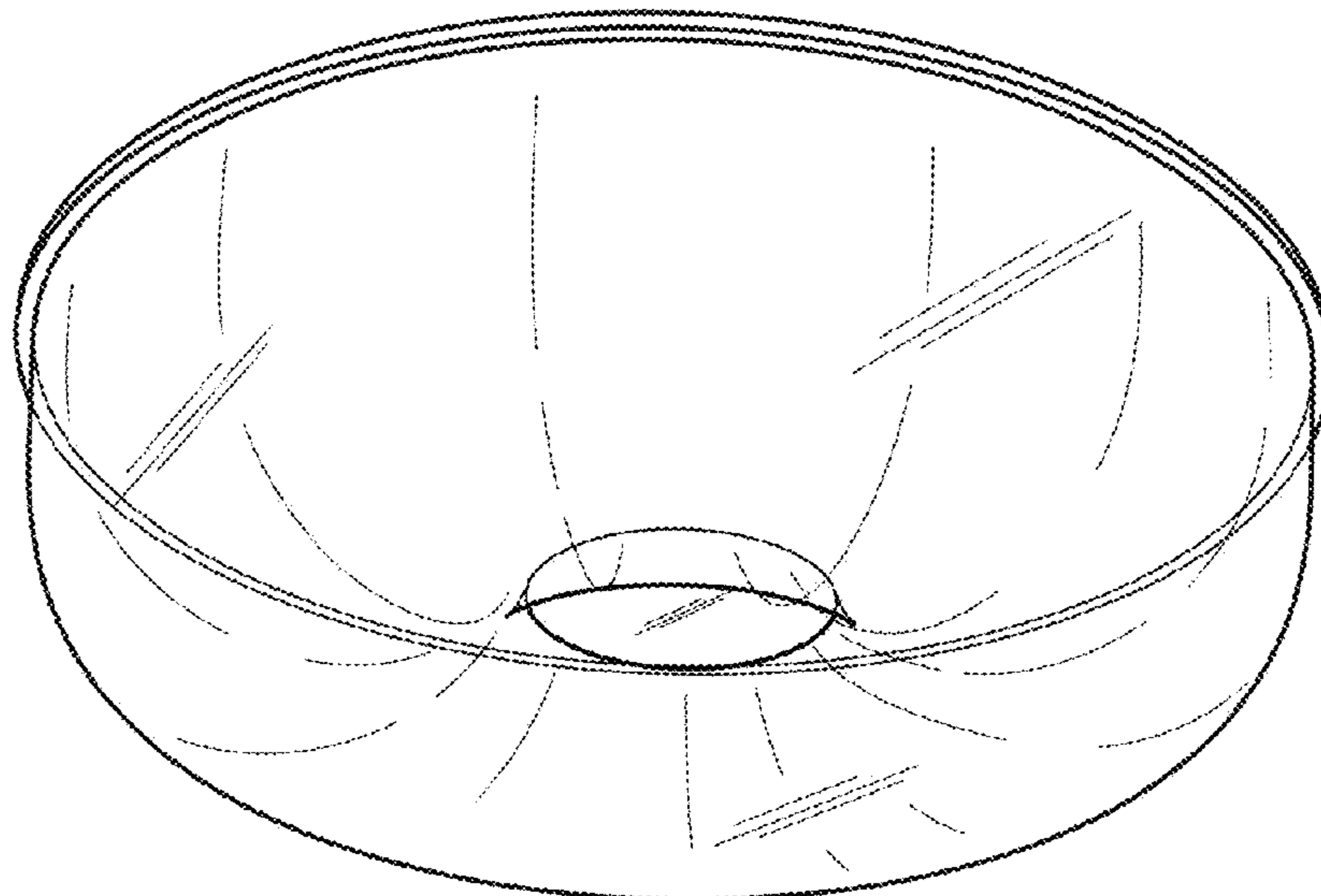
FIG. 4 is a right-side view thereof.

FIG. 5 is a top view thereof.

FIG. 6 is a bottom view thereof; and,

FIG. 7 is a perspective view thereof.

**1 Claim, 3 Drawing Sheets**



(56)

**References Cited**

U.S. PATENT DOCUMENTS

D829,259 S	9/2018	Persson et al.
D837,863 S	1/2019	Persson et al.
D839,338 S	1/2019	Persson et al.

\* cited by examiner

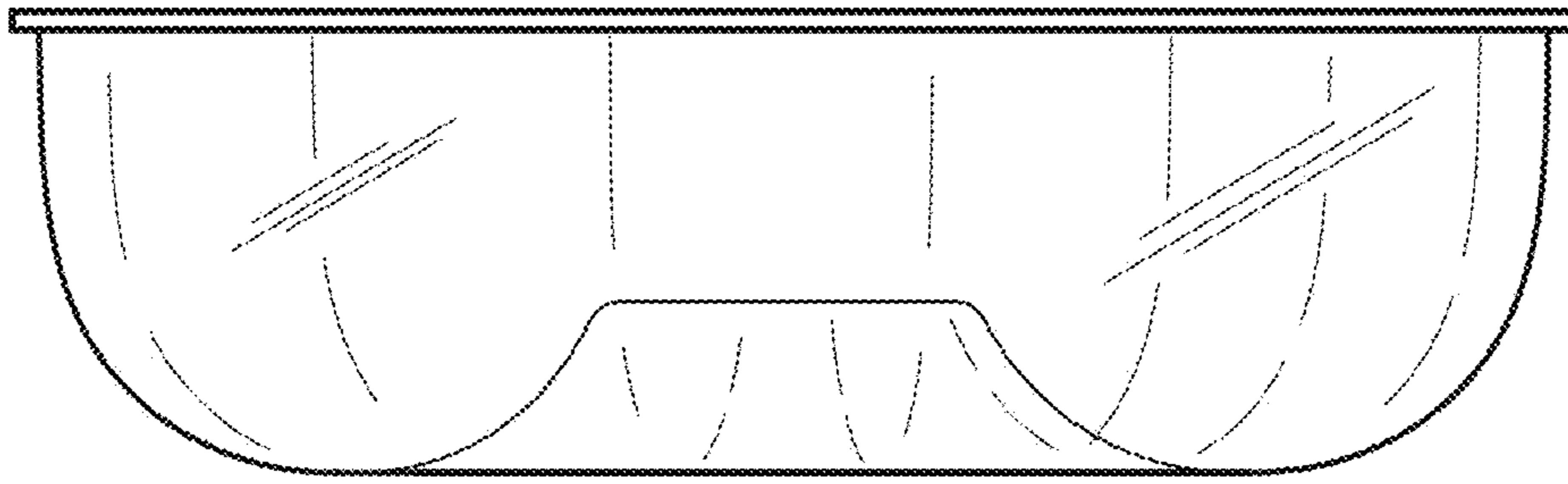


FIG. 1

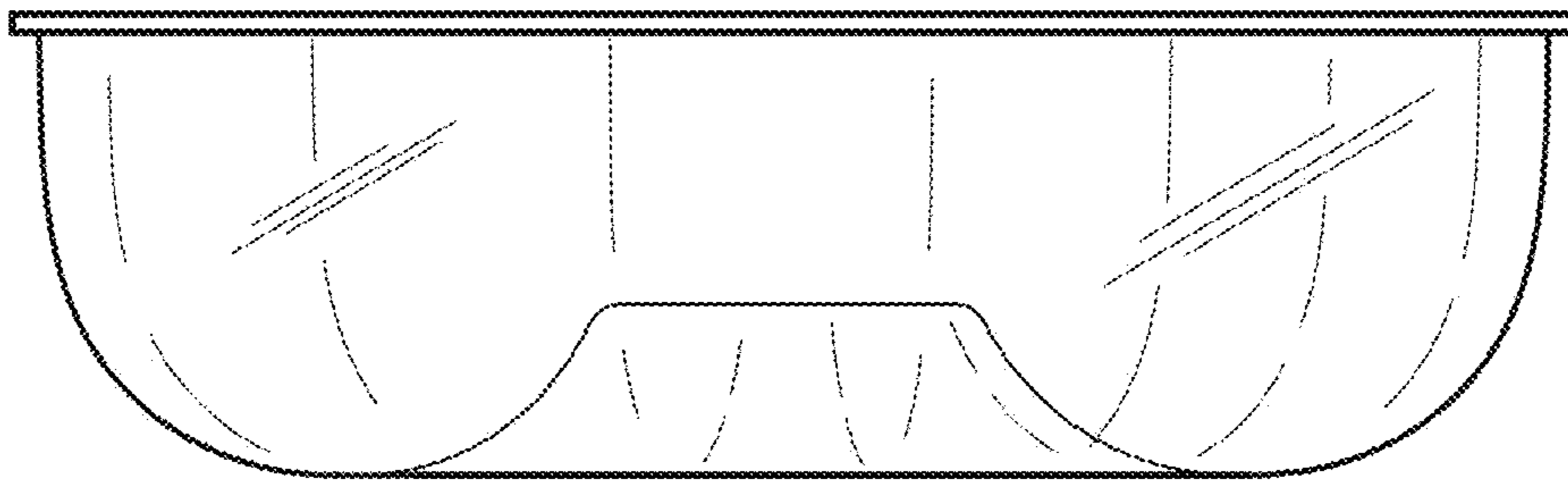


FIG. 2

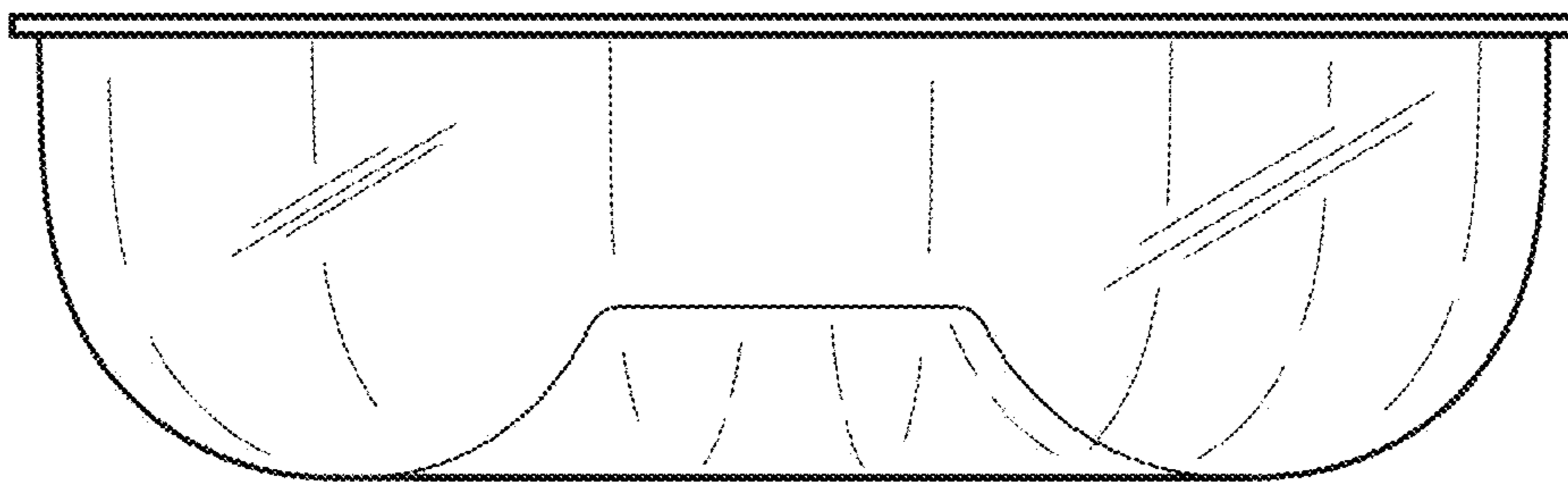


FIG. 3

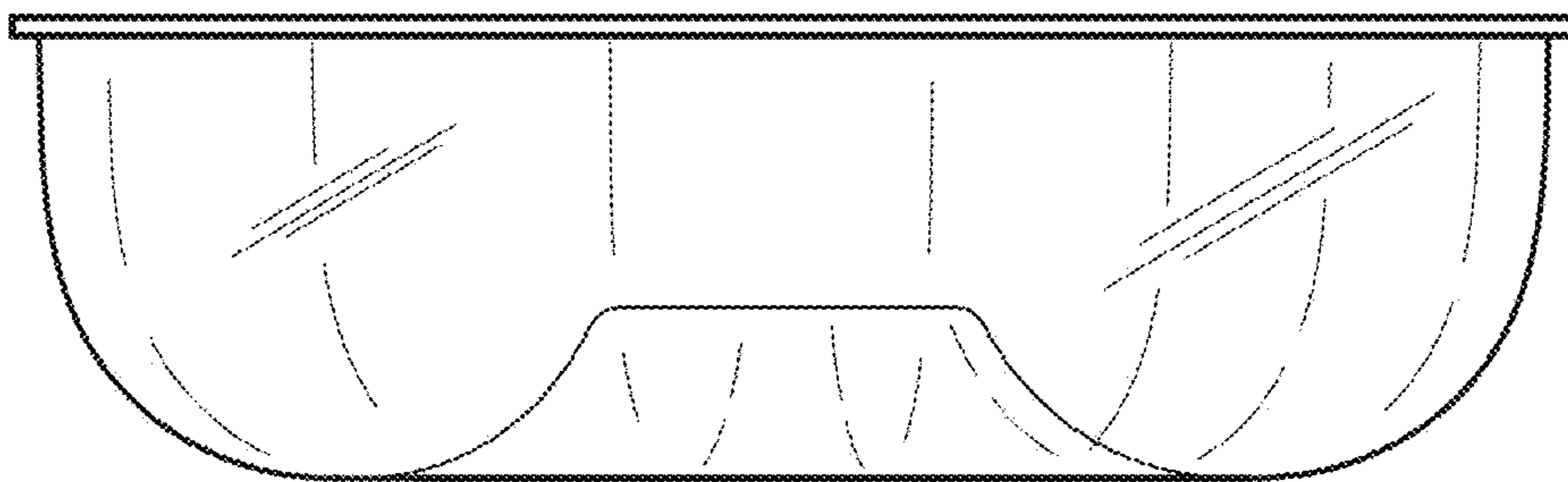


FIG. 4

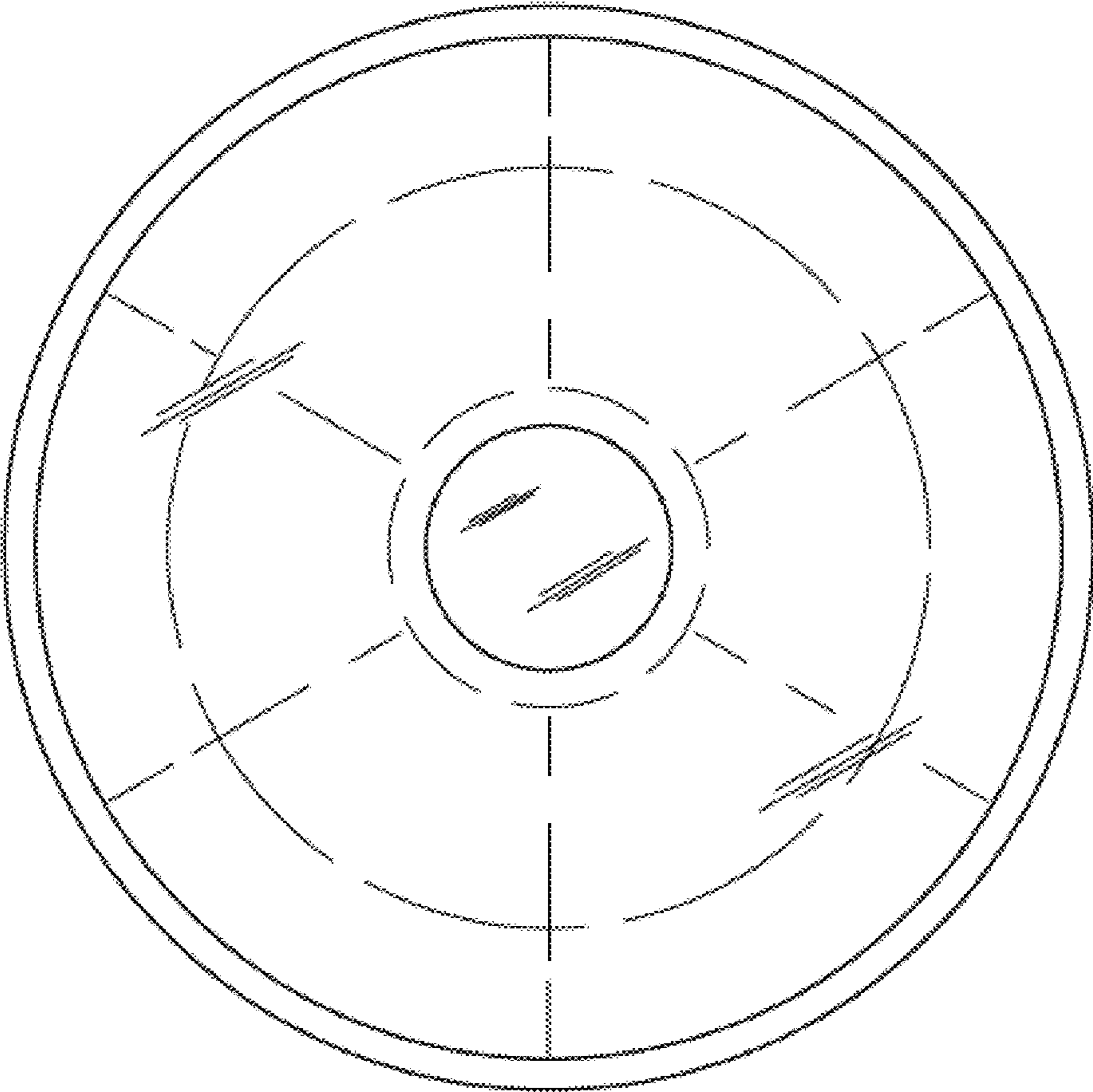


FIG. 5

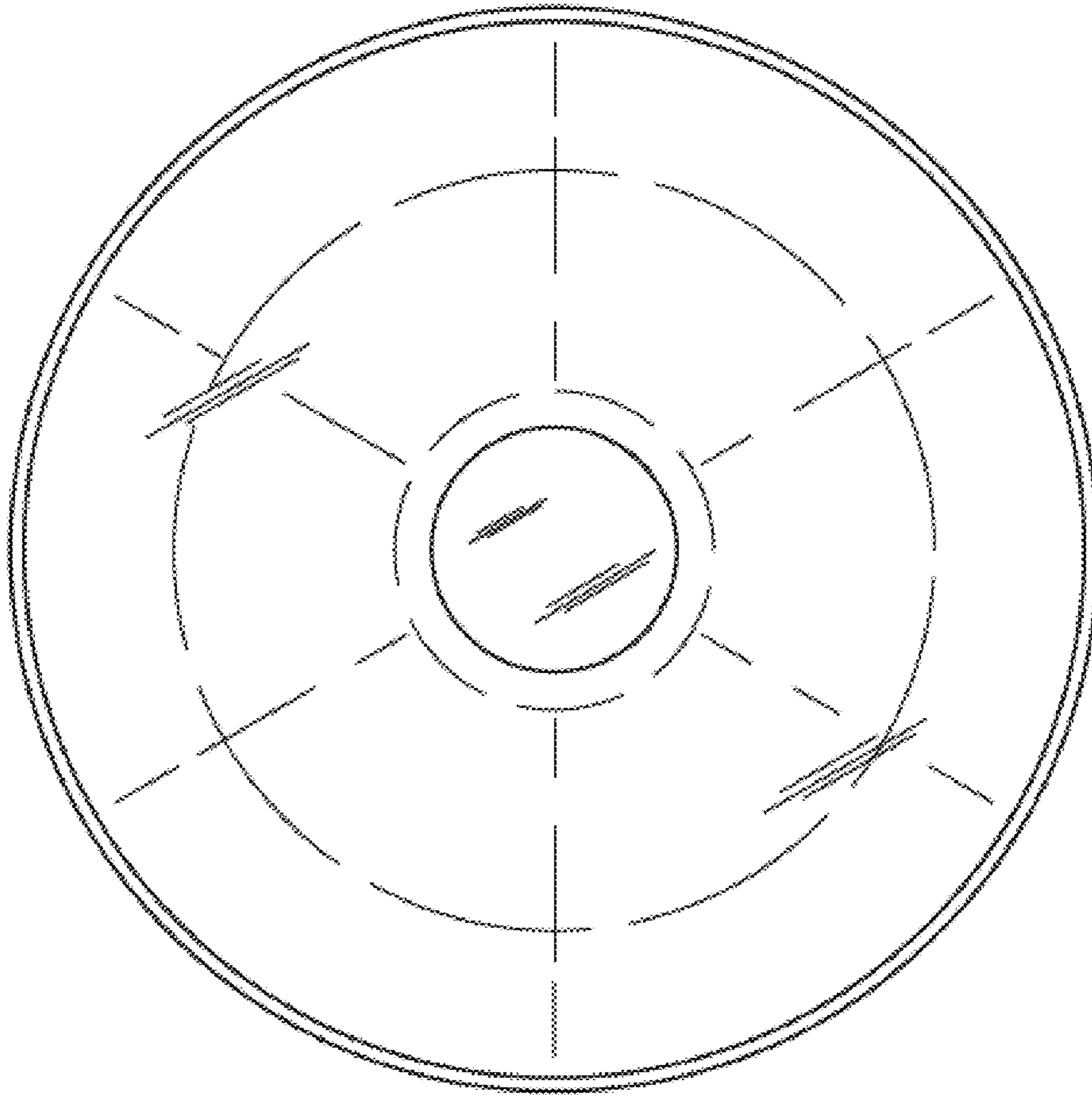


FIG. 6

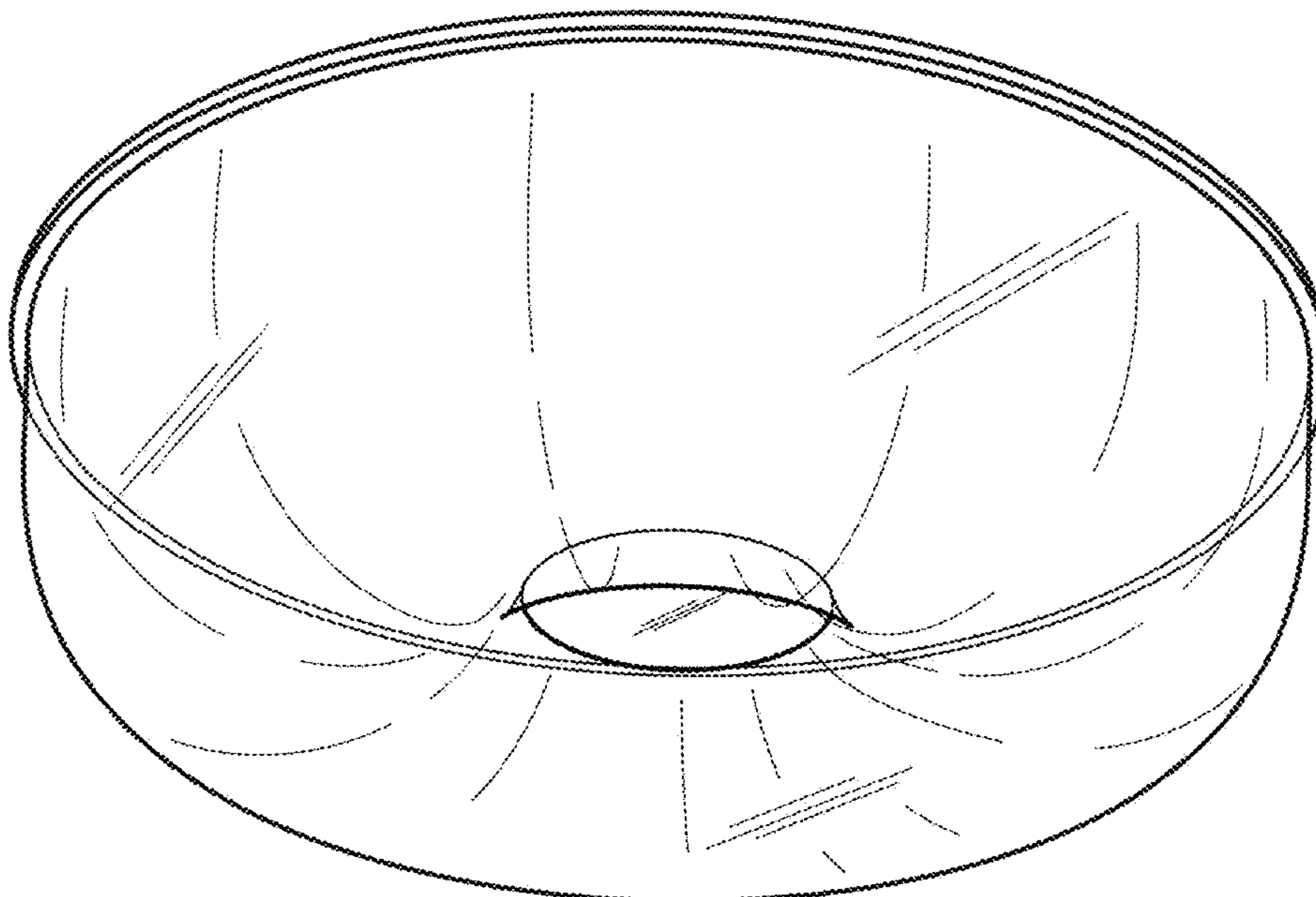


FIG. 7