



US00D872163S

(12) **United States Design Patent**  
**Imai**

(10) **Patent No.:** **US D872,163 S**

(45) **Date of Patent:** **\*\* Jan. 7, 2020**

(54) **DIGITAL CAMERA**

(71) Applicant: **FUJIFILM Corporation**, Tokyo (JP)

(72) Inventor: **Masazumi Imai**, Saitama (JP)

(73) Assignee: **FUJIFILM Corporation**, Tokyo (JP)

(\*\*) Term: **15 Years**

(21) Appl. No.: **29/595,216**

(22) Filed: **Feb. 27, 2017**

(30) **Foreign Application Priority Data**

Aug. 31, 2016 (JP) ..... 2016-018661

(51) **LOC (12) Cl.** ..... **16-05**

(52) **U.S. Cl.**  
USPC ..... **D16/219**

(58) **Field of Classification Search**  
USPC ..... D16/200, 202–206, 208, 209, 218, 219;  
348/294, 373–376; 359/826; 396/6, 301,  
396/529, 535, 539–541  
CPC ..... G03B 15/03; G03B 17/02; G03B 17/04;  
G03B 17/08; G03B 17/56; G03B 19/04;  
H04N 5/2251; H04N 5/2252; H04N  
5/2253; H04N 5/2254; H04N 2101/00  
See application file for complete search history.

(56) **References Cited**

**U.S. PATENT DOCUMENTS**

D415,513 S \* 10/1999 Fujii ..... D16/200  
D425,095 S \* 5/2000 Watarai ..... D16/206  
D542,321 S \* 5/2007 Takahashi ..... D16/202  
D547,786 S \* 7/2007 Tainaka ..... D16/202

D564,560 S \* 3/2008 Funakoshi ..... D16/200  
D568,363 S \* 5/2008 Funakoshi ..... D16/217  
D581,440 S \* 11/2008 Nakamura ..... D16/202  
D697,961 S \* 1/2014 Tanifuji ..... D16/202  
D724,130 S \* 3/2015 Ham ..... D16/202  
D776,743 S \* 1/2017 Nohara ..... D16/219  
D786,331 S \* 5/2017 van Hoff ..... D16/219  
D795,945 S \* 8/2017 Hoshi ..... D16/204  
D816,757 S \* 5/2018 Sakai ..... D16/219  
D821,480 S \* 6/2018 Gioscia ..... D16/219

\* cited by examiner

*Primary Examiner* — Ramzi S Almatrahi

(74) *Attorney, Agent, or Firm* — Sughrue Mion, PLLC

(57) **CLAIM**

The ornamental design for a digital camera, as shown and described.

**DESCRIPTION**

FIG. 1 is a top, front and right side perspective view of a digital camera showing my new design;  
FIG. 2 is a top, rear, and left side perspective view thereof;  
FIG. 3 is a top, rear, and right side perspective view thereof;  
FIG. 4 is a front elevation view thereof;  
FIG. 5 is a rear elevation view thereof;  
FIG. 6 is a top plan view thereof;  
FIG. 7 is a bottom plan view thereof;  
FIG. 8 is a right side elevation view thereof; and,  
FIG. 9 is a left side elevation view thereof.  
The broken lines depict portions of the digital camera in which the design is embodied that form no part of the claimed design. Additionally, the dash-dot lines denote the boundary of the claim and form no part of the claimed design.

**1 Claim, 9 Drawing Sheets**

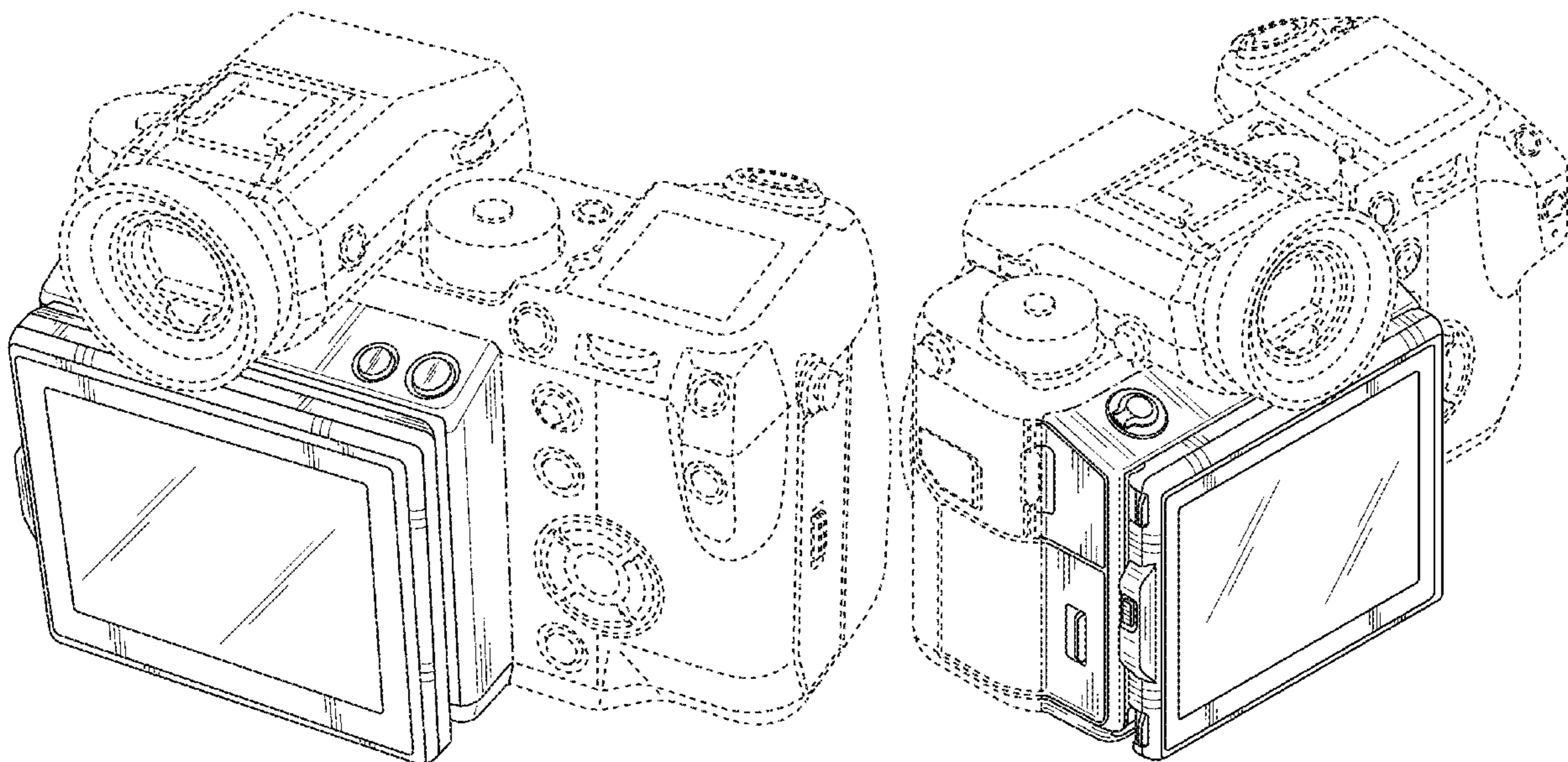


FIG. 1

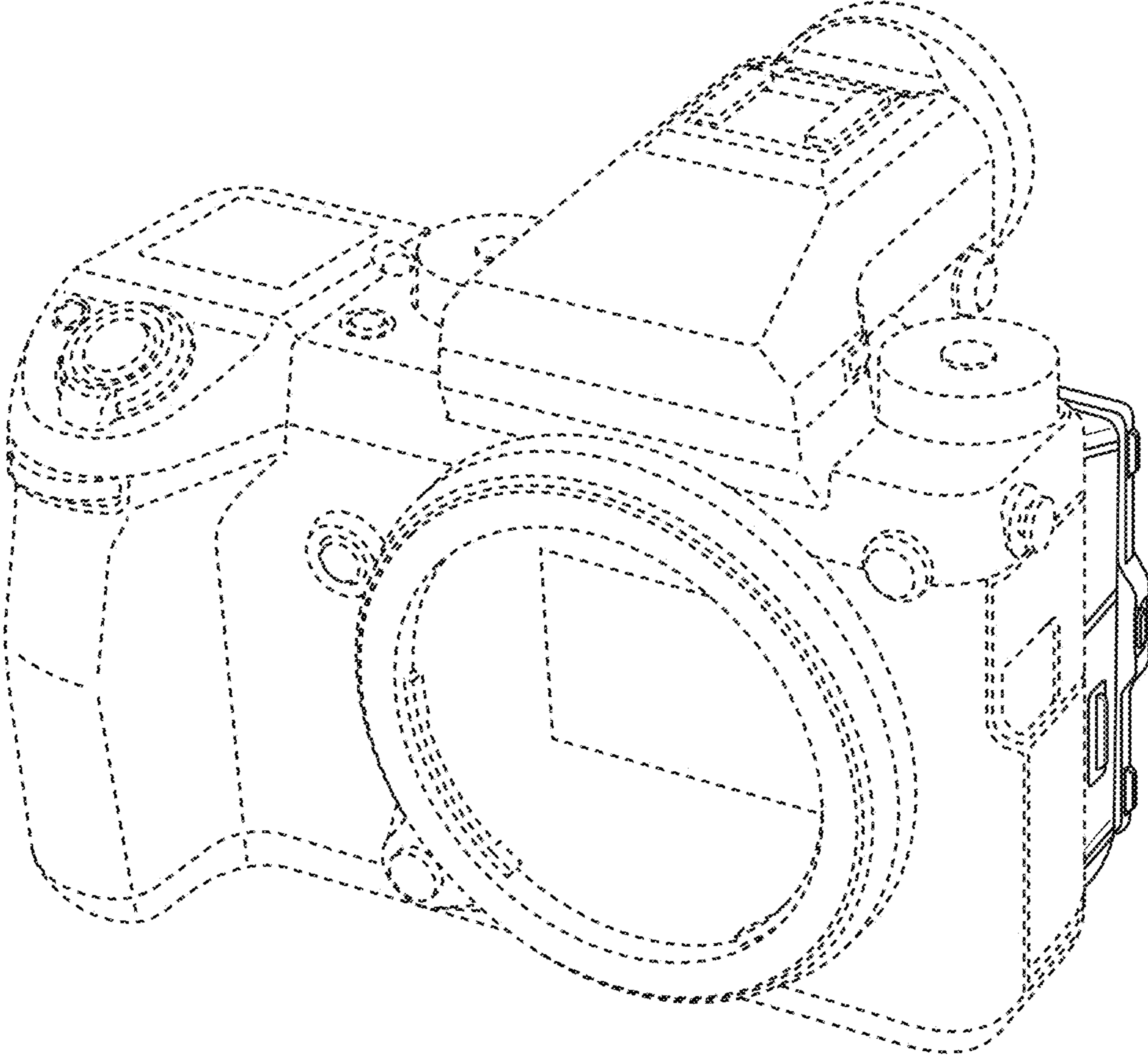


FIG. 2

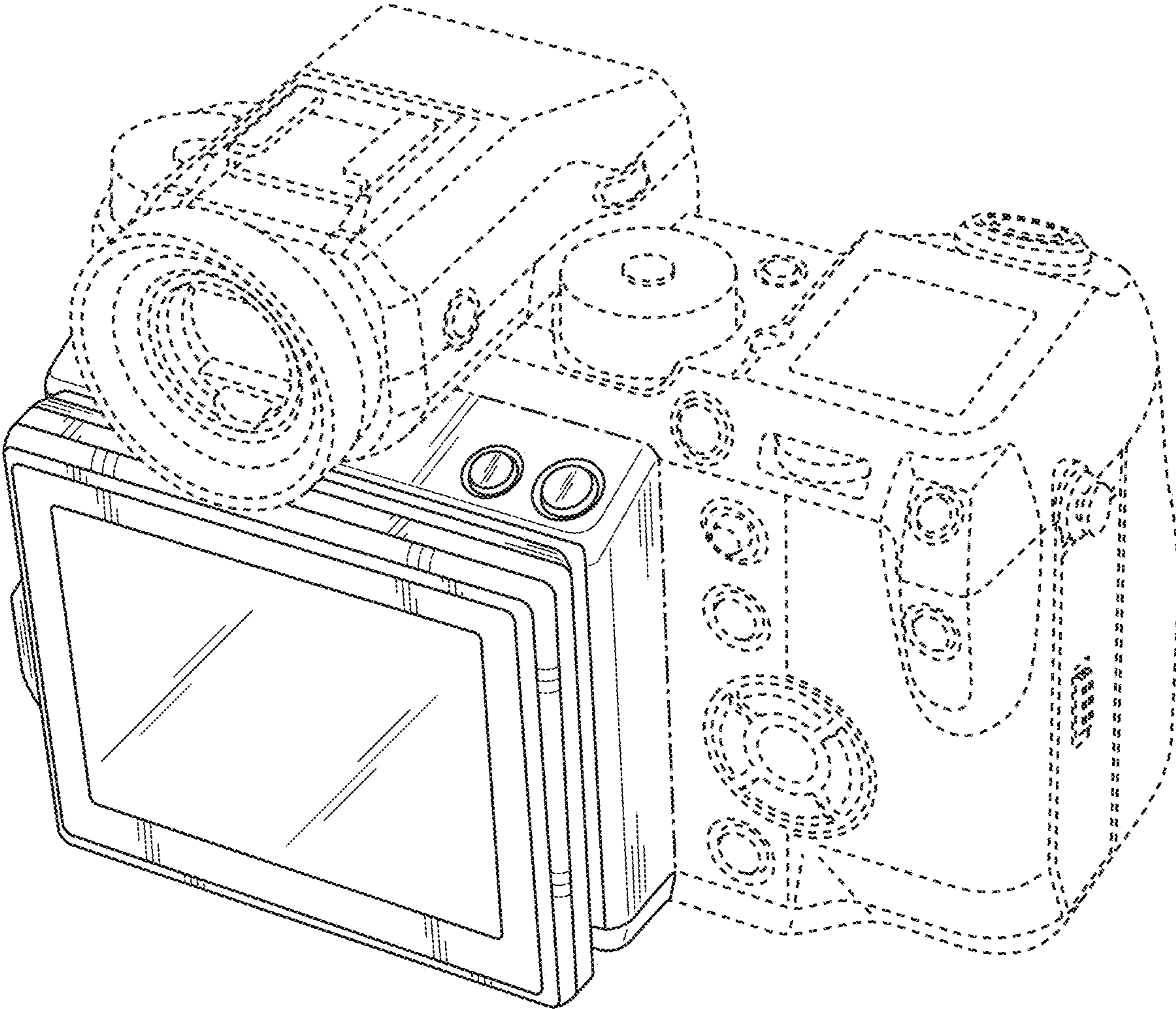
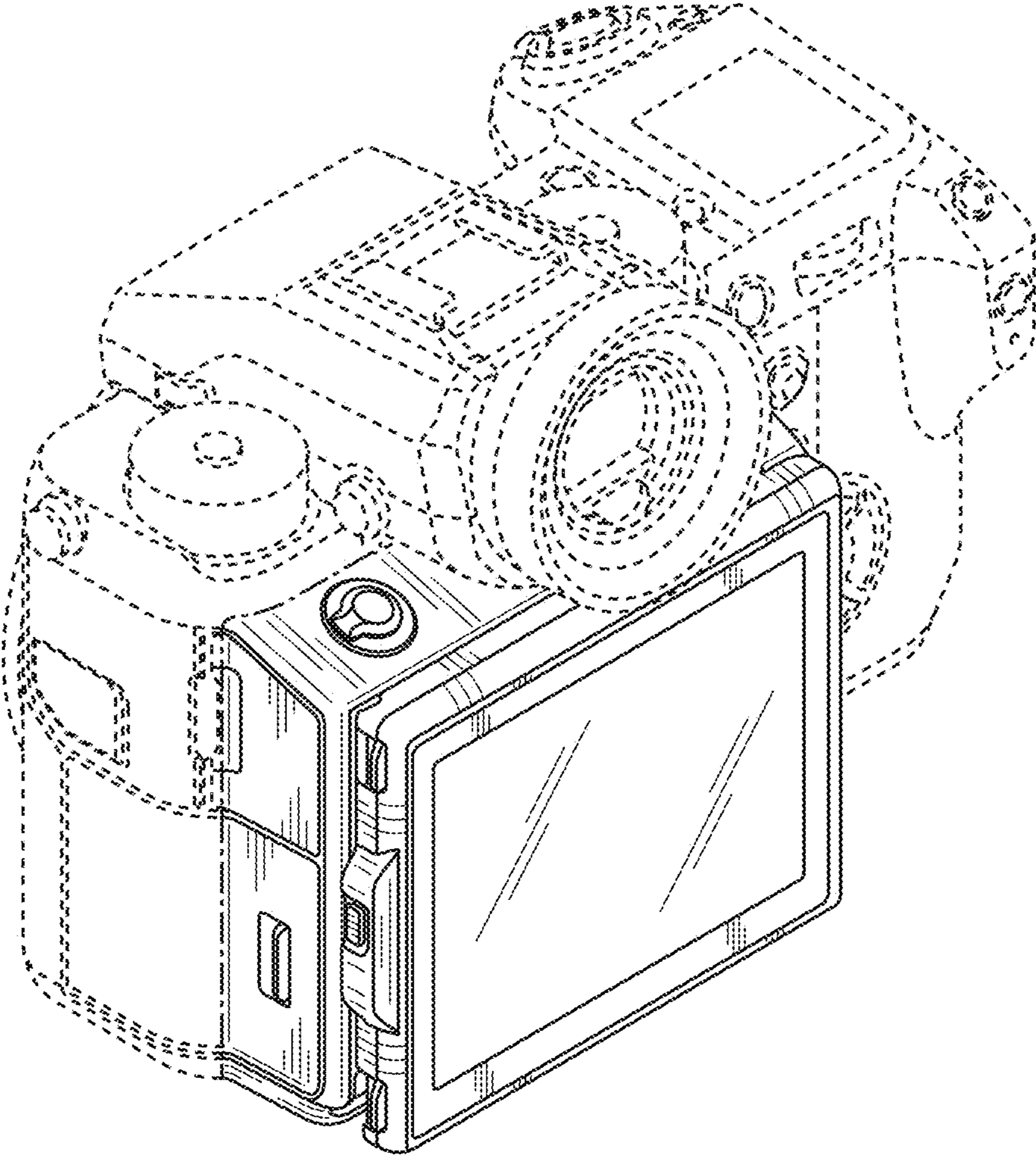


FIG. 3



**FIG. 4**

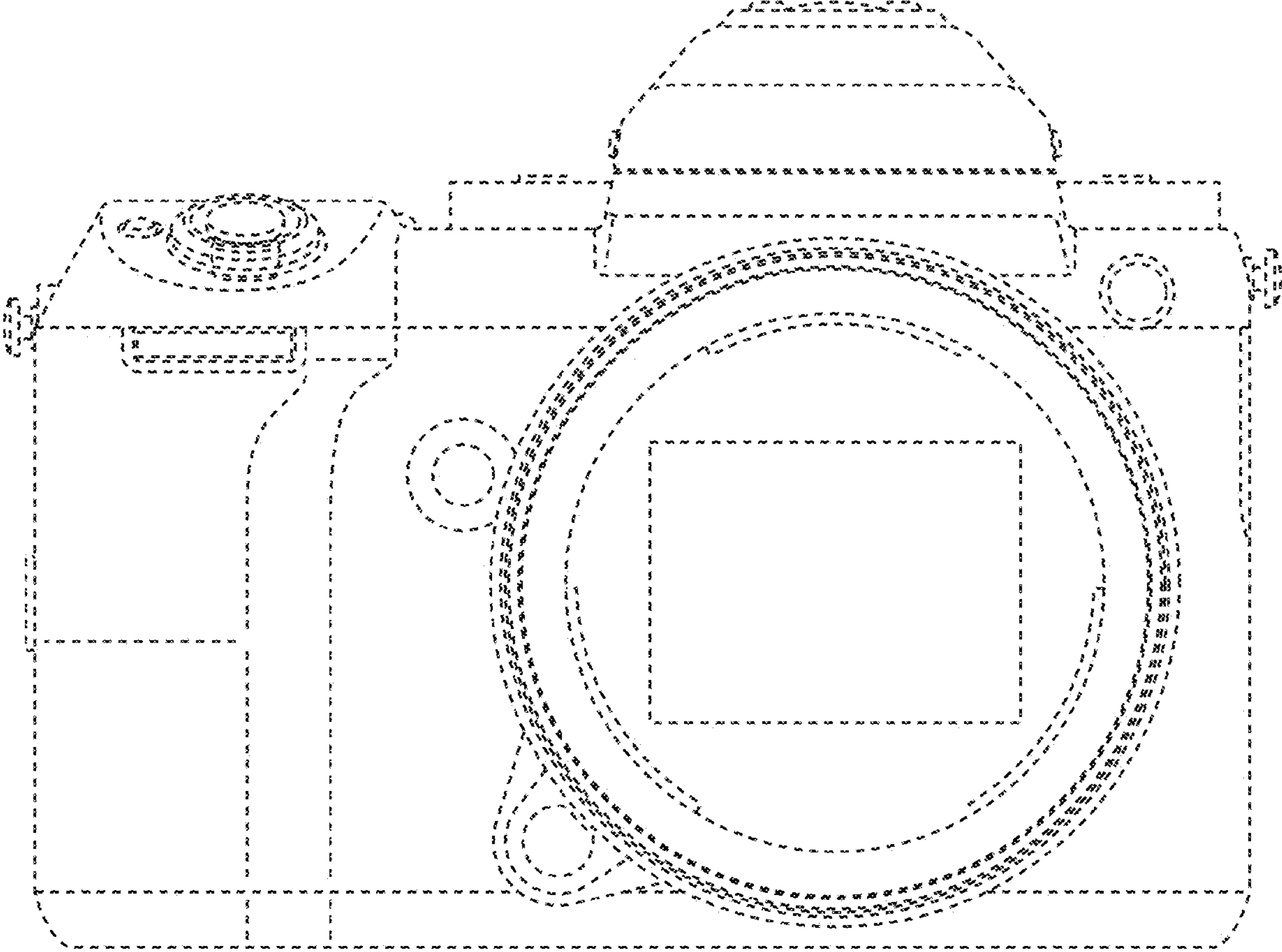


FIG. 5

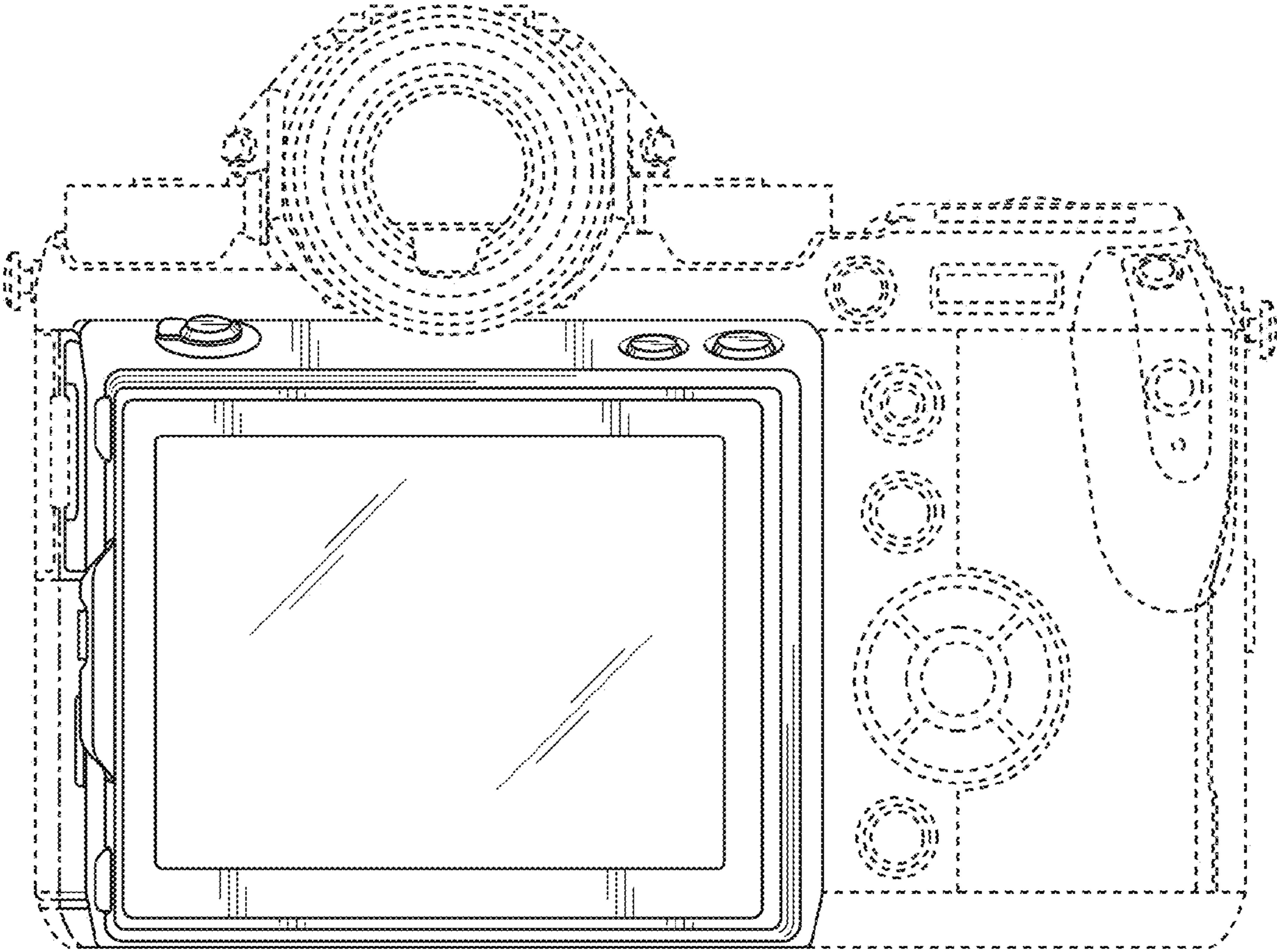
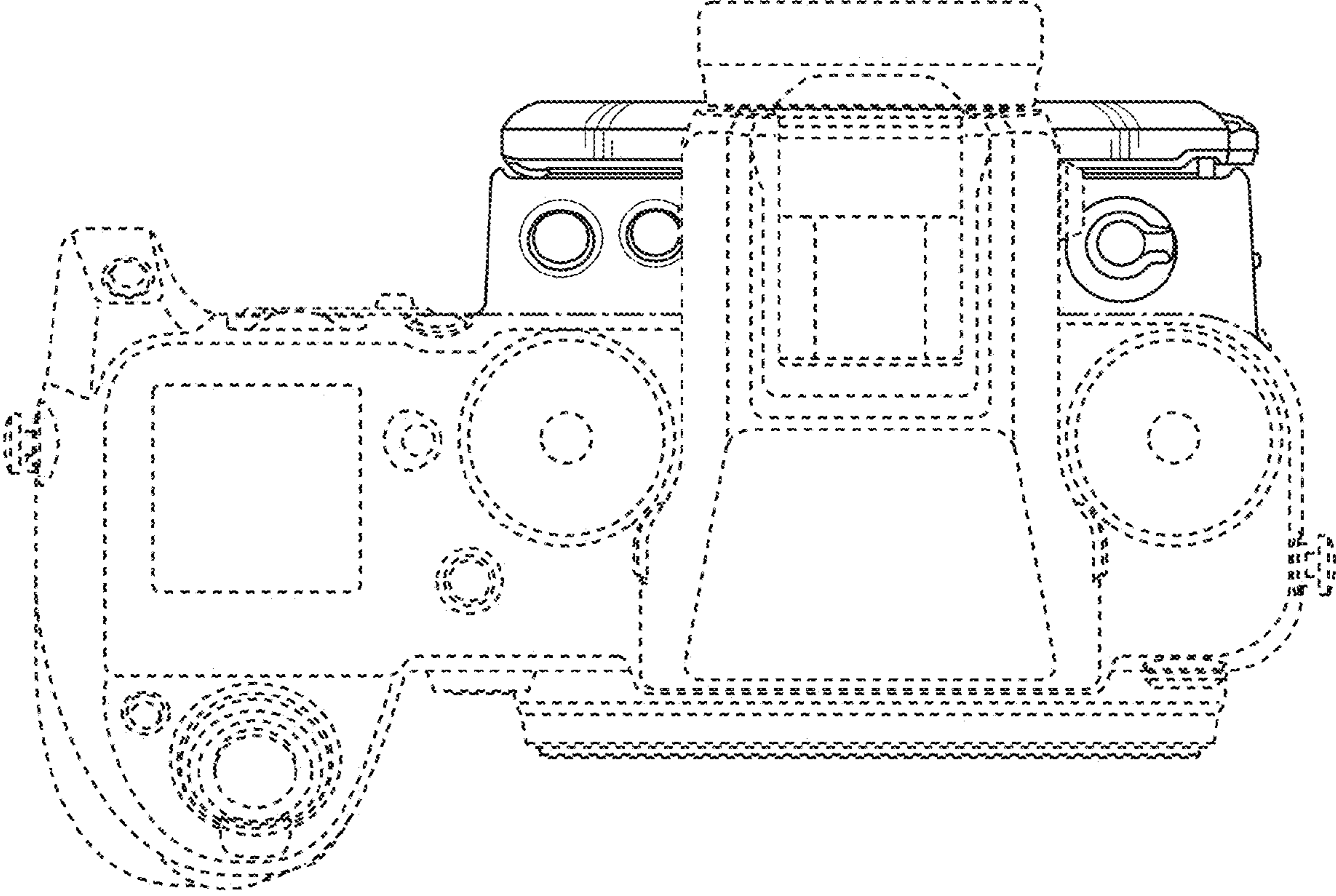


FIG. 6



**FIG. 7**

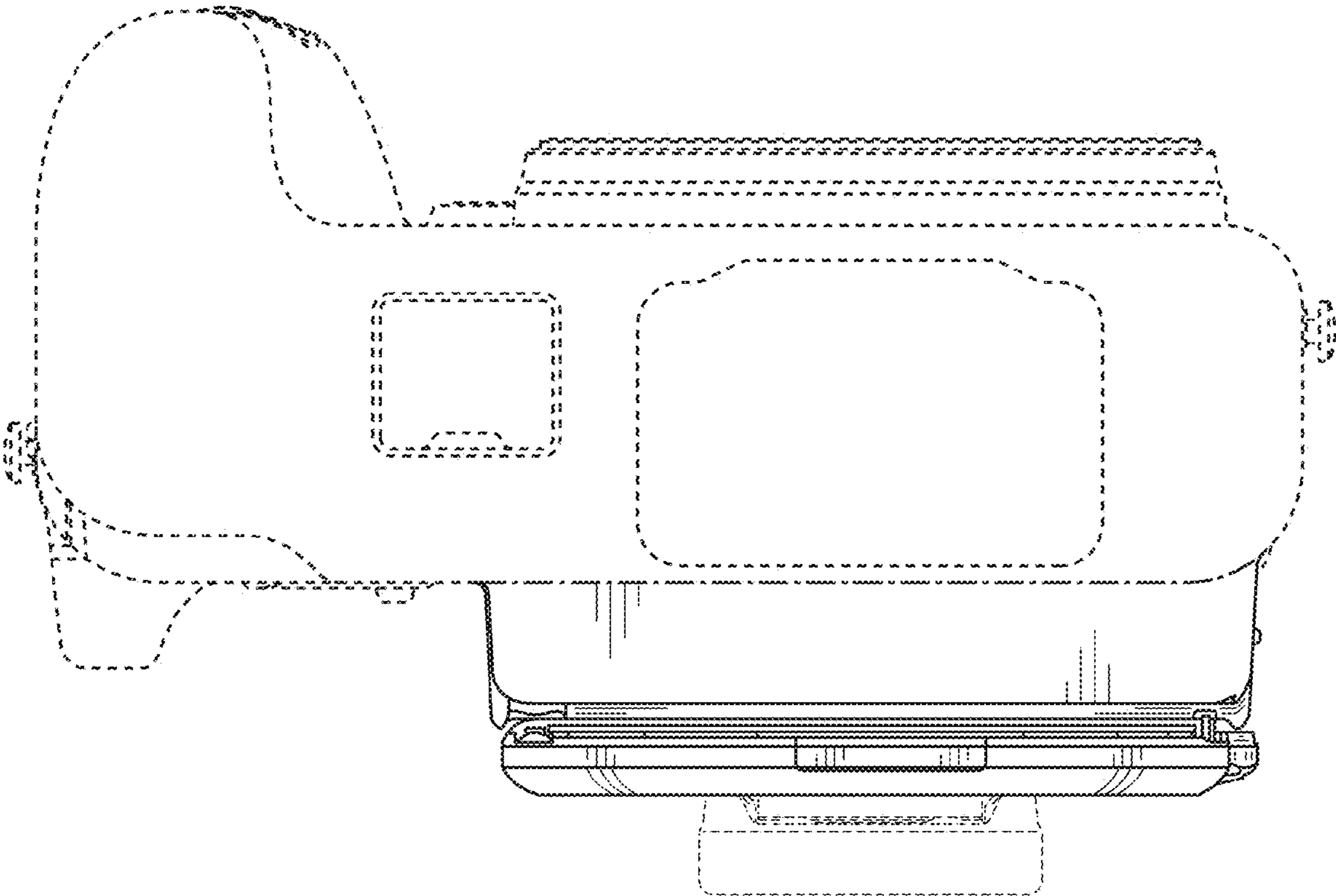




FIG. 8

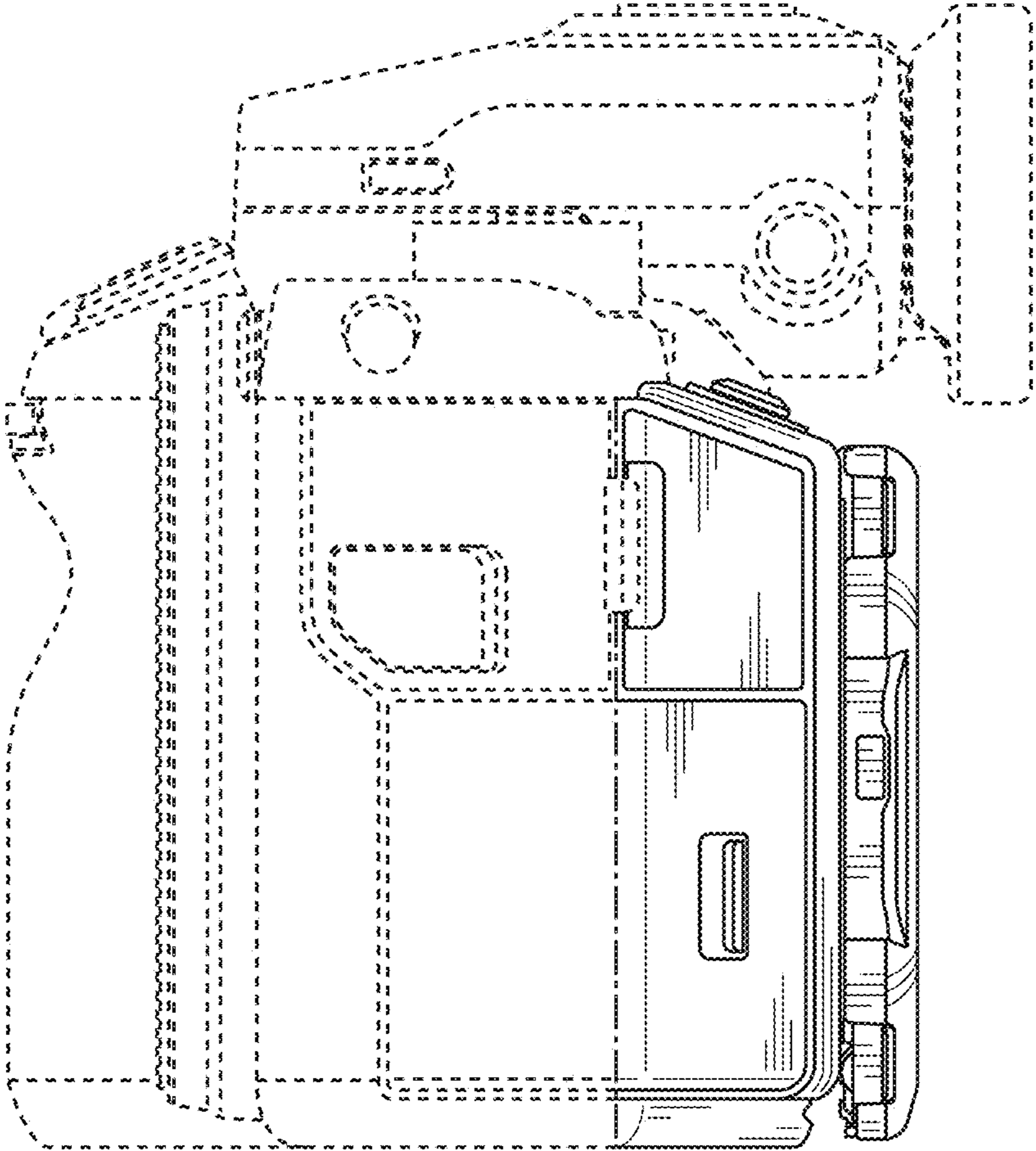


FIG. 9

